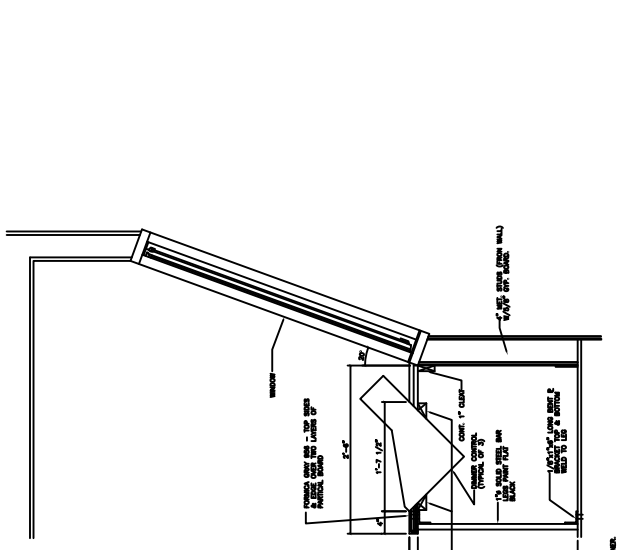
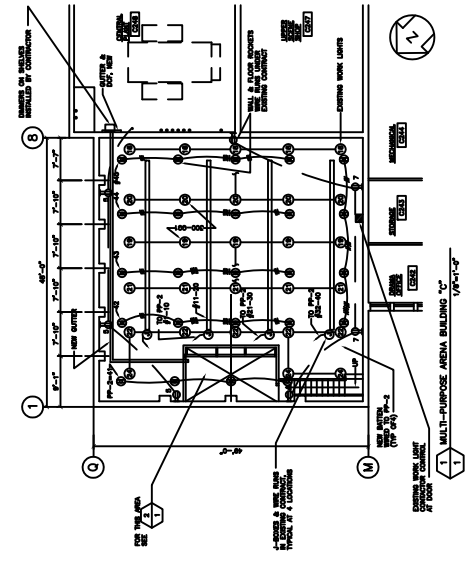
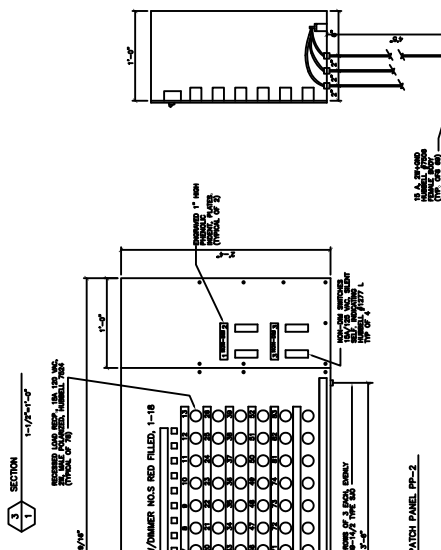


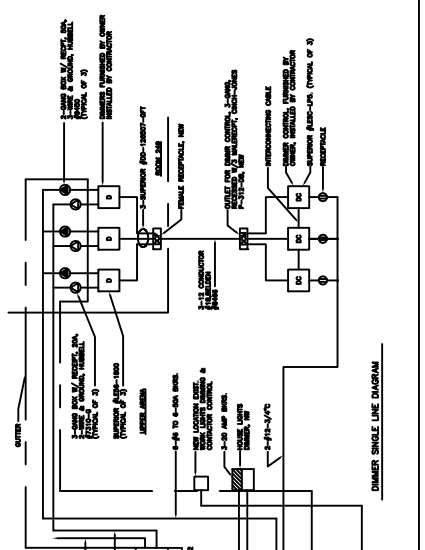
2 CONTROL DETAIL PLAN 3/8"=1'-0"



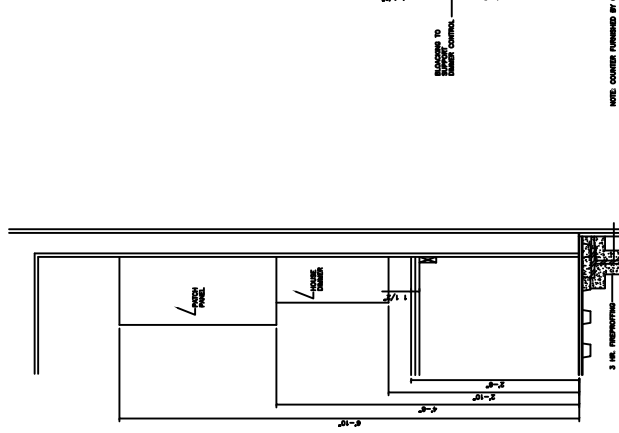
3 SECTION 1-1/2"=1'-0"



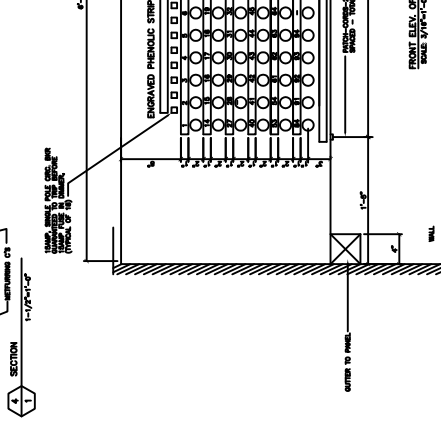
4 SECTION 1-1/2"=1'-0"



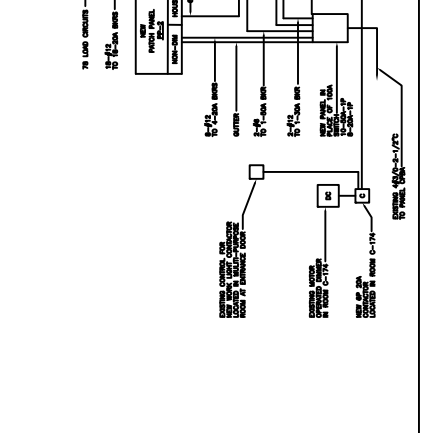
DIMMER SINGLE LINE DIAGRAM



5 SECTION 1-1/2"=1'-0"



6 SECTION 1-1/2"=1'-0"



DIMMER SINGLE LINE DIAGRAM