

TECHNOLOGY SYSTEMS LEGEND

TELECOMMUNICATIONS

- ▽ TELEPHONE OUTLET WITH 3/4" C. AND PULLSTRING TO ACCESSIBLE CEILING SPACE. INSTALL (1) CAT6 CABLE.
- ▽ 1-1/4" C. FOR A/V CABLING. PROVIDE ONE (1) HDMI AND ONE (1) CAT 6 CONNECTION BETWEEN OVERHEAD PROJECTOR AND TEACHERS PODIUM.
- ▽ STANDARD COMMUNICATIONS OUTLET. INSTALL (X) CAT6 CABLES WITH 1" C. TO ACCESSIBLE CEILING SPACE. (X) DENOTES QUANTITY OF CABLES.
- ▽ ALTERNATE COMMUNICATIONS OUTLET:
A= ABOVE COUNTER WITH 1" C. (2) CAT6 CABLES TO ACCESSIBLE CEILING SPACE.
C= FLUSH IN CEILING TILE WITH (2) CAT6 CABLES IN SINGLE GANG BOX. MOUNT BOX TO TILE BRIDGE FLUSH OUTLET BOX MOUNTING BRACKET.
- ▽ WIRELESS ACCESS POINT OUTLET WITH (2) CAT6 CABLES.
- ▽ FLUSH FLOOR COMBINATION POWER/DATA OUTLET WITH 1" C. SEE FLOOR BOX SCHEDULE SHEET ?.

PAGING/INTERCOM

- ▽ BUILDING COMMUNICATION SYSTEM CALL BUTTON WITH 3/4" C. AND PULL STRING TO ACCESSIBLE CEILING SPACE. MOUNT 48" AFF.
- SURFACE MOUNTED SECONDARY CLOCK. COORDINATE MOUNTING HEIGHT WITH ARCHITECTURAL DRAWINGS.
- FLUSH WALL MOUNTED SECONDARY CLOCK. COORDINATE MOUNTING HEIGHT WITH ARCHITECTURAL DRAWINGS.
- FLUSH MOUNTED CEILING EVENT ANNUNCIATION SYSTEM SPEAKER
- FLUSH WALL MOUNTED SPEAKER WITH 1" C. TO ACCESSIBLE CEILING SPACE. HEIGHT AS INDICATED.
- SPEAKER VOLUME CONTROL WITH 3/4" C. AND PULL STRING TO ACCESSIBLE CEILING SPACE. MOUNT 48" AFF.

AUDIO/VIDEO

- TELEVISION OUTLET, INSTALL AT STANDARD OUTLET HEIGHT. U.N.O.
- CEILING MOUNTED PROJECTOR BRACKET FOR OFCI DATA PROJECTOR
- FLUSH MOUNTED AUDIO REINFORCEMENT SPEAKER IN CEILING.
- SURFACE MOUNTED AUDIO REINFORCEMENT SPEAKER ON WALL
- SATELLITE DISH
- ANTENNA
- 8-PORT CATV TAP
- 4-PORT CATV TAP

SECURITY

- WALL MOUNTED ACCESS CONTROL CARD READER
- WALL MOUNTED KEYPAD/CARD READER
- WALL MOUNTED MOTION DETECTION SENSOR
- WALL MOUNTED GLASS BREAK SENSOR
- DOOR POSITION SWITCH/CONTACT
- ELECTRIFIED DOOR LOCKS
- J-BOX CONTAINING POWER SUPPLY FOR DOOR HARDWARE.
- ADA DOOR OPERATION BUTTON
- KEYWAY SWITCH TO DISENGAGE ALARM
- REQUEST TO EXIT DEVICE
- SECURITY CONTROL PANEL
- DIGITAL VIDEO RECORDER
- CEILING MOUNTED MOTION DETECTION SENSOR
- CEILING MOUNTED GLASS BREAK SENSOR
- CCTV CAMERA
Z = ZOOM LENS
P = PAN / TILT
W = WEATHERPROOF ENCLOSURE
H = HOUSING AND LENS HEATER REQUIRED
A = WIDE ANGLE LENS
F = FIXED FOCUS LENS

RACEWAYS

- CONDUIT AND CONDUCTORS ABOVE GRADE
- - - CONDUIT AND CONDUCTORS BELOW GRADE OR SLAB
- CONDUIT DOWN
- CONDUIT UP
- CONDUIT, STUBBED AND CAPPED
- FLEXIBLE CONDUIT
- PULL BOX
- TELEPHONE POWER POLE
- TELEPHONE BACKBOARD
- CABLE RUNWAY, WIDTH AS INDICATED
- WIRE BASKET TYPE CABLE TRAY, WIDTH AS INDICATED

- TTC TELEPHONE CABINET FOR TEMPORARY SERVICES
- T TELECOMMUNICATIONS MAINTENANCE HOLE
- TELEPHONE UTILITY POLE
- TELEPHONE UTILITY POLE WITH GUY WIRE
- HANDHOLE
- XX HANDHOLE WITH ID NUMBER
- VT TELECOMMUNICATIONS VAULT

EQUIPMENT

- MAJOR EQUIPMENT, CABINETS OR PANELS
- EQUIPMENT RACK
- VERTICAL WIRE MANAGEMENT, WIDTH AND DEPTH AS INDICATED

REFERENCE SYMBOLS

- KEYED NOTES
- DETAIL NUMBER AND SHEET LOCATION
- SECTION LETTER AND SHEET LOCATION
- SHOWN AS XXT-7600 READ AS D-T-7600

ABBREVIATIONS/ACRONYMS

- ACI AMERICAN CONCRETE INSTITUTE
- AFD ABOVE FINISHED FLOOR
- AFF ABOVE FINISHED FLOOR
- AIA AMERICAN INSTITUTE OF ARCHITECTS
- ANHW GEL-FILLED UNDERGROUND CABLE
- ANSI AMERICAN NATIONAL STANDARDS INSTITUTE
- ARF ABOVE RAISED FLOOR
- ARMW AIR-FILLED UTP RISER CABLE
- ASTM AMERICAN SOCIETY FOR TESTING AND MATERIALS
- AWG AMERICAN WIRE GAUGE
- BC BARE COPPER
- BLDG BUILDING
- BOC BOTTOM OF CONDUIT
- BOD BOTTOM OF DUCT
- BOM BILL OF MATERIAL
- BOT BOTTOM OF TRAY
- BOV BOTTOM OF VAULT
- BOTT BOTTOM
- C CONDUIT
- CC CONTROL CABLE
- CCTV CLOSED CIRCUIT TELEVISION
- CFCI CONTRACTOR FURNISHED CONTRACTOR INSTALLED
- CFOI CONTRACTOR FURNISHED OWNER INSTALLED
- CLS CEILING
- COL COLUMN
- CONT CONTINUOUS
- COORD COORDINATE
- CMU CONCRETE MASONRY UNIT
- CR COMPUTER ROOM
- CRS COATED RIGID STEEL CONDUIT
- DDC DIRECT DIGITAL CONTROL
- DIA DIAMETER
- DIM DIMENSION
- DIV DIVISION
- DN DOWN
- DTE DATA TERMINAL EQUIPMENT
- DTL DETAIL
- DWG DRAWING
- E EXISTING
- EA EACH
- EF ENTRANCE FACILITY
- EIA ELECTRONIC INDUSTRIES ASSOCIATION
- ELEV, EL ELEVATION
- EMC ELECTROMAGNETIC COMPATIBILITY
- EMI ELECTROMAGNETIC INTERFERENCE
- EMT ELEC. METALLIC TUBING
- ENET ETHERNET NETWORK
- ENT ELEC. NON-METALLIC TUBING
- F FUTURE
- FBO FURNISHED BY OTHERS
- FCTY FACTORY
- FDDI FIBER DISTRIBUTED DATA INTERFACE
- FDR FEEDER
- FDU FIBER OPTIC DISTRIBUTION UNIT

ABBREVIATIONS/ACRONYMS CONT

- FF FINISH FLOOR
- FG FINISH GRADE
- FLR FLOOR
- FMS FACILITY MANAGEMENT SYSTEMS
- FO FIBER OPTIC
- FT FOOT/FEET
- G GROUND
- H HORN
- HB HORIZONTAL BEND
- HH HANDHOLE
- HT HEIGHT
- I/O INPUT/OUTPUT
- IAD IN ACCORDANCE WITH
- IDF INTERMEDIATE DISTRIBUTION FRAME
- IEEE INSTITUTE OF ELECTRICAL AND ELECTRONICS ENGINEERS
- IMC INTERMEDIATE METALLIC CONDUIT
- IN INCHES
- ISDN INTEGRATED SERVICES DIGITAL NETWORK
- ISO INTERNATIONAL ORGANIZATION FOR STANDARDIZATION
- IT INFORMATION TECHNOLOGIES
- LAN LOCAL AREA NETWORK
- LC FIBER OPTIC CONNECTOR
- LED LIGHT EMITTING DIODE
- LMD LIQUIDTIGHT FLEXIBLE METAL CONDUIT
- LNC LIQUIDTIGHT FLEXIBLE NONMETALLIC CONDUIT
- LV LOW VOLTAGE
- MATL MATERIAL
- MAU MULTIPLE ACCESS UNIT
- MAX MAXIMUM
- MEZZ MEZZANINE
- MH MANHOLE
- MHz MEGAHERTZ
- MIN MINIMUM
- MISC MISCELLANEOUS
- MT,MTD MOUNT, MOUNTED
- MTRS FIBER OPTIC CONNECTOR
- N NEW
- NA NOT APPLICABLE
- NEC NATIONAL ELECTRIC CODE
- NEMA NATIONAL ELECTRICAL MANUFACTURERS ASSOCIATION
- NESC NATIONAL ELECTRIC SAFETY CODE
- NEAT NEAR END CROSS TALK
- NFPA NATIONAL FIRE PROTECTION ASSOCIATION
- NIC NOT IN CONTRACT
- NIP NOT IN PROJECT
- NP NAMEPLATE
- NTS NOT TO SCALE
- OC ON CENTER
- OFCI OWNER FURNISHED CONTRACTOR INSTALLED
- OFOI OWNER FURNISHED, OWNER INSTALLED
- OFNR OPTIC FIBER NONCONDUCTIVE RISER
- OTDR OPTICAL TIME DOMAIN REFLECTOMETER
- PB PULL BOX
- PBX PRIVATE BRANCH EXCHANGE
- PNL PANEL
- PR PAIR
- PVC POLYVINYL CHLORIDE
- QTY QUANTITY
- R RISER
- RD REDUNDANT
- REF REFERENCE
- RF RADIO FREQUENCY
- RGS RIGID GALVANIZED STEEL CONDUIT
- RM ROOM
- ROU ROUGH OPENING
- REQD REQUIRED
- SC FIBER OPTIC CONNECTOR
- SCH SCHEDULE
- SCP SECURITY CONTROL PANEL
- SCR SATELLITE COMMUNICATIONS ROOM
- SE STATION EQUIPMENT
- SECT SECTION
- SHT SHEET
- SIM SIMILAR
- SPKR SPEAKER
- ST FIBER OPTIC CONNECTOR
- STD STANDARD
- STP SHIELDED TWISTED PAIR
- SUR SURFACE
- SW SWITCH
- TB TERMINAL BLOCK
- TBB TELECOMMUNICATIONS BONDING BACKBONE TO BE DETERMINED
- TBD TELECOMMUNICATIONS GROUNDING BUS BAR
- TGB TELECOMMUNICATIONS GROUNDING BUS BAR
- TIA TELECOMMUNICATIONS INDUSTRY ASSOCIATION
- TMGB TELECOMMUNICATIONS MAIN GROUNDING BUS BAR
- TO TELECOMMUNICATIONS OUTLET
- TOP TOP OF PARAPET
- TYP TYPICAL
- UL UNDERWRITERS LABORATORIES, INC.
- UNO UNLESS NOTED OTHERWISE
- UPS UNINTERRUPTIBLE POWER SUPPLY
- UTP UNSHIELDED TWISTED PAIR
- VIB VERTICAL INSIDE BEND
- VOB VERTICAL OUTSIDE BEND
- VERFY VERIFY
- W/ WITH
- W/O WITHOUT
- WAN WIDE AREA NETWORK
- WP WEATHERPROOF
- 50/250 LOOSE TUBE GEL FILLED UNDERGROUND FIBER OPTIC CABLE
- 50/900 TIGHT BUFFERED RISER FIBER OPTIC CABLE
- 50/900P TIGHT BUFFERED PLENUM FIBER OPTIC CABLE
- 8.3/900 TIGHT BUFFERED RISER FIBER OPTIC CABLE
- 50/8.3/900 HYBRID CABLE COMBINED MULTIMODE AND SINGLE MODE TIGHT BUFFERED FIBER OPTIC CABLE
- 50/8.3/250 HYBRID CABLE COMBINED MULTIMODE AND SINGLE MODE LOOSE TUBE GEL FILLED UNDERGROUND FIBER OPTIC CABLE

GENERAL TECHNOLOGY NOTES

- A. THIS IS A STANDARD LEGEND SHEET. SOME SYMBOLS OR ABBREVIATIONS MAY APPEAR ON THIS SHEET AND NOT ON THE PROJECT DRAWINGS.
- B. COMMUNICATIONS RACEWAYS, TRAYS, AND OUTLETS ARE SHOWN DIAGRAMMATICALLY. LOCATIONS ARE APPROXIMATE UNLESS SPECIFICALLY DIMENSIONED. THE SUBCONTRACTOR IS RESPONSIBLE FOR FIELD COORDINATING ALL WORK WITH ARCHITECTURAL, POWER/LIGHTING, MECHANICAL, FURNITURE SUBCONTRACTOR, AND OTHERS.
- C. CONSTRUCTION DETAILS SHOWN ON DRAWINGS SHOW TYPICAL INSTALLATION UNLESS NOTED OTHERWISE, AND APPLY TO ALL COMMUNICATIONS WORK INCLUDED IN THE SUMMARY OF WORK FOR THIS PACKAGE EVEN THOUGH NOT SPECIFICALLY REFERENCED ON THE PLAN DRAWINGS.
- D. THE CONTRACTOR SHALL INSTALL PULLSTRINGS IN ALL CONDUITS AT THE TIME OF CONDUIT INSTALLATION.

BC | A

architecture
planning
interiors

Bunton Clifford Associates, Inc.
210 Hammond Ave.
Fremont, California 94539
[T] 510.445.1000
[F] 510.445.1005
www.BCAincOnline.com

PROJECT 2007-0731
CONTACT Valeria Torres

INTERFACE ENGINEERING

717 Market Street
Suite 500
San Francisco, CA 94103
TEL 415.489.7240
FAX 415.489.7299
www.interfaceengineering.com

ARCHITECT ENGINEER

REGISTERED ARCHITECT
No. 019855
Ren: 09/30/11

REGISTERED PROFESSIONAL ENGINEER
No. E16906
Ren: 09/30/11

1. This sheet is part of a set and is not to be used alone.
2. This sheet is not to be used for construction unless the architect's stamp and signature appear on the drawings and the status box indicates drawings have been released for construction.
3. These plans and prints thereof, as instruments of service, are owned by the architect and are for use on this project only. Reproduction and/or distribution without the prior written consent of the architect is forbidden.
4. Copyright Bunton Clifford Associates, 2007.

REVISIONS	REMARKS	DATE
1	ADDENDUM NO. 1	09/18/09

DRAWING STATUS	DATE
● DSA PLAN CHECK	08/29/09
● DSA BACK CHECK	01/22/09
● BIDDING (BID #89299)	09/18/09
○ CONSTRUCTION	

FILE NO. 41-C1

IDENTIFICATION STAMP
DN. OF THE STATE ARCHITECT

01- 110074

AC ___ FLS ___ SS ___

DATE: _____

BUILDINGS 5 & 6 RENOVATIONS

San Mateo County Community College District

BID ADDENDA

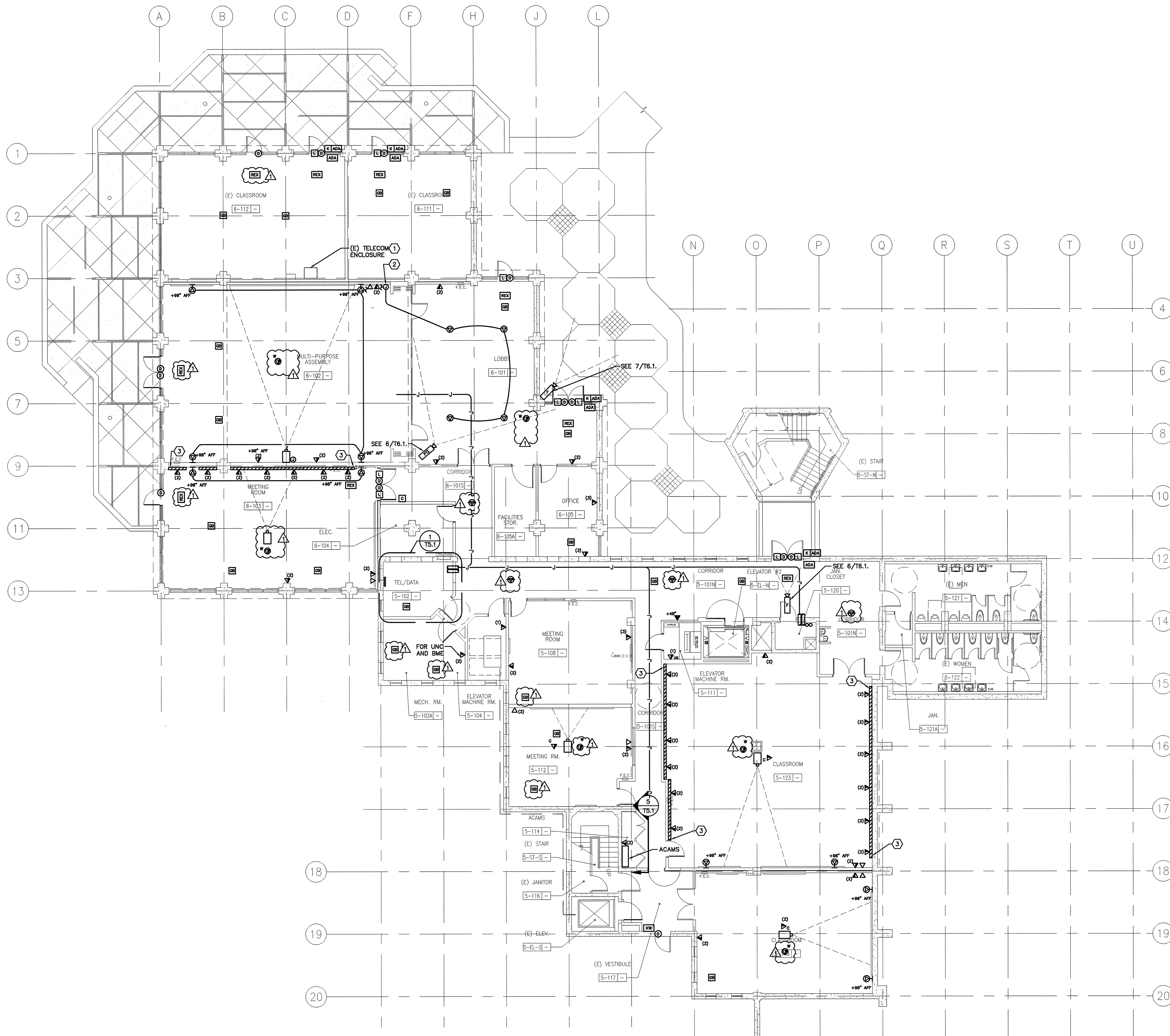
CAÑADA COLLEGE
4200 Farm Hill Boulevard
Redwood City, CA 94061

TECHNOLOGY SYMBOL LIST

SHEET INDEX

T0.1	TECHNOLOGY SYMBOL LIST
T4.1	TECHNOLOGY - FIRST FLOOR
T4.2	TECHNOLOGY - SECOND FLOOR
T4.3	TECHNOLOGY - THIRD FLOOR
T5.1	ENLARGED FLOOR PLANS AND ELEVATIONS
T6.1	TECHNOLOGY DETAIL SHEET

Date	Drawing Number
08/29/08	
Scale	T0.1
AS NOTED	
Project Number	07013

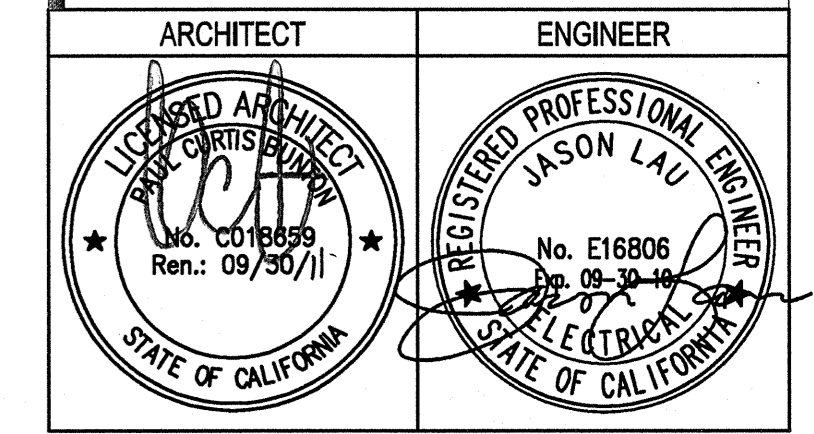


- SHEET KEYNOTES**
- PULL BACK (E) BACKBONE CABLES GOING TO THIS TELECOM ENCLOSURE AND REDIRECT THEM TO THE (N) TR5.1 (ROOM 5-102).
 - PROVIDE SPEAKER SELECTION SWITCH ALLOWING ROOMS 6-101 AND 6-102 TO BE CONTROLLED SEPARATELY OR ALL TOGETHER.
 - SEE DETAIL 6/TS.1.

1 TECHNOLOGY - FIRST FLOOR
 SCALE: 1/8"=1'-0"

Bunton Clifford Associates, Inc.
 210 Hammond Ave.
 Fremont, California 94539
 [T] 510.445.1000
 [F] 510.445.1005
 www.BCAincOnline.com

PROJECT 2007-0731
 CONTACT Valeria Torres
INTERFACE
 ENGINEERING
 717 Market Street
 Suite 500
 San Francisco, CA 94103
 TEL 415.489.7240
 FAX 415.489.7289
 www.interfaceengineering.com



GENERAL NOTES

- This sheet is part of a set and is not to be used alone.
- This sheet is not to be used for construction unless the architect's stamp and signature appear on the drawings and the status box indicates drawings have been released for construction.
- These plans and prints thereof, as instruments of service, are owned by the architect and are for use on this project only. Reproduction and/or distribution without the prior written consent of the architect is forbidden.
- Copyright Bunton Clifford Associates, 2007

REMARKS	DATE
▲ ADDENDUM NO. 1	08/18/08
▲	
▲	
▲	
▲	
▲	
▲	

DRAWING STATUS	DATE
● DISALLOW CHECK	08/29/08
● DISALLOW CHECK	01/22/09
● BIDDING (BID #86659)	09/18/09
○ CONSTRUCTION	

FILE NO. 41-C1
 IDENTIFICATION STAMP
 DIV. OF THE STATE ARCHITECT
 01-110074
 AC _____ FLS _____ SS _____
 DATE _____

**BUILDINGS 5 & 6
 RENOVATIONS**
 San Mateo County Community
 College District

BID ADDENDA

CAÑADA COLLEGE
 4200 Farm Hill Boulevard
 Redwood City, CA 94061

TECHNOLOGY - FIRST FLOOR

Date 08/29/08
 Scale AS NOTED
 Project Number 07013
 Drawing Number **T4.1**

GENERAL NOTES
1. This sheet is part of a set and is not to be used alone.
2. This sheet is not to be used for construction unless the architect's stamp and signature appear on the drawings and the status box indicates drawings have been released for construction.
3. These plans and notes thereof, as instruments of service, are owned by the architect and are for use on this project only. Reproduction and/or distribution without the prior written consent of the architect is forbidden.
4. Copyright Bunton Clifford Associates, 2007

REVISIONS	REMARKS	DATE
1	ADDENDUM NO. 1	08/18/09

DRAWING STATUS	DATE
● DSA PLAN CHECK	08/28/08
● DSA BACK CHECK	01/22/09
● BIDDING (BID #86593)	08/18/09
○ CONSTRUCTION	

FILE NO. 41-C1

IDENTIFICATION STAMP
DIV. OF THE STATE ARCHITECT

01- 110074

AC: _____
DATE: _____

BUILDINGS 5 & 6 RENOVATIONS

San Mateo County Community
College District

BID ADDENDA

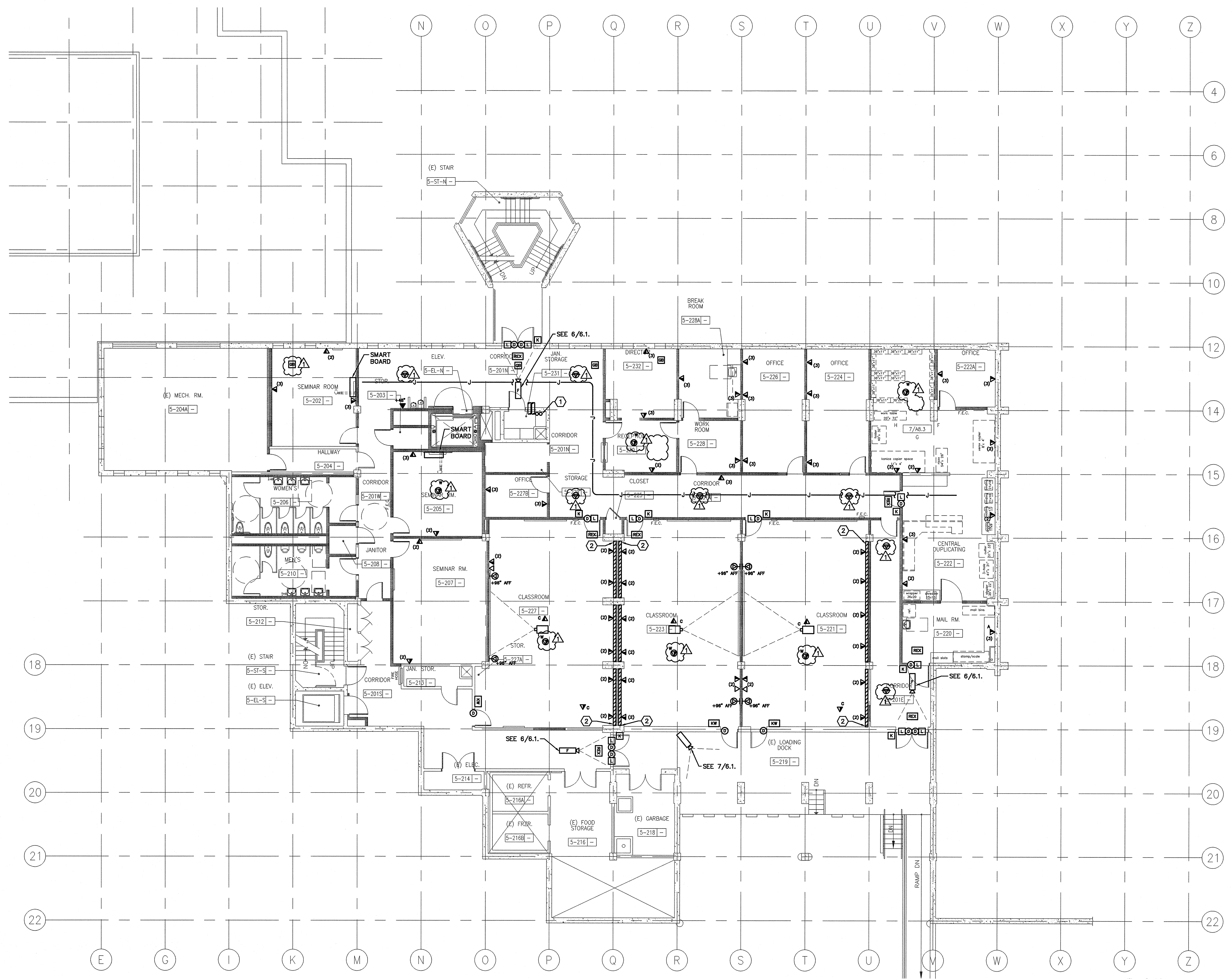
CAÑADA COLLEGE

4200 Farm Hill Boulevard
Redwood City, CA 94061

TECHNOLOGY - SECOND FLOOR

SHEET KEYNOTES

- ① (2) 4" CONDUIT SLEEVES IN CEILING FROM ROOM 302 AND IN FLOOR TO ROOM 120.
- ② SEE DETAIL 6/75.1.



1 TECHNOLOGY - SECOND FLOOR

0 4' 8' 16'

SCALE: 1/8"=1'-0"

REMARKS	DATE
ADDENDUM NO. 1	08/18/09

DRAWING STATUS	DATE
● DSA PLAN CHECK	08/28/08
● DSA BACK CHECK	01/22/09
● BIDDING (BID #88926)	09/18/09
○ CONSTRUCTION	

FILE NO. 41-C1
REGISTRATION STAMP
DIV. OF THE STATE ARCHITECT
01- 110074
AC FLS SS
DATE

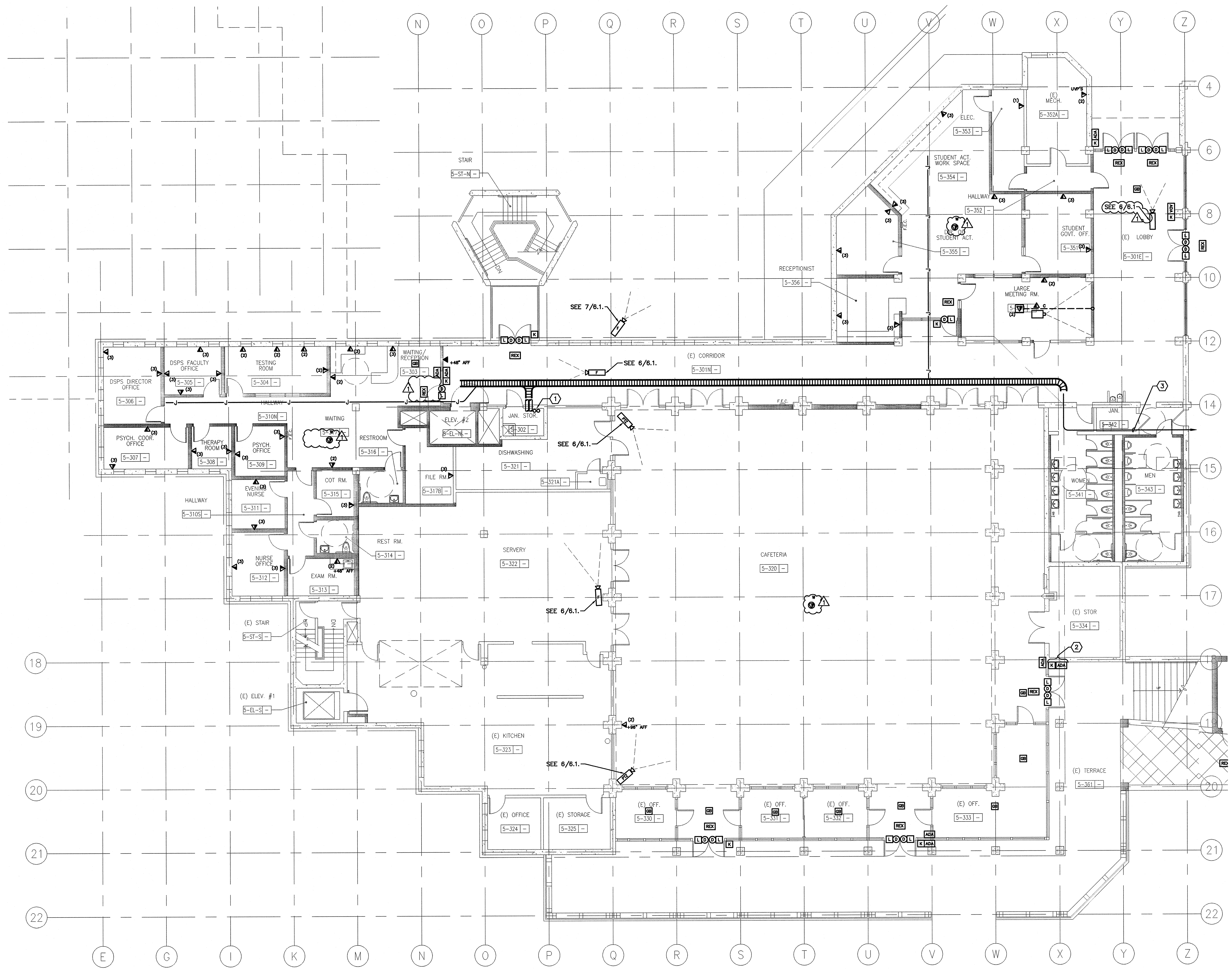
**BUILDINGS 5 & 6
RENOVATIONS**

San Mateo County Community
College District

BID ADDENDA

CAÑADA COLLEGE
4200 Farm Hill Boulevard
Redwood City, CA 94061

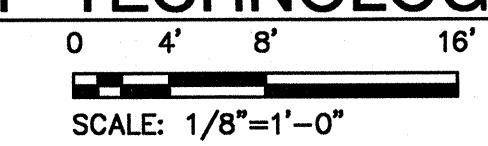
TECHNOLOGY - THIRD FLOOR

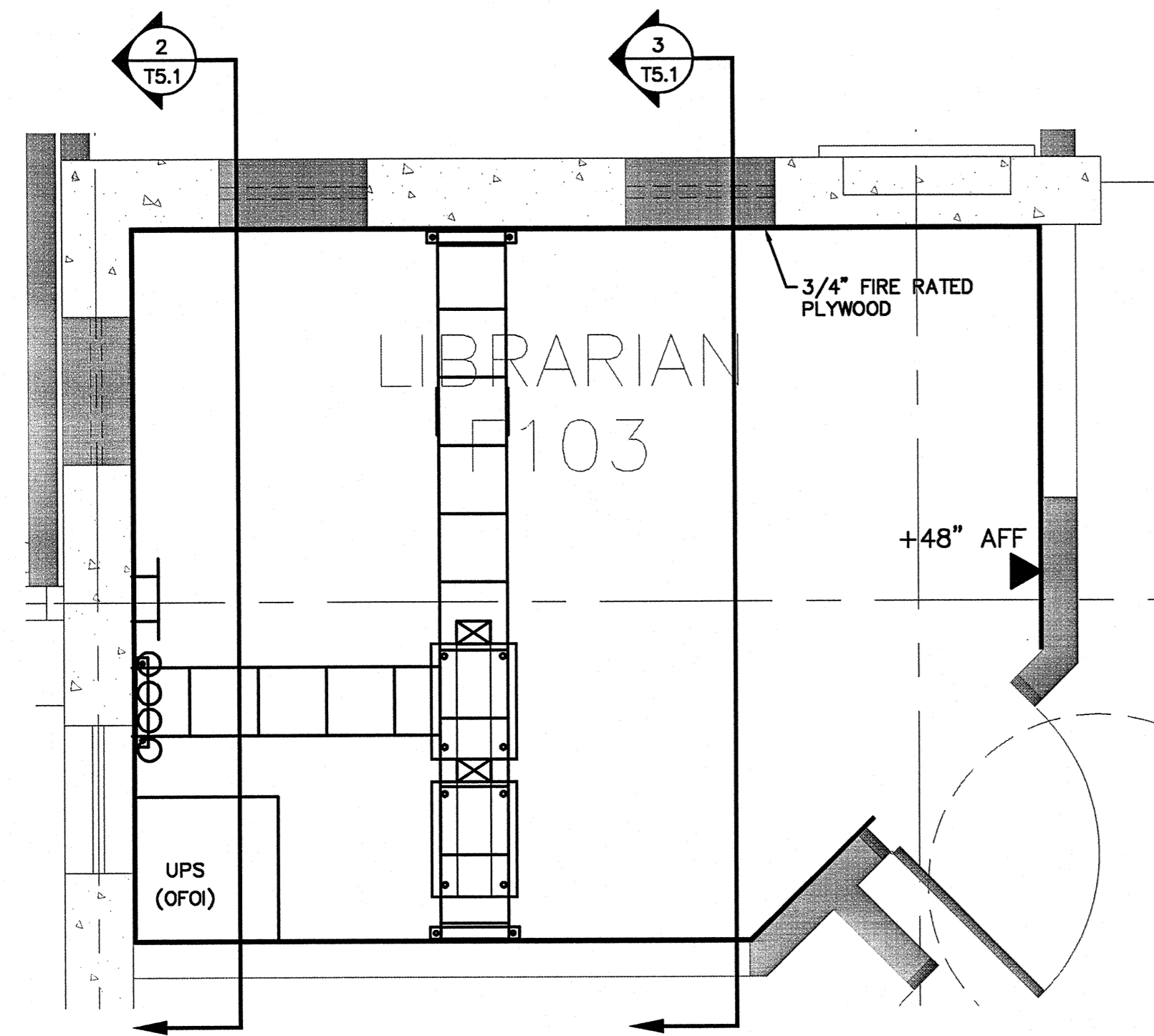


SHEET KEYNOTES

- (1) 2" 4" CONDUITS TO SECOND FLOOR ROOM 231.
- (2) DRILL AND ANCHOR KEYPAD/CARD READER AND ADA DOOR OPERATOR TO OUTSIDE OF BUILDING. STUB CONDUIT INTO STORAGE ROOM 5-334 AND ROUTE TO CEILING.
- (3) 2" 4" CONDUITS IN CEILING SPACE FROM MDF TO CABLE TRAY.

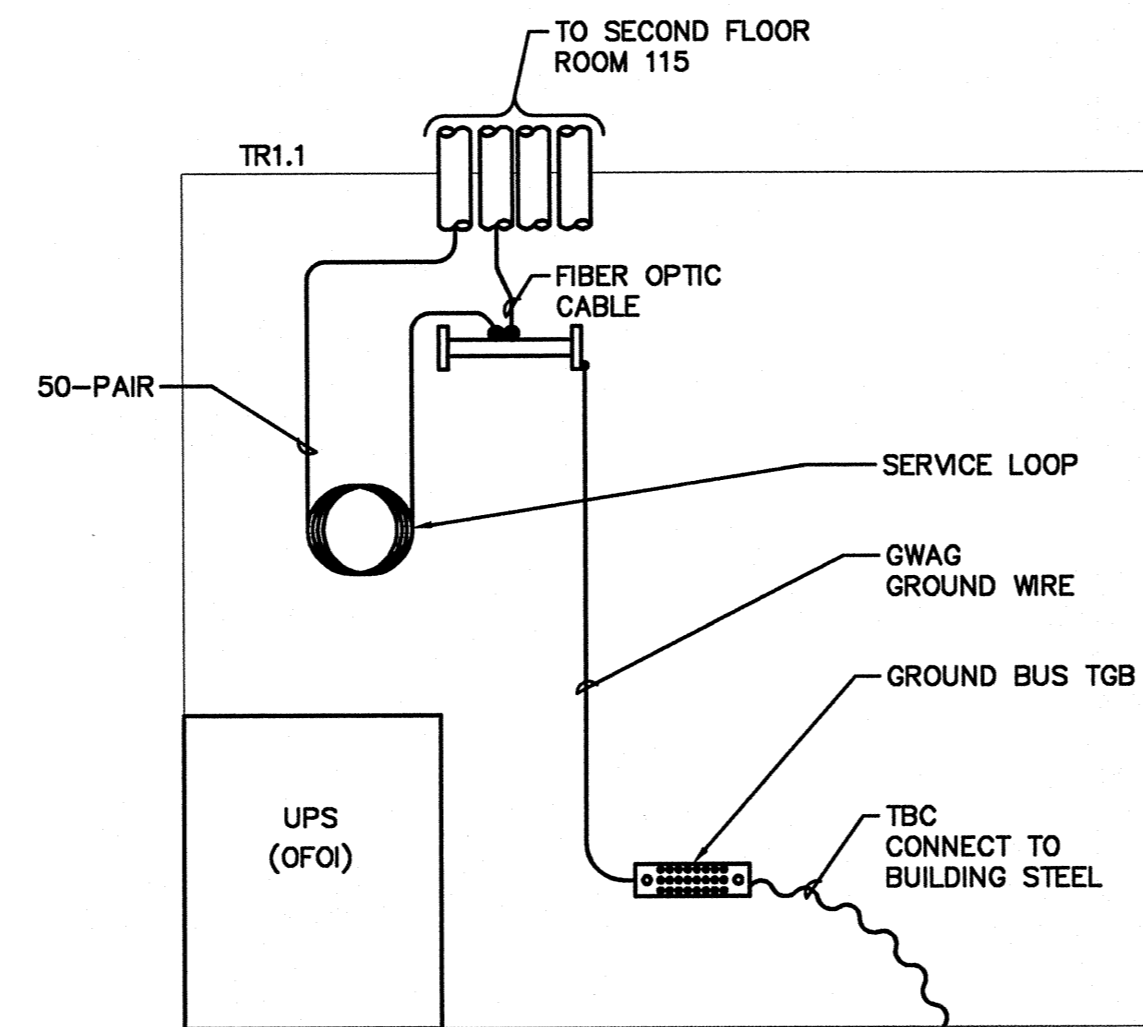
1 TECHNOLOGY - THIRD FLOOR





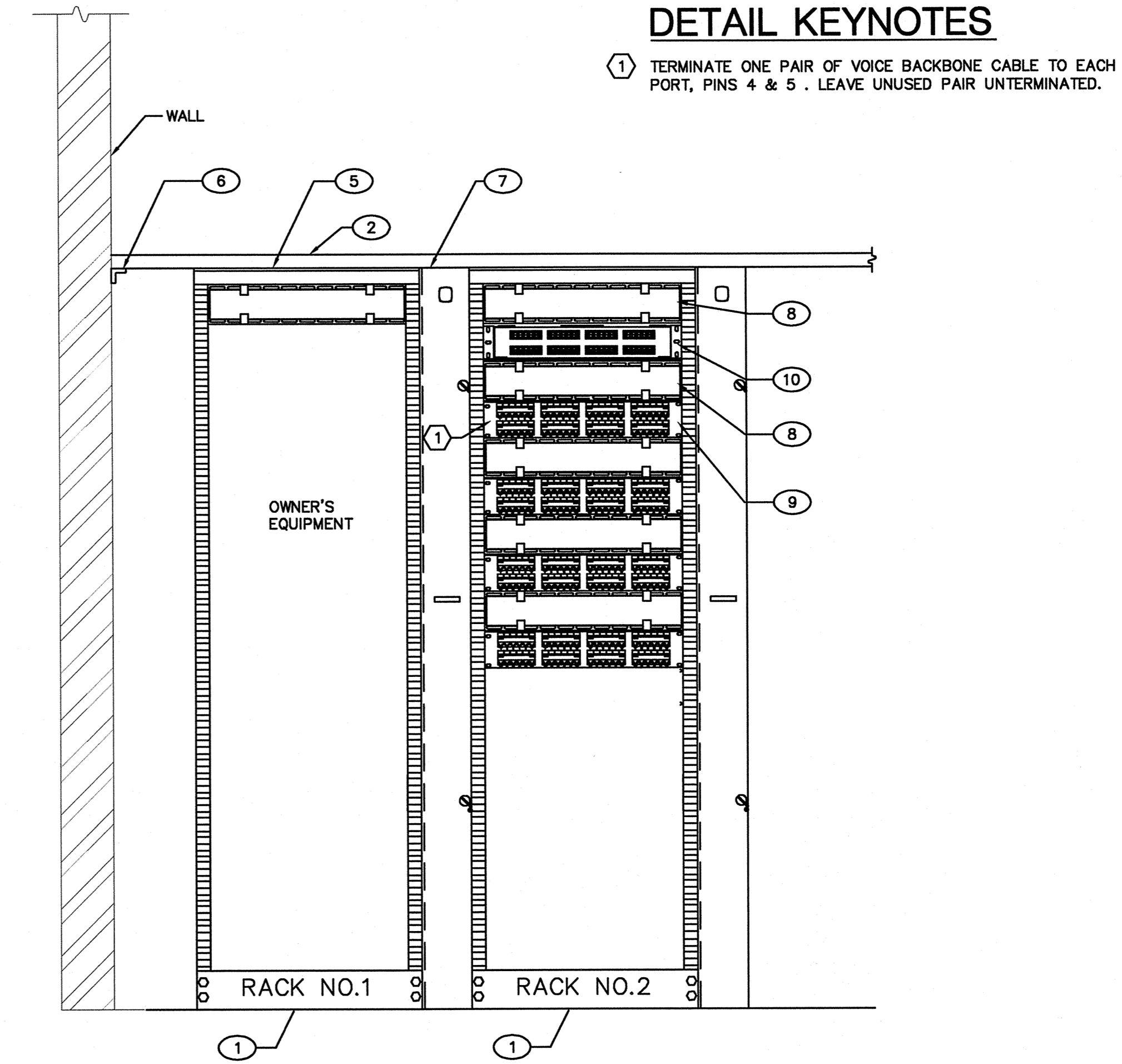
1 SIGNAL - ENLARGED FLOOR PLAN RM. F103

0 1' 2' 4'
SCALE: 1/2"=1'-0"



2 SIGNAL - WALL ELEVATION RM. F103

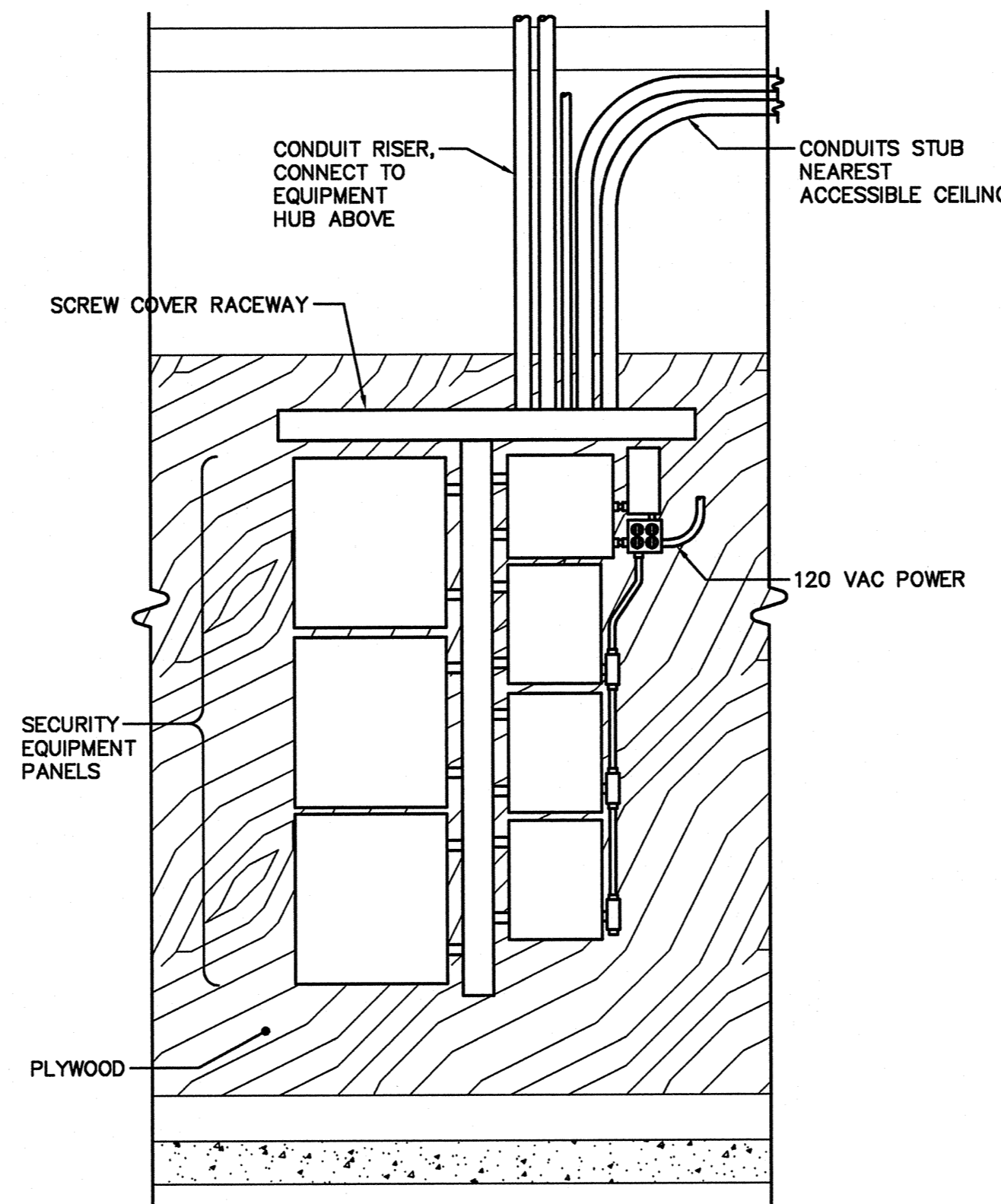
NO SCALE



3 SIGNAL - RACK ELEVATION RM. F103

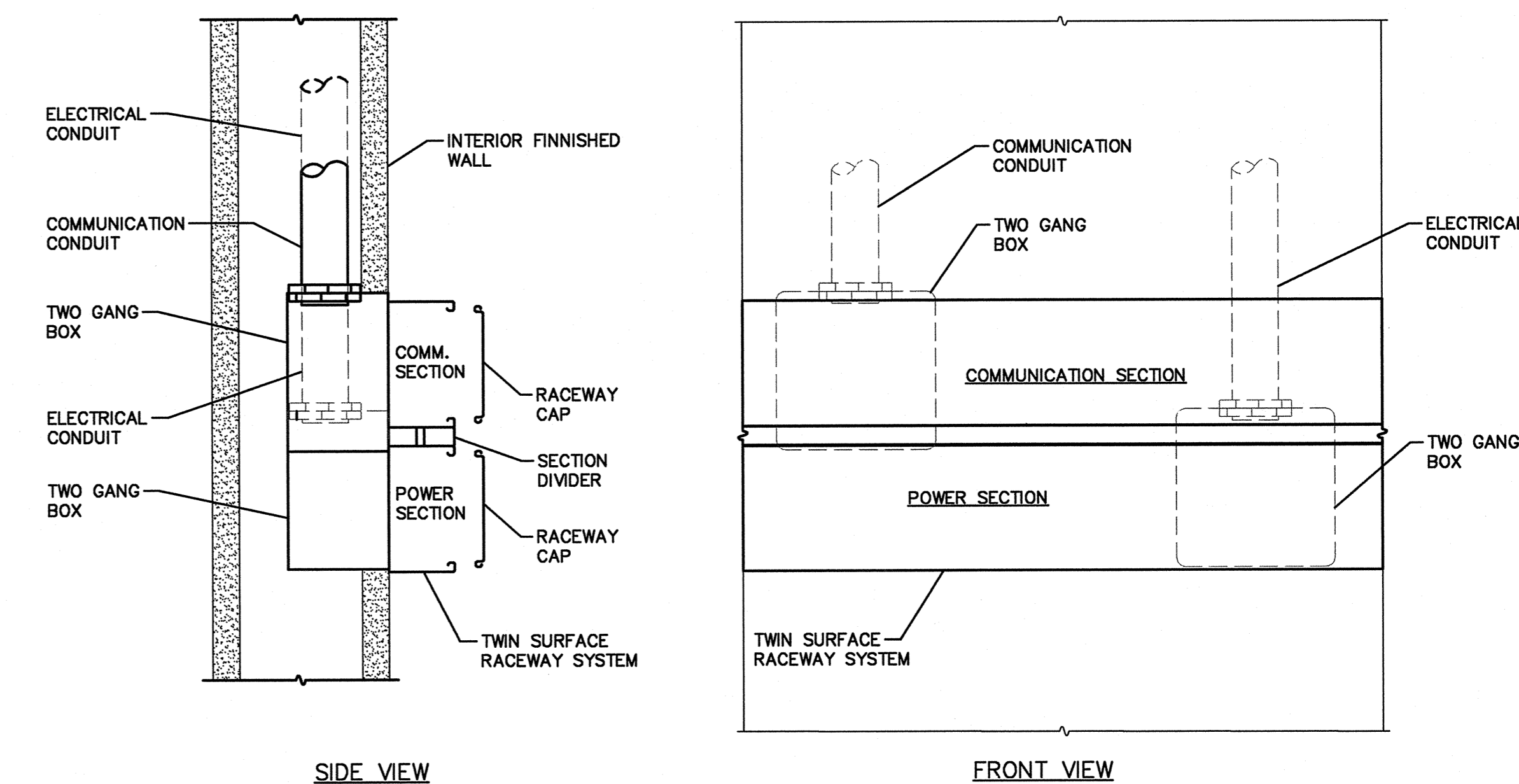
NO SCALE

Equipment ID	Quantity	Manufacturer	Part Number	Description
1	As Required	Chateworth	55053-703	19" x 64" Free standing Relay Rack, UL Listed, Black
2	As Required	Chateworth	11275-712	12" cable Tray, UL Listed, Black
3	As Required	Chateworth	16301-701	Butt-Splice Kit, UL Listed, Black
4	As Required	Chateworth	18302-701	Junction-Splice Kit, UL Listed, Black
5	As Required	Chateworth	10264-712	3" Channel Rack to Runway Mounting Plate, Black
6	As Required	Chateworth	11421-712	Wall Angle Support Kit, Cable Runway, Black
7	As Required	Chateworth	30162-715	Vertical Cable Management, Double Sided, Black
8	As Required	Chateworth	30529-719	Horizontal Cable Management, Double Sided, Black
9	As Required	Panduit	24M6BL	48-Port Modular Faceplate Patch Panels, 2 Rack Spaces
10	As Required	Uniprize	RE-TB-EM/14	Fiber Termination Unit, Rack Mount, Holds 12 Adapter Panels



5 SECURITY PANEL WALL ELEVATION

NO SCALE

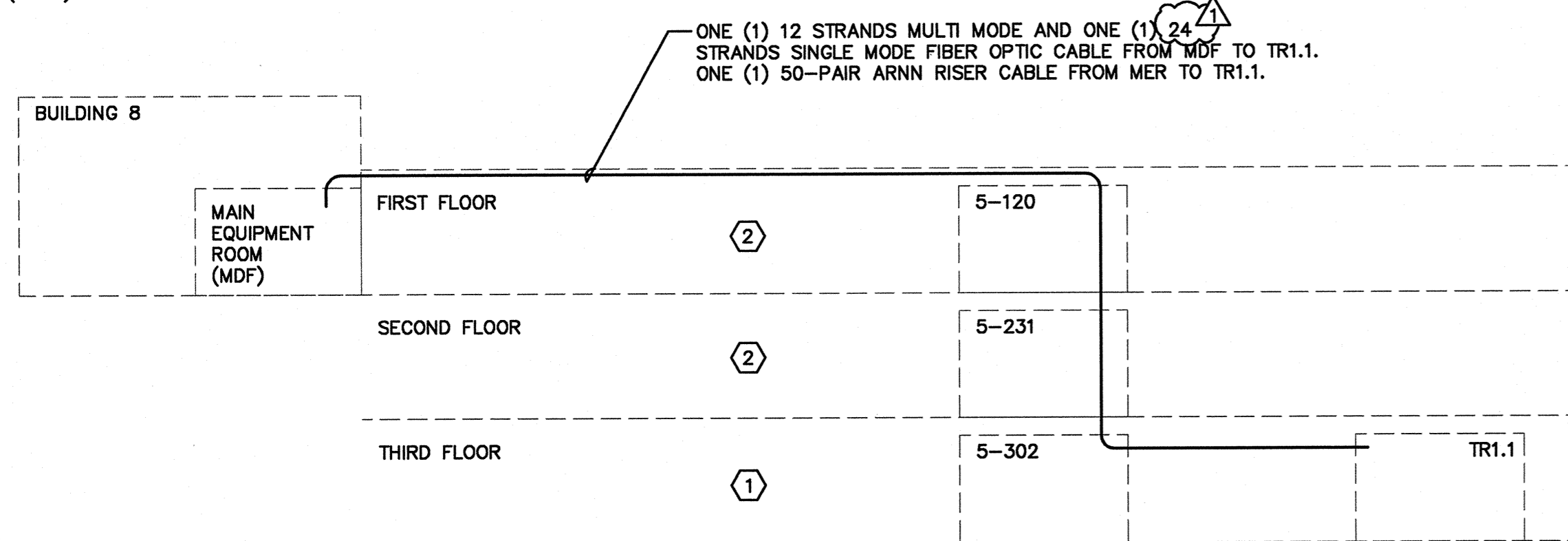


6 TWIN SURFACE RACEWAY DETAIL

NO SCALE

DETAIL KEYNOTES

- ① ALL 4-PAIR CABLES ON THIRD FLOOR SHALL TERMINATE IN BUILDING 8 MAIN EQUIPMENT ROOM (MER).
- ② ALL 4-PAIR CABLES ON FIRST AND SECOND FLOORS SHALL TERMINATE ON FIRST FLOOR TELECOMMUNICATIONS ROOM (TR1.1).



4 SIGNAL BACKBONE CABLE SINGLE-LINE DIAGRAM

NO SCALE

GENERAL NOTES
1. This sheet is part of a set and is not to be used alone.
2. This sheet is not to be used for construction unless the architect's stamp and signature appear on the drawings and the status box indicates drawings have been released for construction.
3. These plans and prints thereof, as instruments of service, are owned by the architect and are for use on this project only. Reproduction and/or distribution without the prior written consent of the architect is forbidden.
4. Copyright Bunton Clifford Associates, 2007

REVISION HISTORY	REMARKS	DATE
▲	ADDENDUM NO. 1	08/19/09
▲		
▲		
▲		
▲		
▲		
▲		
▲		
▲		

DRAWING STATUS	DATE
● DSA PLAN CHECK	08/28/08
● DSA BACK CHECK	01/22/09
● BIDDING (BID #66593)	09/16/09
○ CONSTRUCTION	

FILE NO. 41-C1

IDENTIFICATION STAMP
DIV. OF THE STATE ARCHITECT

01-110074

AC FLS SS

DATE

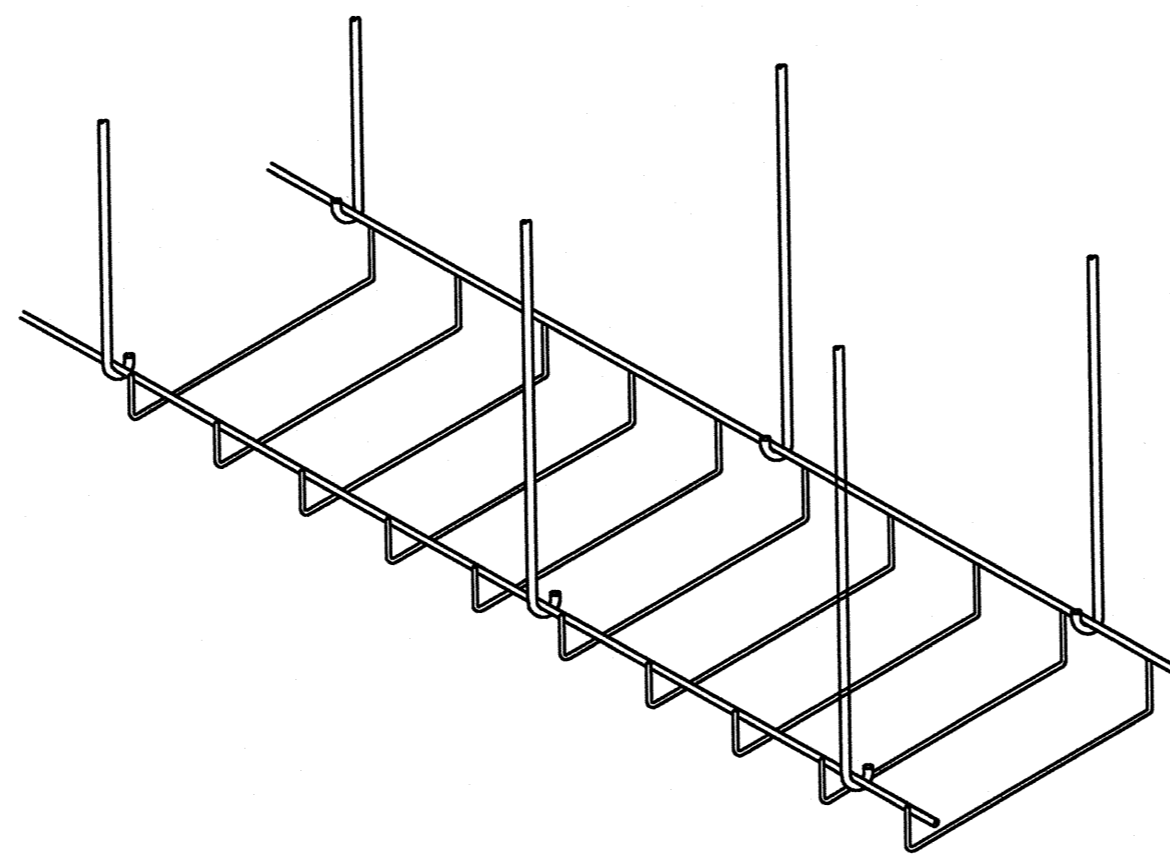
BUILDINGS 5 & 6
RENOVATIONS

San Mateo County Community
College District

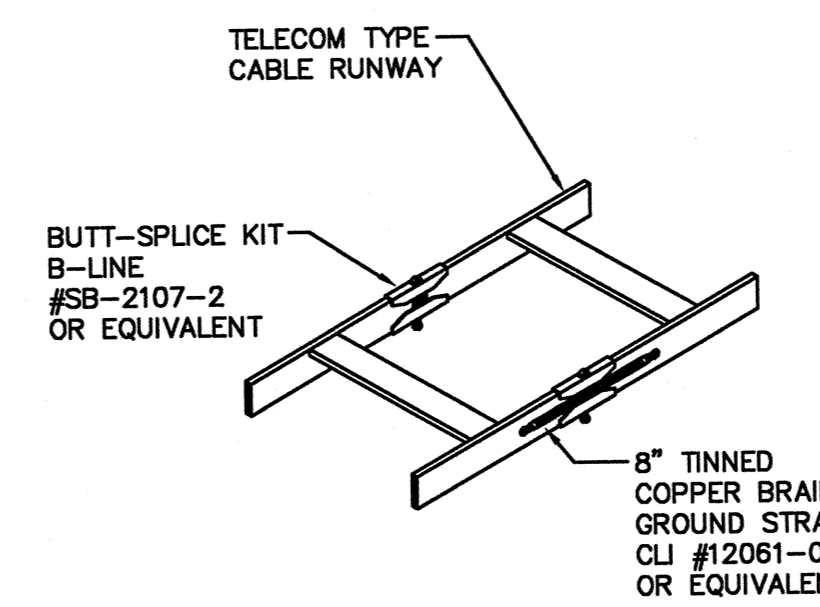
BID ADDENDA

CAÑADA COLLEGE
4200 Farm Hill Boulevard
Redwood City, CA 94061

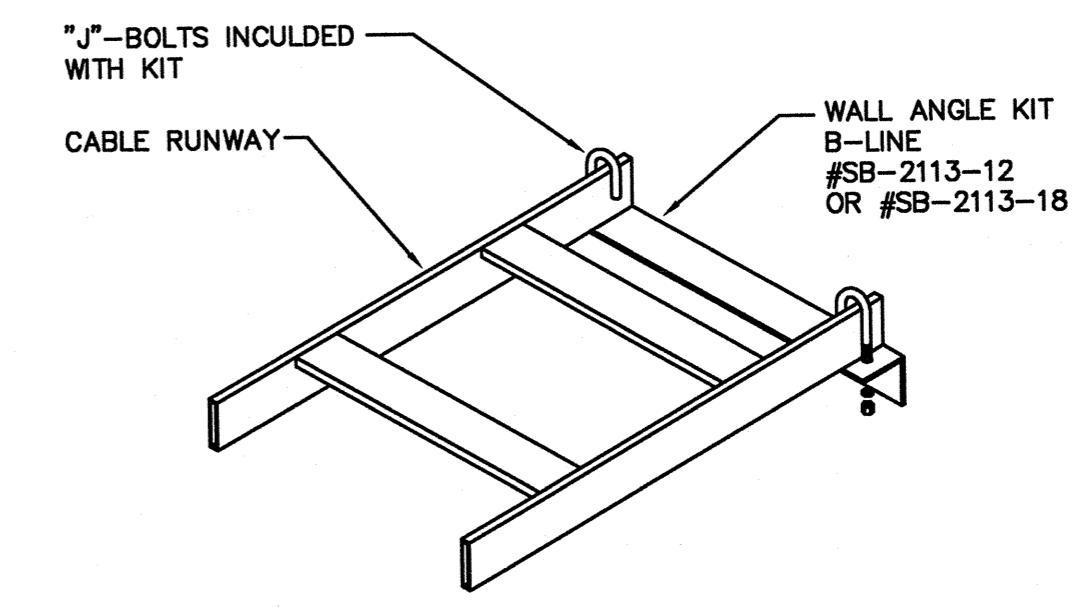
ENLARGED FLOOR PLANS
AND ELEVATIONS



5 CABLE RUNWAY SUPPORT DETAIL
NO SCALE

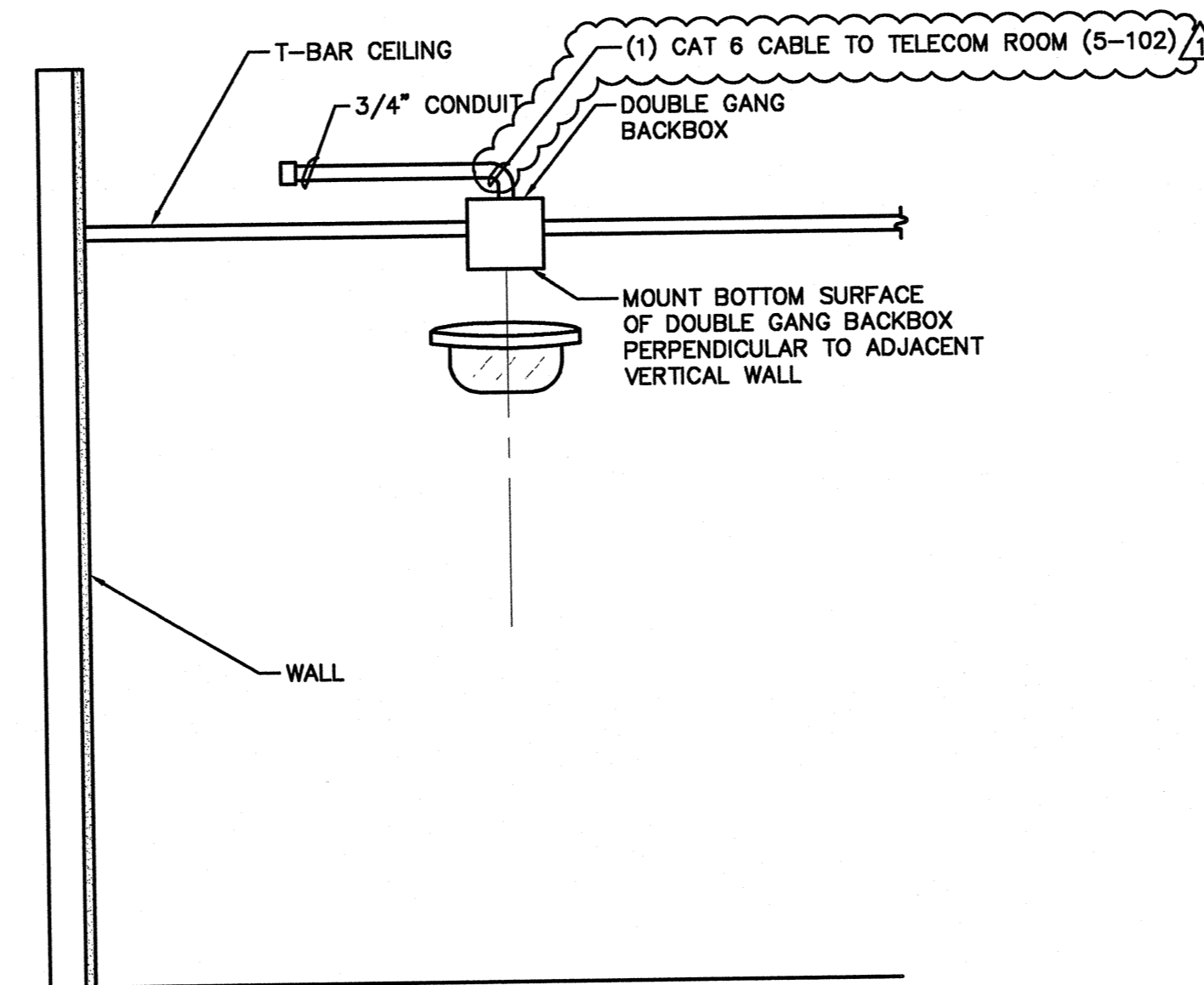


CABLE RUNWAY "T" DETAIL

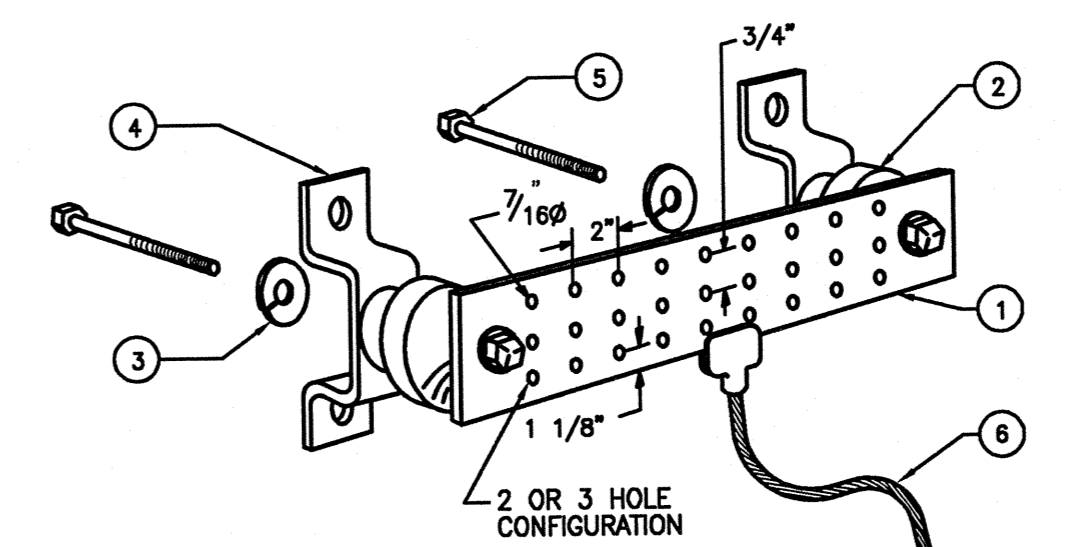


CABLE RUNWAY END-TO-WALL BRACKET DETAIL

1 CABLE RUNWAY MOUNTING DETAILS
NO SCALE



6 CEILING MOUNTED CAMERA DETAIL
NO SCALE

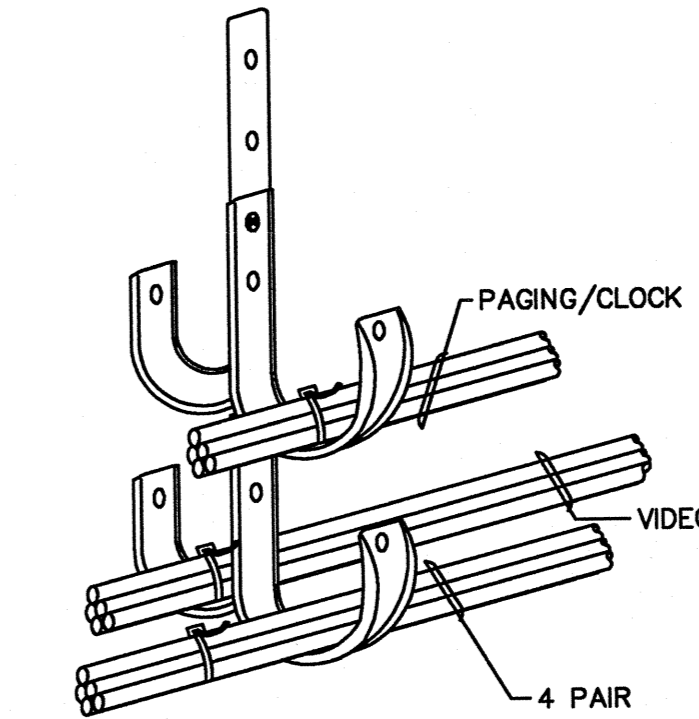


LEGEND

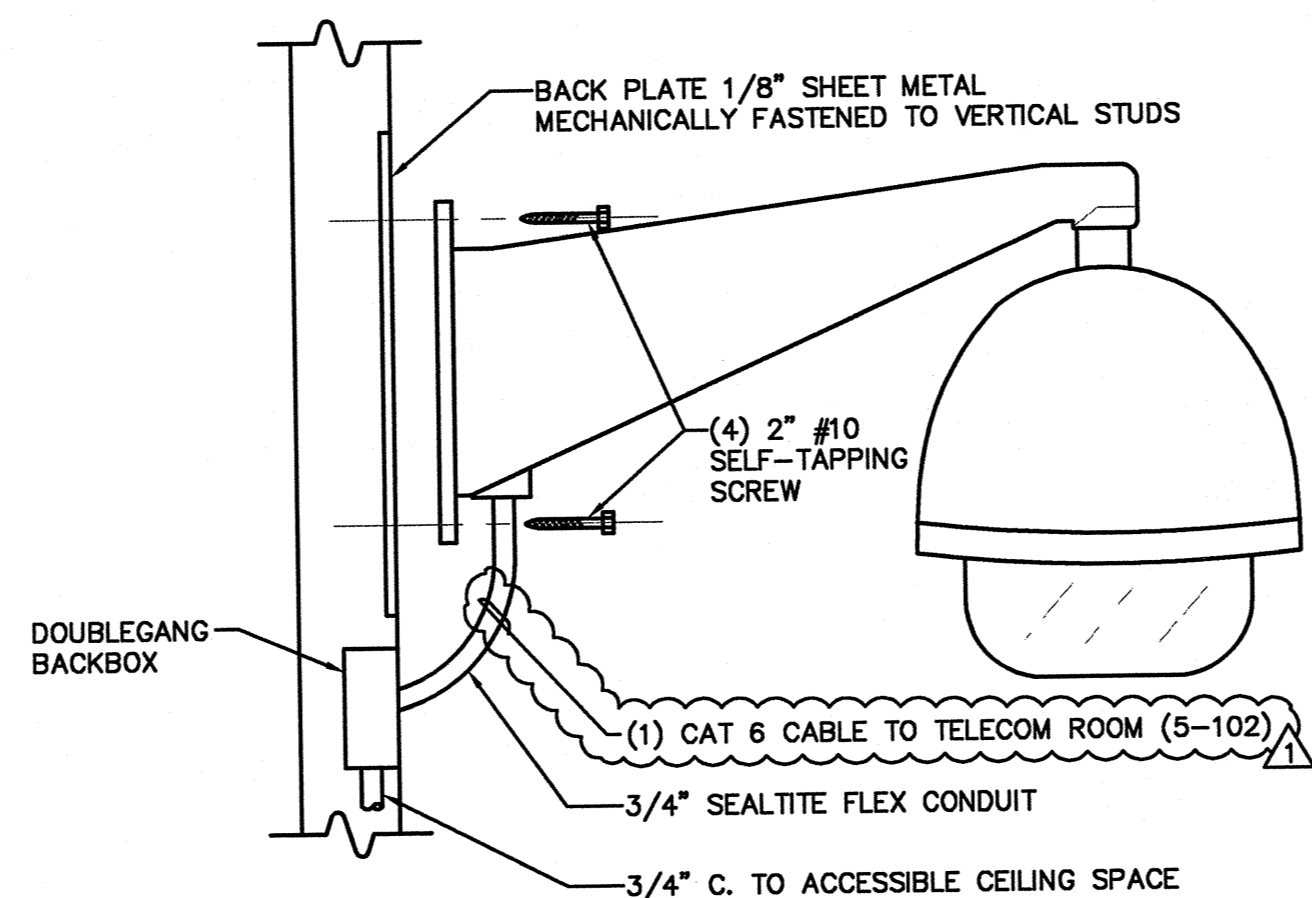
- 1- COPPER GROUND BAR, 1/4" X 4" X 10", HOLE CENTERS TO MATCH NEMA DOUBLE LUG CONFIGURATION
- 2- INSULATORS
- 3- 5/8" LOCKWASHERS
- 4- WALL MOUNTING BRACKET
- 5- 5/8-11 X 1" H.H.C.S.BOLTS
- 6- 3/0 BARE COPPER GROUND CONDUCTOR TO MAIN SERVICE EQUIPMENT GROUND.

CPI, ERICO/CADWELD, SQUARE D OR APPROVED SUBSTITUTE

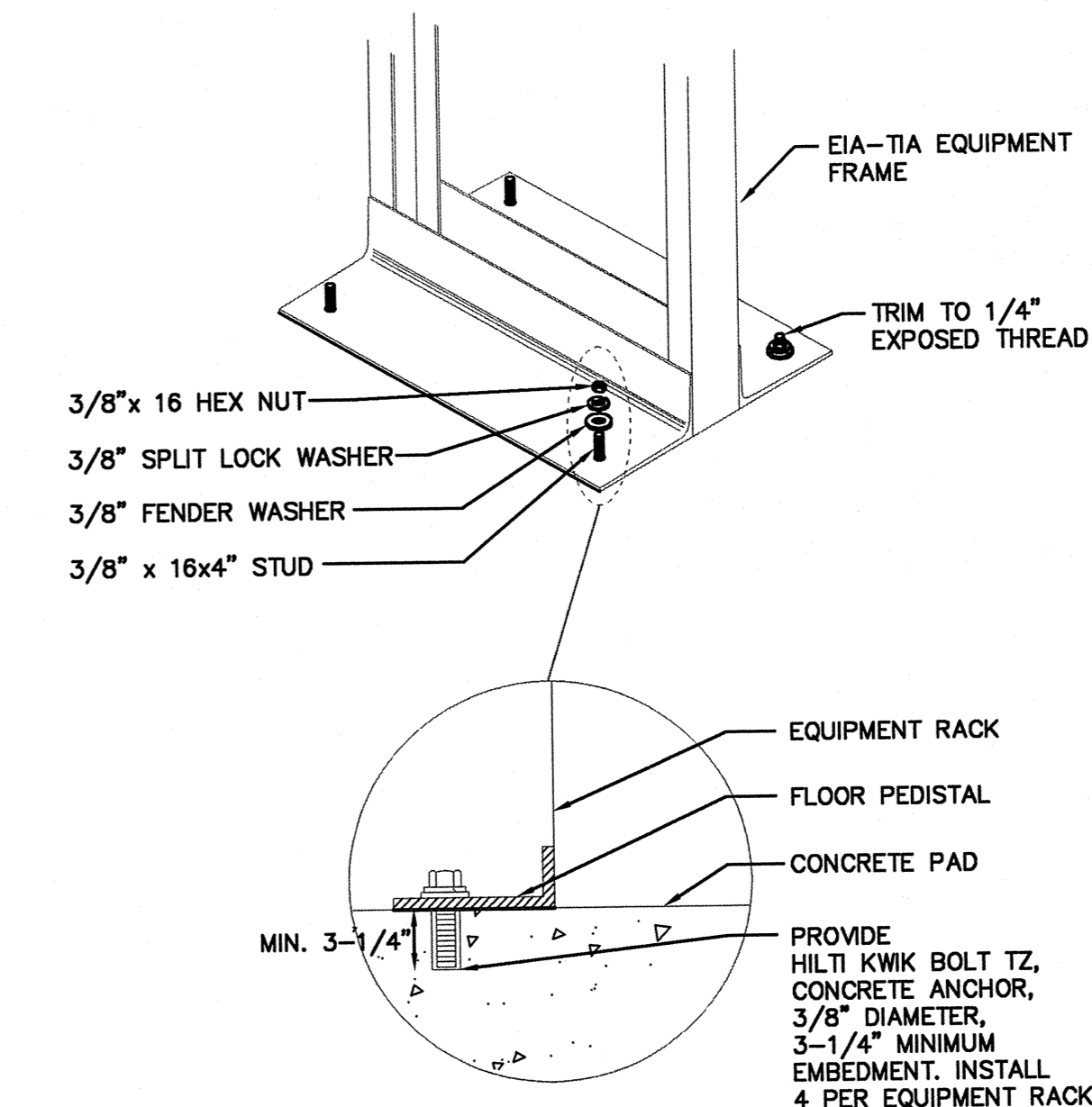
2 GROUND BUS BAR DETAIL
NO SCALE



3 J-HOOK DETAIL
NO SCALE



7 WALL CAMERA MOUNTING DETAIL
NO SCALE



4 RACK MOUNTING DETAIL
NO SCALE

PROJECT 2007-0731
CONTACT Valeria Torres

INTERFACE
ENGINEERING

717 Market Street
Suite 500
San Francisco, CA 94103
TEL 415.489.7240
FAX 415.489.7289
www.interfaceengineering.com

ARCHITECT	ENGINEER

- GENERAL NOTES**
- This sheet is part of a set and is not to be used alone.
 - This sheet is not to be used for construction unless the architect's stamp and signature appear on the drawings and the status box indicates drawings have been released for construction.
 - These plans and prints thereof, as instruments of service, are owned by the architect and are for use on this project only. Reproduction and/or distribution without the prior written consent of the architect is forbidden.
 - Copyright Bunton Clifford Associates, 2007

REVISION HISTORY	REMARKS	DATE
▲	ADDENDUM NO. 1	09/18/09
▲		
▲		
▲		
▲		
▲		
▲		
▲		

DRAWING STATUS	DATE
● DSA PLAN CHECK	08/29/08
● DSA BACK CHECK	01/22/09
● BIDDING (BID #88593)	09/18/09
○ CONSTRUCTION	

FILE NO. 41-C1

IDENTIFICATION STAMP
DIV. OF THE STATE ARCHITECT

01-110074

AC _____ FLS _____ SS _____

DATE _____

BUILDINGS 5 & 6 RENOVATIONS

San Mateo County Community College District

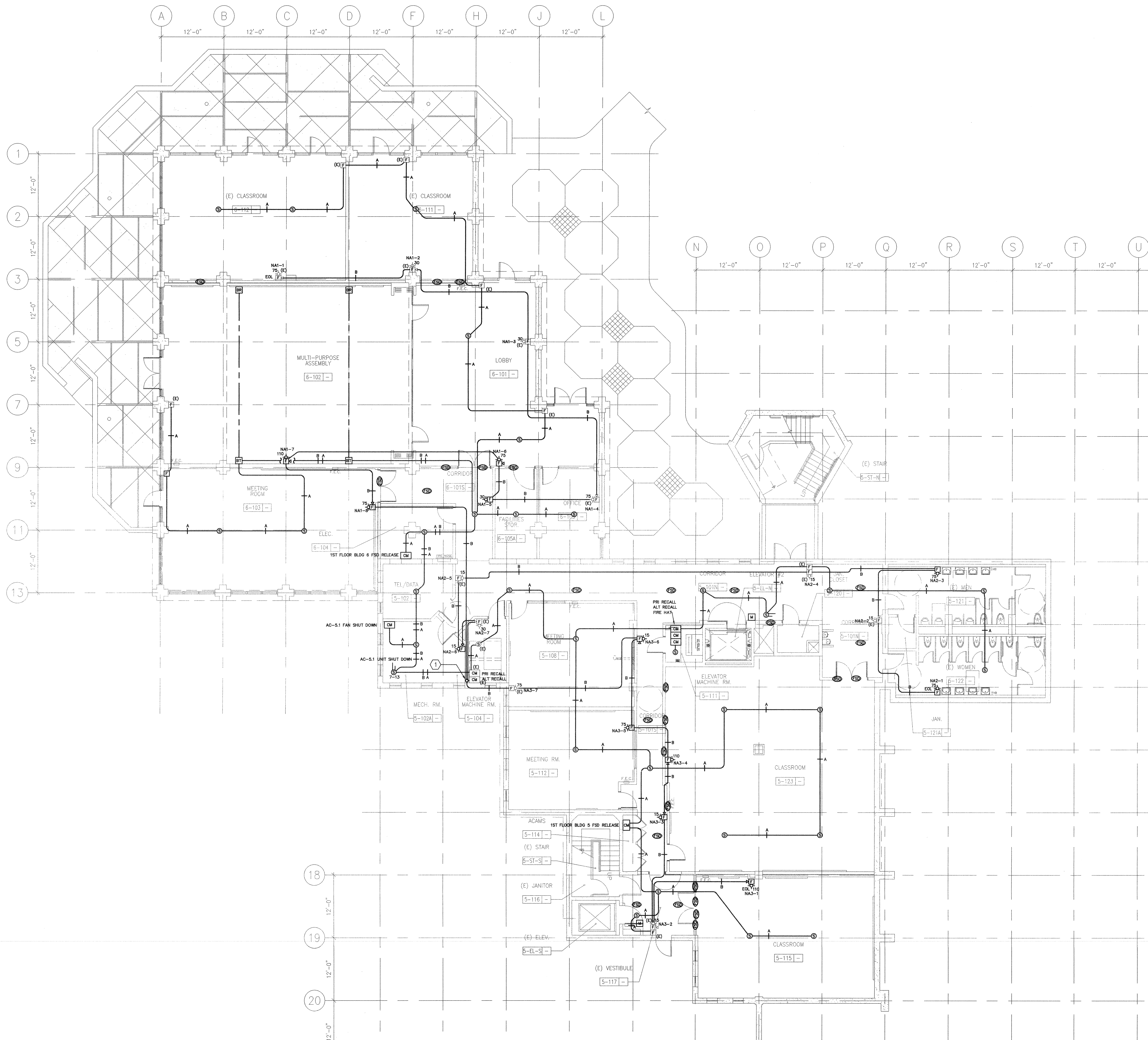
BID ADDENDA

CAÑADA COLLEGE
4200 Farm Hill Boulevard
Redwood City, CA 94061

TECHNOLOGY DETAIL SHEET

Date 08/29/08
Drawing Number
Scale AS NOTED
Project Number 07013

T6.1



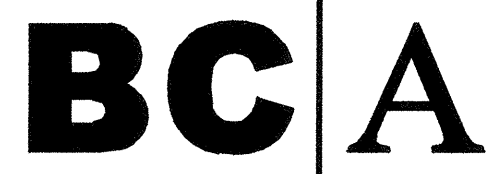
1 FIRE ALARM PLAN - FIRST FLOOR
 SCALE: 1/8"=1'-0"

GENERAL SHEET NOTES

- A. CONTRACTOR SHALL COORDINATE ALL DEMOLITION WORK WITH THE ARCHITECT AND THE COLLEGE PRIOR TO COMMENCEMENT OF WORK.
- B. DEMOLISH EXISTING FIRE ALARM DEVICES AS REQUIRED TO ACCOMMODATE NEW CONSTRUCTION. DEMOLITION WORK SHALL BE COORDINATE AND SEQUENCED WITH THE PROVISIONS OF ALL DIVISIONS OF CONSTRUCTION DOCUMENTS.
- C. REMOVE ALL EXISTING MATERIALS CONFLICTING WITH REMODEL WORK INDICATED IN CONSTRUCTION DOCUMENTS AND SUBJECT TO THE CONDITIONS INDICATED IN SUCH.
- D. REMOVE ALL ELECTRICAL MATERIALS MOUNTED IN OR ON WALLS AND CEILING TO BE REMOVED AS INDICATED IN THE ARCHITECTURAL CONSTRUCTION DOCUMENTS.
- E. VERIFY EXISTING CONDITIONS PRIOR TO PROCEEDING WITH THE WORK, AND PROVIDE ADDITIONAL SPLICE BOXES, ETC., AS REQUIRED FOR A COMPLETE AND PROPERLY OPERATING SYSTEM. EXISTING CONDUIT THAT IS NOT REMOVED DURING DEMOLITION MAY BE REUSED IN PLACE IF IT IS SIZED IN ACCORDANCE WITH THE LATEST EDITION OF THE N.E.C. AND THOROUGHLY CLEANED AND SWABBED PRIOR TO PULLING NEW WIRES.
- F. CONTRACTOR TO OBTAIN COPY OF EXISTING AS-BUILT DRAWINGS PRIOR TO BID.
- G. WHERE DRAWINGS INDICATE EXISTING FIRE ALARM EQUIPMENT OR DEVICES TO BE RELOCATED OR REUSED, REFURBISH THEM. CLEAN SUCH ITEMS AND NOTIFY ARCHITECT OF ANY DEFECTS IN SUCH INSTALLATIONS. REPAIR ANY DAMAGE CAUSED BY DEMOLITION OR CONSTRUCTION PERFORMED UNDER THIS CONTRACT.

SHEET KEYNOTES

- ① FIRE ALARM RISER TO MECHANICAL ROOM 5-204A



architecture
planning
interiors

Burton Clifford Associates, Inc.
210 Hammond Ave.
Fremont, California 94539
[T] 510.445.1000
[F] 510.445.1005
www.BCAincOnline.com

PROJECT: 2007-0731
CONTACT: Valeria Torres

INTERFACE
ENGINEERING

717 Market Street
Suite 500
San Francisco, CA 94103
TEL: 415.488.7240
FAX: 415.488.7289
www.interfaceengineering.com

ARCHITECT: LUCAS ARCHITECT
PROFESSIONAL ARCHITECT
COURTIS BROWN
No. CD18659
Ren.: 09/30/09

ENGINEER: REGISTERED PROFESSIONAL ENGINEER
WILSON LAY
No. CE6606
Exp. 09-30-10

- GENERAL NOTES
- This sheet is part of a set and is not to be used alone.
 - This sheet is not to be used for construction unless the architect's stamp and signature appear on the drawings and the status box indicates drawings have been released for construction.
 - These plans and prints thereof, as instruments of service, are owned by the architect and are for use on this project only. Reproduction and/or distribution without the prior written consent of the architect is forbidden.
 - Copyright Burton Clifford Associates, 2007

REVISIONS	DATE

- DRAWING STATUS
- DSA PLAN CHECK
 - DSA BACK CHECK
 - BIDDING (BID #88563)
 - CONSTRUCTION

FILE NO. 41-C1

IDENTIFICATION STAMP
DIV. OF THE STATE ARCHITECT

01-110074

AC: [Signature] FS: [Signature] SS: [Signature]

DATE: MAR 19 2008

BUILDINGS 5 & 6 RENOVATIONS

San Mateo County Community College District

DSA BACK-CHECK

CAÑADA COLLEGE
4200 Farm Hill Boulevard
Redwood City, CA 94061

FIRE ALARM PLAN
FIRST FLOOR

Date: 01/22/09
Scale: AS NOTED
Project Number: 07013

Drawing Number: **FA3.1**

PROJECT CONTACT: 2007-0731 Valeria Torres
717 Market Street, Suite 500, San Francisco, CA 94103
TEL: 415.489.7240, FAX: 415.489.7289, www.interfaceengineering.com

ARCHITECT: LICENSED ARCHITECT AND CURRICULUM DESIGNER, STATE OF CALIFORNIA
ENGINEER: REGISTERED PROFESSIONAL ENGINEER, ELECTRICAL, STATE OF CALIFORNIA

1. This sheet is part of a set and is not to be used alone.
2. This sheet is not to be used for construction unless the architect's stamp and signature appear on the drawings and the status box indicates drawings have been released for construction.
3. These plans and prints thereof, as instruments of service, are owned by the architect and are for use on this project only. Reproduction and/or distribution without the prior written consent of the architect is forbidden.
4. Copyright Bunton Clifford Associates, 2007

REMARKS	DATE

DRAWING STATUS	DATE
<input type="radio"/> DISA PLAN CHECK	
<input type="radio"/> DISA BACK CHECK	
<input type="radio"/> BIDDING (BID #65593)	
<input type="radio"/> CONSTRUCTION	

FILE NO. 41-C1
IDENTIFICATION STAMP
DN OF THE STATE ARCHITECT
01-110074
AC: [Signature] FLS: [Signature] SS: [Signature]
DATE: MAR 19 2009

BUILDINGS 5 & 6 RENOVATIONS

San Mateo County Community College District

DSA BACK-CHECK

CAÑADA COLLEGE
4200 Farm Hill Boulevard
Redwood City, CA 94061

FIRE ALARM PLAN
SECOND FLOOR

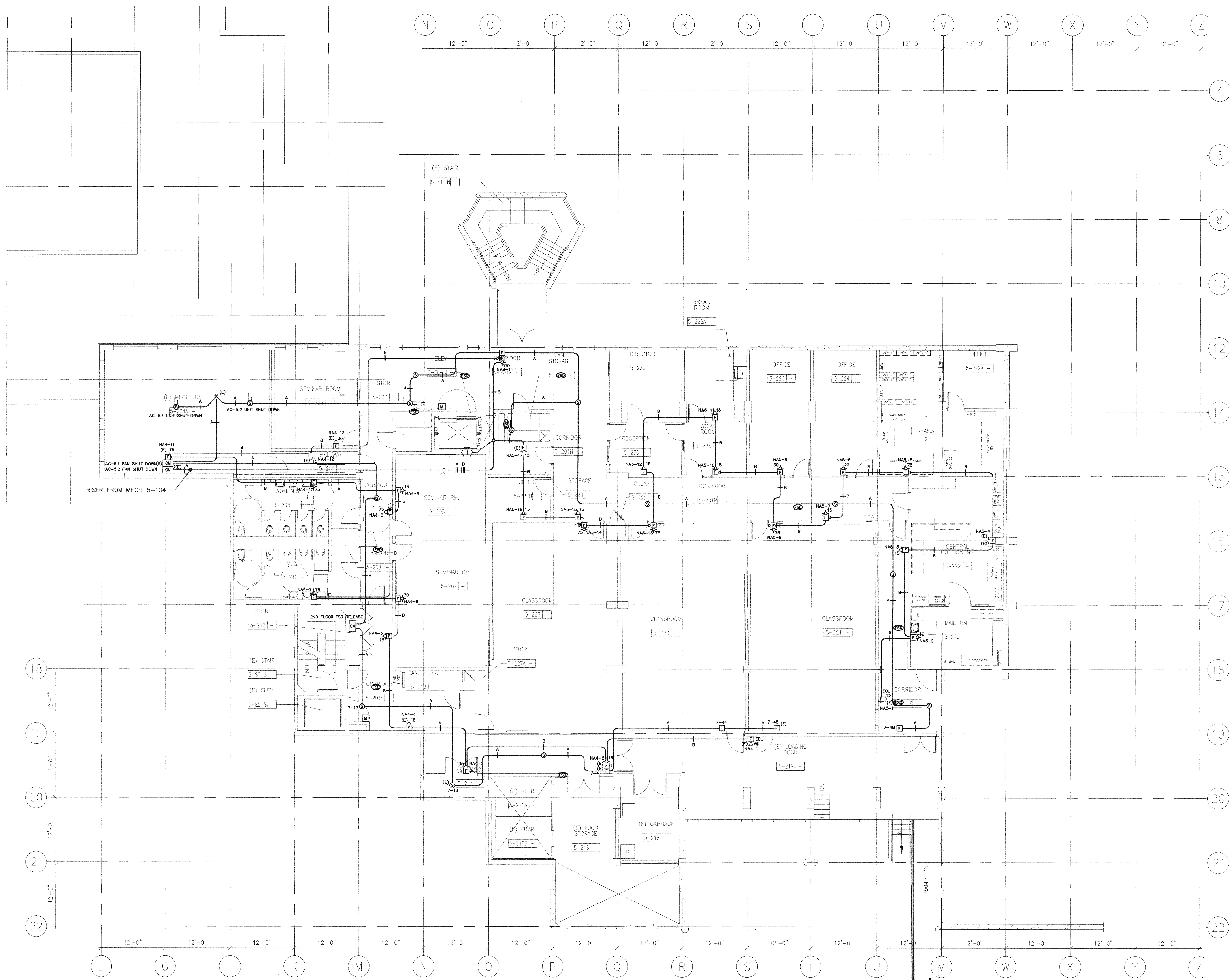
Date: 01/22/09
Scale: AS NOTED
Project Number: 07013
Drawing Number: FA3.2

GENERAL SHEET NOTES

- A. CONTRACTOR SHALL COORDINATE ALL DEMOLITION WORK WITH THE ARCHITECT AND THE COLLEGE PRIOR TO COMMENCEMENT OF WORK.
- B. DEMOLISH EXISTING FIRE ALARM DEVICES AS REQUIRED TO ACCOMMODATE NEW CONSTRUCTION. DEMOLITION WORK SHALL BE COORDINATED AND SEQUENCED WITH THE PROVISIONS OF ALL DIVISIONS OF CONSTRUCTION DOCUMENTS.
- C. REMOVE ALL EXISTING MATERIALS CONFLICTING WITH REMODEL WORK INDICATED IN CONSTRUCTION DOCUMENTS AND SUBJECT TO THE CONDITIONS INDICATED IN SUCH.
- D. REMOVE ALL ELECTRICAL MATERIALS MOUNTED IN OR ON WALLS AND CEILING TO BE REMOVED AS INDICATED IN THE ARCHITECTURAL CONSTRUCTION DOCUMENTS.
- E. VERIFY EXISTING CONDITIONS PRIOR TO PROCEEDING WITH THE WORK, AND PROVIDE ADDITIONAL SPLICE BOXES, ETC., AS REQUIRED FOR A COMPLETE AND PROPERLY OPERATING SYSTEM. EXISTING CONDUIT THAT IS NOT REMOVED DURING DEMOLITION MAY BE REUSED IN PLACE IF IT IS SIZED IN ACCORDANCE WITH THE LATEST EDITION OF THE N.E.C. AND THOROUGHLY CLEANED AND SWABBED PRIOR TO PULLING NEW WIRES.
- F. CONTRACTOR TO OBTAIN COPY OF EXISTING AS-BUILT DRAWINGS PRIOR TO BID.
- G. WHERE DRAWINGS INDICATE EXISTING FIRE ALARM EQUIPMENT OR DEVICES TO BE RELOCATED OR REUSED, REFURBISH THEM. CLEAN SUCH ITEMS AND NOTIFY ARCHITECT OF ANY DEFECTS IN SUCH INSTALLATIONS. REPAIR ANY DAMAGE CAUSED BY DEMOLITION OR CONSTRUCTION PERFORMED UNDER THIS CONTRACT.

SHEET KEYNOTES

- ① RISER TO 3RD FLOOR.



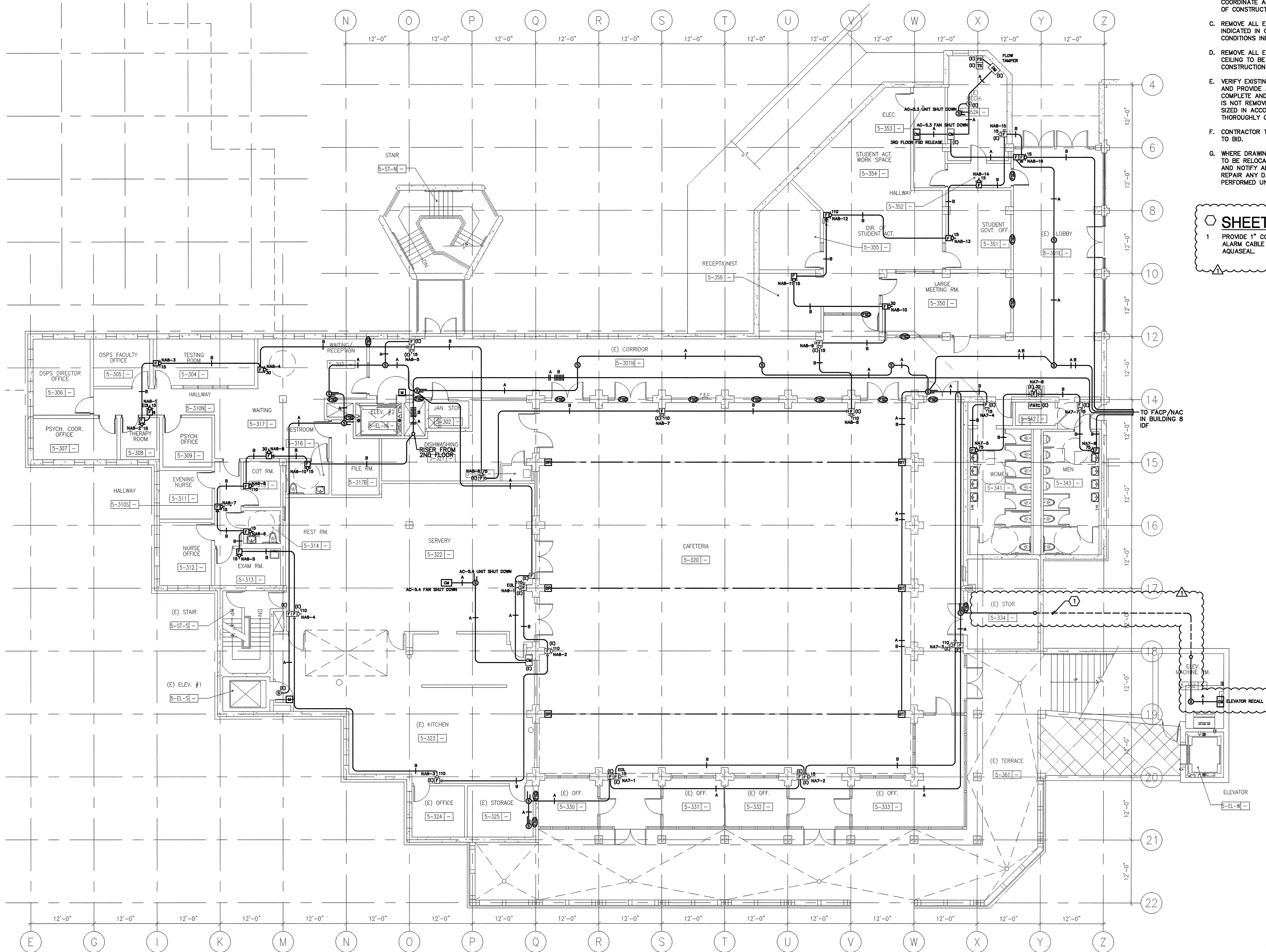
1 FIRE ALARM PLAN - SECOND FLOOR
SCALE: 1/8"=1'-0"

GENERAL SHEET NOTES

- A. CONTRACTOR SHALL COORDINATE ALL DEMOLITION WORK WITH THE ARCHITECT AND THE COLLEGE PRIOR TO COMMENCEMENT OF WORK.
- B. DEMOLISH EXISTING FIRE ALARM DEVICES AS REQUIRED TO ACCOMMODATE NEW CONSTRUCTION. DEMOLITION WORK SHALL BE COORDINATE AND SEQUENCED WITH THE PROVISIONS OF ALL DIVISIONS OF CONSTRUCTION DOCUMENTS.
- C. REMOVE ALL EXISTING MATERIALS CONFLICTING WITH REMODEL WORK INDICATED IN CONSTRUCTION DOCUMENTS AND SUBJECT TO THE CONDITIONS INDICATED IN SUCH.
- D. REMOVE ALL ELECTRICAL MATERIALS MOUNTED IN OR ON WALLS AND CEILING TO BE REMOVED AS INDICATED IN THE ARCHITECTURAL CONSTRUCTION DOCUMENTS.
- E. VERIFY EXISTING CONDITIONS PRIOR TO PROCEEDING WITH THE WORK, AND PROVIDE ADDITIONAL SPLICE BOXES, ETC., AS REQUIRED FOR A COMPLETE AND PROPERLY OPERATING SYSTEM. EXISTING CONDUIT THAT IS NOT REMOVED DURING DEMOLITION MAY BE REUSED IN PLACE IF IT IS SIZED IN ACCORDANCE WITH THE LATEST EDITION OF THE N.E.C. AND THOROUGHLY CLEANED AND SWABBED PRIOR TO PULLING NEW WIRES.
- F. CONTRACTOR TO OBTAIN COPY OF EXISTING AS-BUILT DRAWINGS PRIOR TO BID.
- G. WHERE DRAWINGS INDICATE EXISTING FIRE ALARM EQUIPMENT OR DEVICES TO BE RELOCATED OR REUSED, REFURBISH THEM, CLEAN SUCH ITEMS AND NOTIFY ARCHITECT OF ANY DEFECTS IN SUCH INSTALLATIONS. REPAIR ANY DAMAGE CAUSED BY DEMOLITION OR CONSTRUCTION PERFORMED UNDER THIS CONTRACT.

SHEET KEYNOTES

- 1 PROVIDE 1" CONDUIT WITH 16 AWG 1 PAIR TWISTED AND SHIELDED FIRE ALARM CABLE SUITABLE FOR WET LOCATION, SUCH AS WEST PENN AQUASEAL.



1 FIRE ALARM PLAN - THIRD FLOOR

0 4' 8' 16'
SCALE: 1/8"=1'-0"

PROJECT 2007-0731
CONTACT Valeria Torres

INTERFACE ENGINEERING

717 Market Street
Suite 500
San Francisco, CA 94103
TEL 415.489.7240
FAX 415.489.7289
www.interfaceengineering.com

ARCHITECT	ENGINEER

- REVISION HISTORY
- 1. This sheet is part of a set and is not to be used alone.
 - 2. This sheet is not to be used for construction unless the architect's stamp and signature appear on the drawings and the status box indicates drawings have been released for construction.
 - 3. These plans and prints thereof, as instruments of service, are owned by the architect and are for use on this project only. Reproduction and/or distribution without the prior written consent of the architect is forbidden.
 - 4. Copyright Bunton Clifford Associates, 2007

REVISIONS	DATE
ADDENDUM NO. 1	08/18/09

DRAWING STATUS	DATE
● DSA PLAN CHECK	08/28/08
● DSA BACK CHECK	01/22/09
● BIDDING (BID #86659)	09/18/09
○ CONSTRUCTION	

FILE NO. 41-C1

IDENTIFICATION STAMP
DIV. OF THE STATE ARCHITECT

01-110074

AC FLS SS

DATE

BUILDINGS 5 & 6 RENOVATIONS

San Mateo County Community College District

BID ADDENDA

CAÑADA COLLEGE
4200 Farm Hill Boulevard
Redwood City, CA 94061

FIRE ALARM PLAN
THIRD FLOOR

Date 08/29/08
Drawing Number FA3.3
Scale AS NOTED
Project Number 07013

