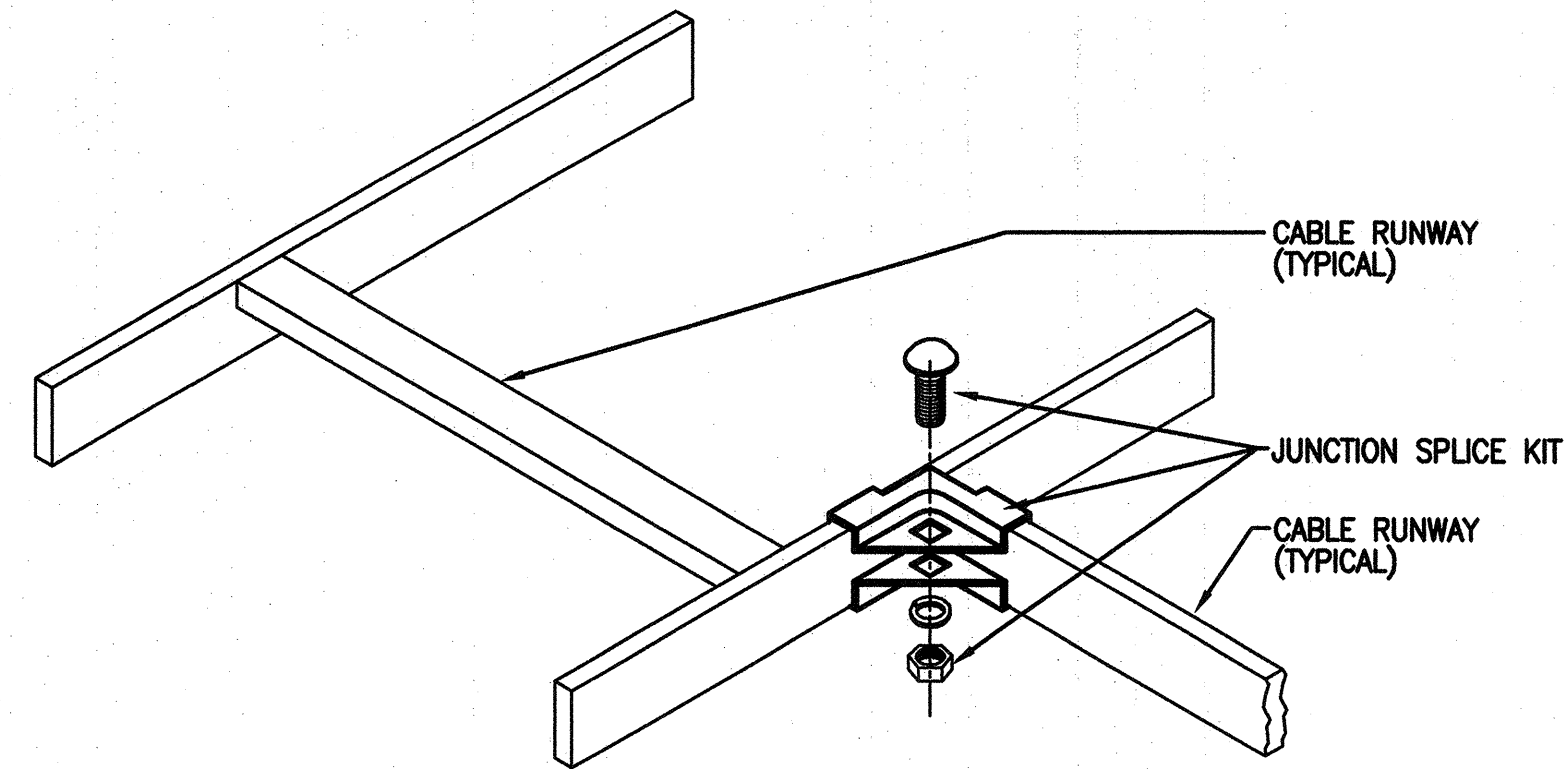


Copyright © 2005 Steinberg Architects. All rights reserved. These Plans and/or Specifications are intended for the sole benefit of Skyline College and may not be used, reprinted, copied, or reproduced in any form without the express written consent of Steinberg Architects.

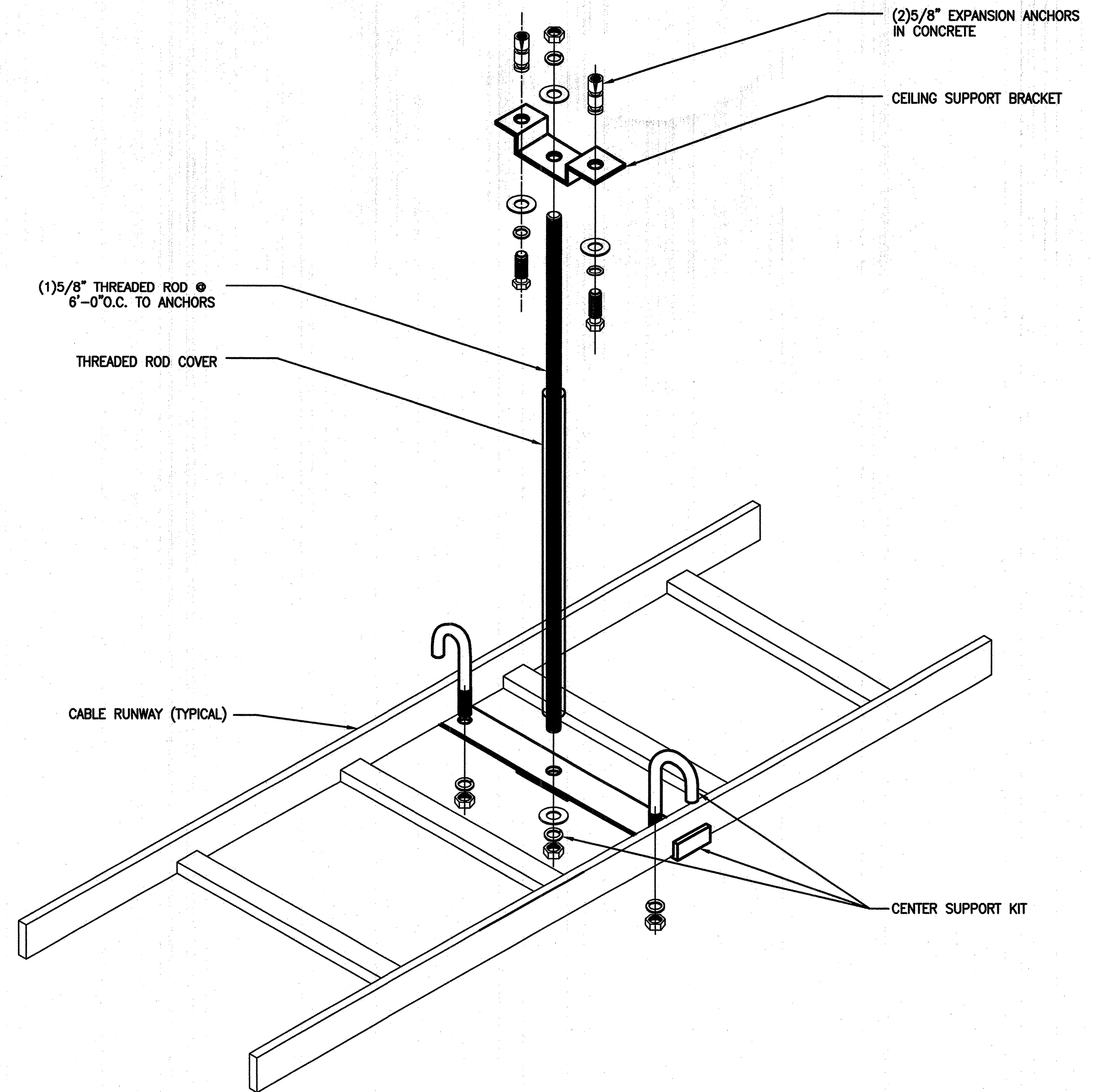
5:000000100112 Skyline College Safety Signage 1/12/02.dwg  
 Plotter: Moshir March 12, 2007 11:32am by mmoshir



LADDER RACK W/JUNCTION SPLICE KIT DETAIL

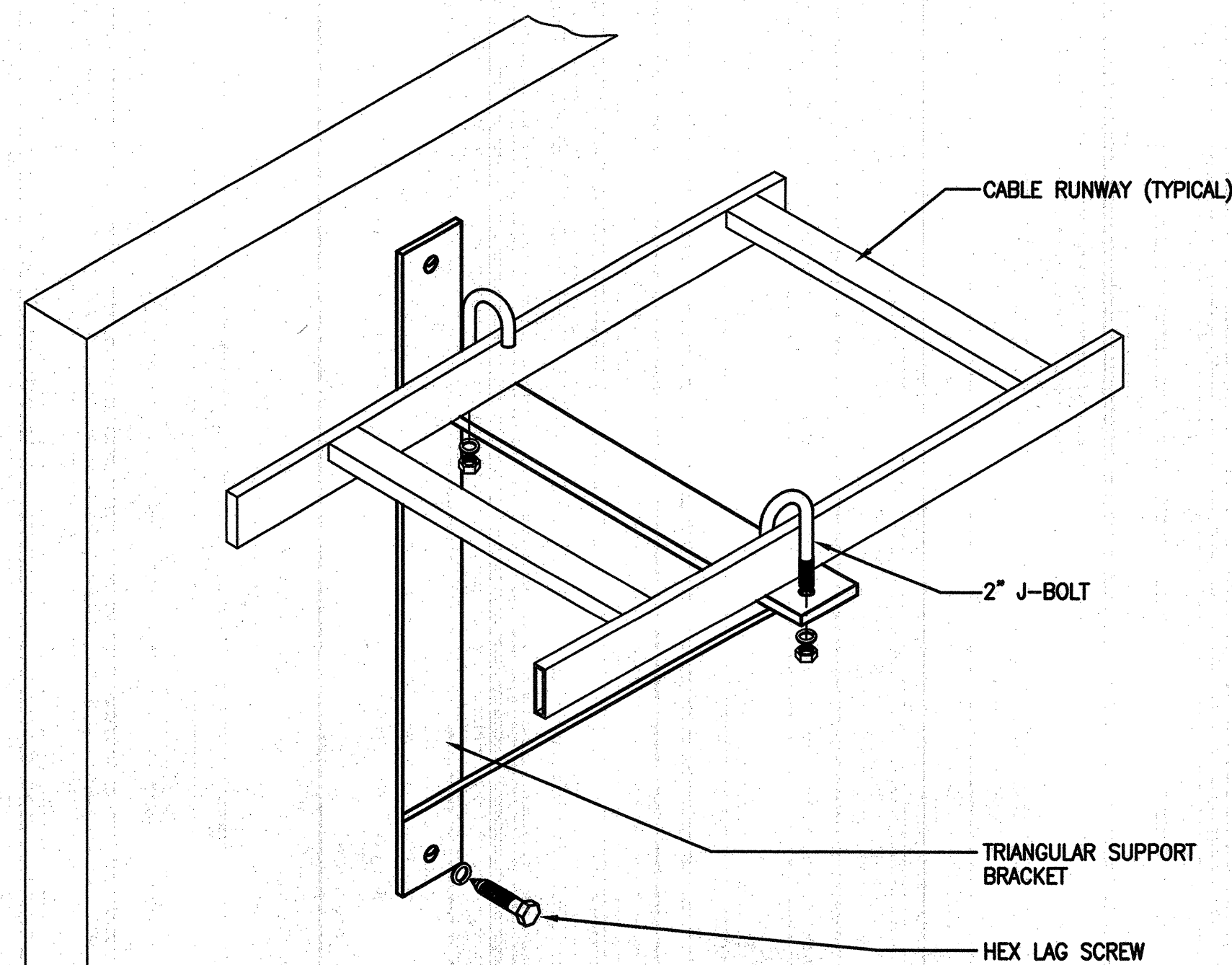
LADDER RACK W/SPLICE KIT DETAIL  
 NOT TO SCALE

3



LADDER RACK CENTER SUPPORT DETAIL  
 NOT TO SCALE

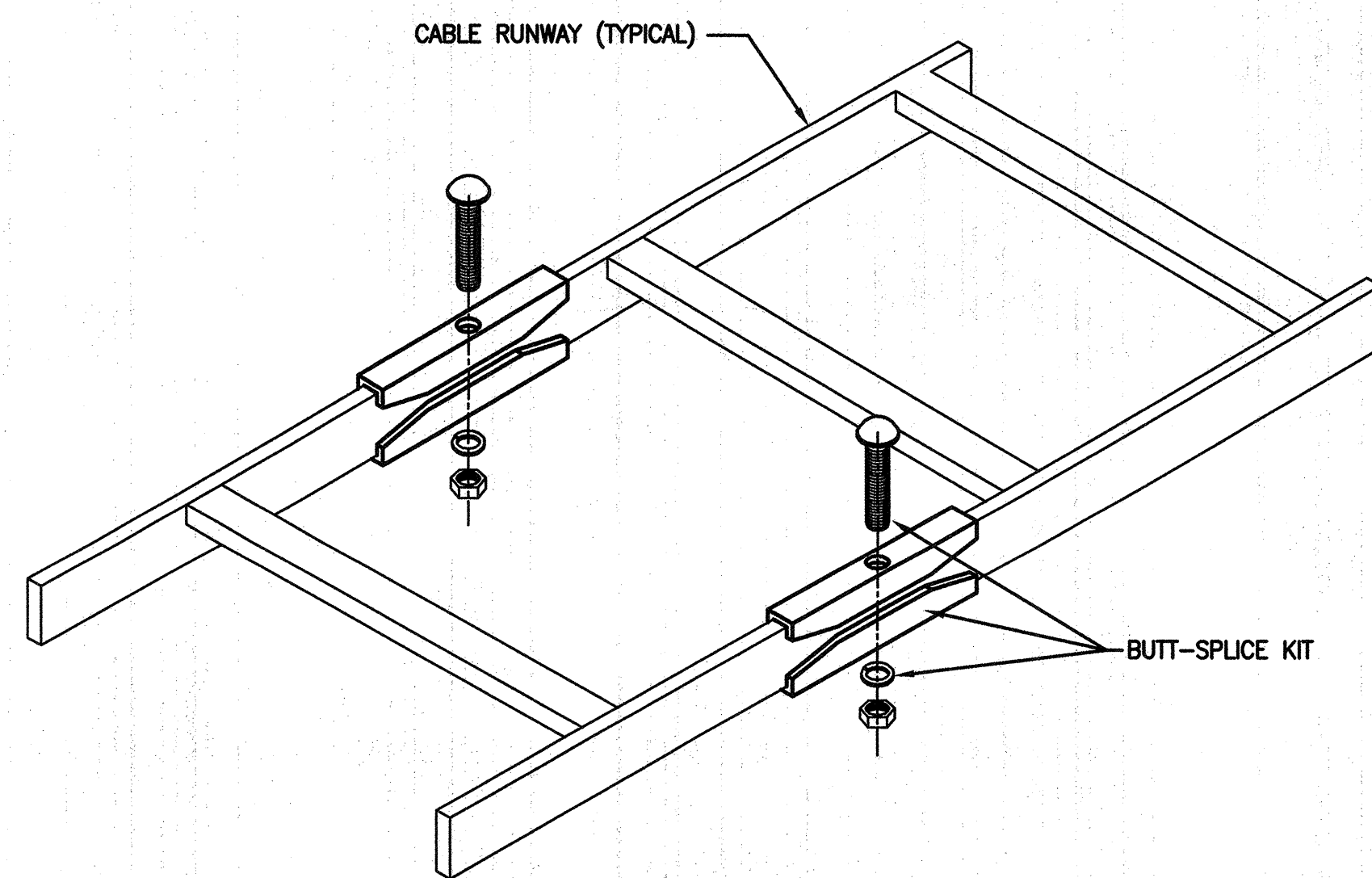
1



NOTE: COORDINATE WITH STRUCTURAL DRAWING 15/A5.02

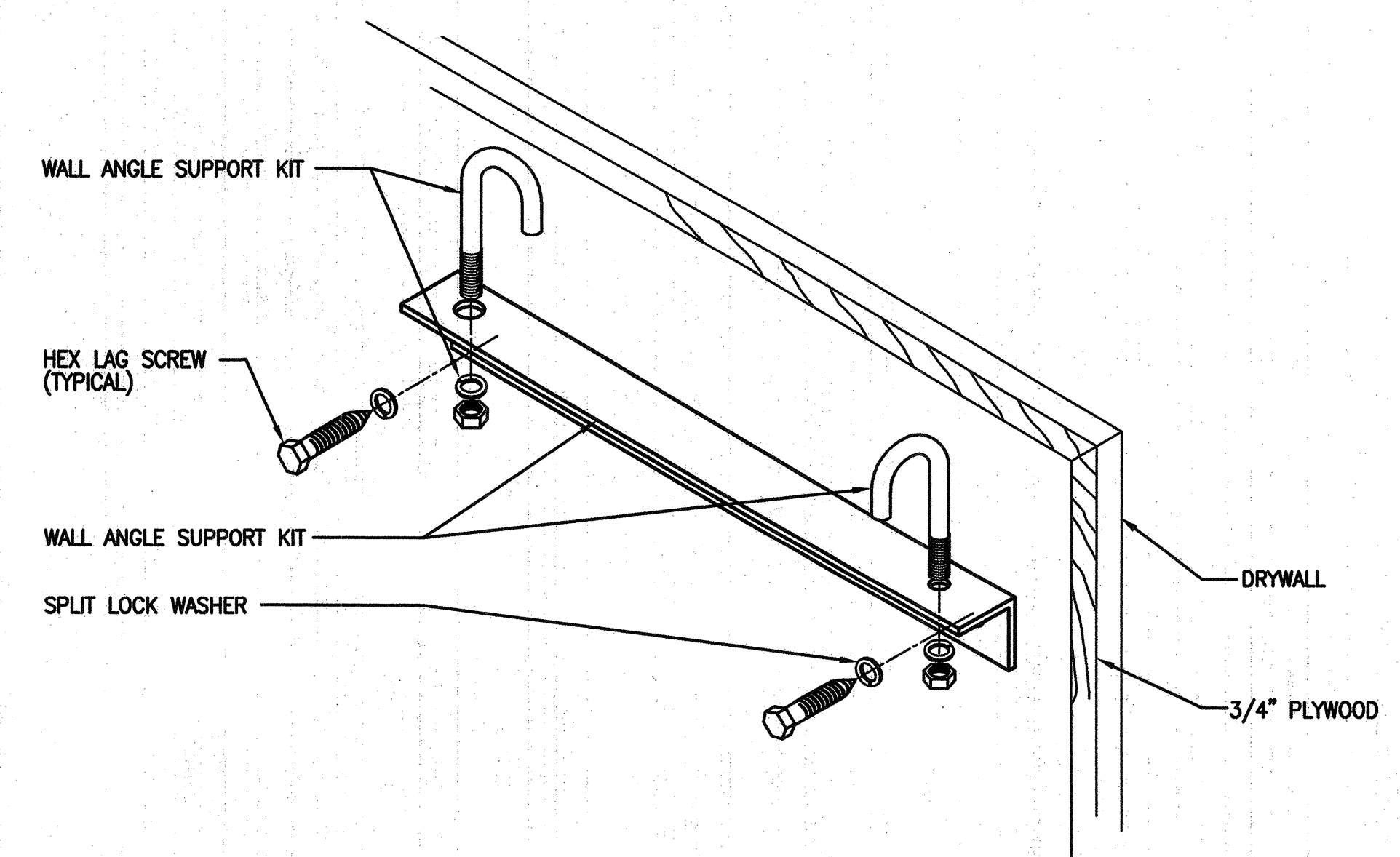
LADDER RACK W/TRIANGULAR SUPPORT BRACKET DETAIL  
 NOT TO SCALE

5



LADDER RACK W/SPLICE KIT DETAIL  
 NOT TO SCALE

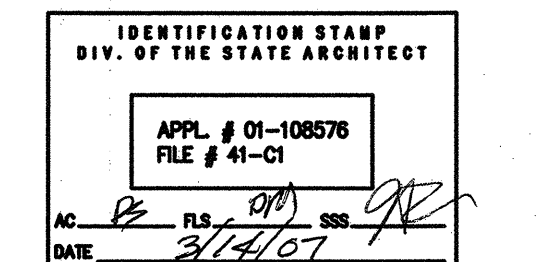
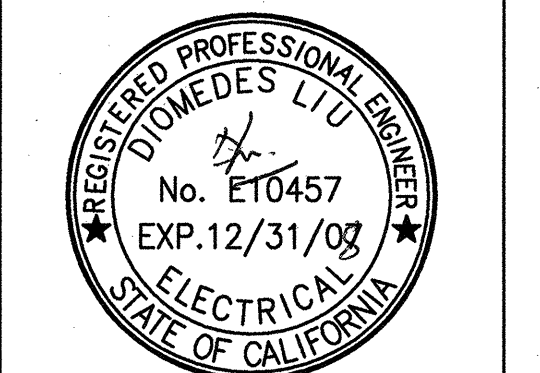
4



ARCHITECTURAL  
 NOTE: COORDINATE WITH STRUCTURAL DRAWING 15/A5.02

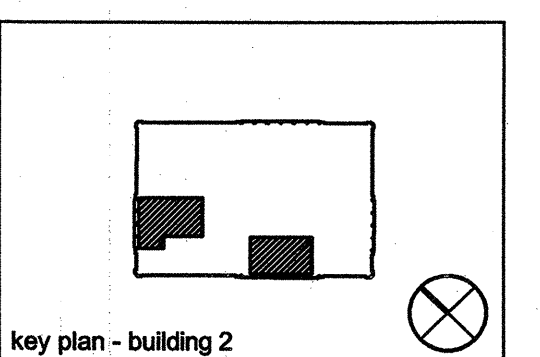
LADDER RACK W/WALL ANGLE SUPPORT KIT DETAIL  
 NOT TO SCALE

2



02.02.07 DSA SUBMITTAL  
 DSA BACKCHECK

rev. date issue



STEINBERG ARCHITECTS  
 project no: 06044 date: 03/15/07  
 drawn by: MVP checked by: JW  
 scale: NTS

TECHNOLOGY  
 LADDER RACK DETAILS