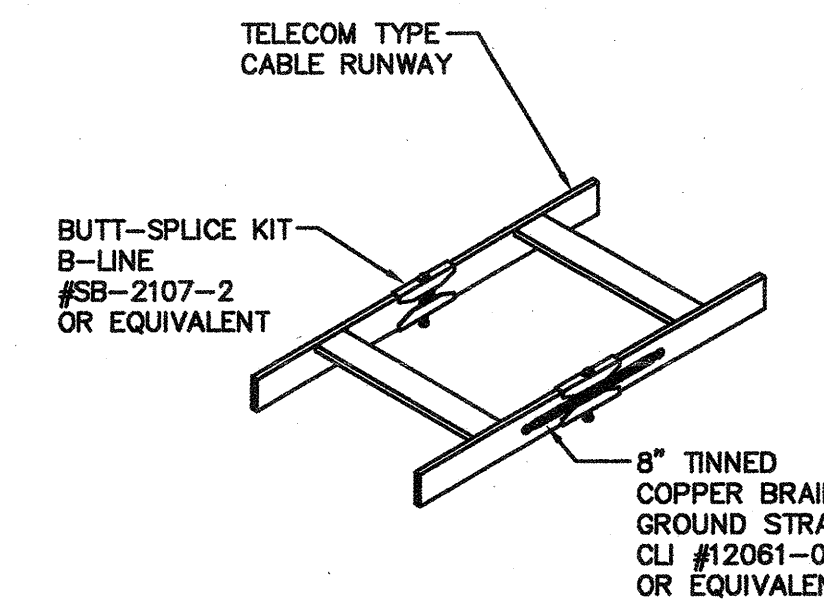
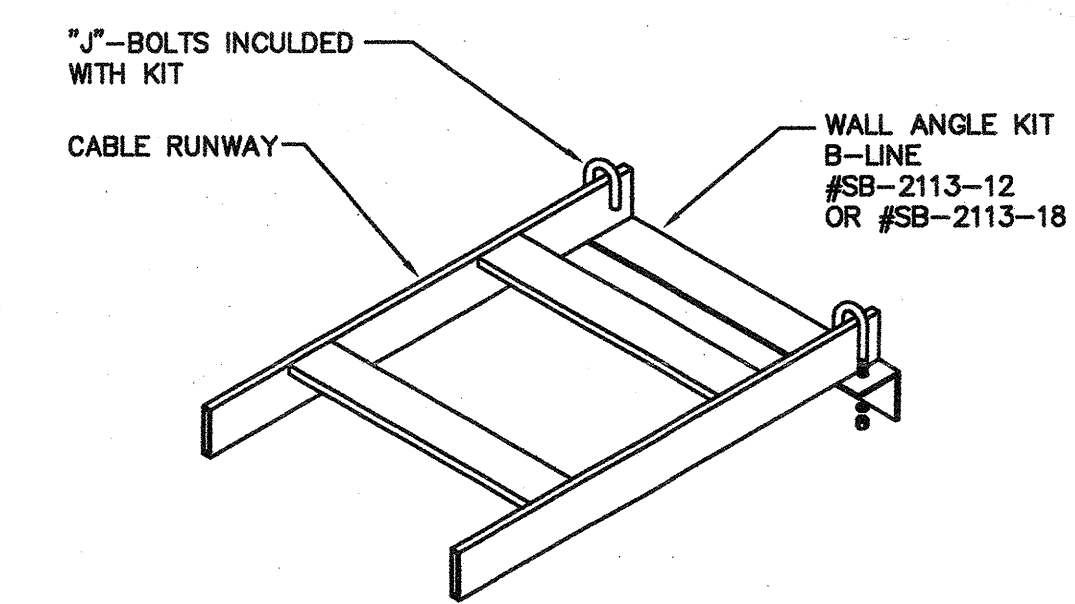


5 CABLE RUNWAY SUPPORT DETAIL
NO SCALE

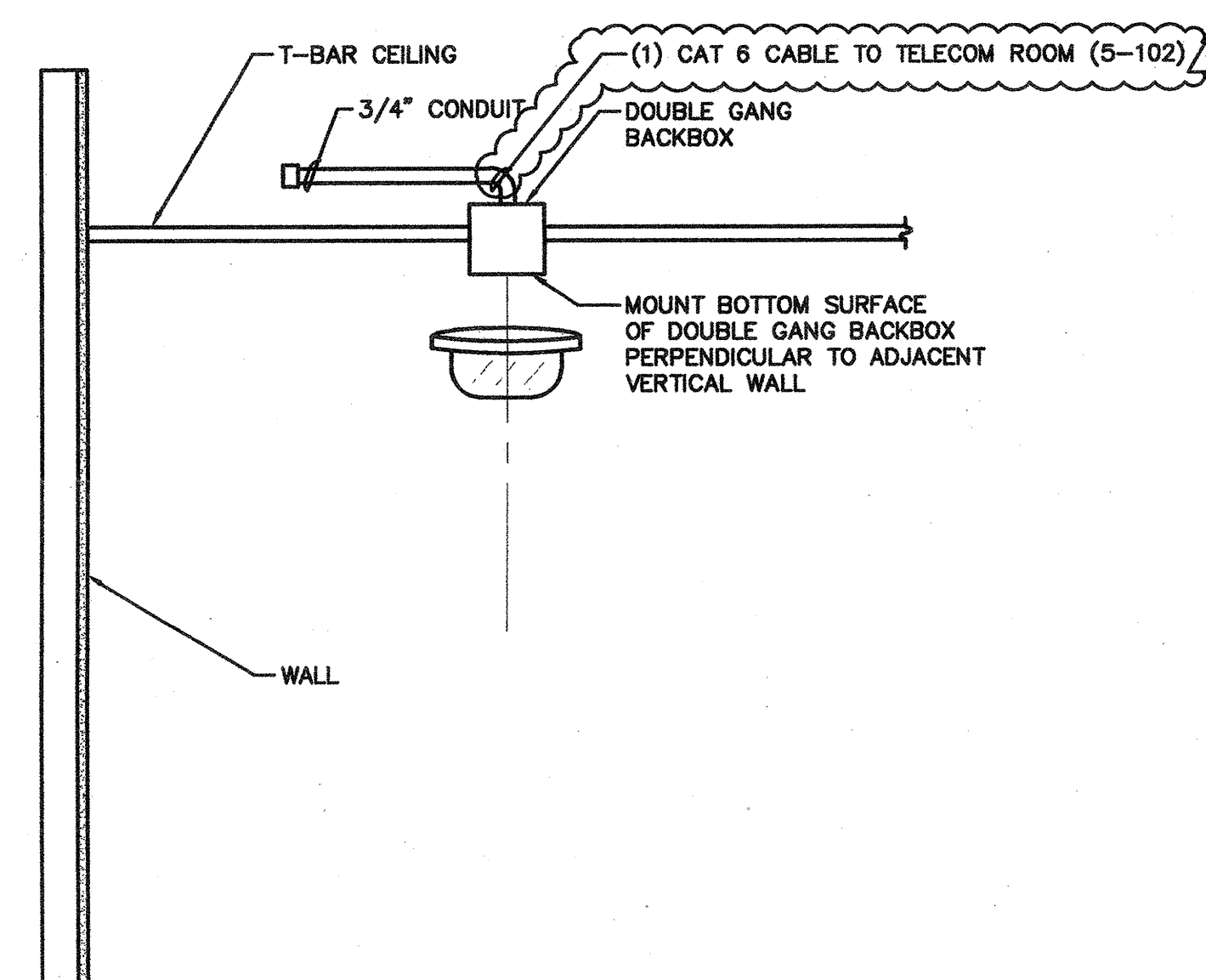


CABLE RUNWAY "T" DETAIL

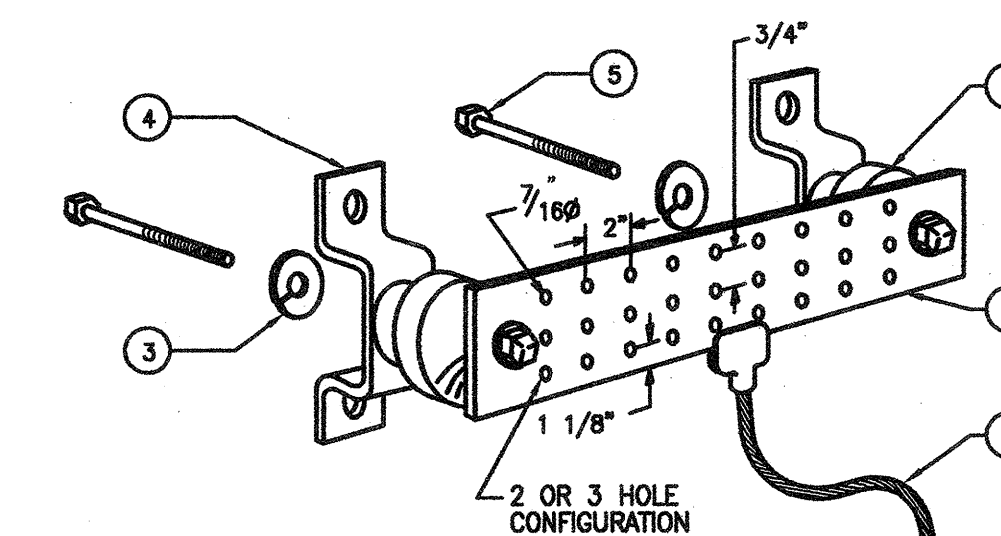


CABLE RUNWAY END-TO-WALL BRACKET DETAIL

1 CABLE RUNWAY MOUNTING DETAILS
NO SCALE

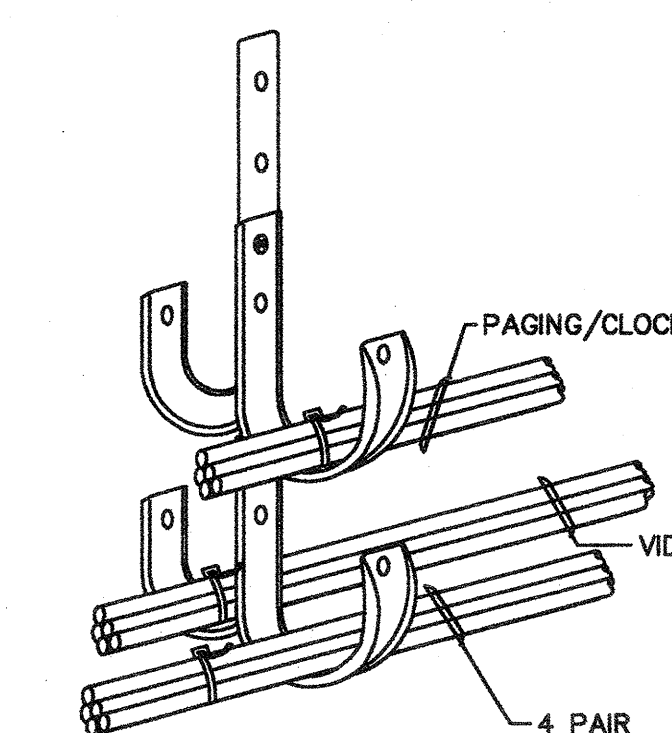


6 CEILING MOUNTED CAMERA DETAIL
NO SCALE

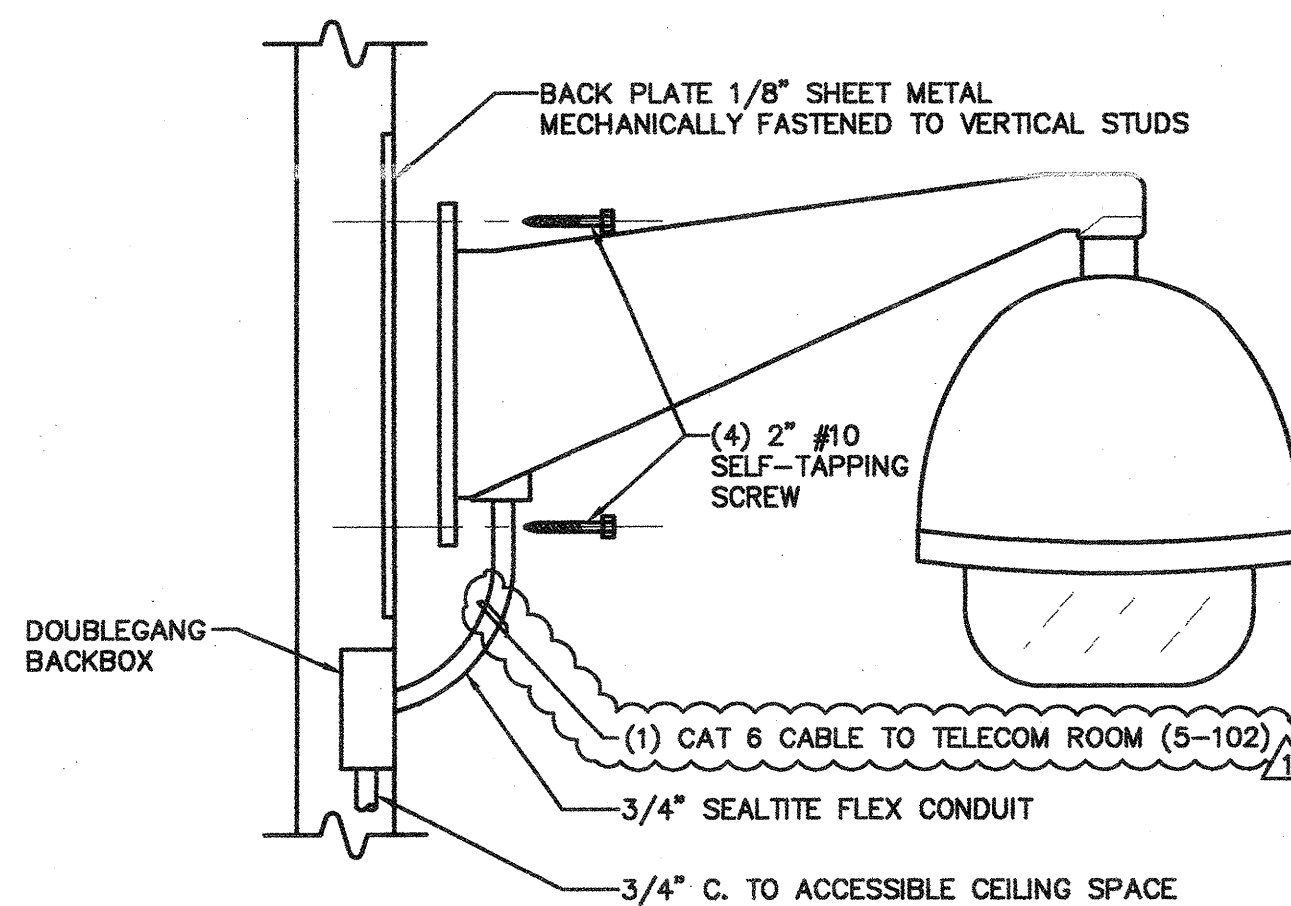


- LEGEND**
- 1- COPPER GROUND BAR, 1/4" X 4" X 10", HOLE CENTERS TO MATCH NEMA DOUBLE LUG CONFIGURATION
 - 2- INSULATORS
 - 3- 5/8" LOCKWASHERS
 - 4- WALL MOUNTING BRACKET
 - 5- 5/8-11 X 1" H.H.C.S.BOLTS
 - 6- 3/0 BARE COPPER GROUND CONDUCTOR TO MAIN SERVICE EQUIPMENT GROUND.

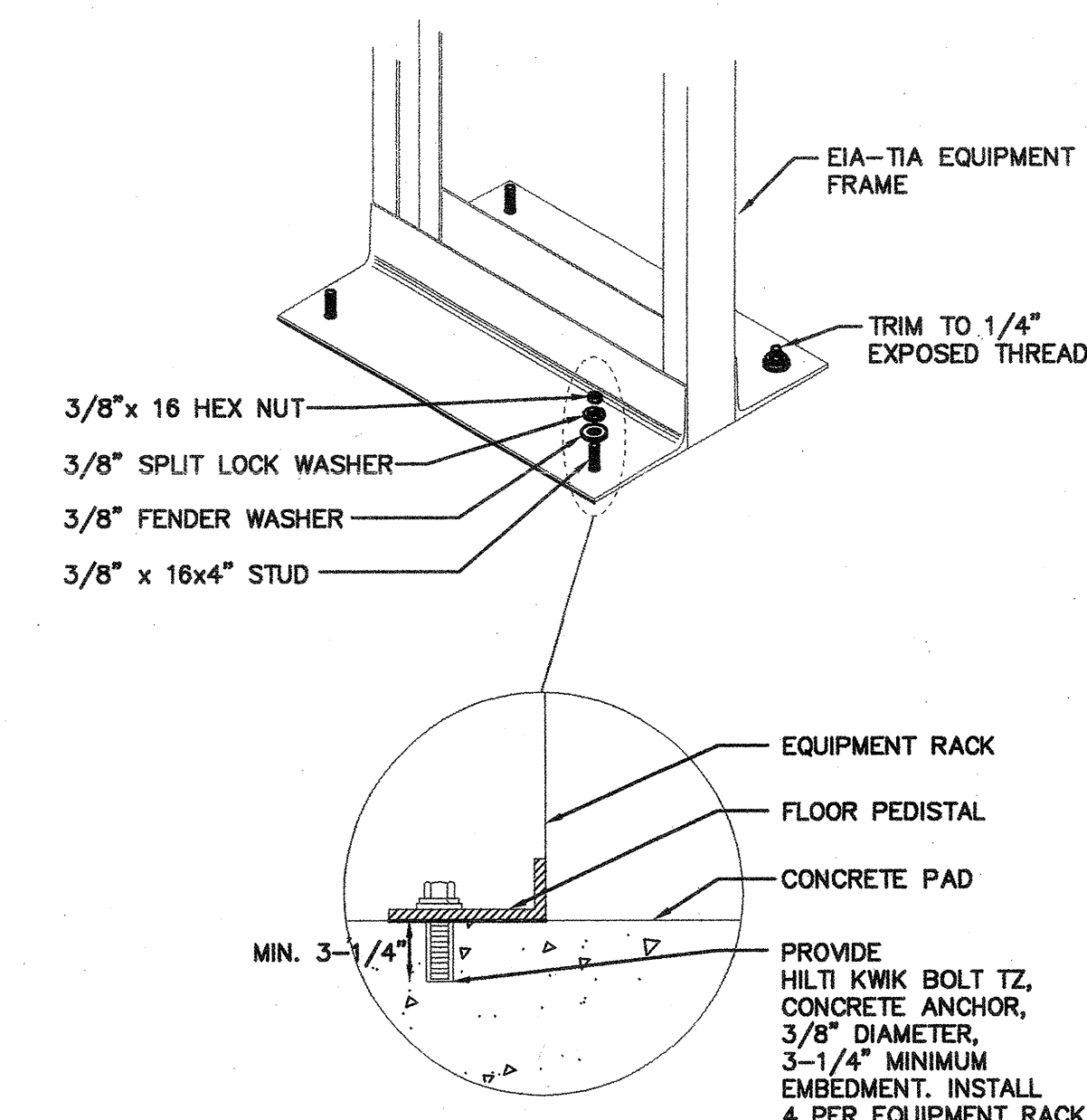
2 GROUND BUS BAR DETAIL
NO SCALE



3 J-HOOK DETAIL
NO SCALE



7 WALL CAMERA MOUNTING DETAIL
NO SCALE



4 RACK MOUNTING DETAIL
NO SCALE

Bunton Clifford Associates, Inc.
210 Hammond Ave.
Fremont, California 94539
[T] 510.445.1000
[F] 510.445.1005
www.BCAincOnline.com

PROJECT 2007-0731
CONTACT Valeria Torres
INTERFACE
ENGINEERING
717 Market Street
Suite 500
San Francisco, CA 94103
TEL 415.489.7240
FAX 415.489.7289
www.interfaceengineering.com

ARCHITECT	ENGINEER

GENERAL NOTES

- This sheet is part of a set and is not to be used alone.
- This sheet is not to be used for construction unless the architect's stamp and signature appear on the drawings and the status box indicates drawings have been released for construction.
- These plans and prints thereof, as instruments of service, are owned by the architect and are for use on this project only. Reproduction and/or distribution without the prior written consent of the architect is forbidden.
- Copyright Bunton Clifford Associates, 2007

REVISIONS	DATE
ADDENDUM NO. 1	08/18/09

DRAWING STATUS	DATE
DSA PLAN CHECK	08/28/08
DSA BACK CHECK	01/22/09
REVISION (AND REASON)	08/18/09
CONSTRUCTION	

FILE NO. 41-C1
IDENTIFICATION STAMP
DIV. OF THE STATE ARCHITECT
01- 110074
AC. FLS. SS.
DATE

**BUILDINGS 5 & 6
RENOVATIONS**

San Mateo County Community
College District

BID ADDENDA

APPROVED
DIV. OF THE STATE ARCHITECT
AC. FLS. SS. DATE 02/17/10

CAÑADA COLLEGE
4200 Farm Hill Boulevard
Redwood City, CA 94061

TECHNOLOGY DETAIL SHEET

Date 08/29/08
Drawing Number T6.1
Scale AS NOTED
Project Number 07013