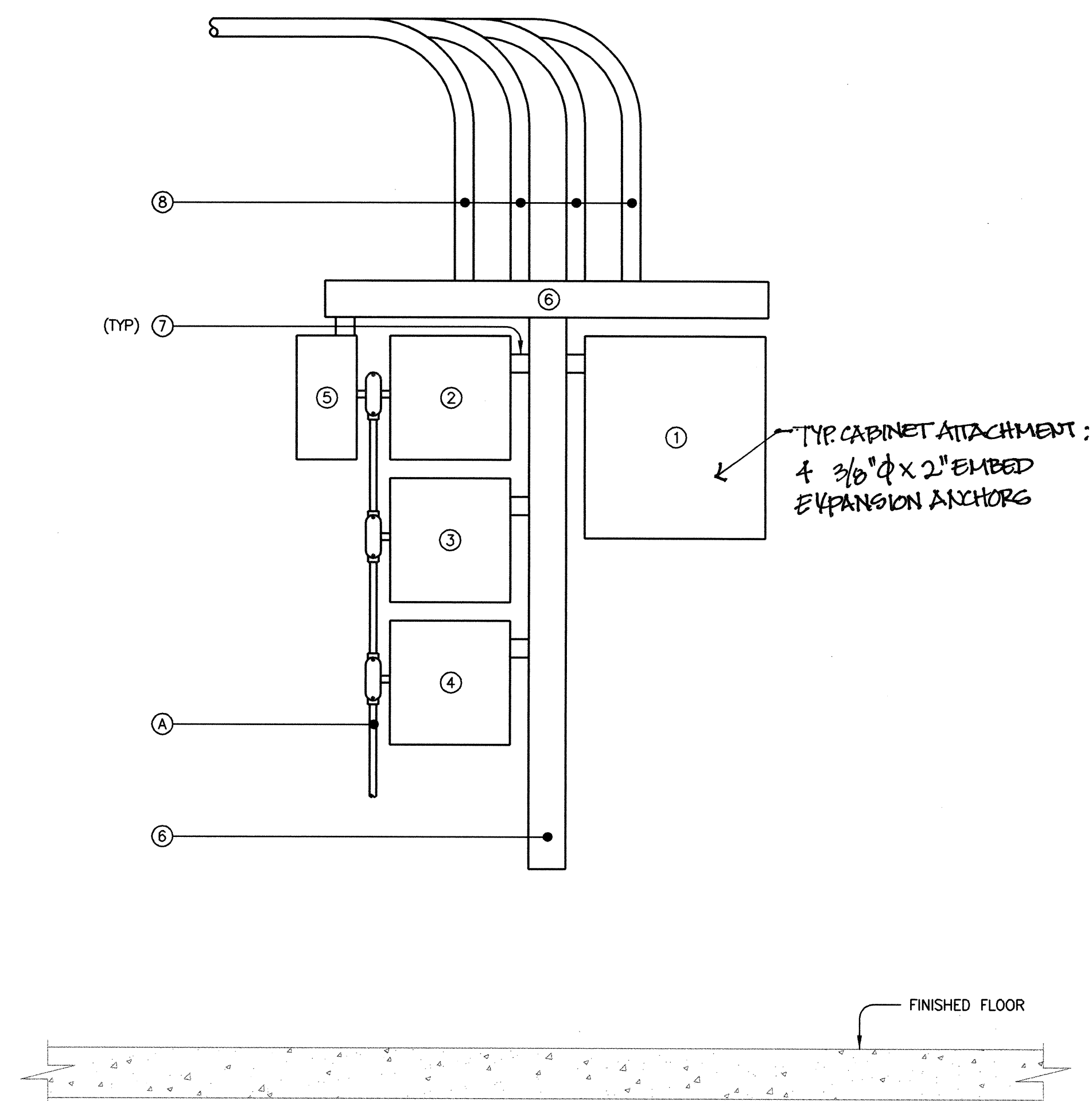


THEORY OF OPERATION:

- NORMAL DOOR STATE IS CLOSED AND LOCKED AT ALL TIMES.
- DOOR IS LOCKED ON THE NON-PROTECTED SIDE AND UNLOCKED ON THE PROTECTED SIDE.
- TO OPEN DOOR FROM NON-PROTECTED SIDE, CARD MUST BE PRESENTED TO UNLOCK DOOR.
- REQUEST TO EXIT MOTION DETECTOR BYPASSES ALARM ONLY ON EXIT.

CARD READER PAIR (LOCKSET)
SCALE: NONE

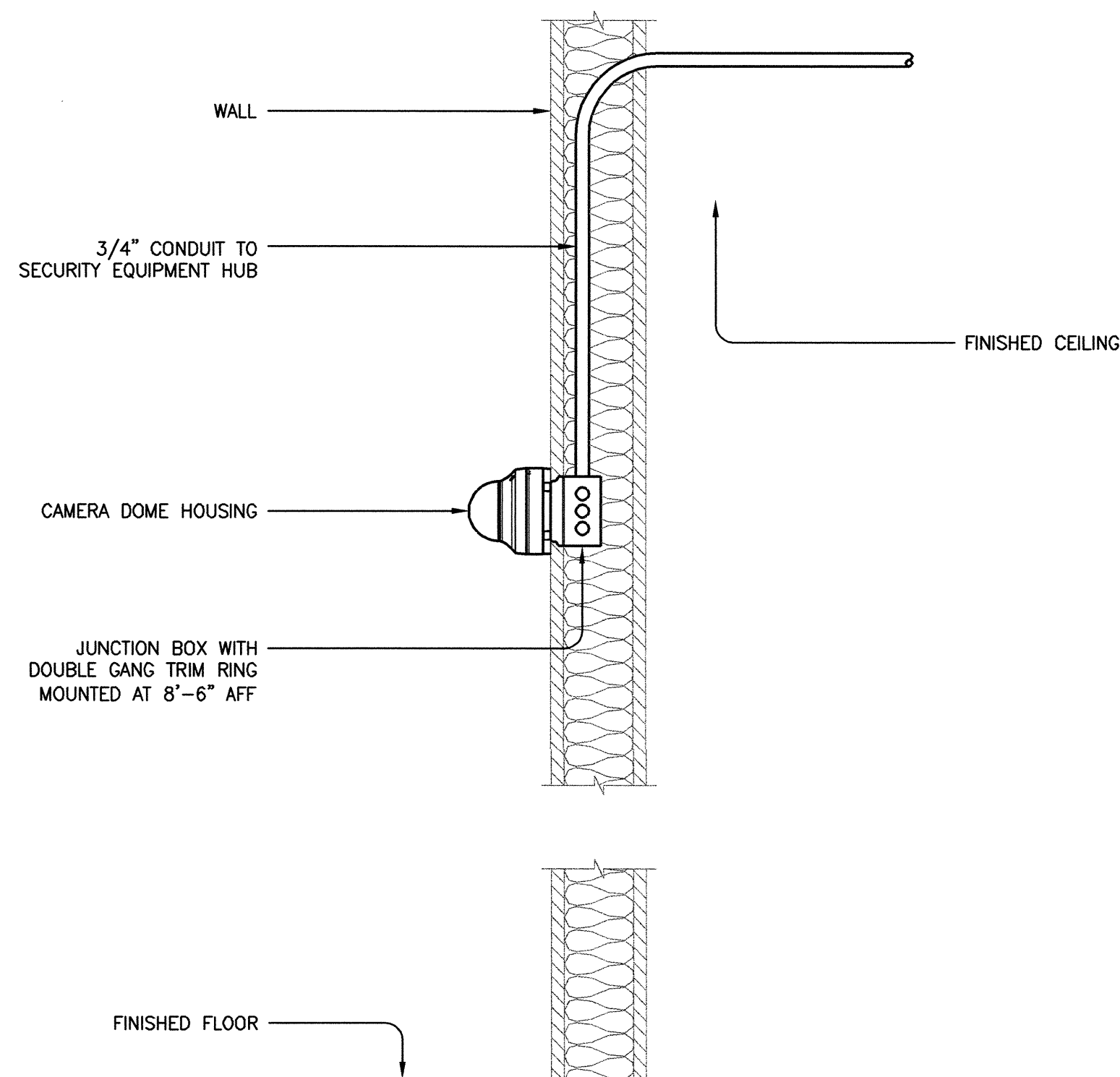
1



NOTE: 1. ALL EQUIPMENT SHOWN WEIGHS UNDER 20 LBS.

SECURITY EQUIPMENT ELEVATION
SCALE: 1" = 1'-0"

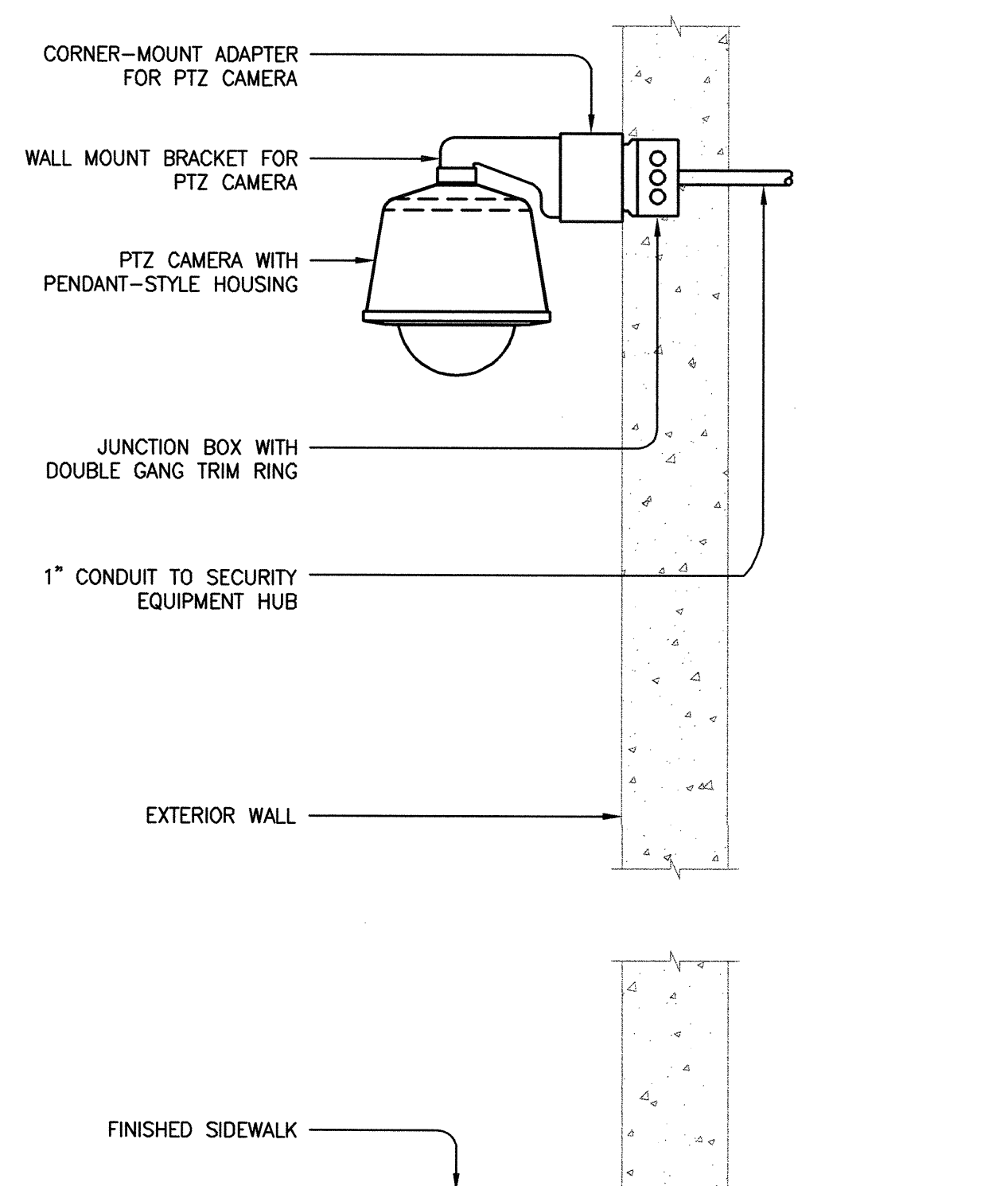
2



DETAIL APPLIES TO THE FOLLOWING CAMERA SYMBOLS

MINI-DOME IP CAMERA (WALL MOUNT)
SCALE: NONE

3



DETAIL APPLIES TO THE FOLLOWING CAMERA SYMBOLS

PTZ CAMERA - CORNER MOUNT
SCALE: NONE

4

GENERAL SHEET NOTES

1. SECURITY DEVICE ELEVATION DIAGRAMMATIC. PROVIDE DEVICES AS REQUIRED TO HANDLE THE SECURITY FIELD EQUIPMENT SHOWN ON THE FLOOR PLANS.
2. INSTALL 1/2" C BETWEEN JUNCTION BOXES AND DEVICES.
3. VIEW OF DOORS ALWAYS FROM THE PROTECTED SIDE, U.O.N.
4. JUNCTION BOXES ARE 4" SQ. X 2-1/8" D, U.O.N.
5. DASHED SYMBOLS AND JUNCTION BOXES INDICATE DEVICES ON THE OPPOSITE SIDE OF THE WALL.
6. CENTER OF DEVICE JUNCTION BOXES ARE MOUNTED 6" AWAY FROM THE LATCH SIDE OF THE DOOR.
7. DOOR CONTACTS MOUNTED 6" AWAY FROM THE LATCH SIDE OF THE DOOR, U.O.N.
8. FLUSH MOUNT JUNCTION BOXES INSTALLED BELOW THE CEILING LINE.
9. CONCEAL CONDUIT MOUNTED BELOW THE CEILING LINE IN THE WALLS.
10. CONDUIT AND JUNCTION BOXES ARE NEW, U.O.N.
11. INSTALL REQUEST TO EXIT DEVICES ON PROTECTED SIDE OF DOOR U.O.N.
12. SECURITY CONTRACTOR RESPONSIBLE FOR TERMINATING CABLE TO TRANSFER HINGE AS WELL AS LOCK BODY. COORDINATE WITH HARDWARE SUPPLIER AS LOCKS INSTALLED.
13. DOORS AND FRAMES MUST BE FACTORY FABRICATED FOR SECURITY DEVICES INCLUDING LOCK WIRE PATHWAY, 1" DOOR CONTACTS, AND ACCESS HOLE BEHIND ELECTRIC TRANSFER HINGE. COORDINATE LOCATIONS AND SIZES WITH DEVICE MANUFACTURERS INSTALLATION TEMPLATES.
14. LOCATE ALL JUNCTION BOXES AND LOCAL POWER SUPPLIES ABOVE ACCESSIBLE CEILING GRID ON SECURE SIDE OF PROTECTED DOOR.

NUMBERED SHEET NOTES

SECURITY:

- [S-1] REQUEST-TO-EXIT MOTION DETECTOR MOUNTED ON PROTECTED SIDE OF DOOR.
- [S-2] PROVIDE RECESSED MOUNTED 1" DIAMETER DOUBLE POLE DOUBLE THROW MAGNETIC CONTACTS. U.O.N.

ELECTRICAL:

- [E-1] PROVIDE A 1-GANG DEVICE RING FOR THE 4" SQ BOX. MOUNT AS CLOSE TO DOOR AS POSSIBLE.
- [E-2] PROVIDE A 1-GANG DEVICE RING FOR THE 4" SQ BOX MOUNTED HORIZONTALLY.
- [E-3] STUB PATHWAY ABOVE CENTER HINGE FOR FISHING WIRE TO ELECTRIC THROUGH WIRE HINGE.
- [E-4] PROVIDE A 2-GANG DEVICE RING FOR THE 4" SQ BOX.

EQUIPMENT LIST

EQUIP. #	DESCRIPTION/COMMENT
①	ACCESS CONTROL SYSTEM ENCLOSURE
②	DEVICE POWER SUPPLY: 12VDC CONTINUOUS POWER SUPPLY
③	LOCK POWER SUPPLY: 24VDC POWER SUPPLY
④	CAMERA POWER SUPPLY: 24VAC
⑤	EXTERNAL TRANSFORMER FOR ACCESS CONTROL SYSTEM
⑥	4"x4"x48" NEMA TYPE-1 SCREW COVER GUTTER RACEWAY
⑦	2" CHASE NIPPLE
⑧	1-1/4" CONDUIT(S) TO FIELD DEVICES

ELECTRICAL POWER LIST

EQUIP. #	DESCRIPTION/COMMENT
④	DEDICATED 120VAC/20A HARDWIRED TO EACH POWER SUPPLY