

SECURITY DOOR SCHEDULE					
SHEET NUMBER	FLOOR	DOOR NUMBER	DETAIL SHEET	SECURITY CONFIGURATION	COMMENTS
SY2.01	LEVEL 1	30A	SY5.01/1	CARD READER W/KEYPAD, MAGNETIC DOOR CONTACTS, REX	-
SY2.01	LEVEL 1	30B	SY5.01/1	CARD READER, MAGNETIC DOOR CONTACTS, REX	-

SECURITY CAMERA SCHEDULE			
CAMERA SYMBOL	DESCRIPTION	DETAIL SHEET	COMMENTS
	IP 360° EXTERIOR CAMERA - WALL MOUNT	SY501/4	MOUNT CAMERA AT 12' AFF

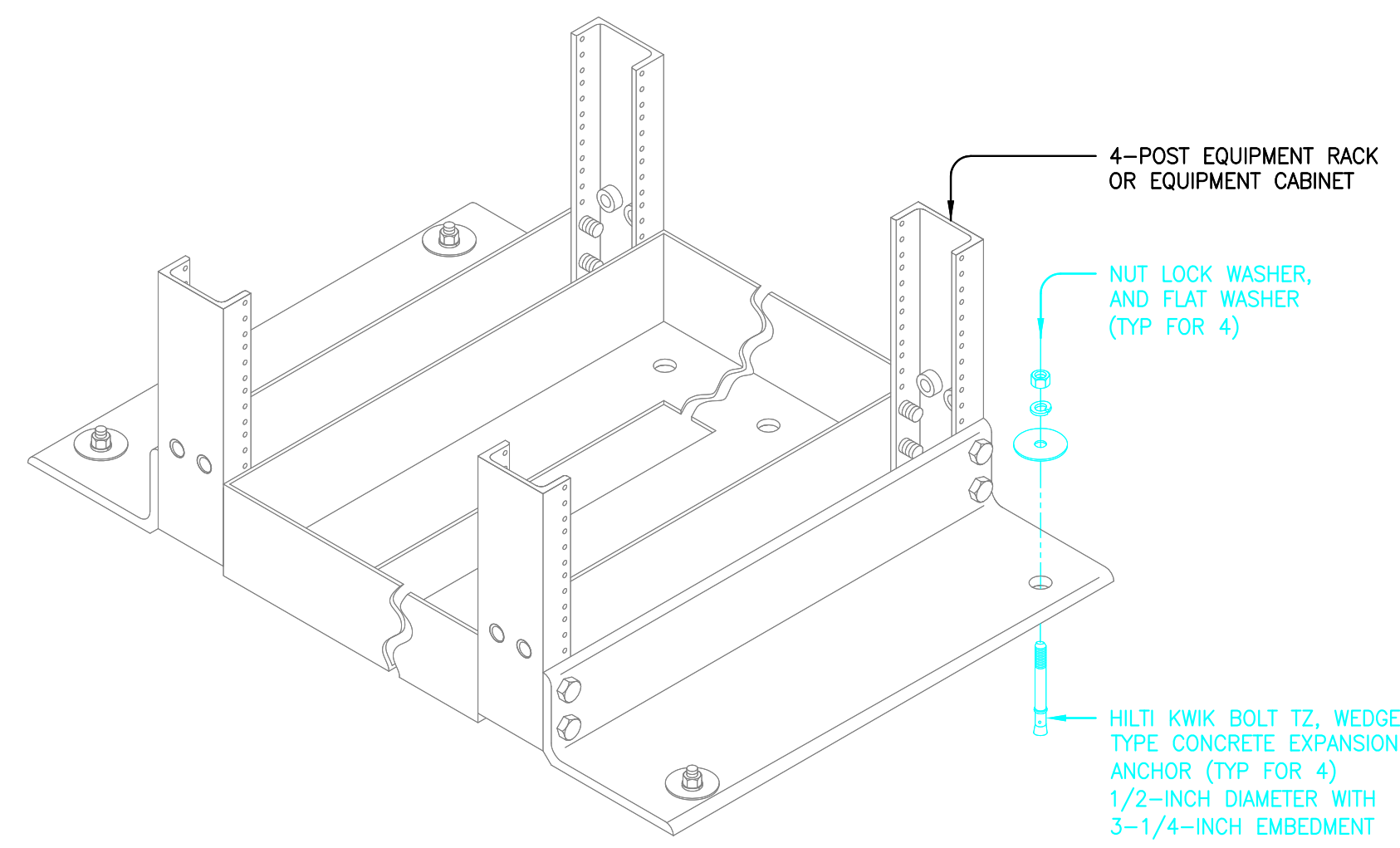
**SHEET NOTES**

- HOME RUN SECURITY DEVICE CABLING TO SECURITY EQUIPMENT HUB.
- PROVIDE CONDUIT FROM EACH FIELD DEVICE TO SECURITY EQUIPMENT HUB. FIELD DETERMINE CONDUIT ROUTES.

**NUMBERED NOTES**

**TELECOMMUNICATIONS:**

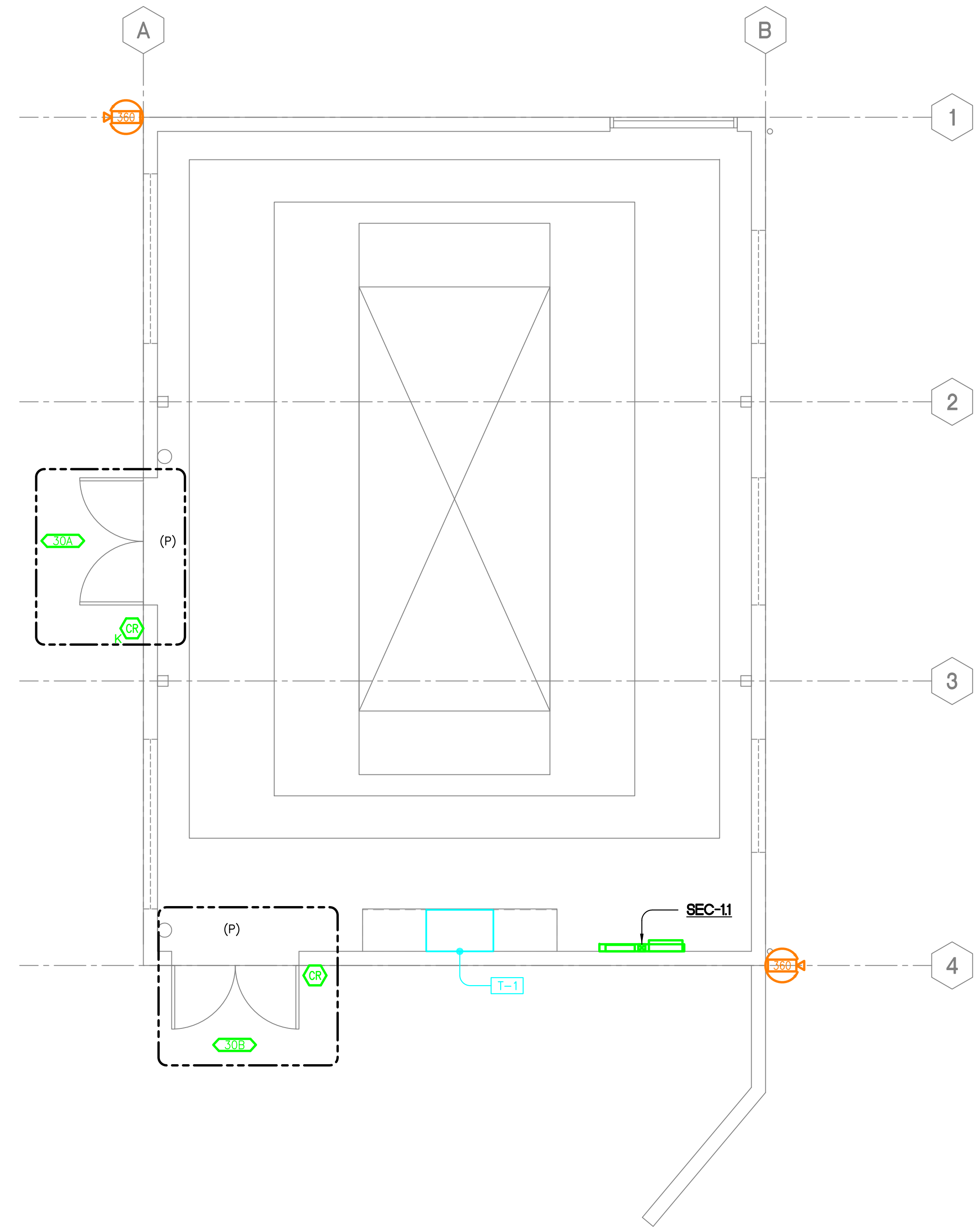
**1-1** TELECOMMUNICATIONS EQUIPMENT CABINET, REFER TO SPECIFICATION SECTION 271513 FOR REQUIREMENTS. REFER TO 2/SY2.01 FOR ANCHORING DETAILS AND STRUCTURAL CALCULATION. PAGE E-1 FOR CALCULATIONS.



NOTE: 1. REFER TO SPECIFICATIONS FOR EQUIPMENT RACK TYPE AND SIZE.

**EQUIPMENT CABINET ANCHORING**  
SCALE: NONE

**FLOOR PLAN - BUILDING 30**  
SCALE: 1/4"=1'-0"



**IDENTIFICATION STAMP**  
DIVISION OF THE STATE ARCHITECT  
APPLICATION NUMBER 01-111618  
AC \_\_\_\_\_ FS \_\_\_\_\_ BS \_\_\_\_\_  
DATE \_\_\_\_\_

**CALIFORNIA STATE FIRE MARSHAL**  
APPROVED  
APPROVAL OF THIS PLAN DOES NOT AUTHORIZE OR APPROVE ANY  
CONSTRUCTION OR DEVIATION FROM APPLICABLE REGULATIONS. FINAL  
APPROVAL IS SUBJECT TO REGISTRATION. ONE SET OF APPROVED  
PLANS SHALL BE AVAILABLE ON THE PROJECT SITE AT ALL TIMES.  
REVIEWED BY: \_\_\_\_\_ DATE: \_\_\_\_\_

**CAÑADA COLLEGE**  
Electrical  
Infrastructure  
Replacement  
Project  
4200 Farm Hill Blvd  
Redwood City, CA 94061

**LICENSED ARCHITECT**  
CHRISTOPHER NOLL  
REN. 12/31/11  
C15916  
STATE OF CALIFORNIA

**RECORD DRAWING**

**SHEET TITLE**  
**Floor Plan**  
**Building 30**

REVISIONS		
NO.	DATE	DESCRIPTION

DATE July 9, 2012  
DRAWN T&CM  
CHECKED MAPA  
SCALE 1/4" = 1'-0"  
JOB NO. 2921.01

**SHEET NUMBER**  
**SY2.01**

