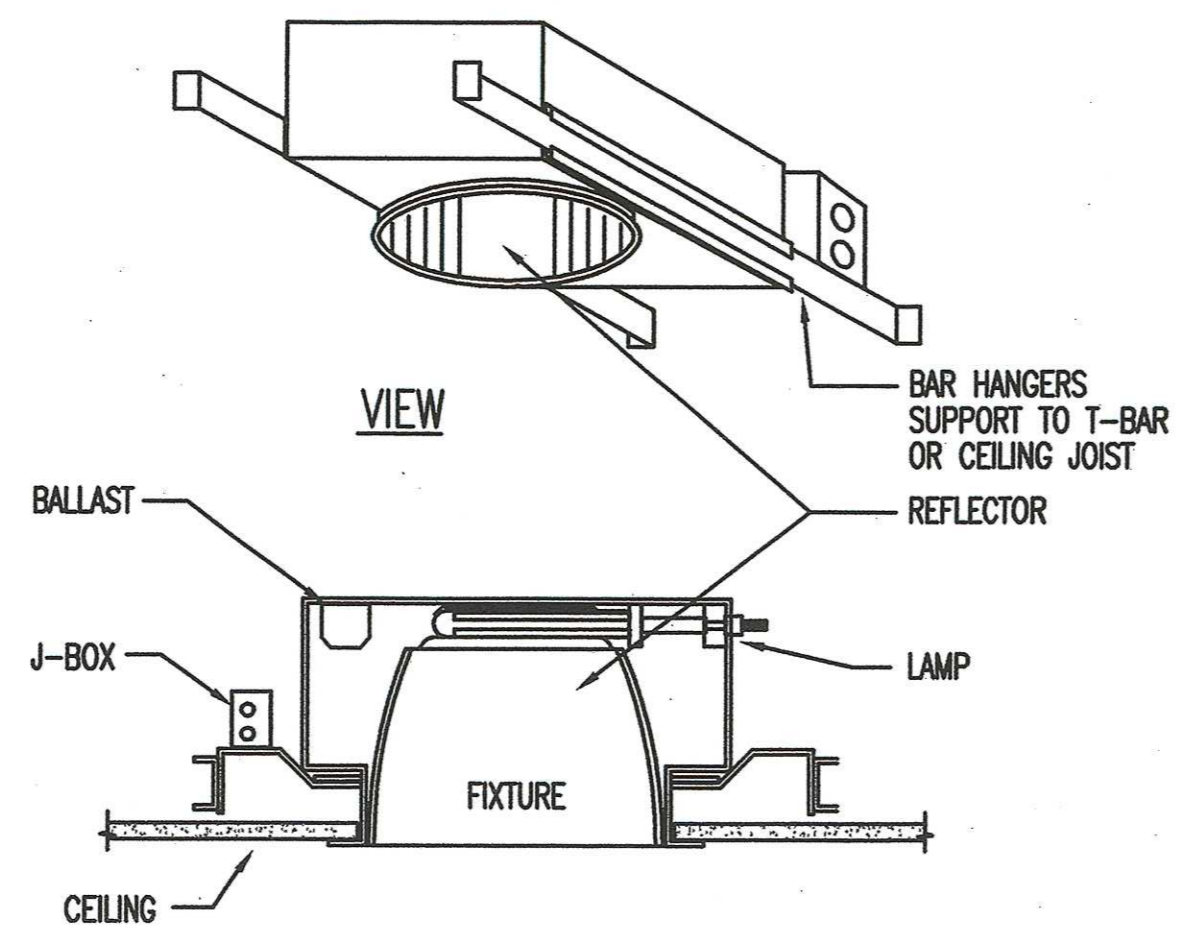
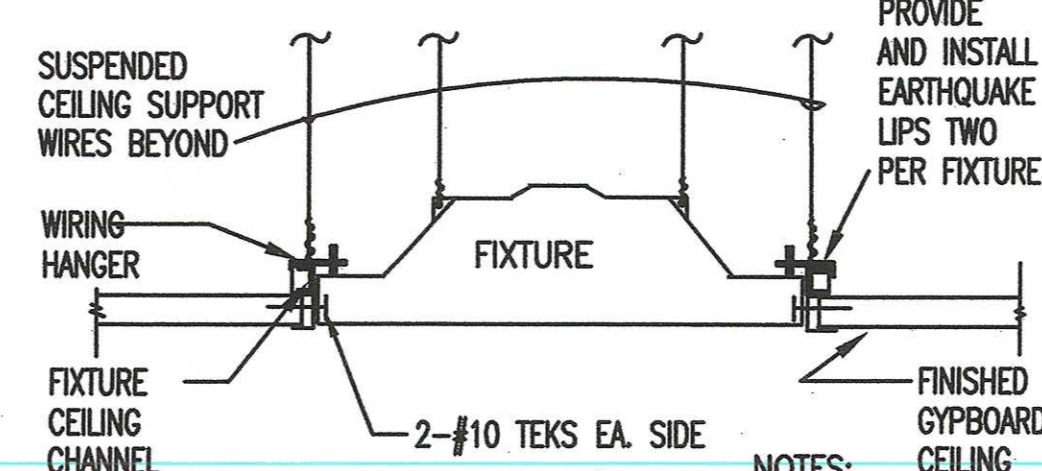
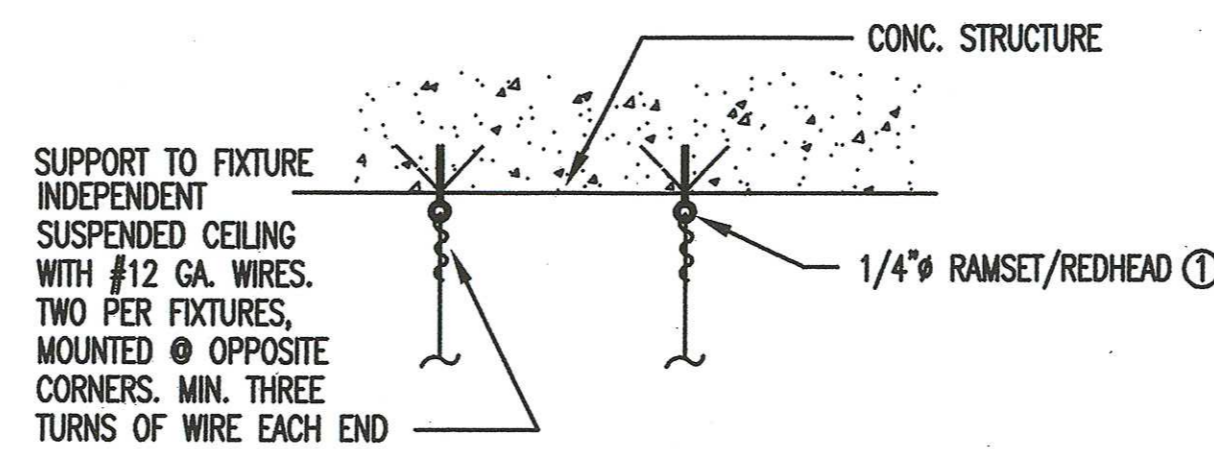


NOTES:
① REFER TO S0.1 FOR HILTI KB3 OR ITW RAMSET/RED HEAD TRUBOLT REQUIREMENTS FOR EMBEDMENT DEPTH, TEST LOAD ETC.

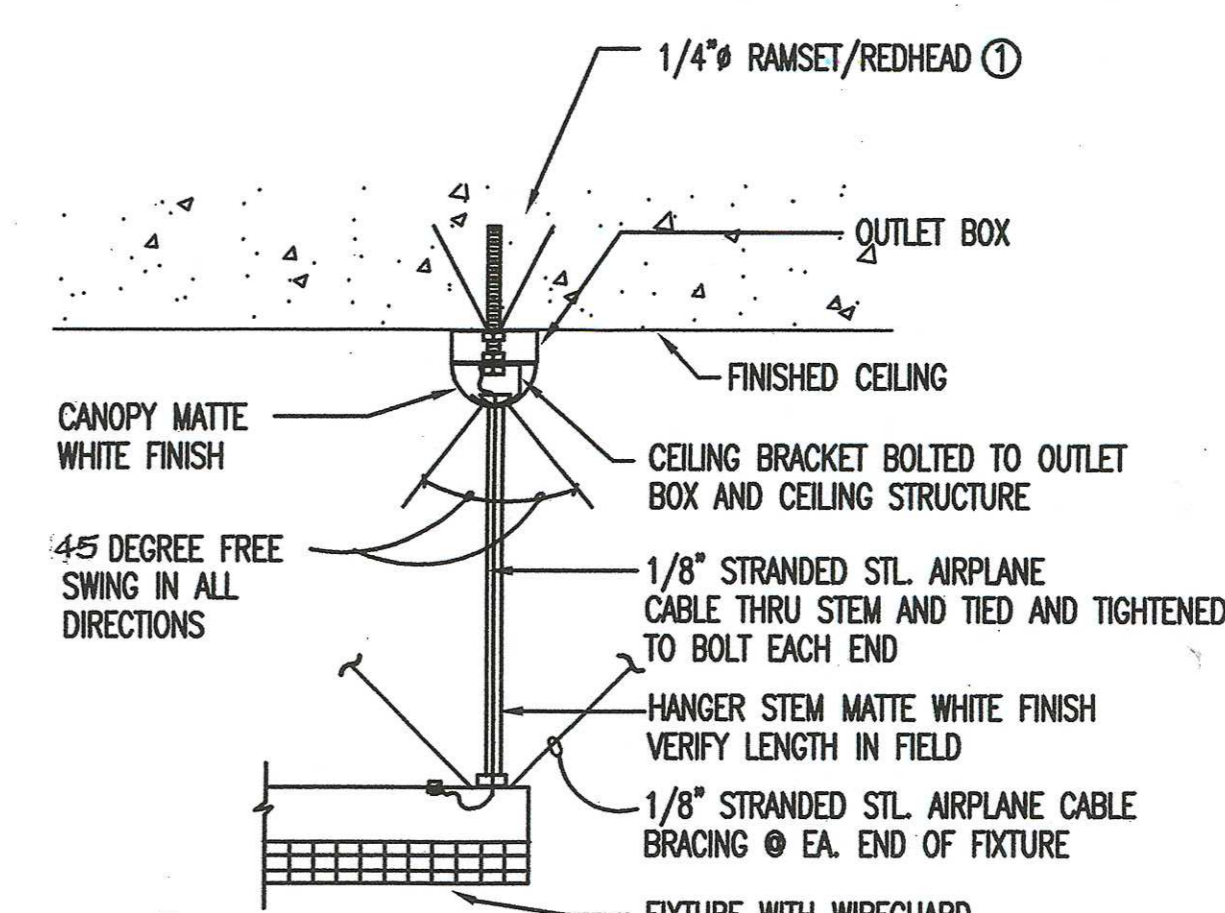


RECESSED CEILING MOUNTING DETAIL WITH WOOD FRAMING
NOT TO SCALE



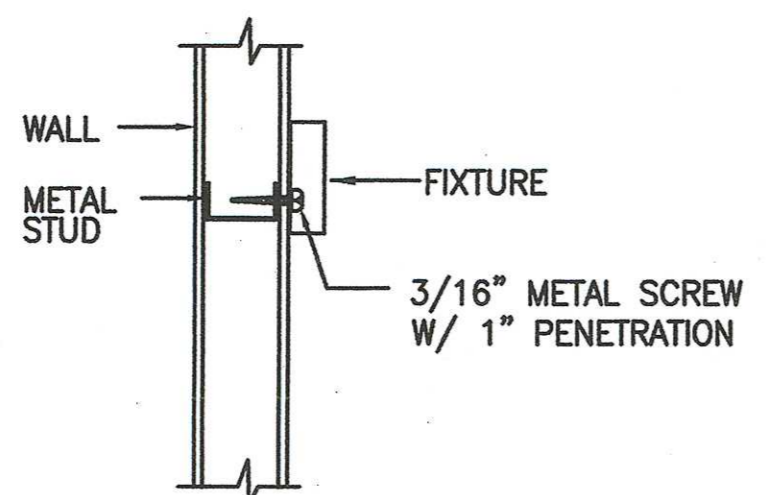
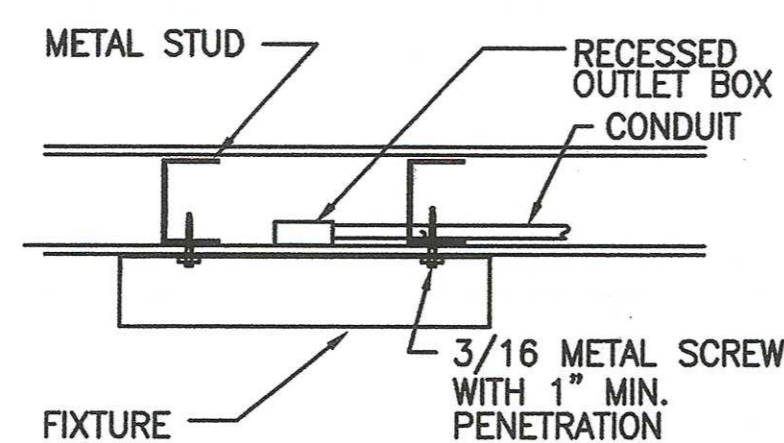
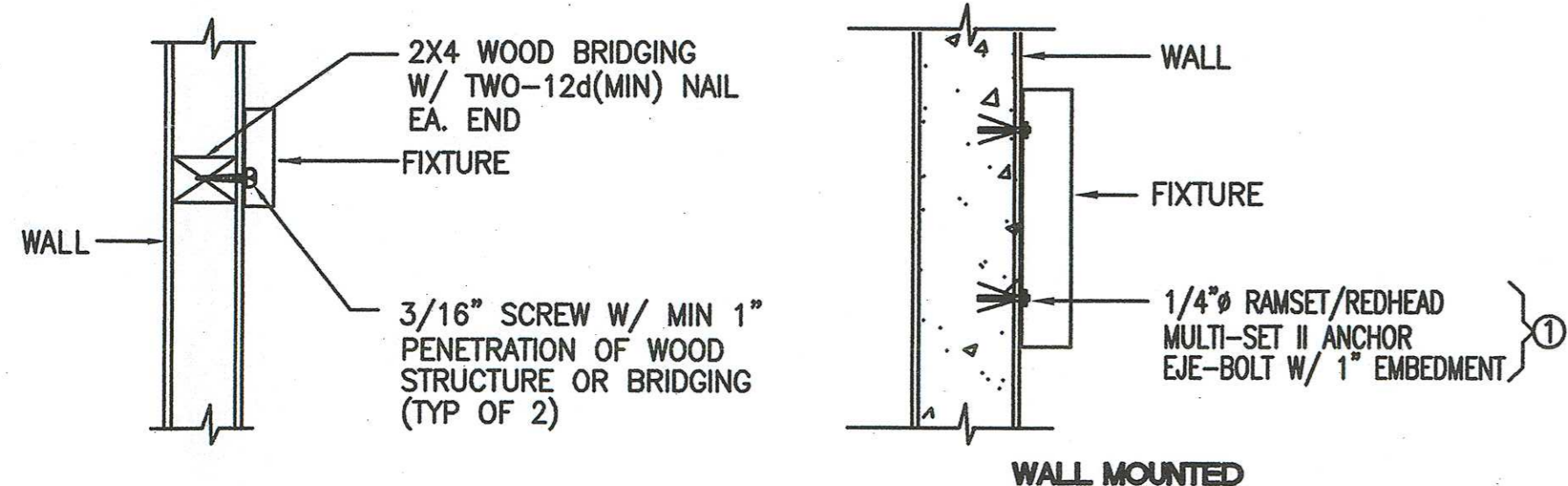
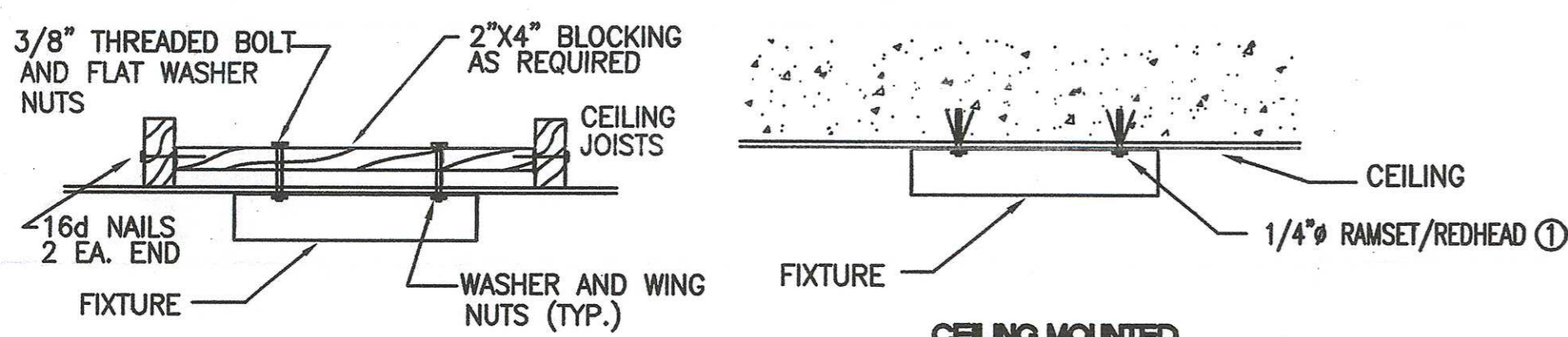
NOTES:
① REFER TO S0.1 FOR HILTI KB3 OR ITW RAMSET/RED HEAD TRUBOLT REQUIREMENTS FOR EMBEDMENT DEPTH, TEST LOAD ETC.

CEILING GYPBOARD MOUNTING DETAIL
NOT TO SCALE



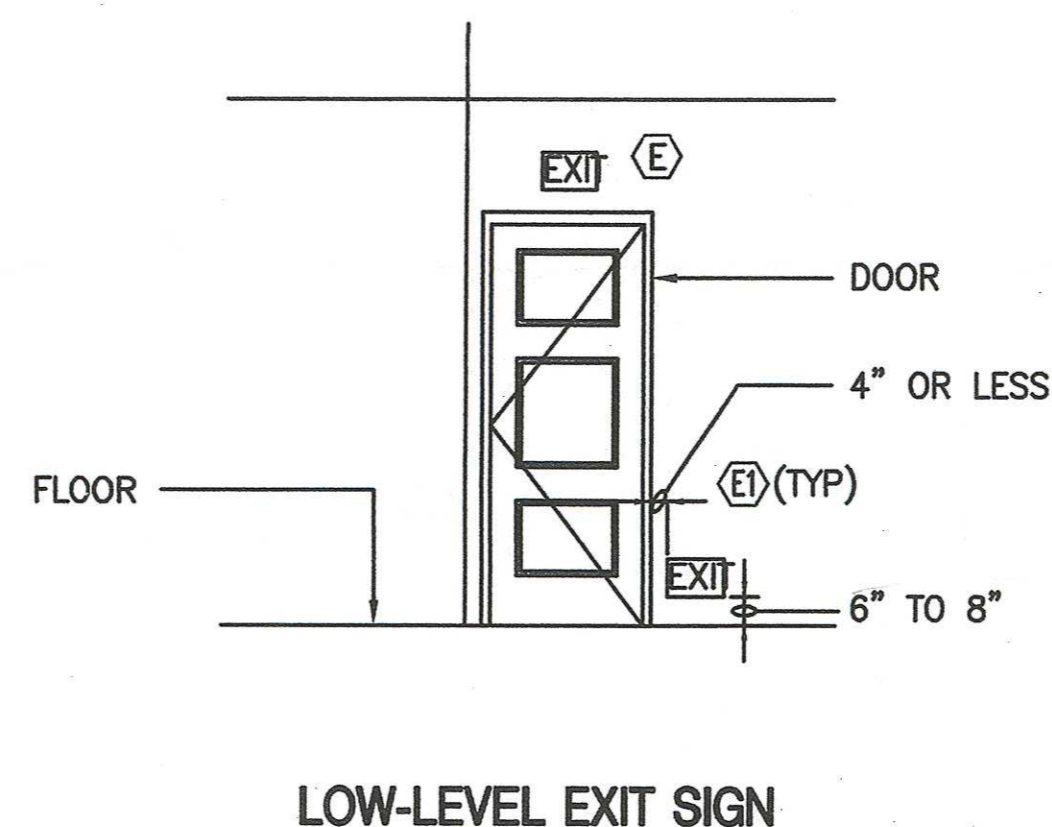
NOTES:
① REFER TO S0.1 FOR HILTI KB3 OR ITW RAMSET/RED HEAD TRUBOLT REQUIREMENTS FOR EMBEDMENT DEPTH, TEST LOAD ETC.

PEDANT MOUNTED FIXTURE DETAIL
NOT TO SCALE



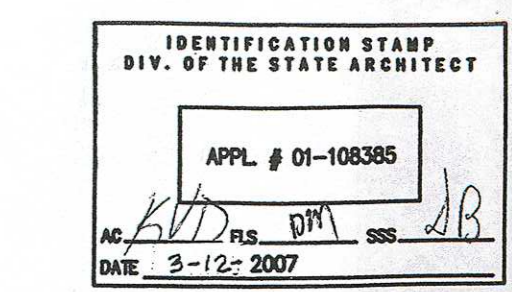
NOTES:
① REFER TO S0.1 FOR HILTI KB3 OR ITW RAMSET/RED HEAD TRUBOLT REQUIREMENTS FOR EMBEDMENT DEPTH, TEST LOAD ETC.

SURFACE MOUNTED FIXTURE DETAILS
NOT TO SCALE

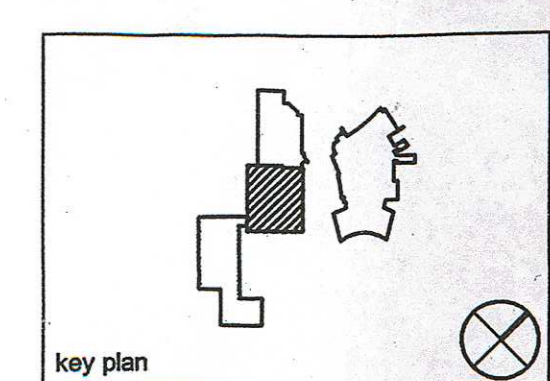


LOW LEVEL LIGHTING MOUNTING DETAIL
NOT TO SCALE

AS-BUILT



02.27.07	DSA BACK CHECK
11.02.06	DSA SUBMITTAL
10.13.06	75% CD
08.12.06	40% PROGRESS
rev.	date



STEINBERG ARCHITECTS
project no: 06015 date: 02.27.07
drawn by: MAMP checked by: VB
scale: NONE
ELECTRICAL DETAILS - LIGHTING