

NETVERSANT
Inspiring Technology Solutions

NO.	DESCRIPTION	DATE
1	10% OPERATIONAL DESIGN SUBMITTAL	04/28/09
2	10% DESIGN DEVELOPMENT SUBMITTAL	06/10/09
3	10% DESIGN DEVELOPMENT SUBMITTAL	07/20/09
4	10% DESIGN DEVELOPMENT SUBMITTAL	08/20/09
5	10% DESIGN DEVELOPMENT SUBMITTAL	09/20/09
6	10% DESIGN DEVELOPMENT SUBMITTAL	10/20/09
7	10% DESIGN DEVELOPMENT SUBMITTAL	11/10/09
8	10% DESIGN DEVELOPMENT SUBMITTAL	12/10/09
9	10% DESIGN DEVELOPMENT SUBMITTAL	01/10/10
10	10% DESIGN DEVELOPMENT SUBMITTAL	02/10/10
11	10% DESIGN DEVELOPMENT SUBMITTAL	03/10/10
12	10% DESIGN DEVELOPMENT SUBMITTAL	04/10/10
13	10% DESIGN DEVELOPMENT SUBMITTAL	05/10/10

PROJECT RECORD SET

**SKYLINE COLLEGE
 CIP2 DESIGN-BUILD
 BUILDING 4N**

PERSON

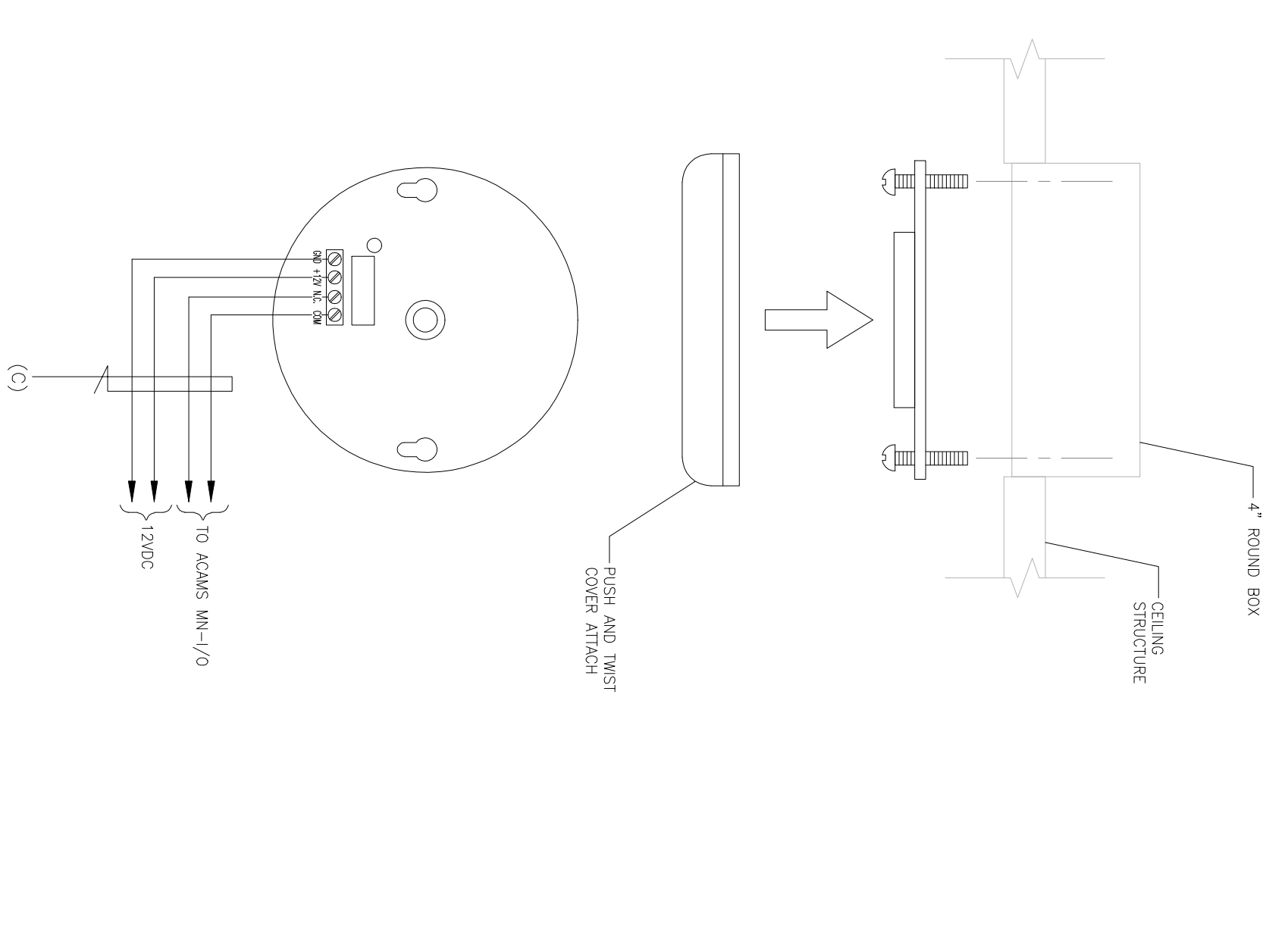
PROJECT NO: 0701200 DRAWN BY: ML

DATE: 01/31/11 CHECKED BY: CM/CS

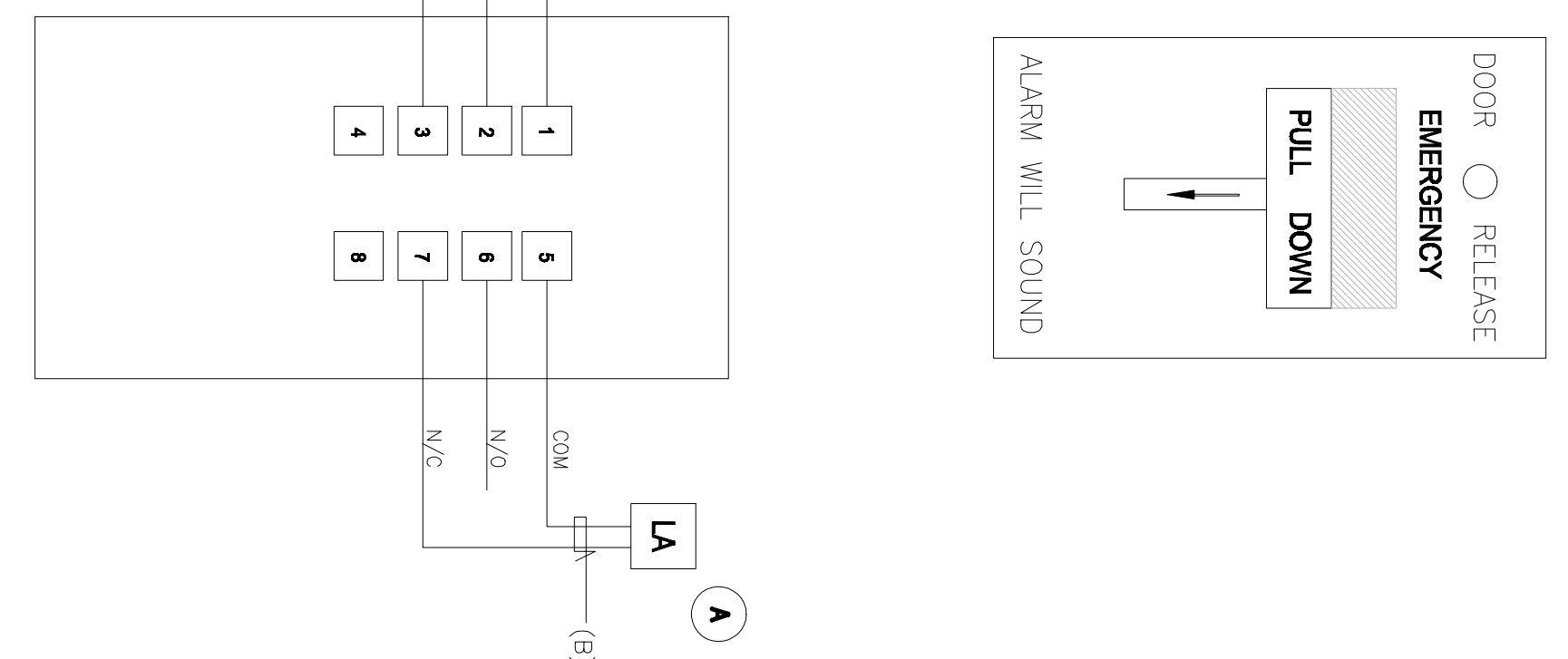
SCALE: AS NOTED

SHEET TITLE

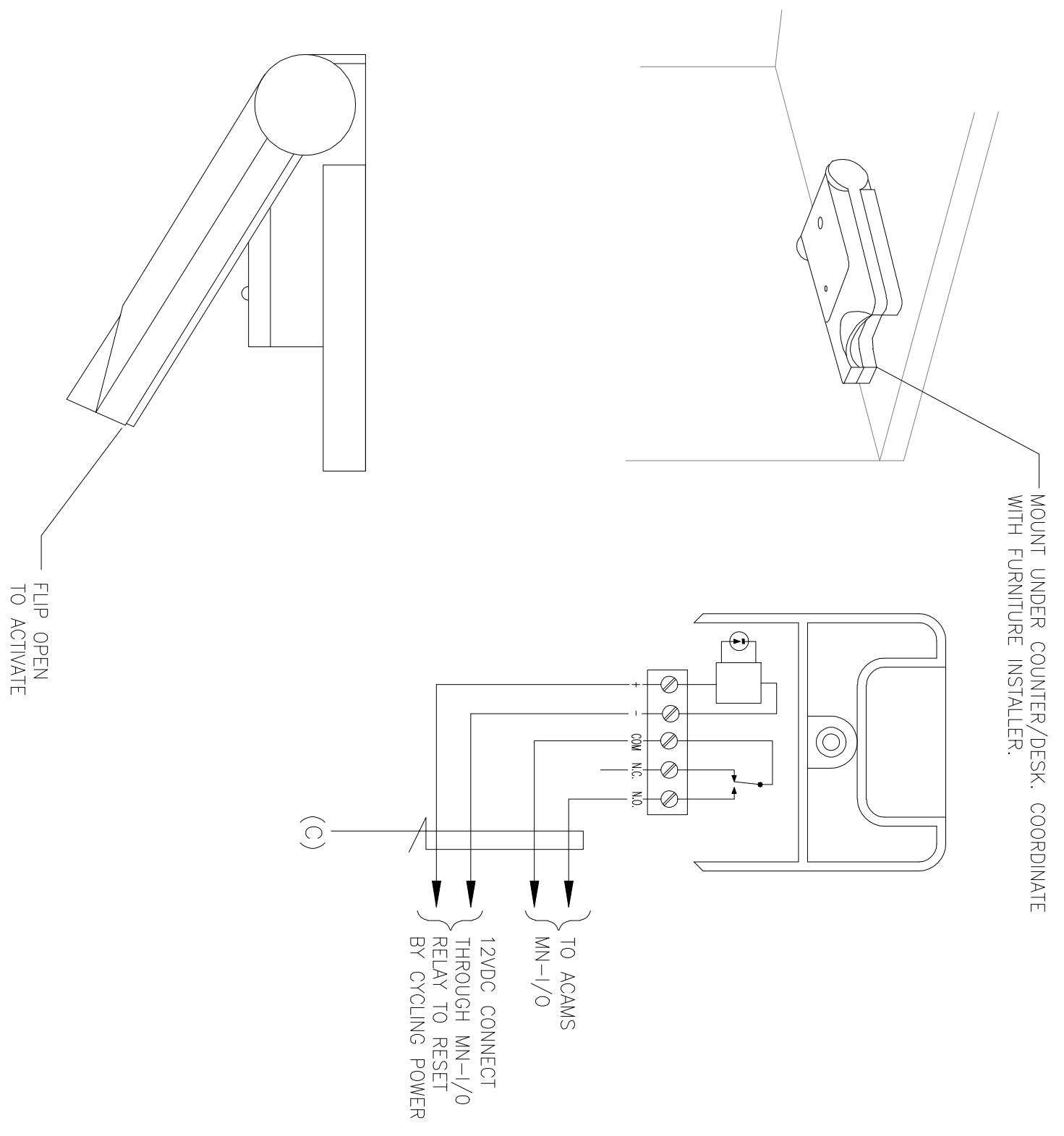
ACAMS DETAILS
 (CONTD.)



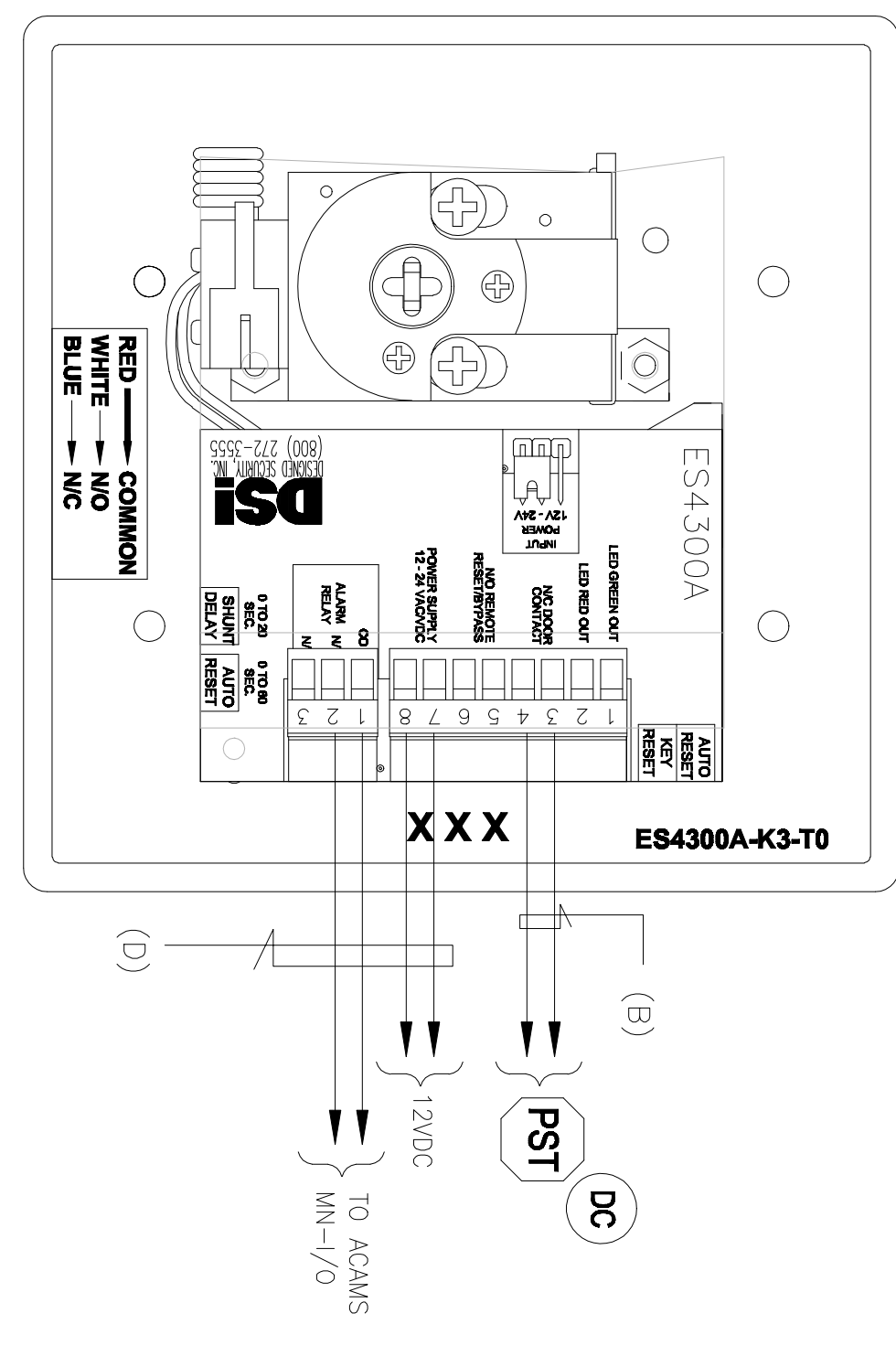
D GLASSBREAK DETECTOR
 SCALE: N.T.S.



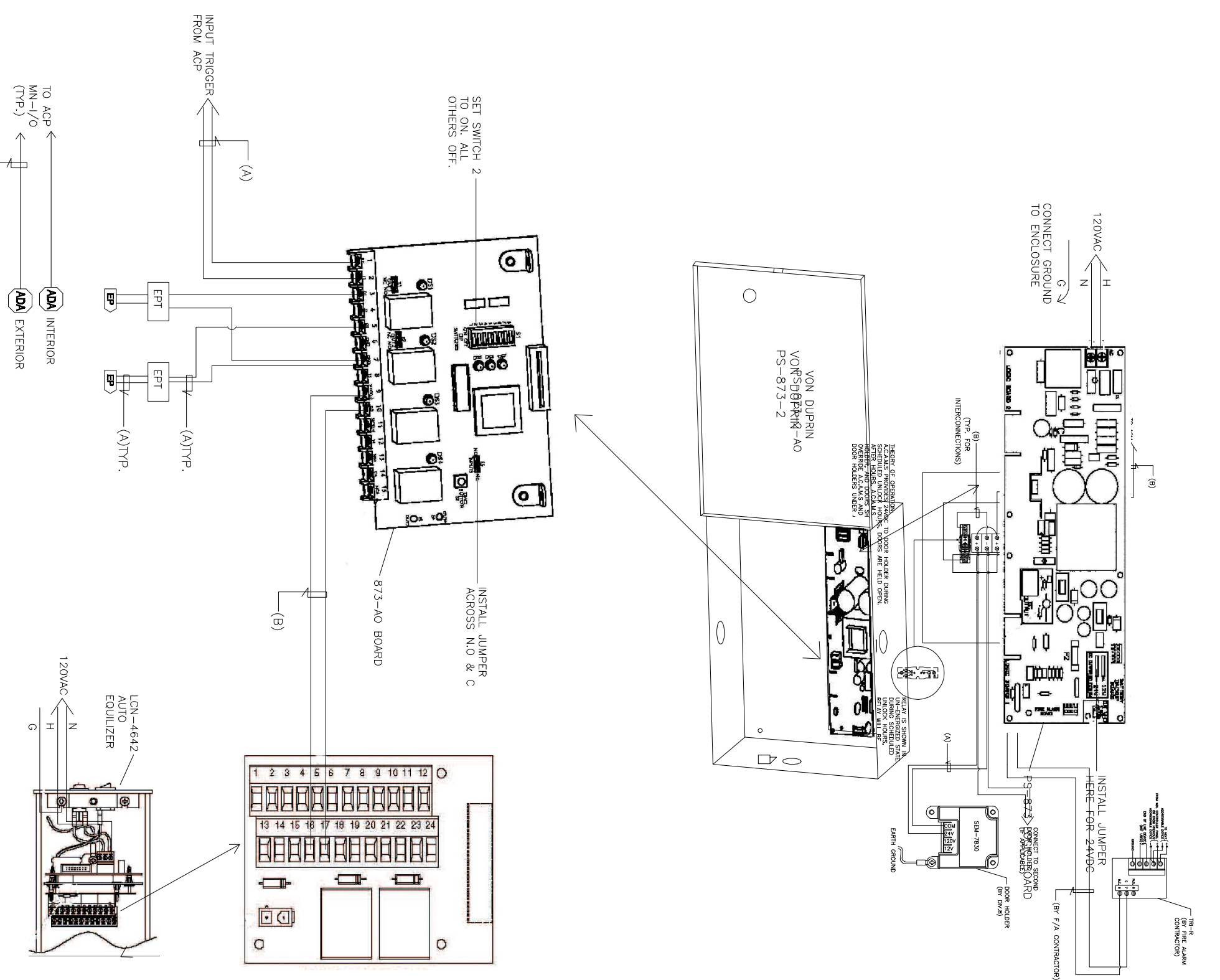
C EMERGENCY PULL STATIONS
 SCALE: N.T.S.



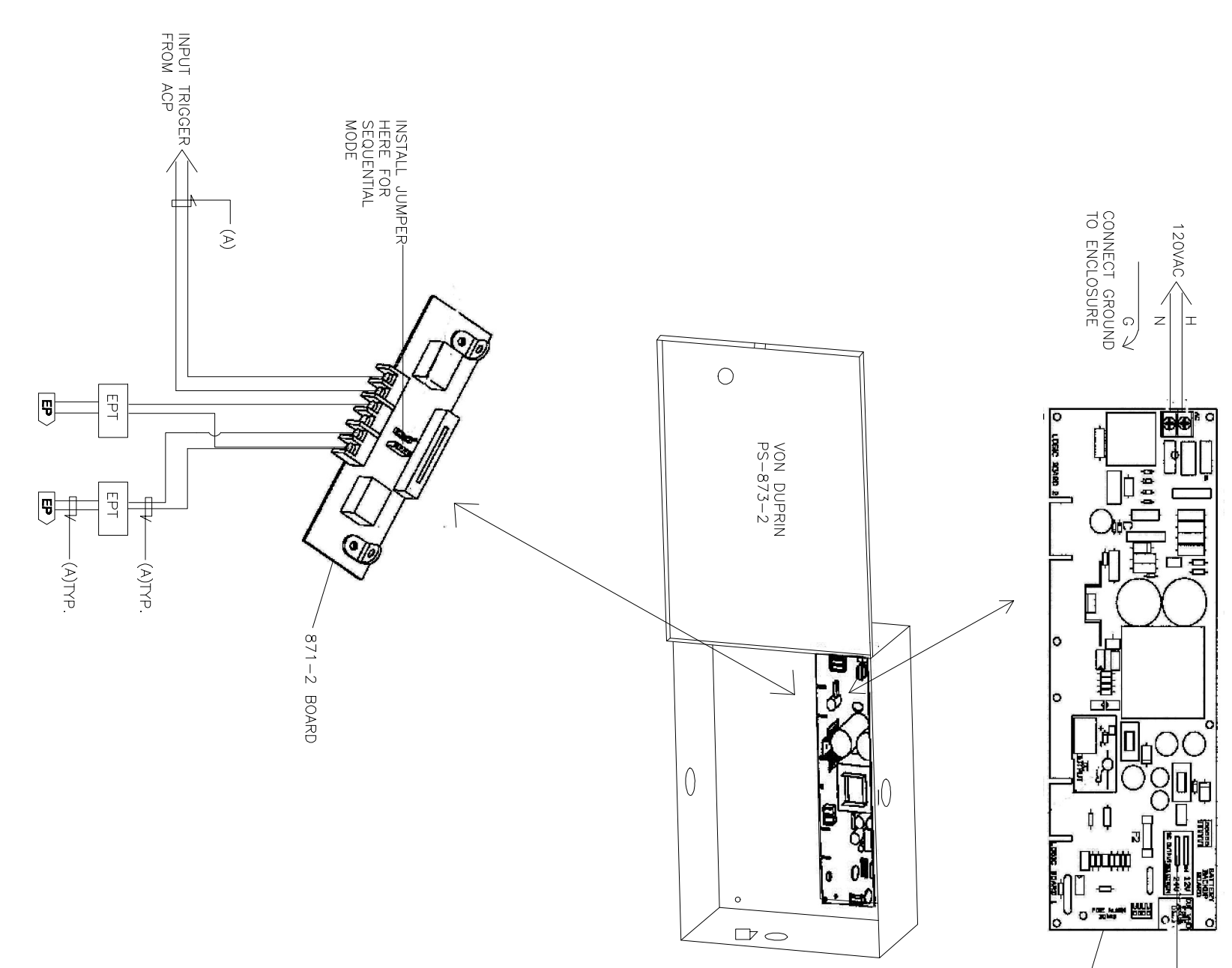
B DURESS BUTTON
 SCALE: N.T.S.



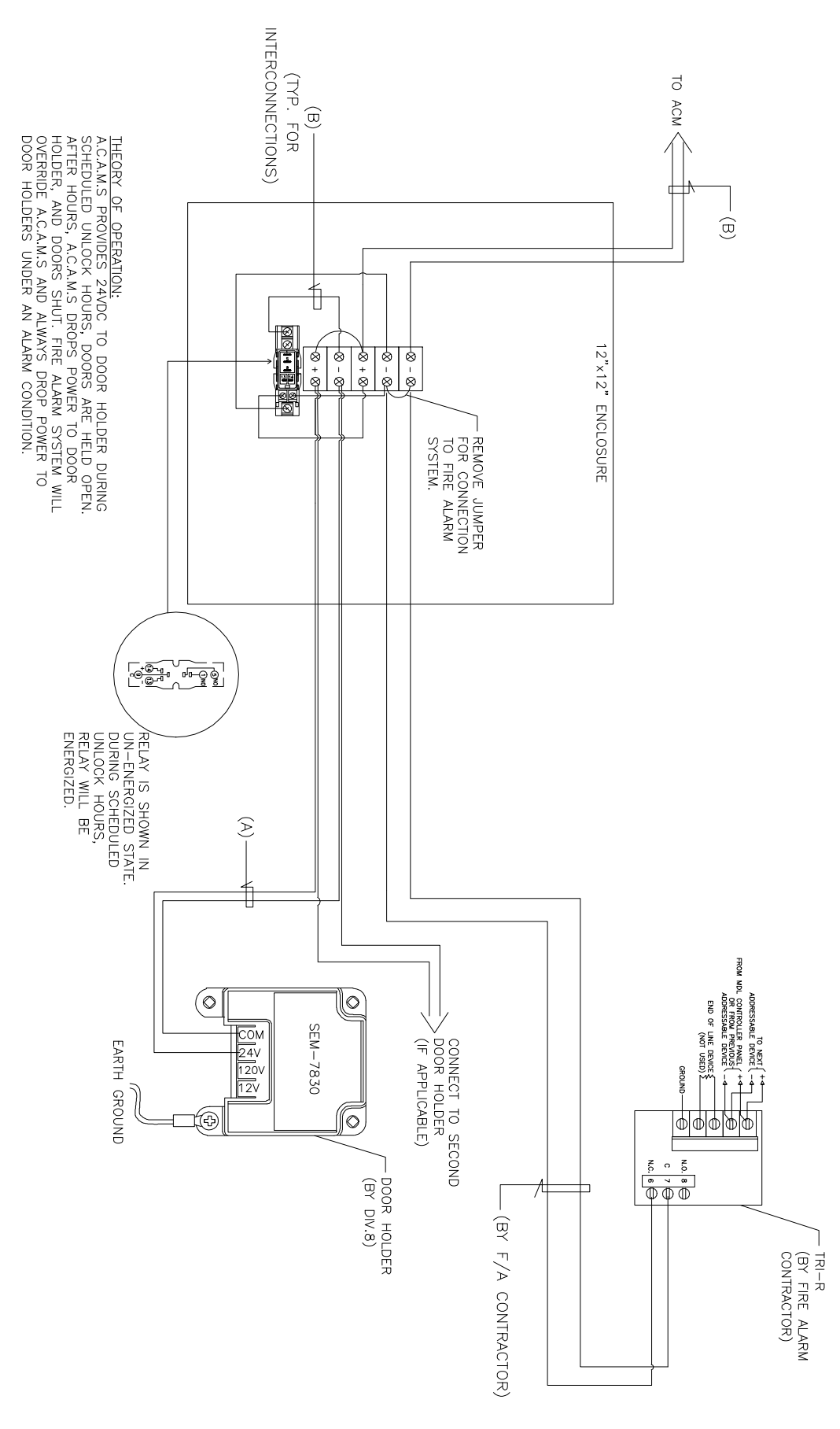
A LOCAL ALARM
 SCALE: N.T.S.



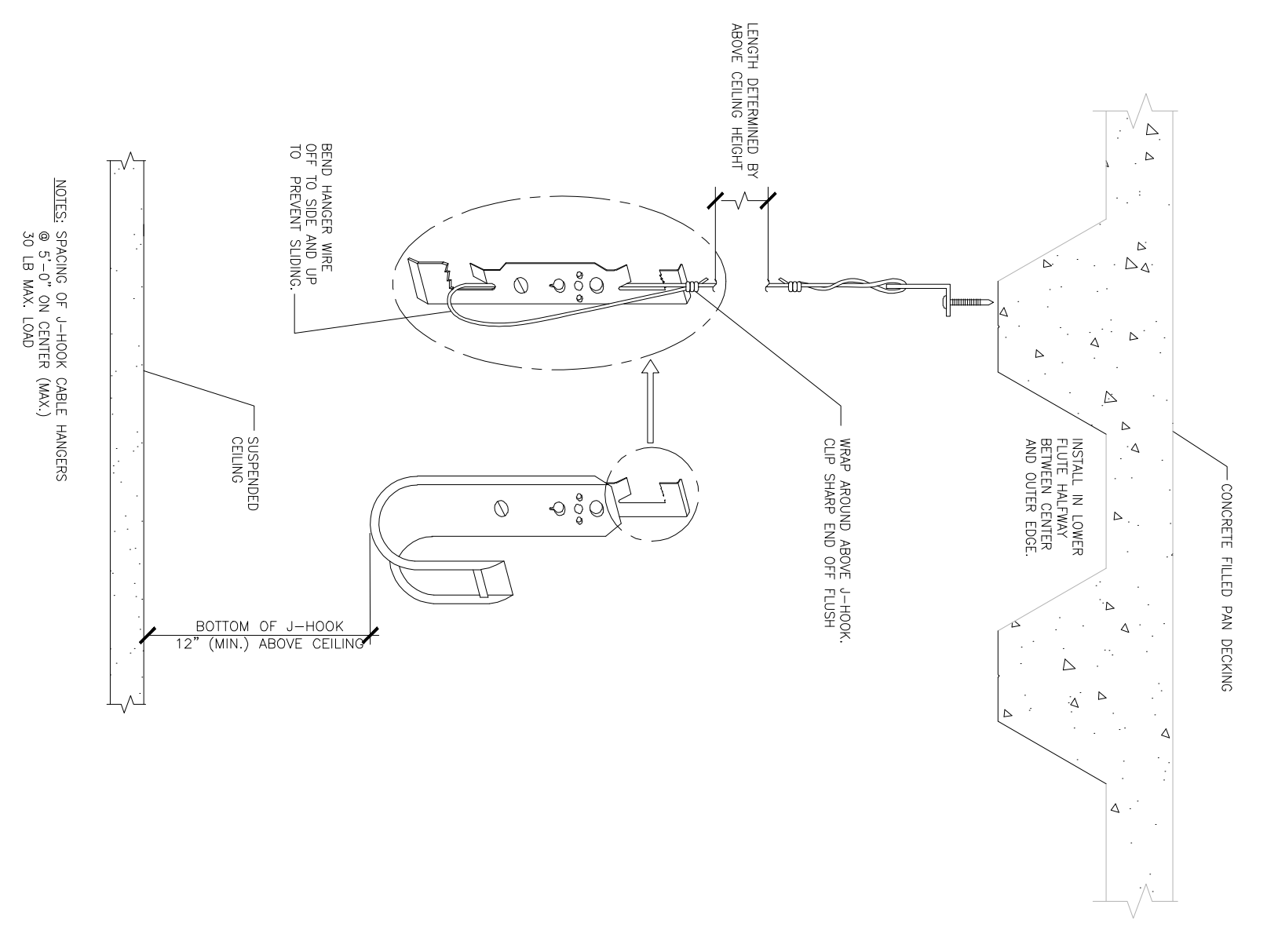
H ADA INTERFACE
 SCALE: N.T.S.



G DOOR CONTACT INTERFACE
 SCALE: N.T.S.



F DOOR HOLDER WIRING (TYP)
 SCALE: N.T.S.



E CEILING MOUNT CABLE HANGER
 SCALE: N.T.S.