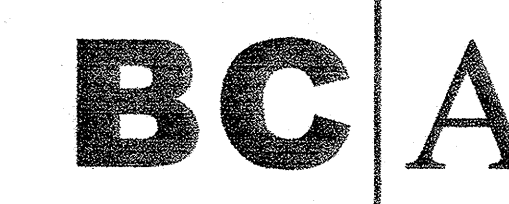


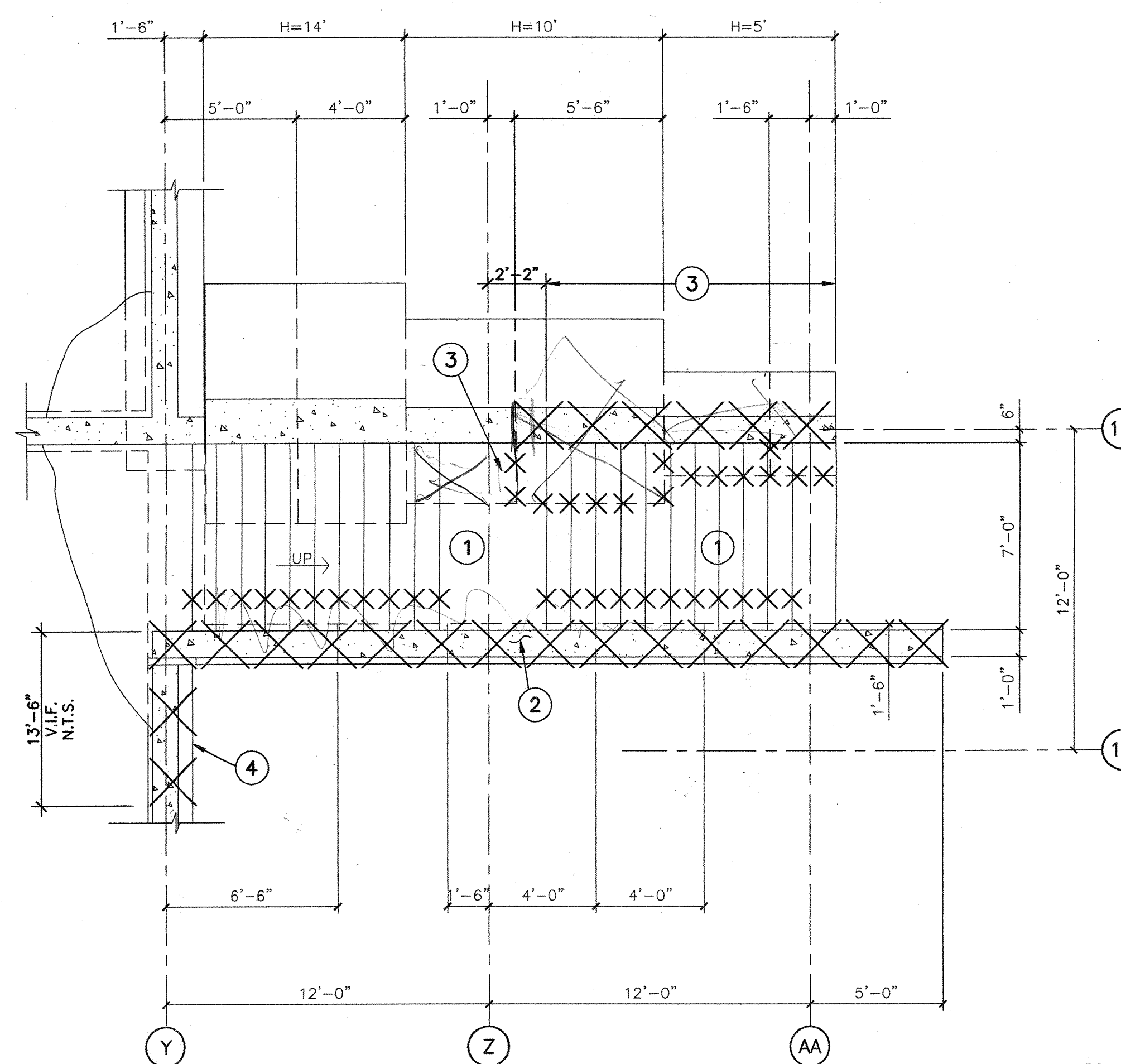
**SHEET NOTES**

1. REFER TO ARCHITECTURAL AND MECHANICAL DRAWINGS FOR LOCATIONS OF EQUIPMENT, SIZE OF OPENING, CURB DETAILS.
2. SEE GENERAL NOTES, EXISTING CONSTRUCTION DIVISION, ITEM "C" FOR NEW PENETRATIONS REQUIREMENTS.



architecture  
planning  
interiors

Bunton Clifford Associates, Inc.  
210 Hammond Ave.  
Fremont, California 94539  
[ T ] 510.445.1000  
[ F ] 510.445.1005  
www.BCAincOnline.com

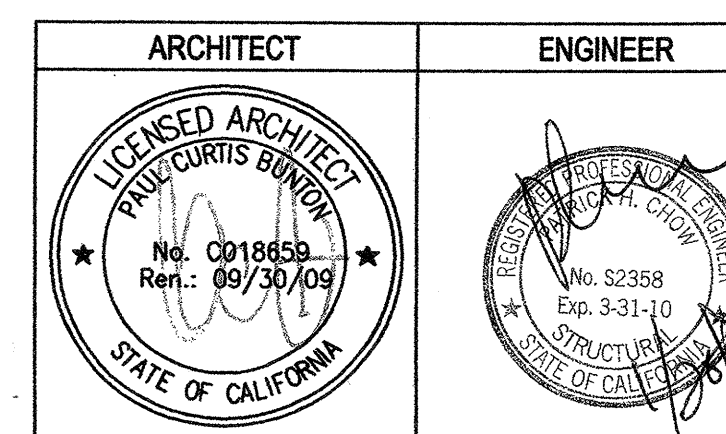


**SD2.6 STAIR DEMOLITION PLAN**

1/4"=1'-0"

**KEY NOTES**

- 1 REMOVE EXISTING STEPS ON GRADE AND INTERMEDIATE LANDING.
- 2 REMOVE EXISTING RETAINING WALL.
- 3 REMOVE EXISTING STEPPED FOOTING AND STEM WALL THESE EXTENT.
- 4 REMOVE EXISTING CONCRETE WALL AND RAILING.



- GENERAL NOTES**
1. This sheet is part of a set and is not to be used alone.
  2. This sheet is not to be used for construction unless the architect's stamp and signature appear on the drawings and the status box indicates drawings have been released for construction.
  3. These plans and prints thereof as instruments of service, are owned by the architect and are for use on this project only. Reproduction and/or distribution without the prior written consent of the architect is forbidden.
  4. Copyright Bunton Clifford Associates, 2007.

| REVISIONS | DATE |
|-----------|------|
|           |      |
|           |      |
|           |      |
|           |      |
|           |      |
|           |      |
|           |      |
|           |      |
|           |      |
|           |      |

| DRAWING STATUS                             | DATE |
|--|------|
| <input type="radio"/> DSA PLAN CHECK       |      |
| <input type="radio"/> DSA BACK CHECK       |      |
| <input type="radio"/> BIDDING (BID #86620) |      |
| <input type="radio"/> CONSTRUCTION         |      |

FILE NO. 41-C1

IDENTIFICATION STAMP  
DIV. OF THE STATE ARCHITECT

01- 110074  
AC: \_\_\_\_\_ FLS: \_\_\_\_\_ SS: \_\_\_\_\_  
DATE: MAR 19 2009

**BUILDINGS 5 & 6  
RENOVATIONS**

San Mateo County Community  
College District

DSA BACK-CHECK

**CAÑADA COLLEGE**  
4200 Farm Hill Boulevard  
Redwood City, CA 94061

FOUNDATION/STAIR  
DEMOLITION PLAN

Date: 12/31/08  
Drawing Number: SD2.6  
Scale: AS NOTED  
Project Number: 07013