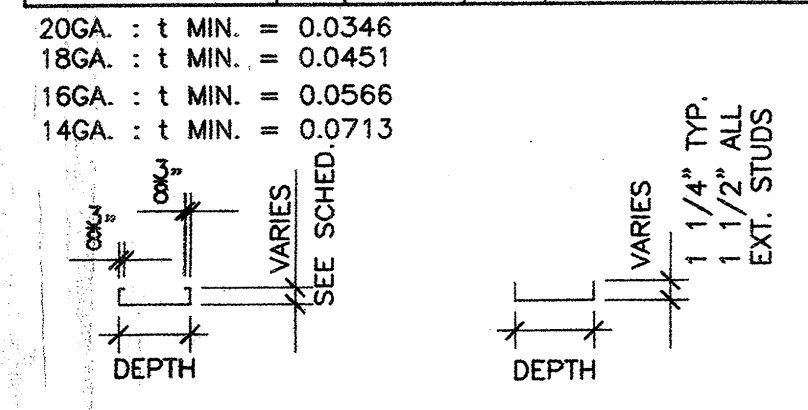
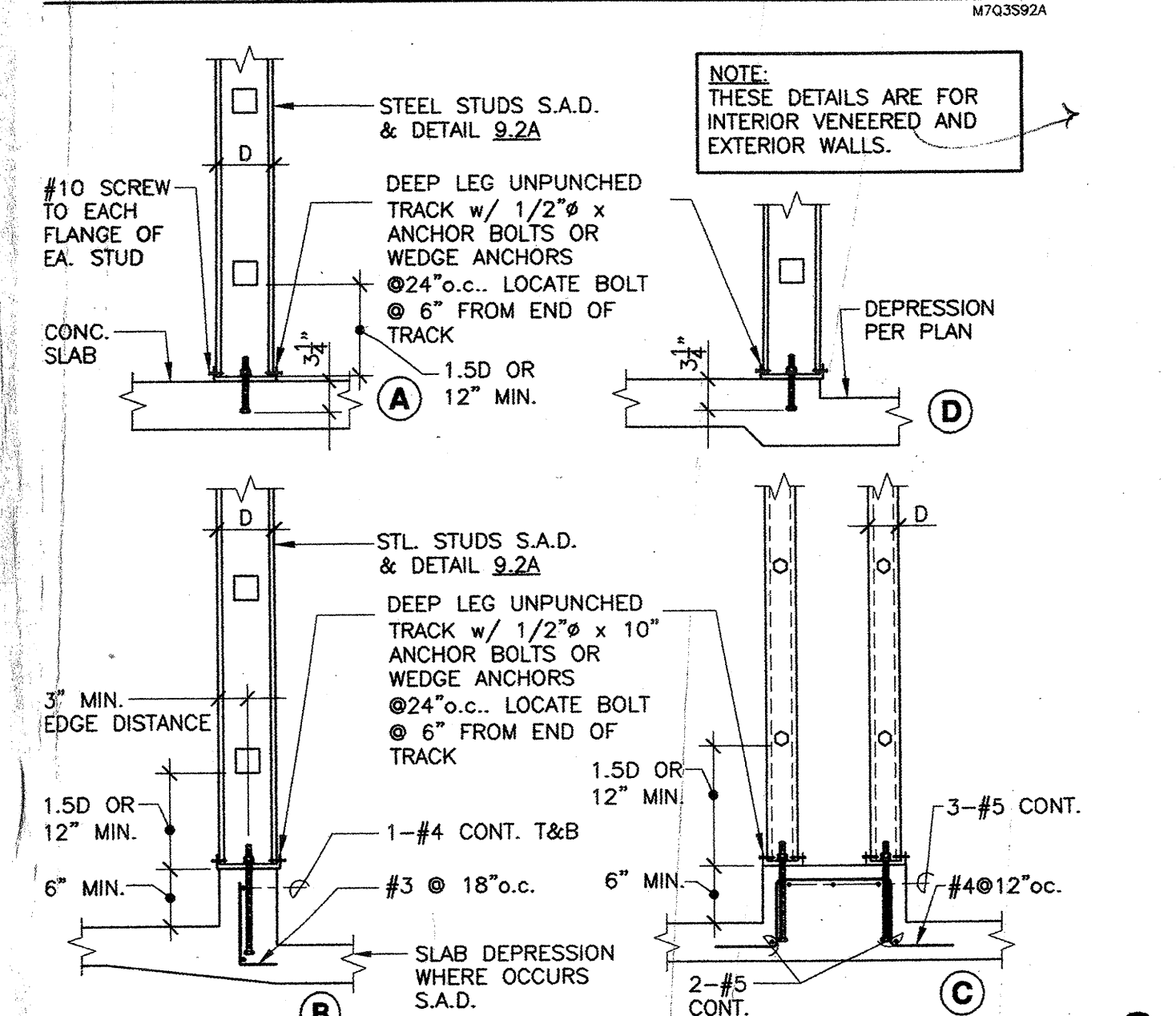


- NOTES:
- ALL STRUCTURAL STUD WALL FRAMING SHALL CONFORM TO A.S.T.M. A563 GRADE "A" WITH A MIN. YIELD STRENGTH OF 33,000 PSI AS MANUFACTURED IN ACCORDANCE W/ I.C.C. ER #4943P, OR APPROVED EQUAL - 50 KSI FOR 16GA. & HEAVIER MEMBERS.
  - ALL STUD, TRACK, AND BRIDGING CONNECTIONS SHALL BE WELDED BY CERTIFIED WELDERS, COMPLY WITH CBC SECTION 2231A.4 AND 2231A.5.
  - ALL STRUCTURAL METAL STUDS SHALL BE 18GA. UNLESS OTHERWISE NOTED, WITH MIN. SECTION PROPERTIES AS FOLLOWS.
  - WALLS TO RECEIVE FINISH ON ONE SIDE OR NO FINISH SHALL BE BRACED PER DET. 9.2A.
  - NO PUNCHOUT SHALL BE ALLOWED WITHIN 1.5d (d=STUD DEPTH) OF BOTTOM, TOP, OR REACTION POINT ALONG THE LENGTH OF STUD.
  - SEE ARCHITECTURAL PLANS FOR INTERIOR WALL FRAMING. (NO WELDING INSPECTION REQUIRED ON NON STRUCTURAL WALLS.)
  - ALL HOLES FOR BOLTS SHALL BE 1/16" GREATER IN DIAMETER THAN BOLT DIAMETER.
  - REFER TO I.C.C. ER #4943P FOR STUD, TRACK OR JOIST DESIGNATION, ESR-1042 FOR SLIP TRACK "SLP-TRK"
  - FOR LIGHT GAGE STUDS AND CONNECTION DETAILS NOT SHOWN, SEE ARCHITECTURAL DRAWINGS.

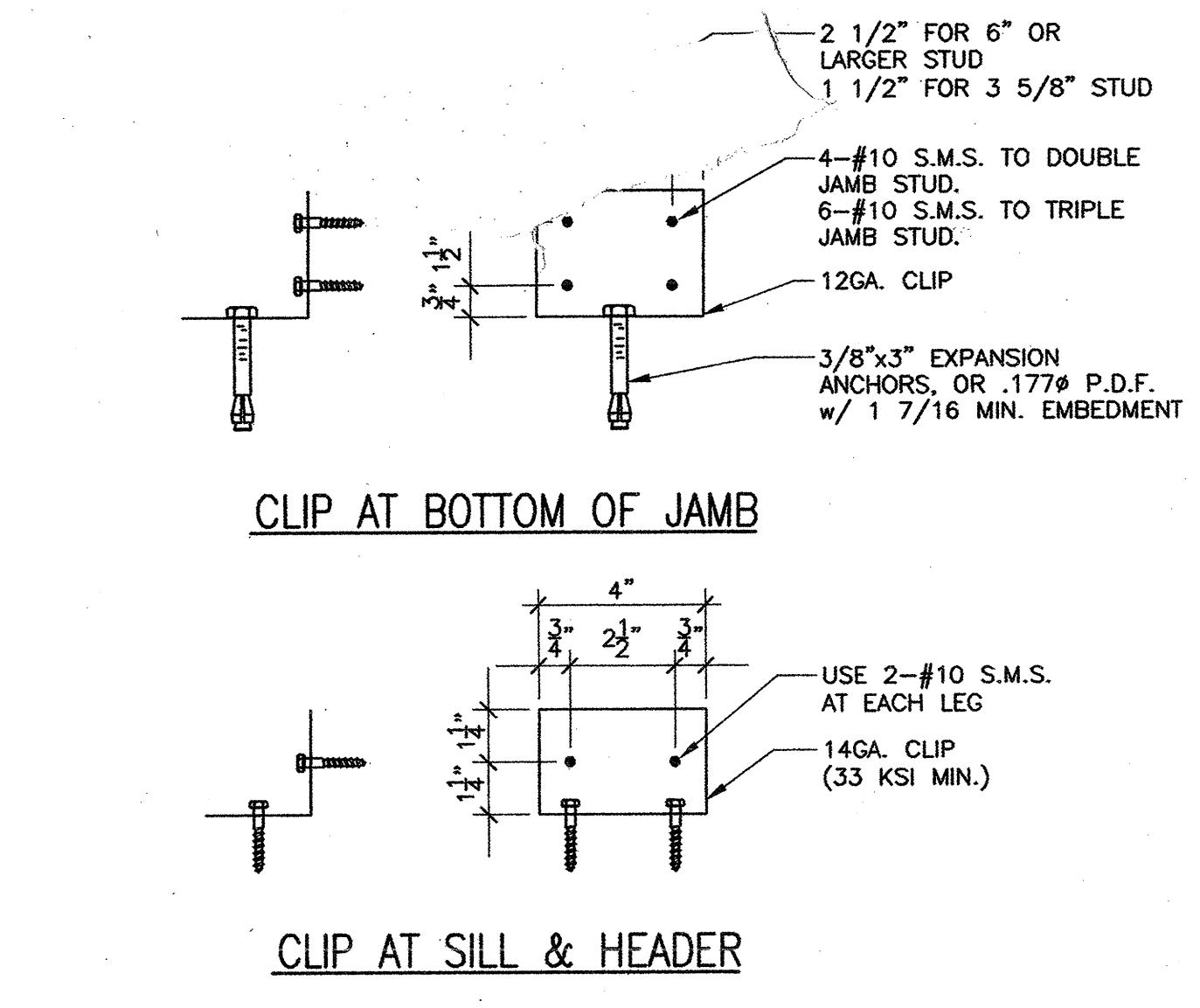
STEEL STUD PROPERTIES AND APPLICATION									
STUD OR TRACK	o.c.	DEPTH	GA.	MAX. UNSUPPORTED LENGTH (NON BEARING)			I <sub>x</sub> GROSS	S <sub>x</sub> GROSS	I <sub>y</sub> GROSS
				EXT. WALL & INT. VENEERED WALL (4" THICK) (25PSF, L/240)	INT. VENEERED WALL (4" THICK) (15PSF, L/360)	INTERIOR PARTITIONS (5PSF, L/240)			
362S 137-54 STUD	16"	5 1/2"	16	11'-4"	11'-9"	19'-6"	0.756	0.417	0.091
400S 162-33 STUD	16"	4"	20	11'-0"	11'-5"	18'-11"	0.892	0.446	0.061
600S 162-33 STUD	16"	6"	20	15'-2"	15'-9"	26'-0"	1.793	.598	.116
800S 162-54 STUD	12"	6"	16	19'-6"	20'-3"	33'-6"	2.86	.953	.18
800S162-68 STUD (HDR)	8"	14"	-	-	-	-	7.089	1.772	.235
1000S162-68 STUD (HDR)	10"	14"	-	-	-	-	12.325	2.465	.246
1200S162-68 STUD (HDR)	12"	14"	-	-	-	-	19.518	3.253	.255
362T 125-54 TRACK	16"	5 1/2"	16	-	-	-	0.723	0.378	0.048
362T 150-54 TRACK	16"	6"	16	-	-	-	.823	.431	.08
600T 125-54 TRACK	6"	16"	16	-	-	-	2.344	0.756	0.054
600T 150-54 TRACK	6"	16"	16	-	-	-	2.611	.843	.091
SLP-TRK 3,625	-	6"	16	-	-	-	.325	.110	1.225
SLP-TRK 6,000	-	6"	16	-	-	-	.378	.111	3.003



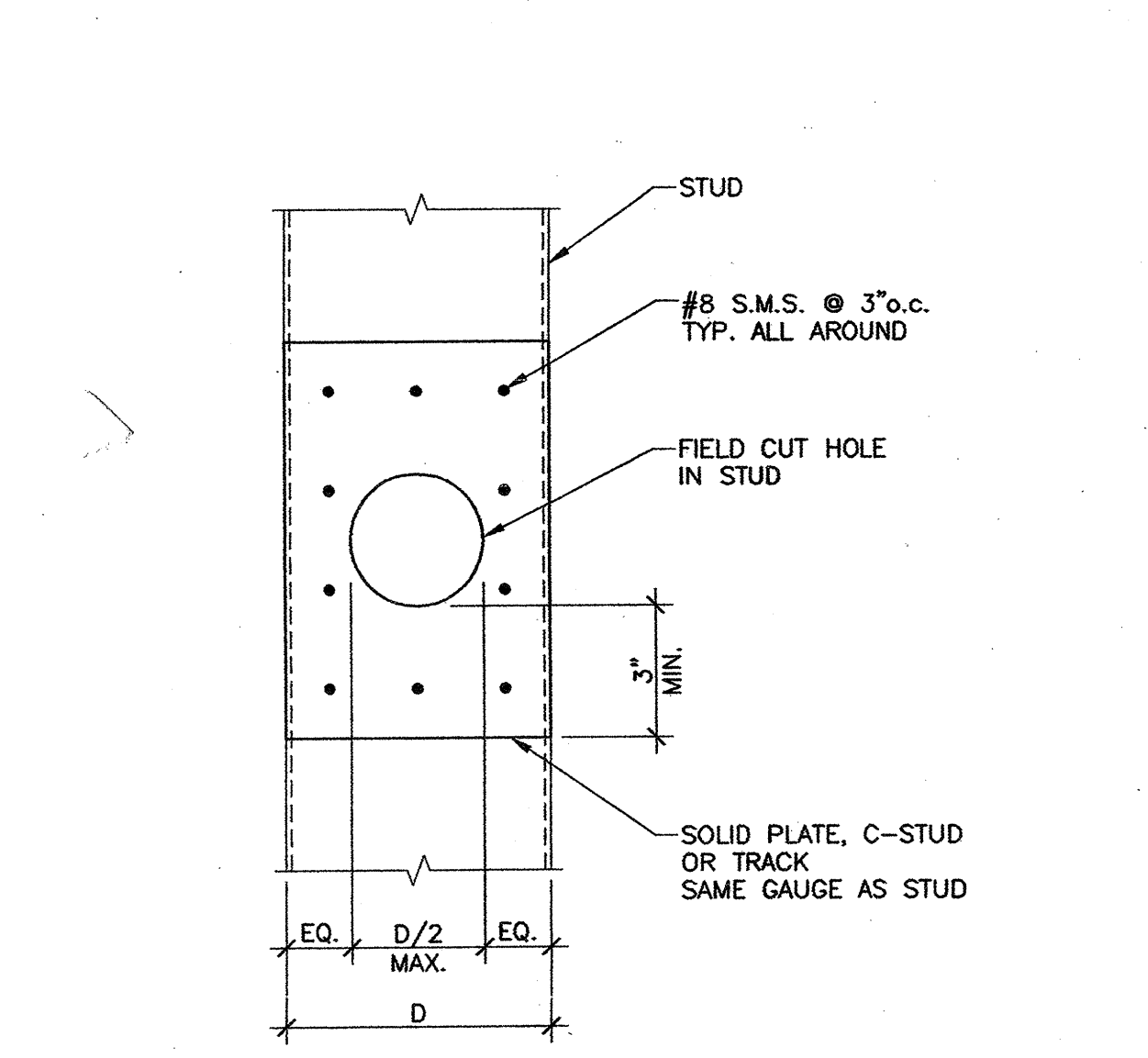
**9.2A COLD FORMED METAL FRAMING** 3/4"=1'-0"  
M703592A



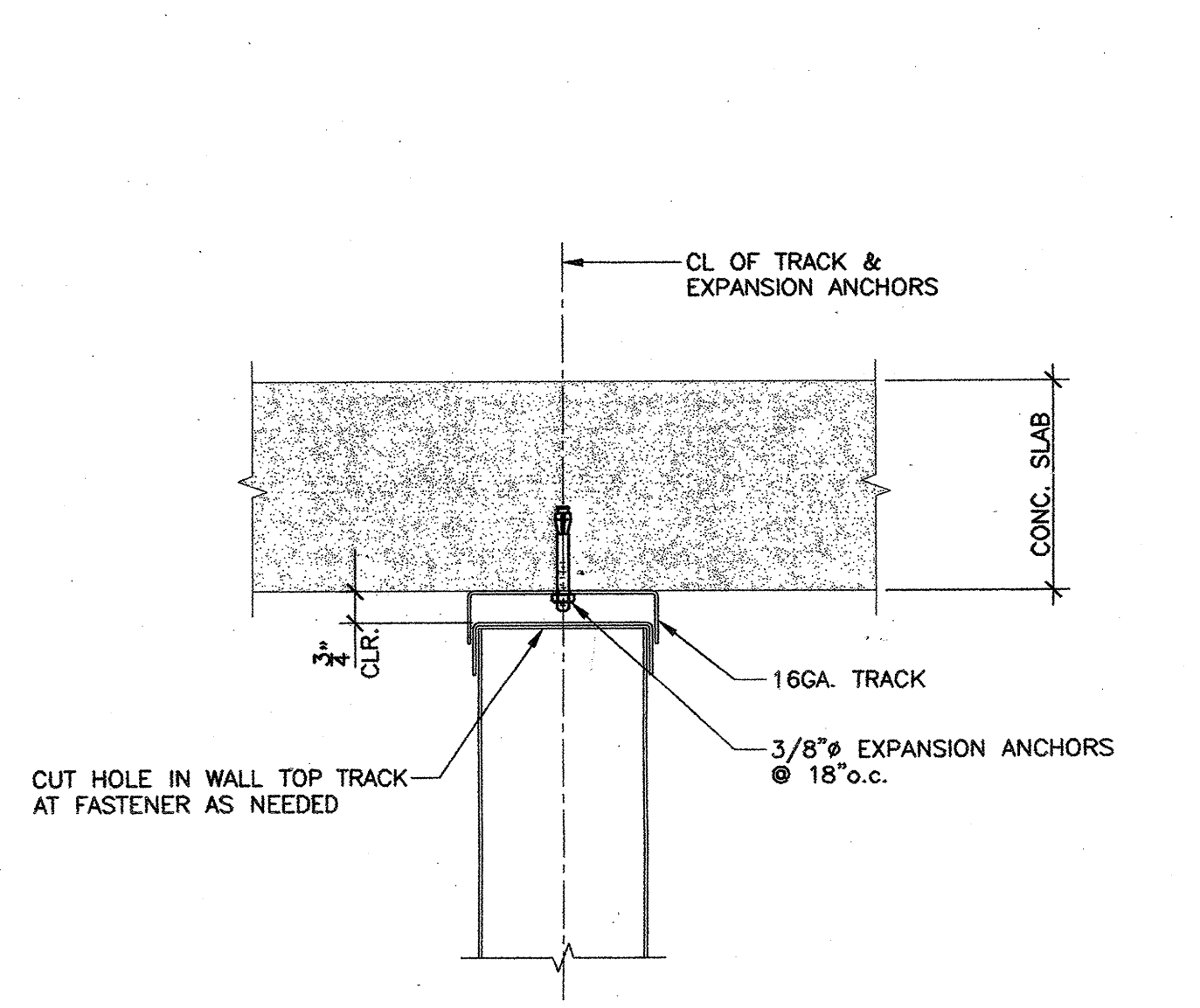
**9.2L EXTERIOR STUD ATTACHMENT** 3/4"=1'-0"  
M703592L



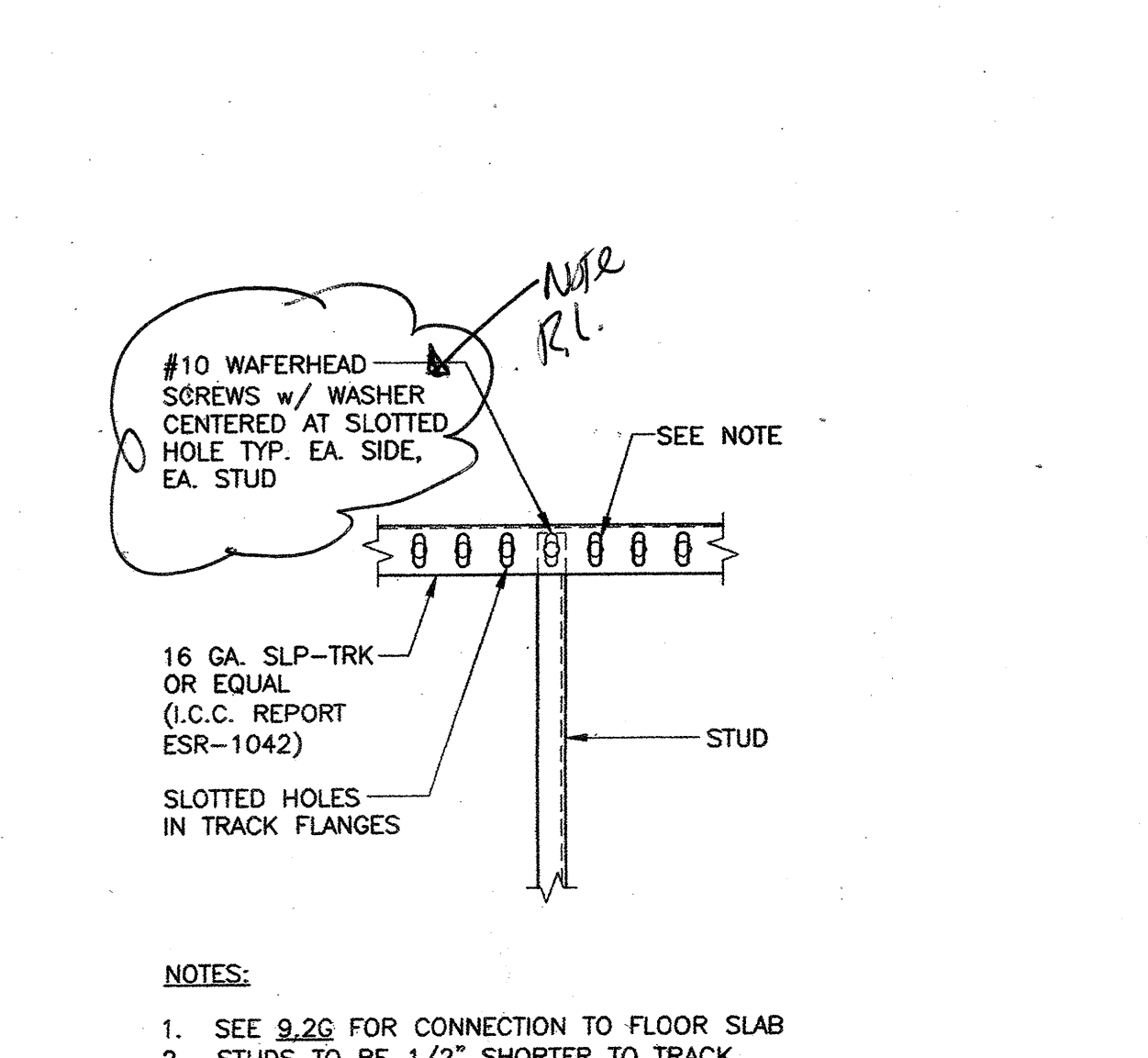
**9.2B TYPICAL CLIP ATTACHMENT** 3"=1'-0"  
M703592B



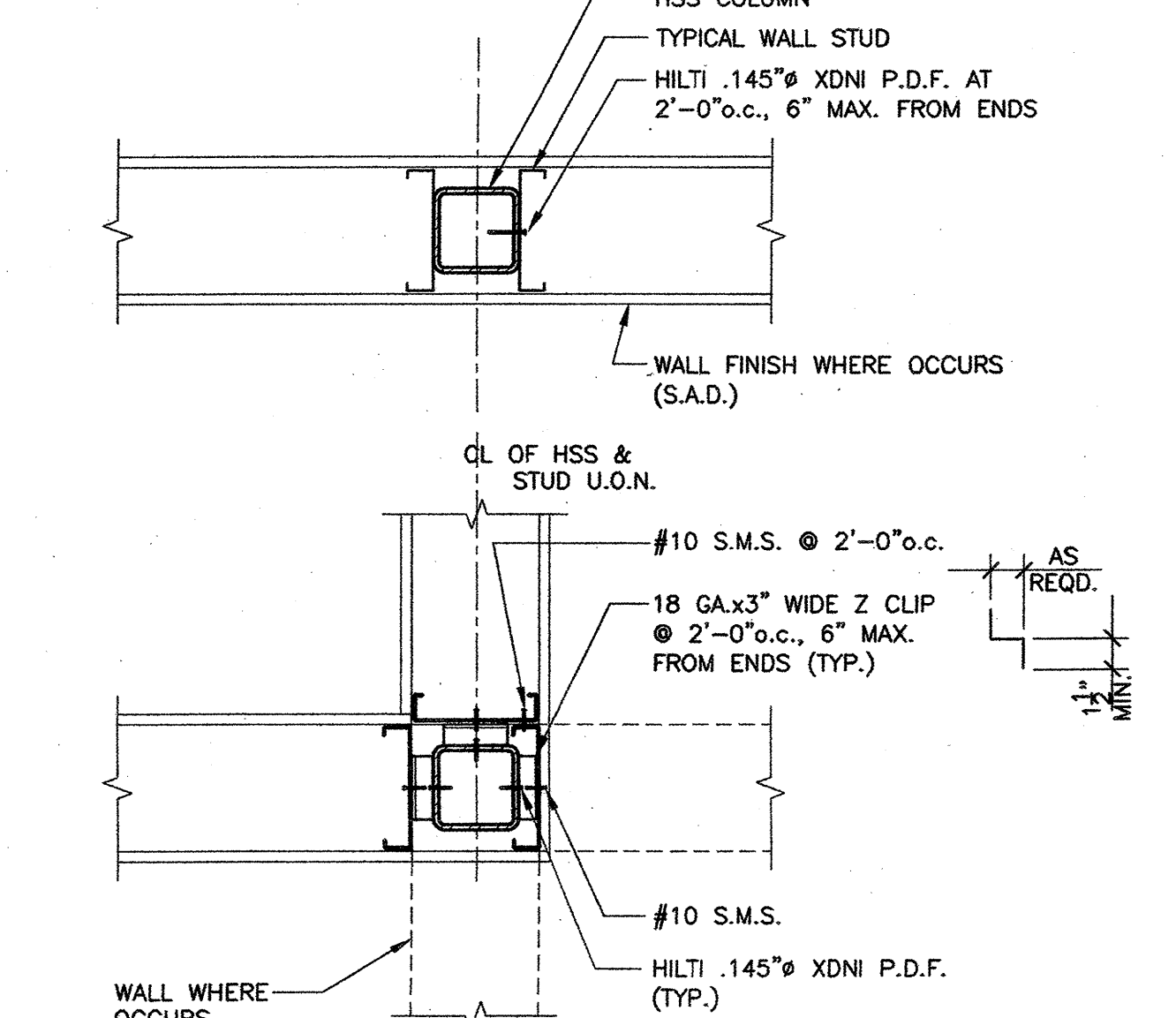
**9.2C TYPICAL STUD REPAIR** 3"=1'-0"  
M703592C



**9.2G TYPICAL WALL TO FLOOR SLAB CONNECTION** 3"=1'-0"  
M703592G



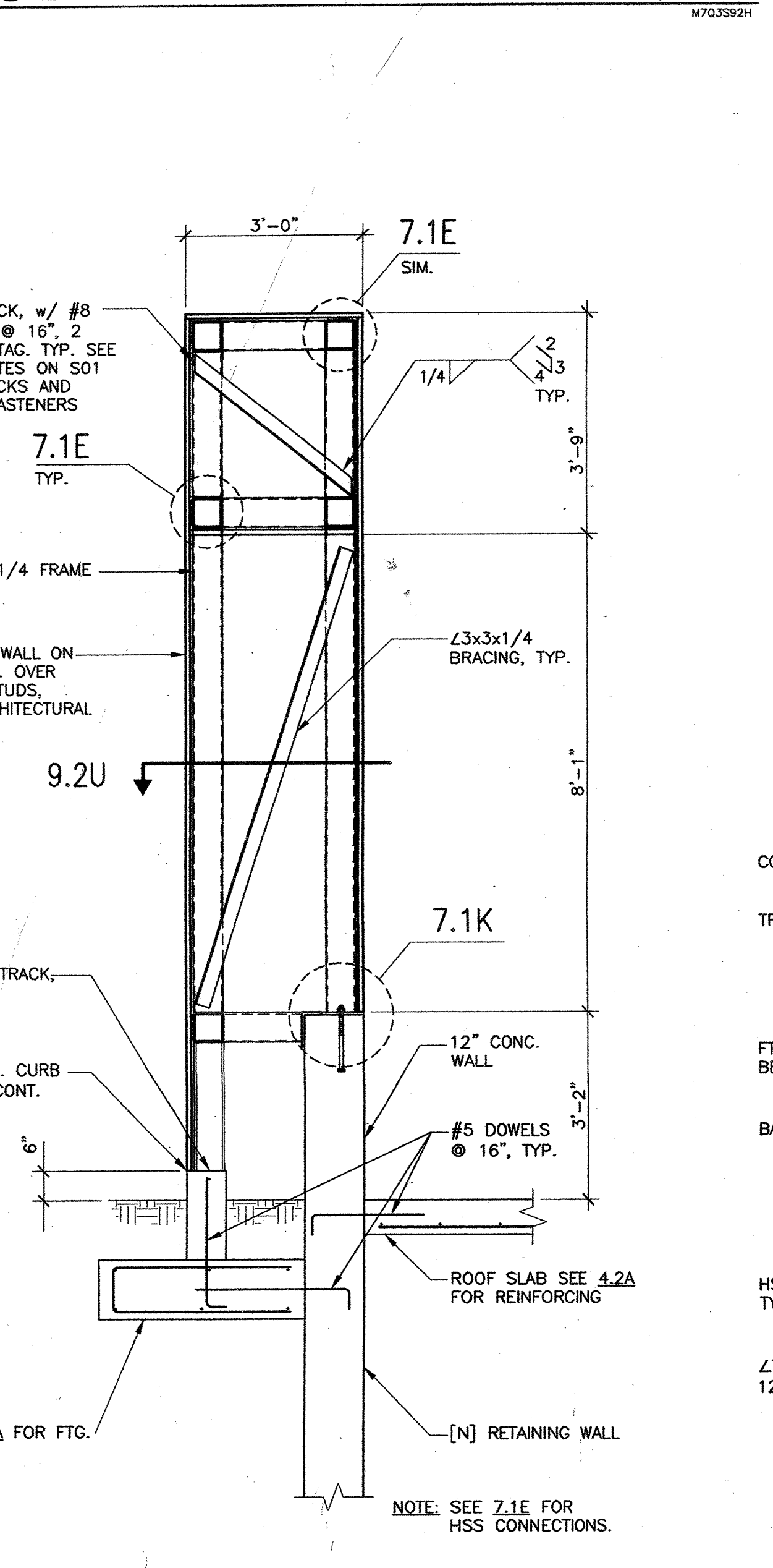
**9.2H ALTERNATE DEFLECTION TRACK DETAIL** 1 1/2"=1'-0"  
M703592H



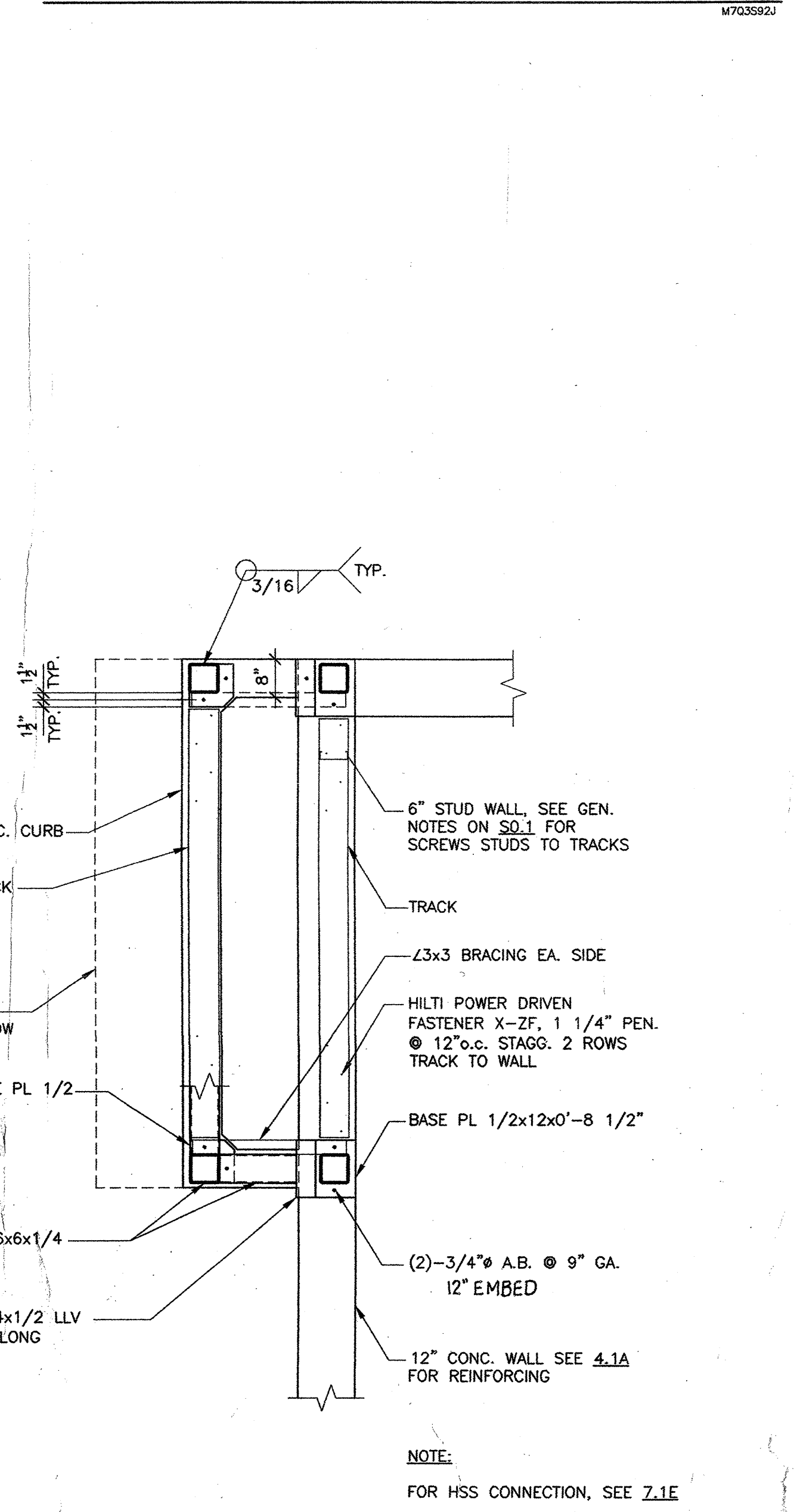
**9.2J STUD FRAMING AT HSS COLUMN** 1 1/2"=1'-0"  
M703592J

SPAN WIDTH	CEILING CONST.	CEILING STUD	REMARKS
UP TO 10'-0"	1 LAYER 5/8" GYP AND ACOUST. INSUL.	362S162-43 @ 16" o.c.	

**9.2M CEILING JOIST FRAMING** 1 1/2"=1'-0"  
M703592M



**9.2T** 1/2"=1'-0"  
M703592T

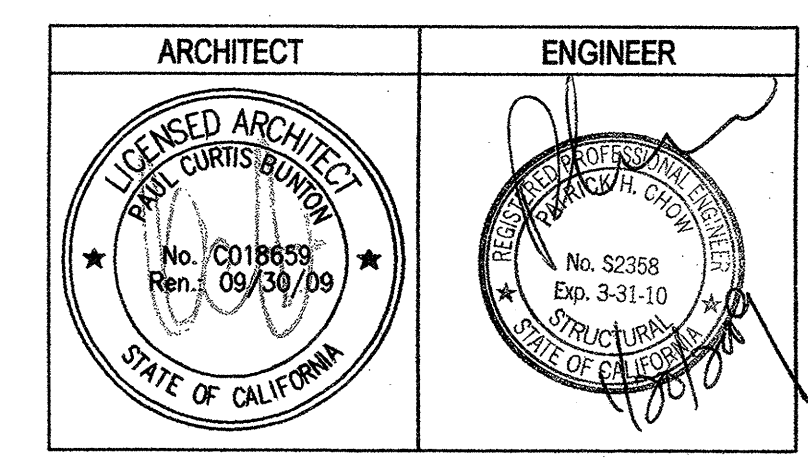


**9.2U** 1/2"=1'-0"  
M703592U



**BC|A**  
architecture  
planning  
interiors

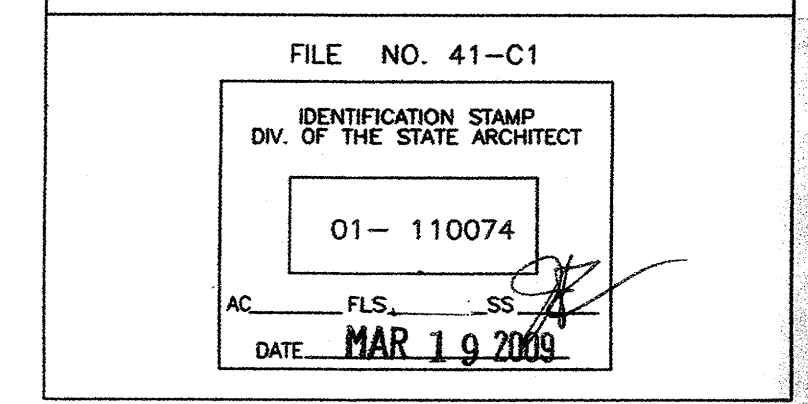
Bunton Clifford Associates, Inc.  
210 Hammond Ave.  
Fremont, California 94539  
[T] 510.445.1000  
[F] 510.445.1005  
www.BCAincOnline.com



- GENERAL NOTES:
- This sheet is part of a set and is not to be used alone.
  - This sheet is not to be used for construction unless the architect's stamp and signature appear on the drawings and the status box indicates drawings have been released for construction.
  - These plans and prints, if used as instruments of service, are owned by the architect and are for use on this project only. Reproduction and/or distribution without the prior written consent of the architect is forbidden.
  - Copyright Bunton Clifford Associates, 2007

REMARKS	DATE

DESIGN STATUS	DATE
<input type="radio"/> DSA PLAN CHECK	
<input type="radio"/> DSA BACK CHECK	
<input type="radio"/> BIDDING (BD #66695)	
<input type="radio"/> CONSTRUCTION	



**BUILDINGS 5 & 6 RENOVATIONS**  
San Mateo County Community College District

DSA BACK-CHECK

**CAÑADA COLLEGE**  
4200 Farm Hill Boulevard  
Redwood City, CA 94061

LIGHT GAGE STEEL DETAILS

Date: 12/31/11  
Drawing Number: S9.2  
AS NOTED  
Drawing Number