

Holes cutting no more than:
 (3) ADJACENT WEBS FOR 6" AND 8" MODULE DECK,
 (2) ADJACENT WEBS FOR 12" MODULE DECK:

- ANGLES SHALL BE PLACED ON TOP OF DECK
- IF DIMENSION "A" IS GREATER THAN 4xD1, 4xD2, OR 32" WHICHEVER IS LARGER, THEN THERE IS NO RESTRICTION ON DIMENSION "B".
- IF DIMENSION "B" IS GREATER THAN 4xD1, 4xD2, OR 32" WHICHEVER IS LARGER, THEN THERE IS NO RESTRICTION ON DIMENSION "A".
- IF DIMENSION "A" AND "B" ARE LESS THAN 4xD1, 4xD2, OR 32" WHICHEVER IS LARGER, THE OPENING GROUP WILL BE CONSIDERED AS A SINGLE HOLE, AND MUST BE REINFORCED AS REQUIRED FOR THE LARGER OPENING.

FOR LARGER HOLES RECTANGULAR OR SQUARE:

- HSS SHALL BE PLACED ON TOP OF DECK.
- WHEN THE MAXIMUM DIMENSION OF AN OPENING OR AN OPENING GROUP EXCEEDS 24", PLACE HEADER BEAMS AROUND OPENING PER PLANS.

NOTES:

- HOLES LESS THAN 6" IN DIAMETER AND CUTTING WEB NEEDS NO REINFORCING.
- CONTRACTOR VERIFY REINF. ANGLES AND HSS WILL FIT WITHIN RIGID ROOF INSULATION PRIOR TO FABRICATION.

17 TYPICAL OPENING IN METAL DECK Scale: NTS

COLUMN SCHEDULE		
ID	SIZE	BASE REF. DETAIL
C1	HSS6x6x3/8	(7) 53.3
C2	HSS4x4x3/8	(8)

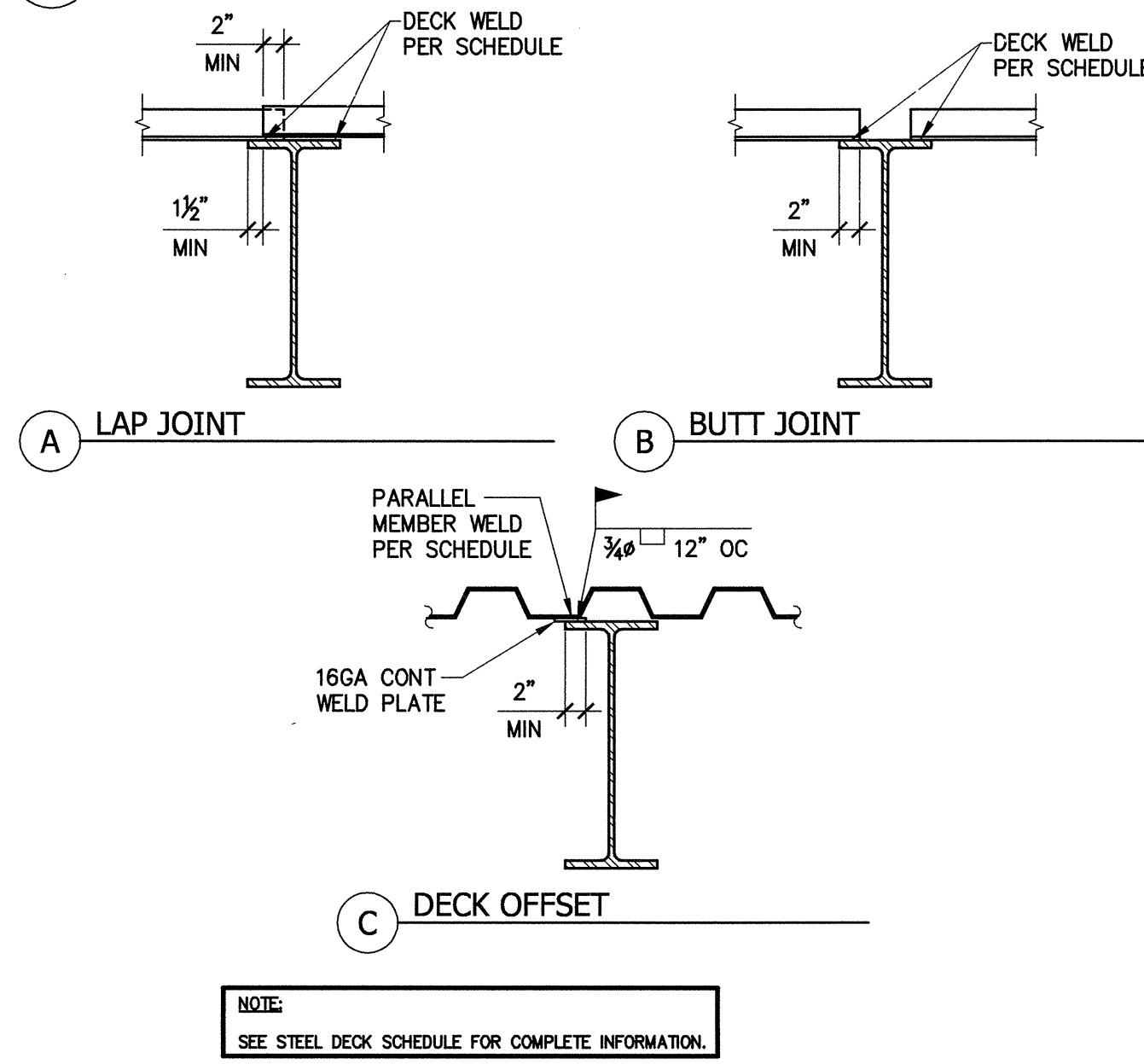
9 COLUMN SCHEDULE Scale: NTS

DECK MARK	DECK GAUGE	GALVANIZED METAL DECK OR VECO OR EQUIVALENT	MINIMUM SPANS	① PUDDLE WELD SPACING TO FLUTES	② WELDS TO SUPPORTS	SIDE LAPS
SD1	18	PLN-24	3	24"	4	24"

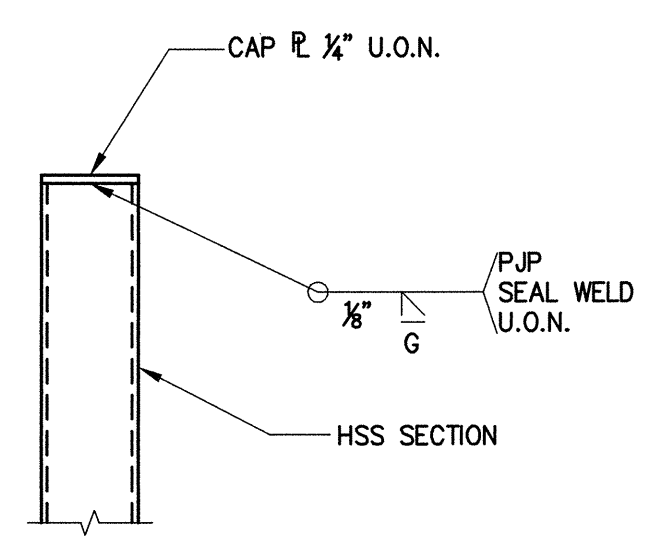
NOTES:

- DECK ORIENTATION AS SHOWN ON PLANS OVER MINIMUM NUMBER OF SPANS SHOWN.
- PROVIDE 1/2" PUDDLE WELDS AS INDICATED.

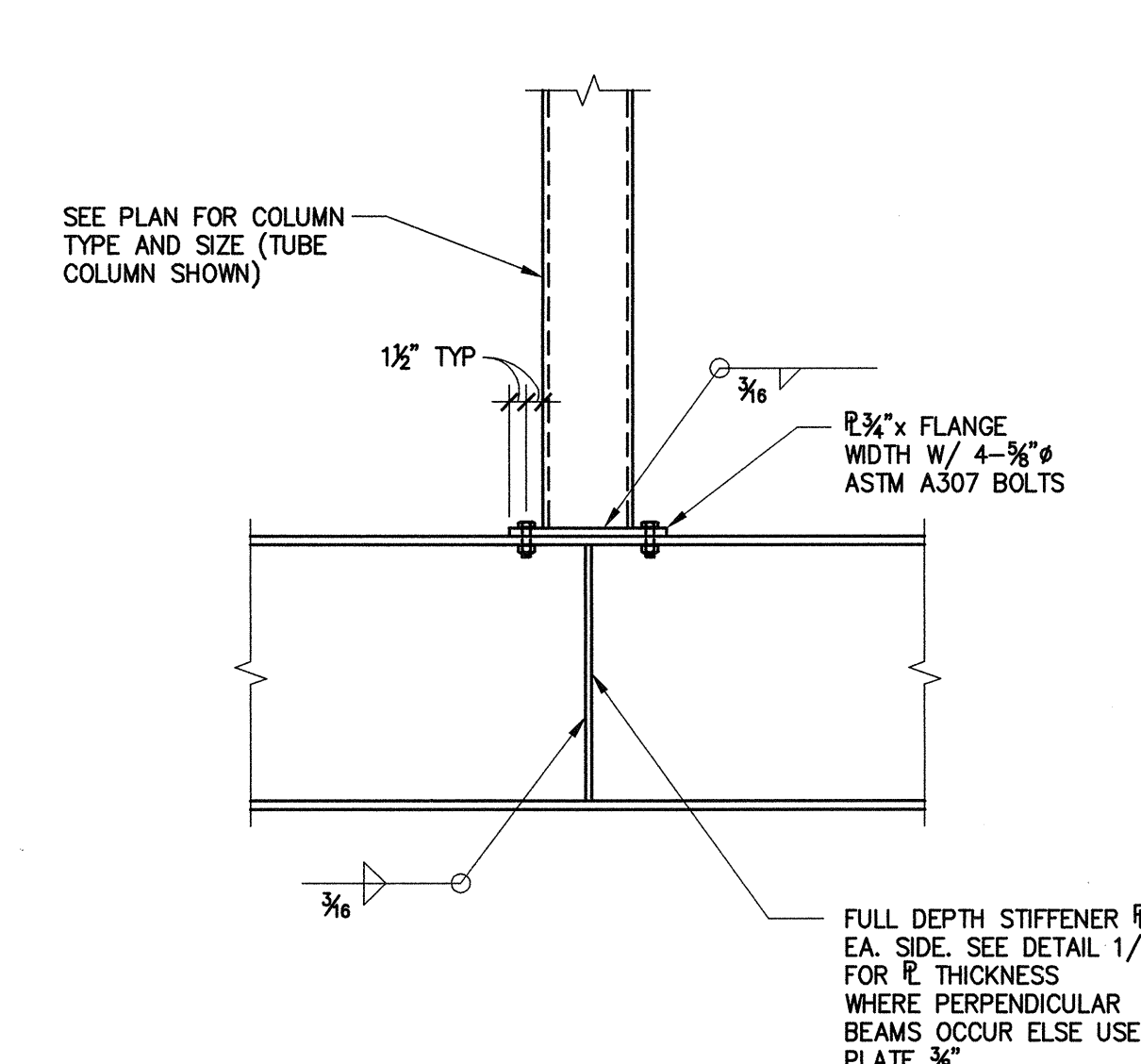
10 METAL DECK SCHEDULE Scale: NTS



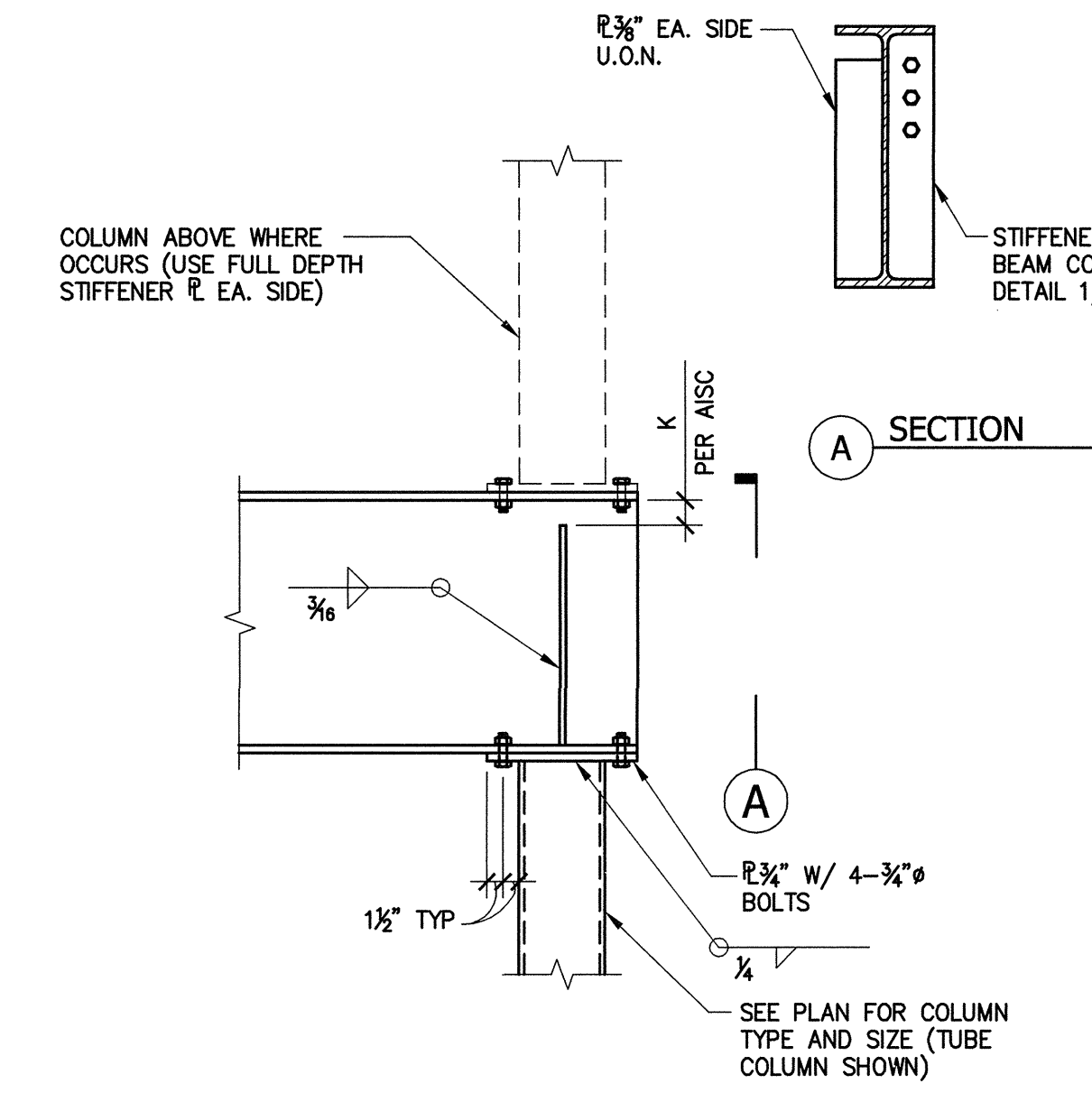
11 TYPICAL STEEL DECK EDGE Scale: NTS



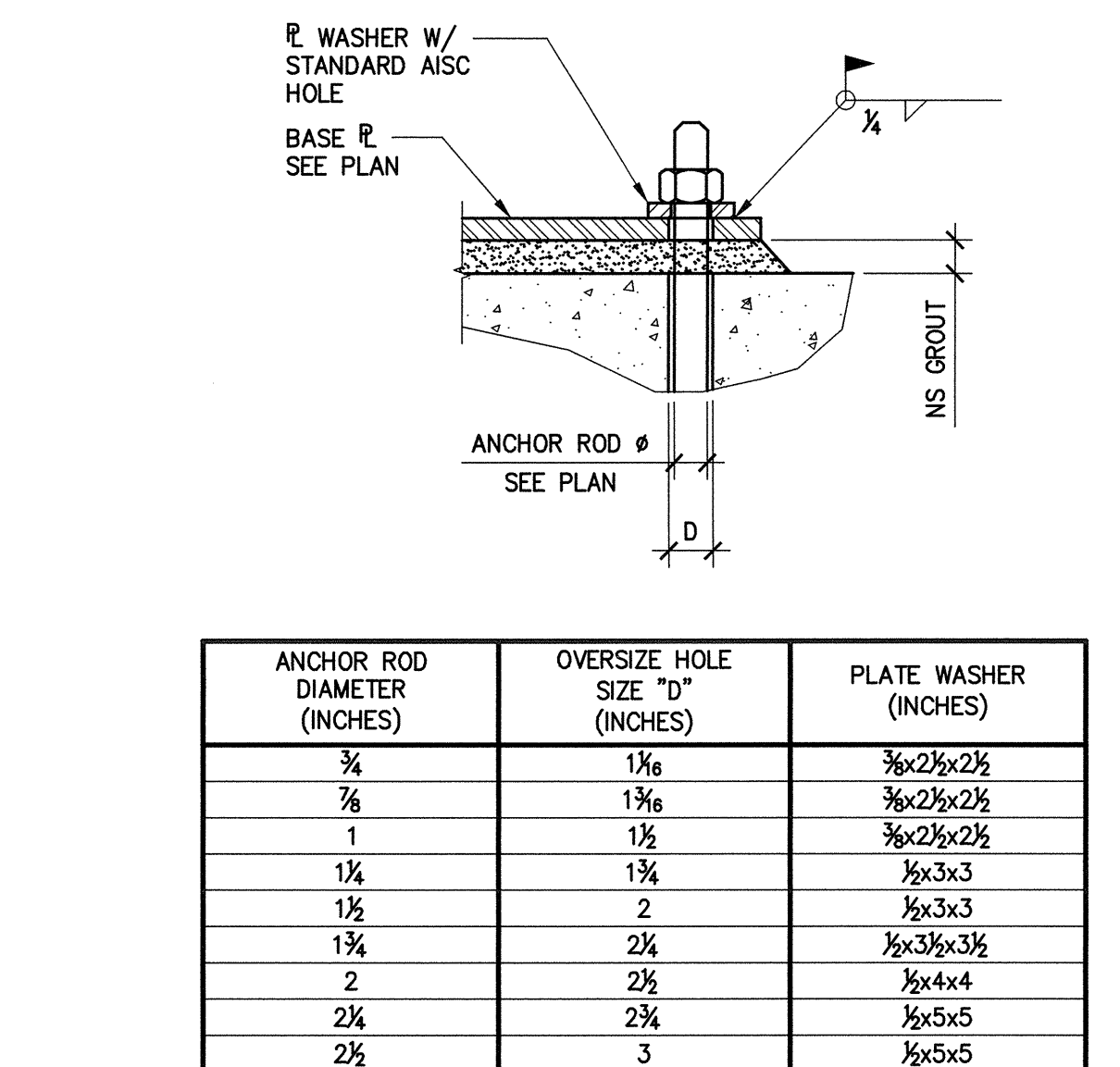
10 TYPICAL END CAP PLATE AT EXTERIOR HSS SECTIONS Scale: NTS



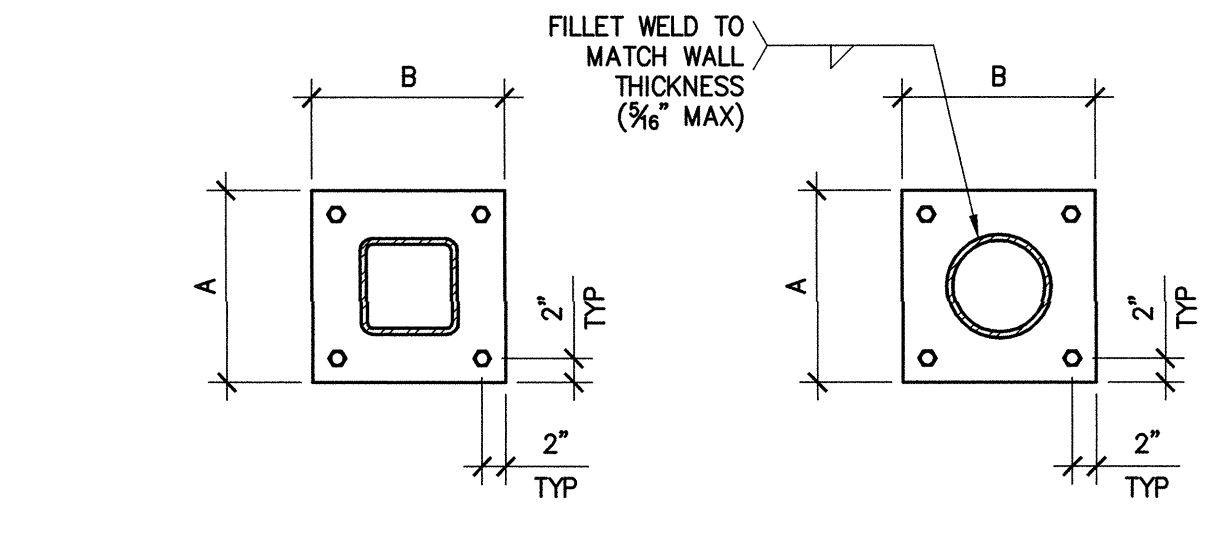
5 TYPICAL COLUMN ON WIDE FLANGE BEAM Scale: NTS



6 TYPICAL WIDE FLANGE BEAM OVER COLUMN Scale: NTS



7 TYPICAL OVERSIZED HOLE WITH WASHER Scale: NTS



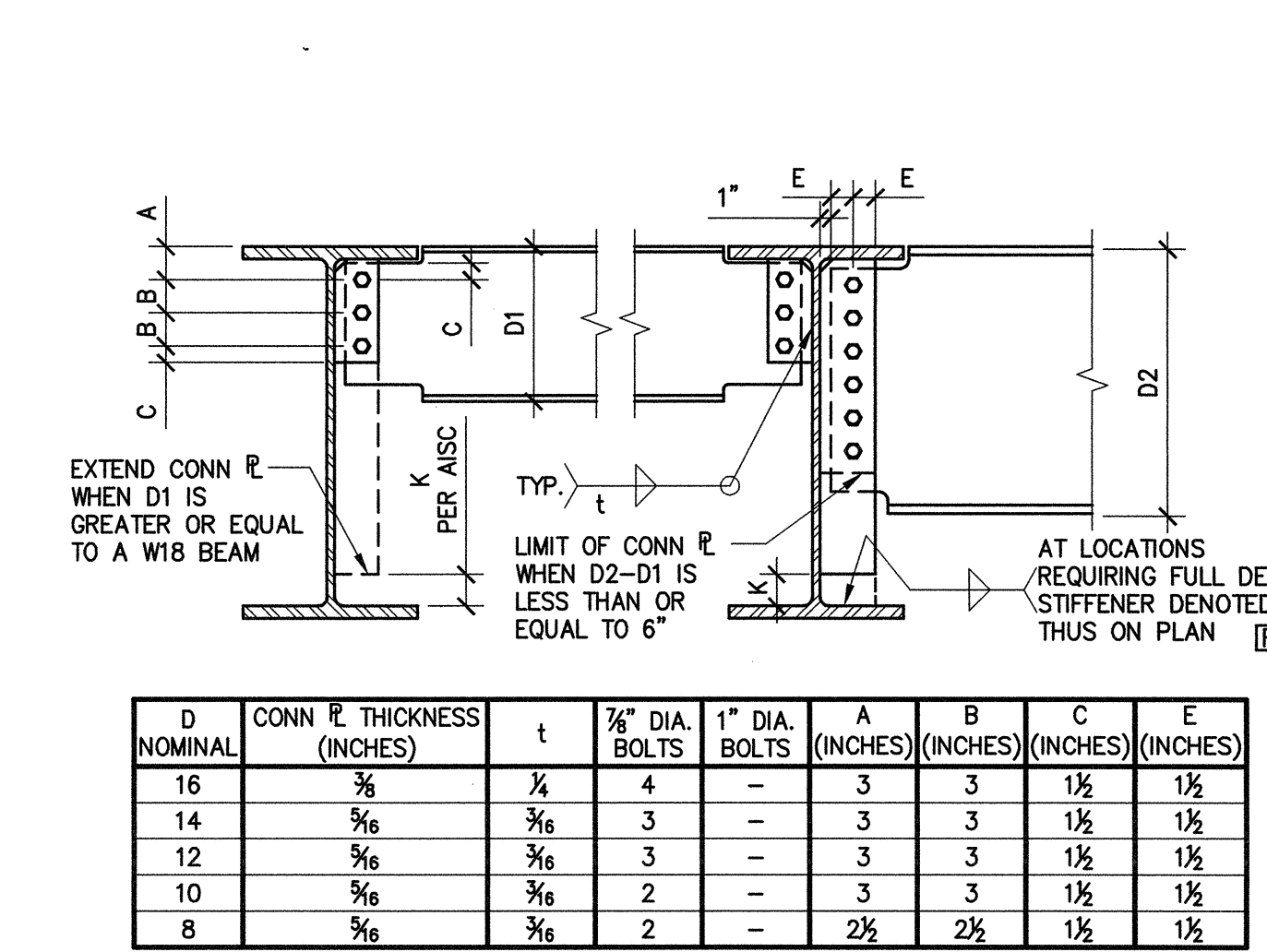
COLUMN SIZE	BASE PLATE THICKNESS	A (INCHES)	B (INCHES)	A307 ANCHOR BOLTS
HSS4x4	4"	12	12	4-3/4" x 12" EMBEDMENT

NOTES:

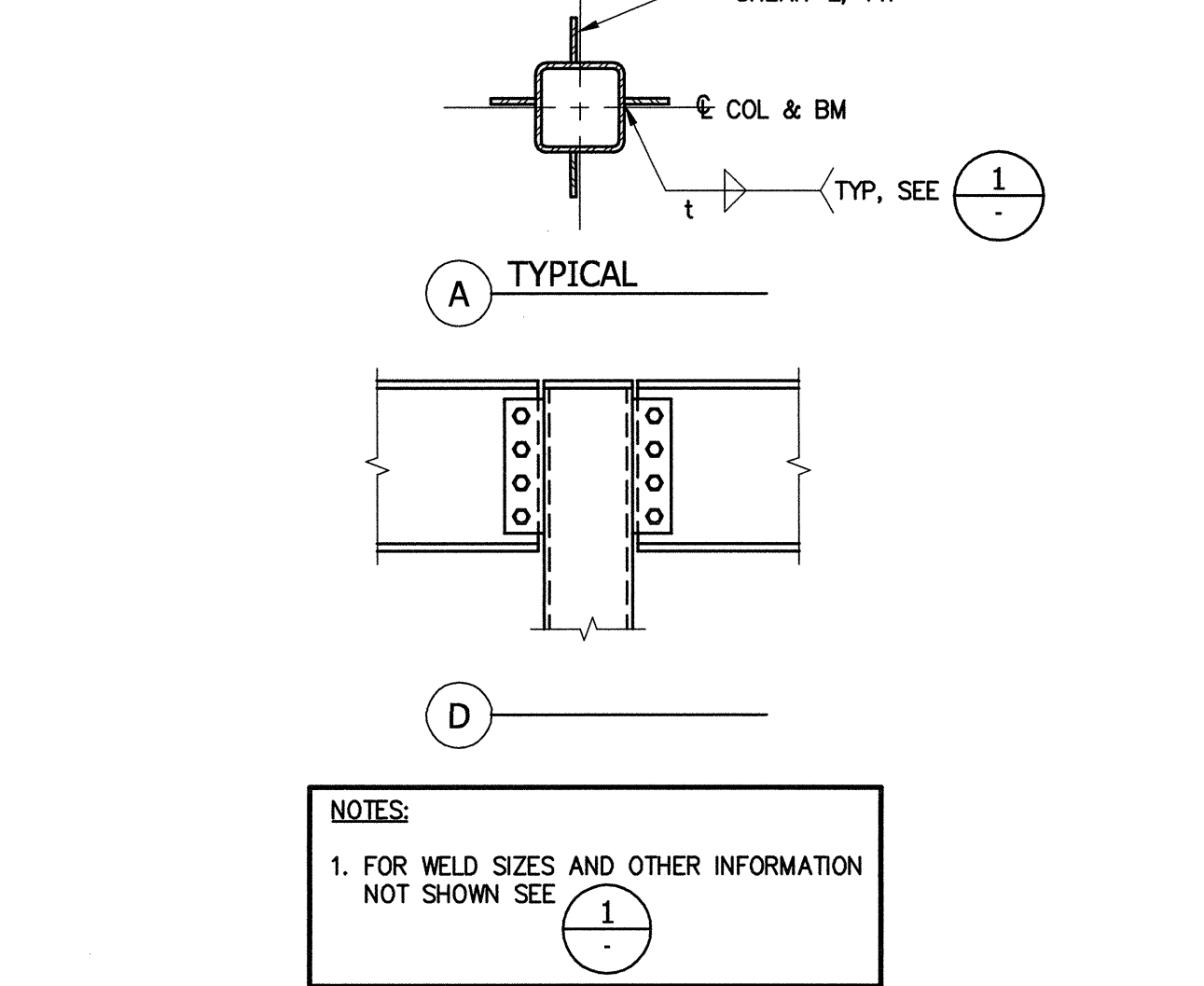
- PROVIDE 1 1/2 TO 2 INCHES OF NON-SHRINK GROUT.
- OVER-SIZED BOLT HOLES W/ WASHER PER MAY BE USED AT CONTRACTOR'S OPTION.
- PROVIDE DOUBLE NUTS FOR HEIGHT ADJUSTMENT.

* AT EXISTING CONCRETE PROVIDE 3/4" x 12" EMBED FROM ANCHORS

8 TYPICAL PIPE & TUBE COLUMN BASE PLATE SCHEDULE Scale: NTS



1 TYPICAL BOLTING SCHEDULE Scale: NTS



2 TYPICAL BEAM TO HSS COLUMN CONNECTION Scale: NTS



10 TYPICAL END CAP PLATE AT EXTERIOR HSS SECTIONS Scale: NTS



7 TYPICAL OVERSIZED HOLE WITH WASHER Scale: NTS



8 TYPICAL PIPE & TUBE COLUMN BASE PLATE SCHEDULE Scale: NTS

REVISIONS	
NO.	DESCRIPTION

8 TYPICAL PIPE & TUBE COLUMN BASE PLATE SCHEDULE Scale: NTS

REVISIONS	
NO.	DESCRIPTION

DATE: January 14, 2011
 DRAWN: PIL
 CHECKED: JKW
 SCALE: []
 JOB NO.: 2921.01
 SHEET NUMBER