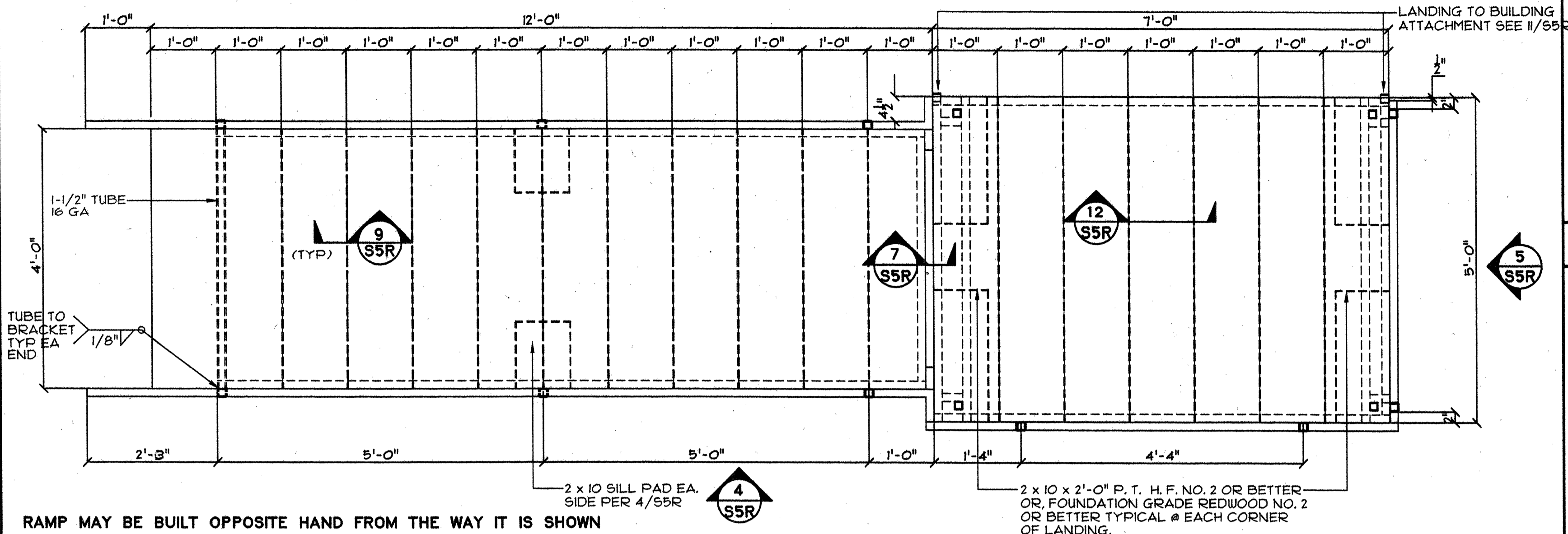
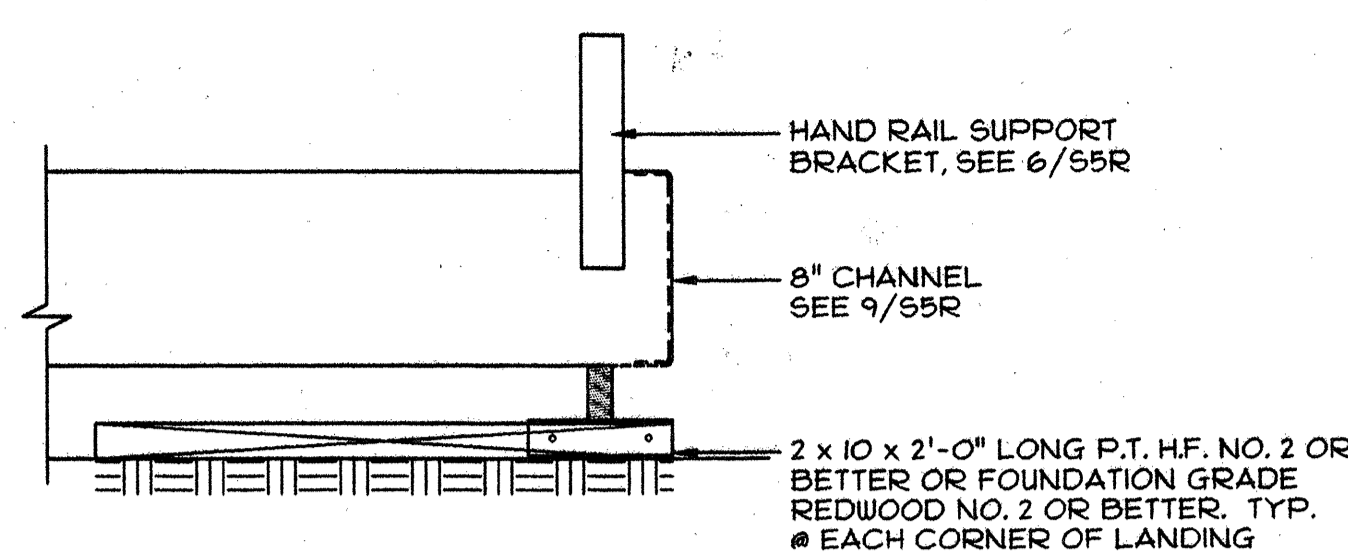


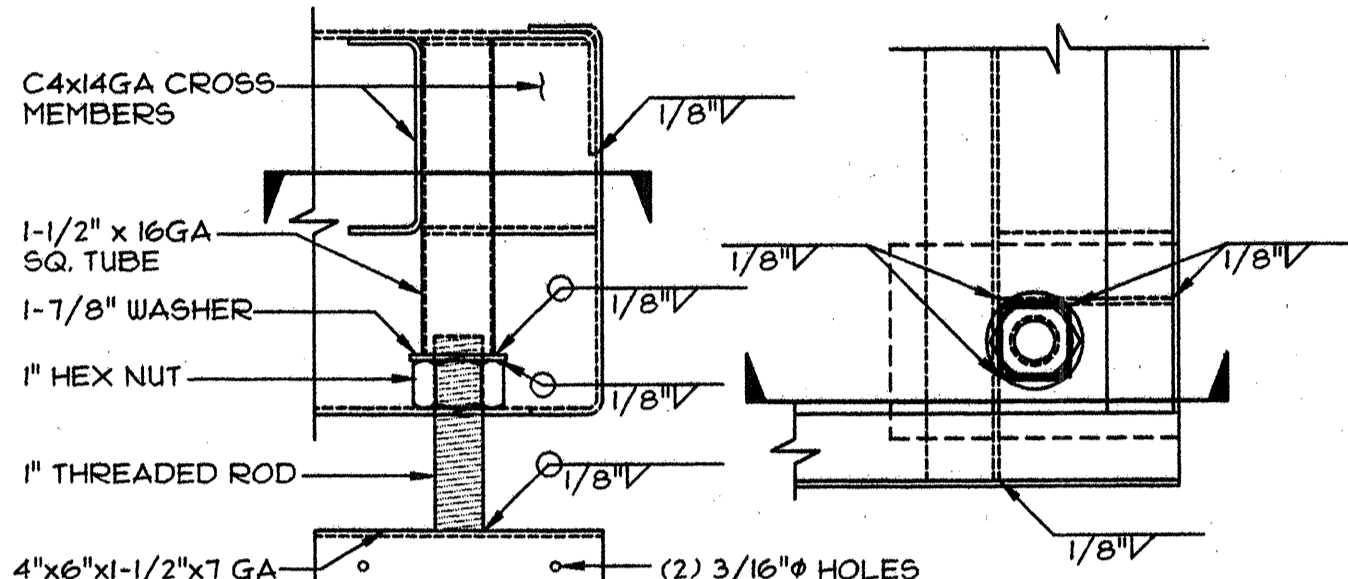
DSA ACCESS COMPLIANCE NOTE: FLOOR HEIGHT MAY VARY FROM 12" TO 18" DEPENDENT UPON FOUNDATION AND SITE CONDITIONS. OWNER SHALL PROVIDE ADDITIONAL RAMP LENGTHS TO MAINTAIN 1" IN 12" SLOPE.



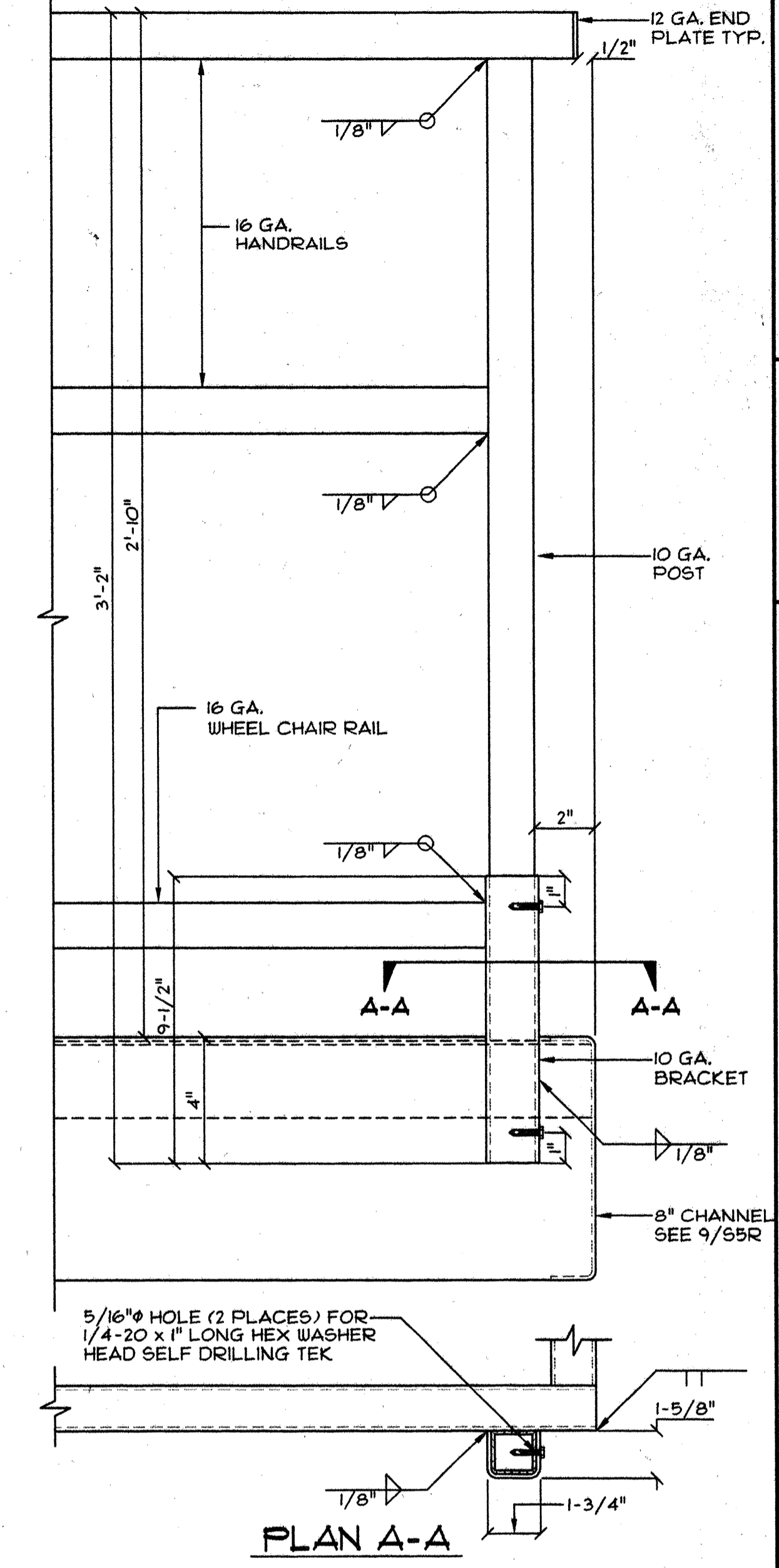
1 RAMP/LANDING FRAMING PLAN
SCALE: 3/4"=1'-0"



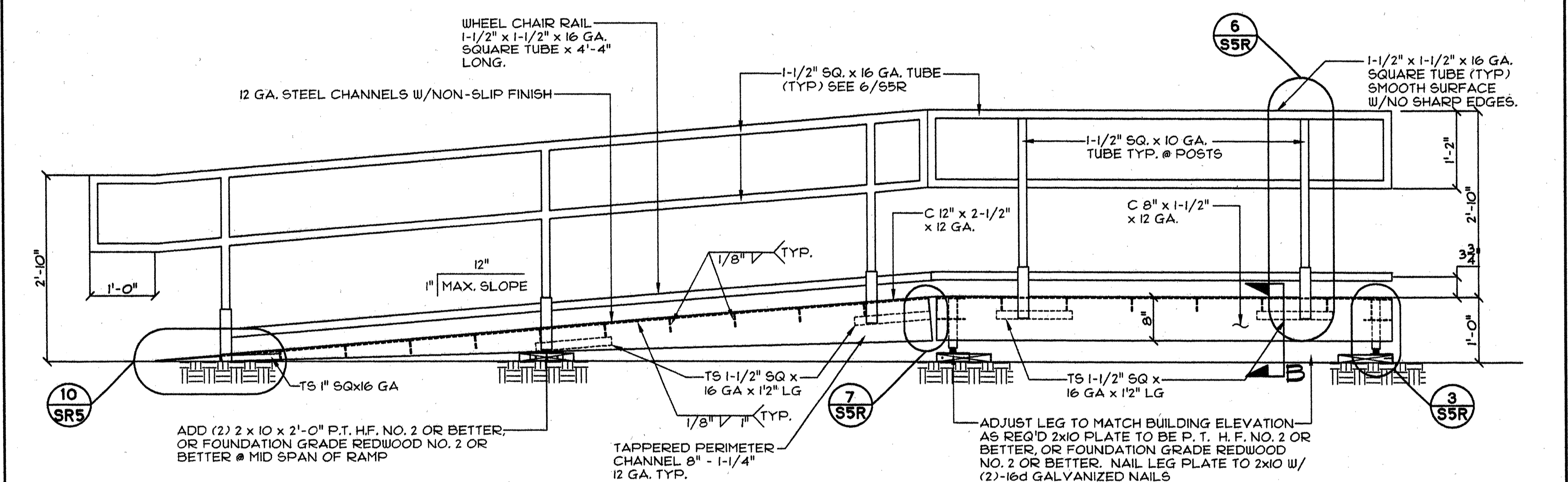
2 LANDING BASE
SCALE: 1-1/2"=1'-0"



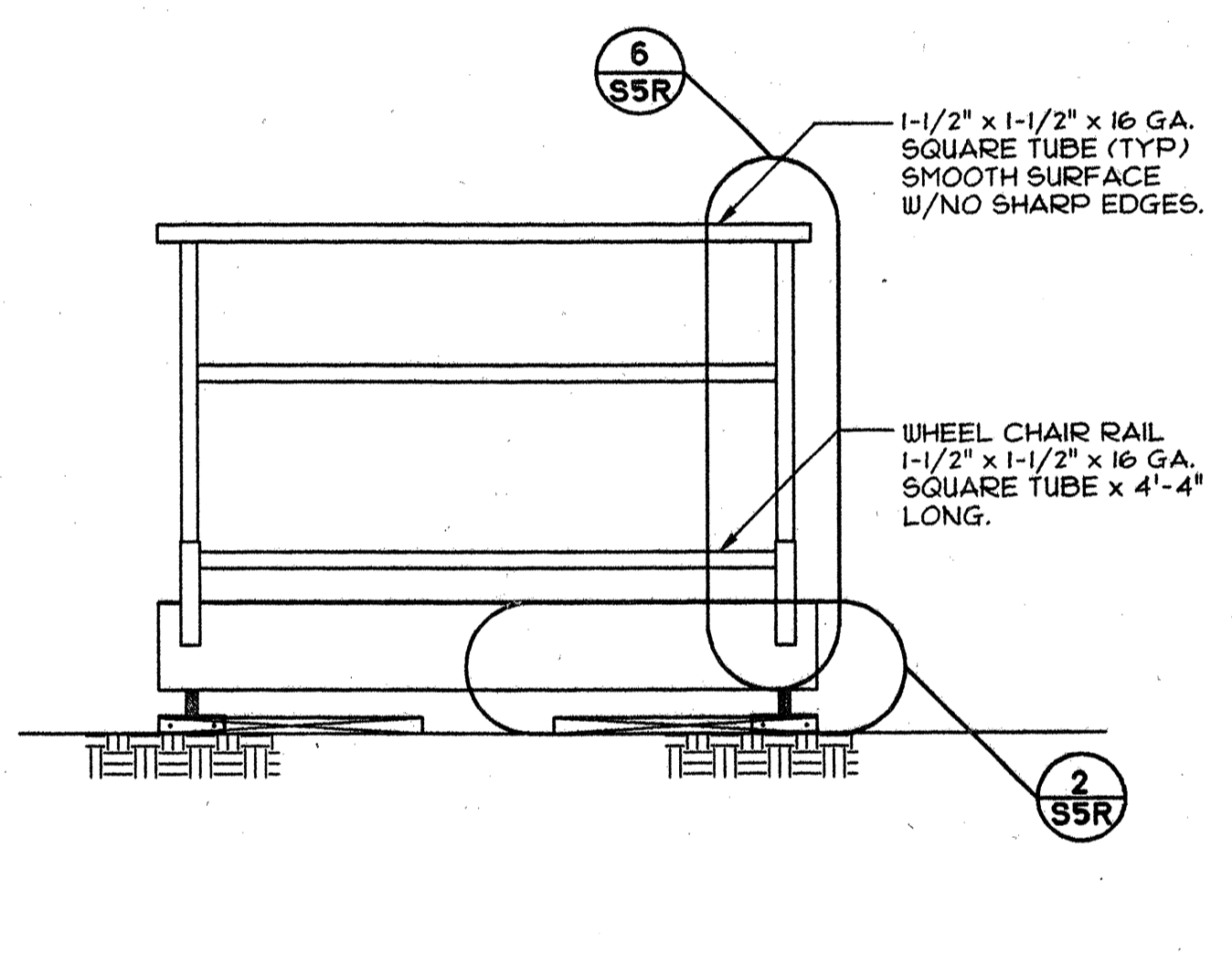
3 ADJUSTABLE LEG & BASE DETAIL
SCALE: 3"=1'-0"



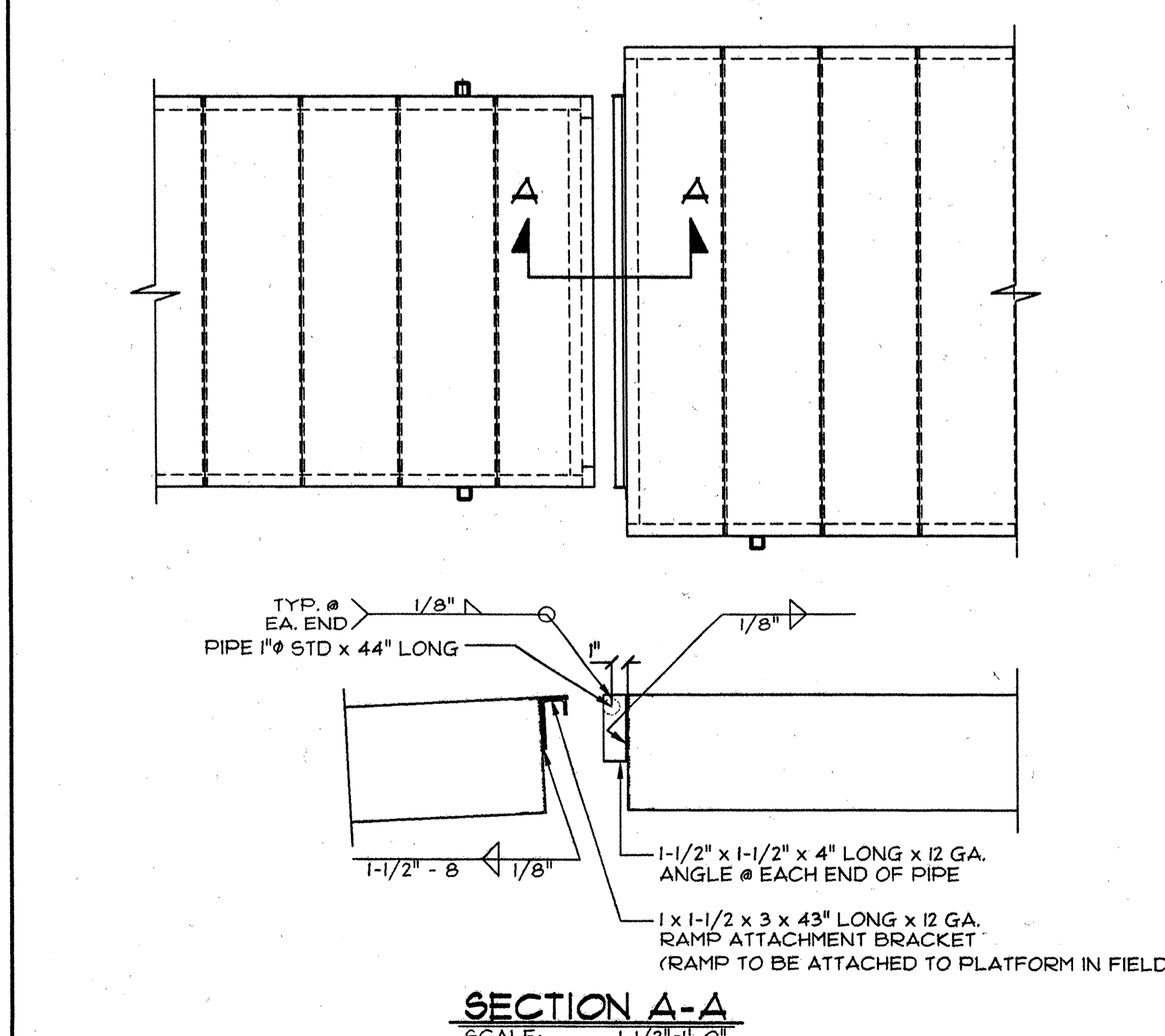
6 HANDRAIL SUPPORT BRACKET
SCALE: 3"=1'-0"



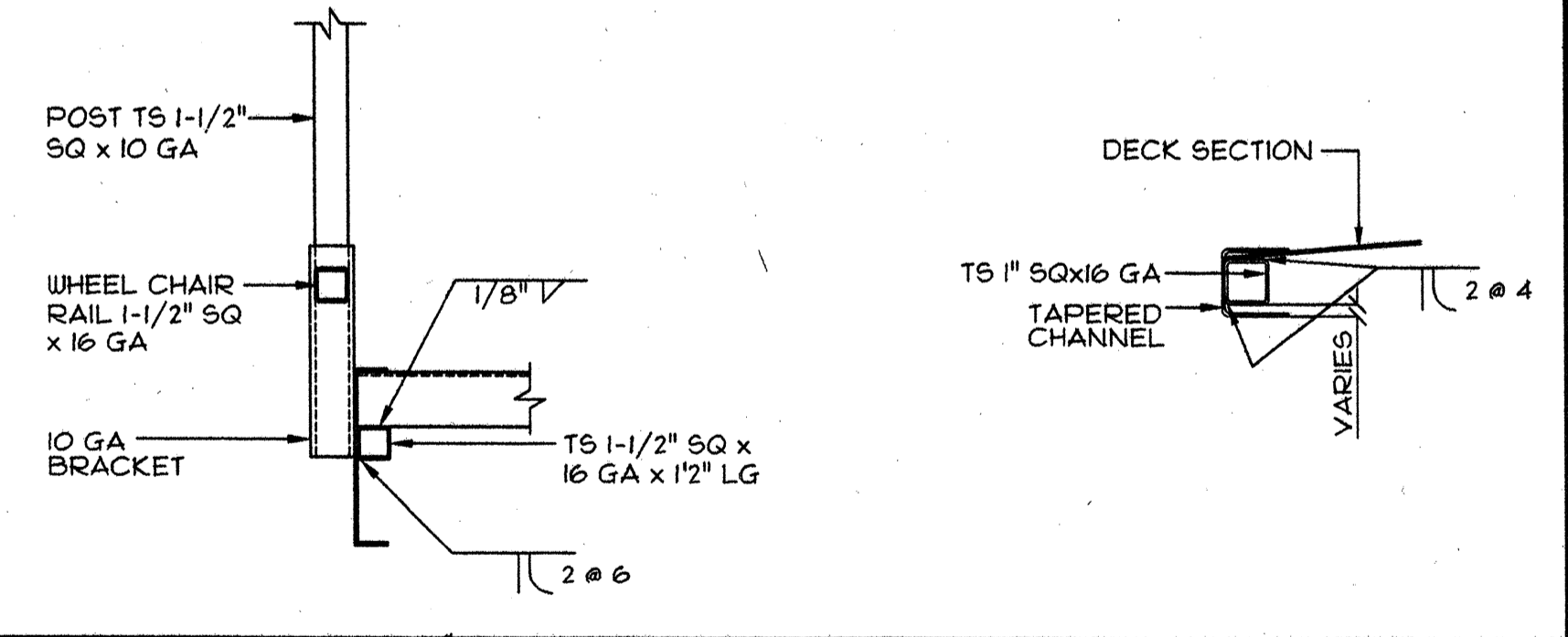
4 RAMP/LANDING SIDE ELEVATION
SCALE: 3/4"=1'-0"



5 END ELEVATION
SCALE: 3/4"=1'-0"

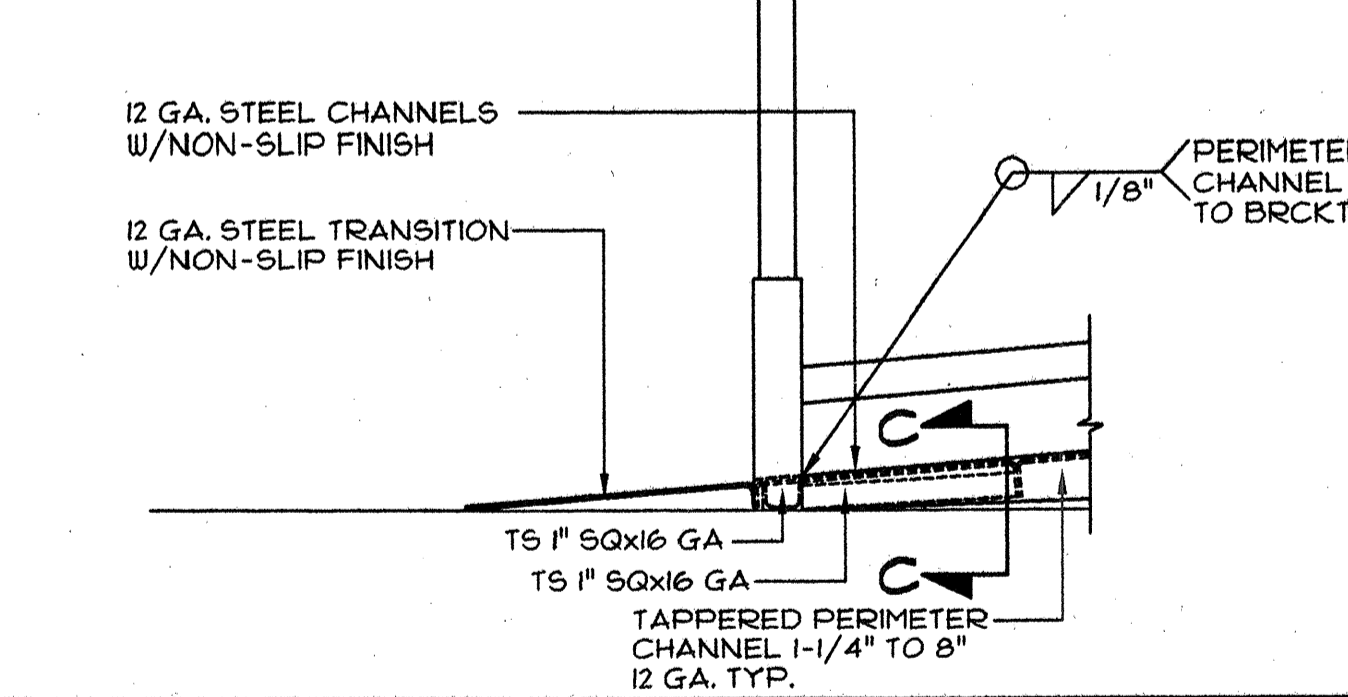


7 RAMP/LANDING ATTACHMENT BRACKETS
SCALE: 3/4"=1'-0" OR AS NOTED

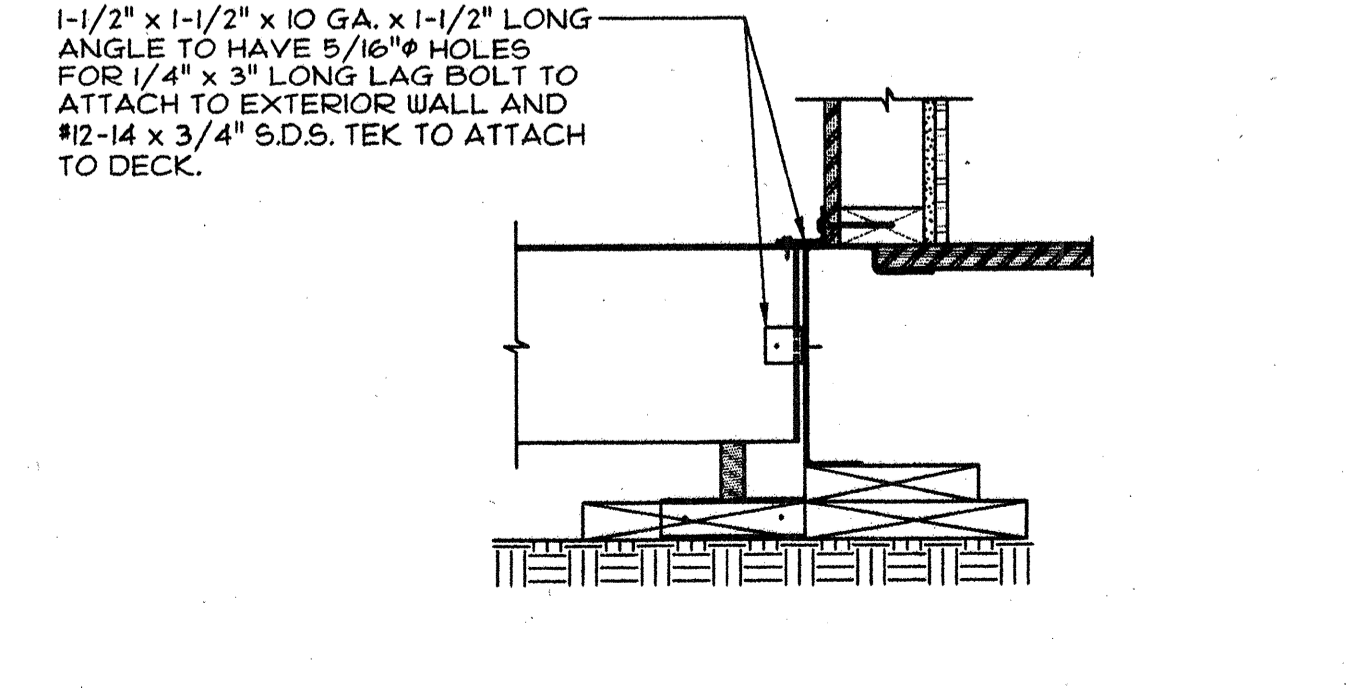


9 FLOOR CHANNEL AND PERIMETER BEAM
SCALE: 3"=1'-0"

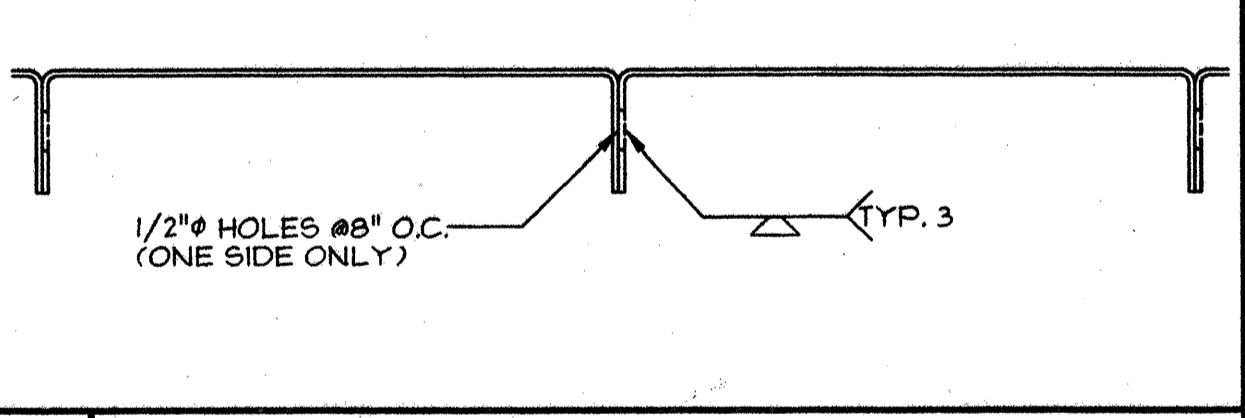
	EFFECTIVE SECTION PROPERTIES			
	FLOOR CHANNELS	FLOOR JOIST	PERIMETER BEAM	
A (IN ²)	1.51	.51	1-1/4"	8"
I _x MIN (IN ⁴)	1.52	1.19	1.58	8.36
S _x MIN (IN ³)	.75	.59	.79	2.12
T (IN)	.105"(12 GA.)	.075"(14 GA.)	.105"(12 GA.)	.105"(12 GA.)



10 O-CLEARANCE TRANSITION
SCALE: 1-1/2"=1'-0"



11 LANDING ATTACHMENT TO BUILDING
SCALE: 1-1/2"=1'-0"



12 FLOOR CHANNEL ATTACHMENT
SCALE: 3"=1'-0"

DIVISION OF THE STATE ARCHITECT

PC

IDENTIFICATION STAMP
DIVISION OF THE STATE ARCHITECT

02-101236

AC: [Signature] DATE: 11/19/99

DESIGN CRITERIA

RAMP: DEAD LOAD - 5.0 PSF
RAMP: LIVE LOAD - 100.0 PSF

REVISION DATE: BY:

DATE:

THIS MODULAR BLDG. HAS BEEN ENGINEERED BY A REGISTERED STRUCTURAL ENGINEER AND PREVIOUSLY REVIEWED & APPROVED BY THE DIVISION OF THE STATE ARCHITECT, FIRE & LIFE SAFETY AND ACCESS COMPLIANCE SECTION

13 APPROVALS

JH Lawder, Inc.
Structural Engineers
717 10th STREET
MADERA, CA 95354
(916) 361-1143 FAX (916) 361-1166

ENVIROPLEX, INC.
4777 E. CARPENTER ROAD STOCKTON, CA. 95215

HANDICAP ACCESS RAMP

REVISION DATE: BY:

DATE:

THIS MODULAR BLDG. HAS BEEN ENGINEERED BY A REGISTERED STRUCTURAL ENGINEER AND PREVIOUSLY REVIEWED & APPROVED BY THE DIVISION OF THE STATE ARCHITECT, FIRE & LIFE SAFETY AND ACCESS COMPLIANCE SECTION