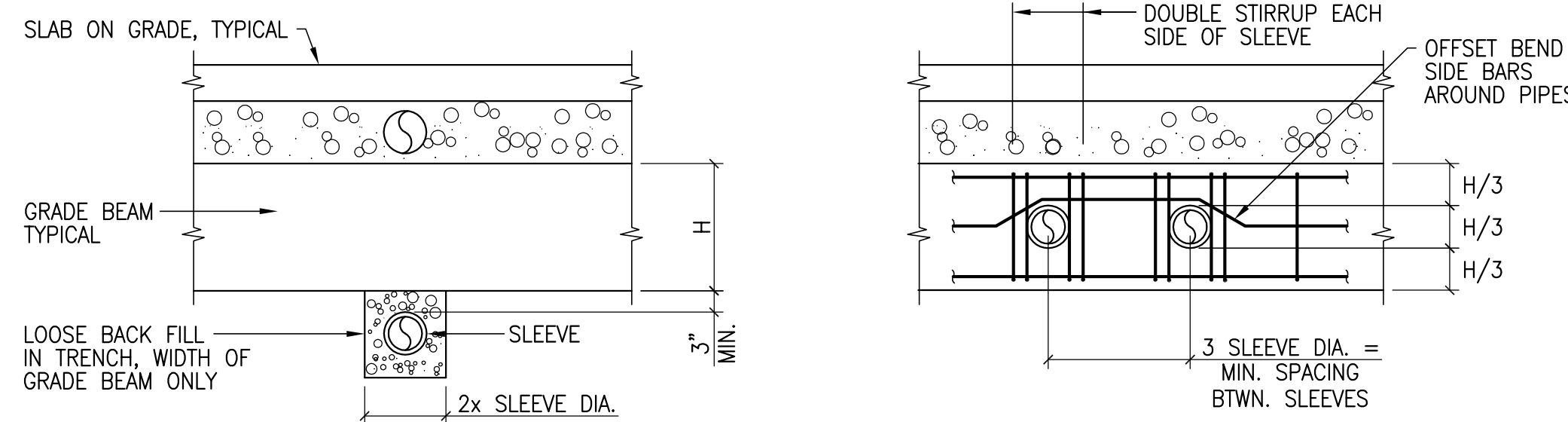


OPTIONAL STRIP POUR PATTERN

NOTES: 1. THERE SHALL BE A MINIMUM OF 48 HOURS BETWEEN POURS 1 & 2

SLAB ON GRADE POUR PATTERN 17 S5.1



PIPES ALLOWED ABOVE OR BELOW AS SHOWN ABOVE (A)

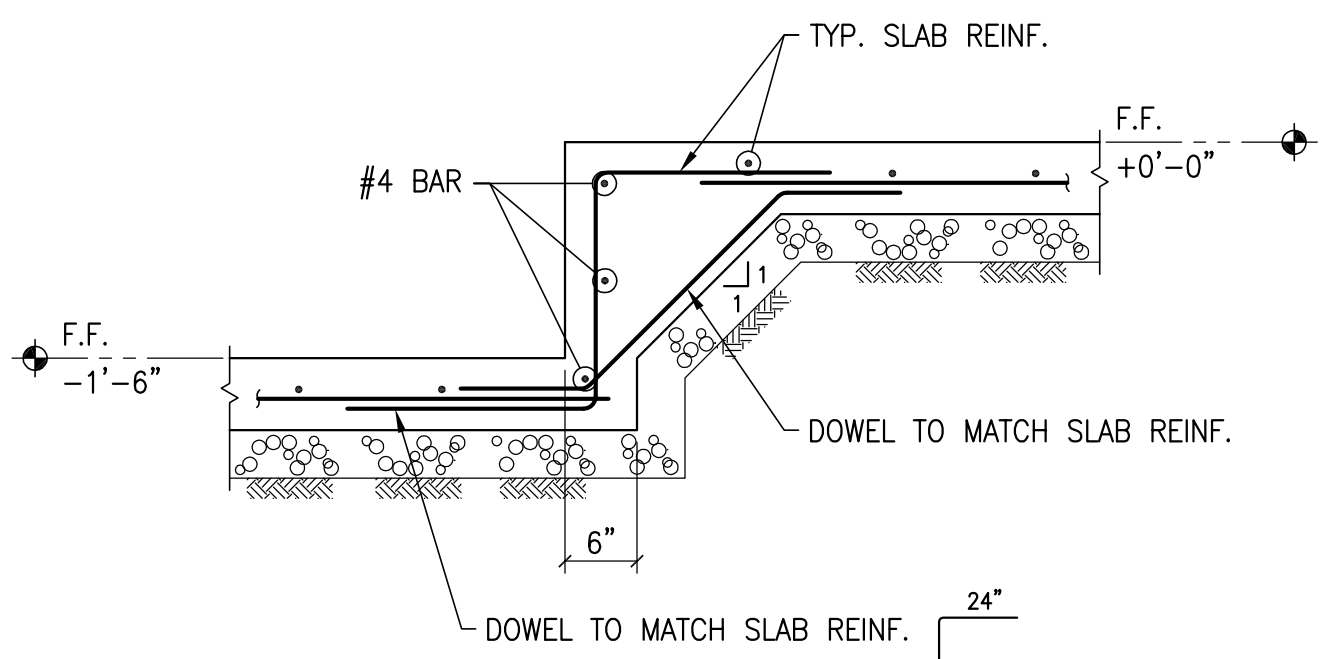
1. DO NOT CUT OR INTERRUPT GRADE BEAM REINFORCING.
2. MAXIMUM OUTER DIAMETER FOR SLEEVES IS H/3.
3. FOR SIZE AND LOCATION OF PIPES S.P.D., S.E.D., S.L.D., S.M.D.

4. LENGTH OF SLEEVE = WIDTH OF GRADE BEAM.
5. FOR PIPES PARALLEL TO GRADE BEAMS, SEE DETAIL.
6. PIPES SHALL NOT BE PLACED LONGITUDINALLY INSIDE GRADE BEAM.

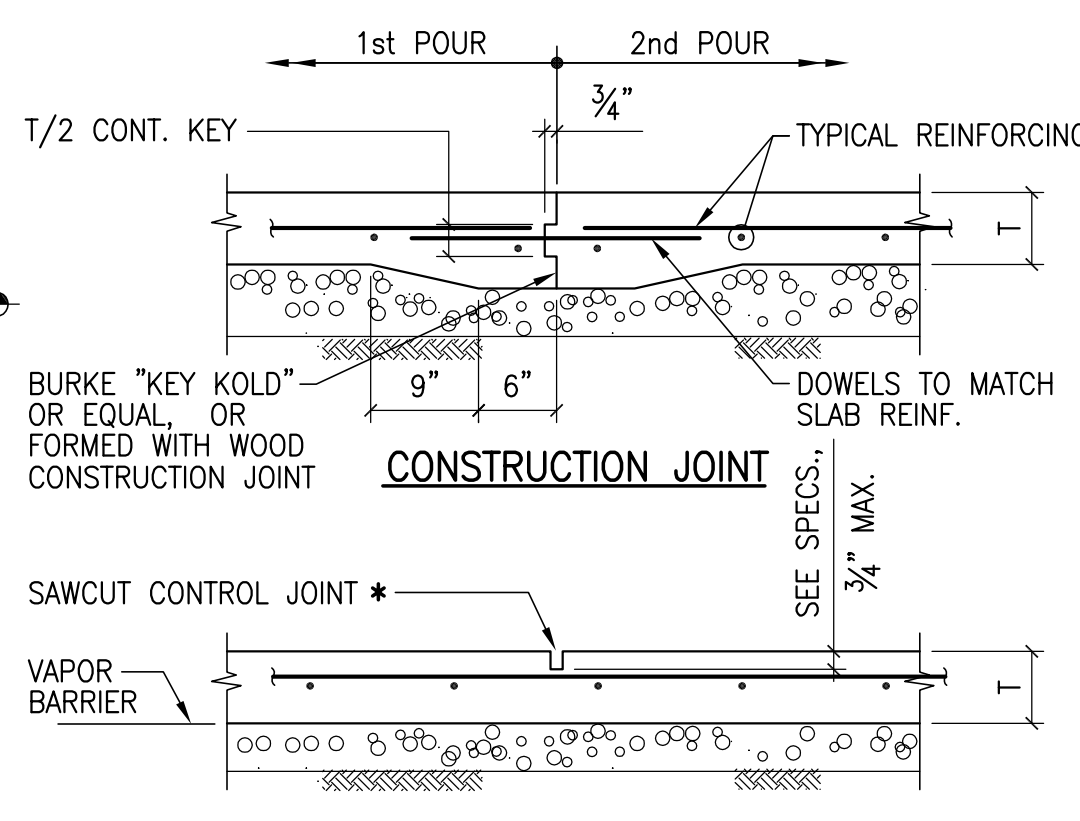
PIPE PENETRATION ALLOWED WITHIN MIDDLE THIRD OF GRADE BEAM (B)

○ = PIPE WITHOUT SLEEVE
⊙ = PIPE WITH SCHEDULE 40 STEEL SLEEVE, 1" CLR. ALL AROUND

TYPICAL PIPE AND SLEEVE THRU GRADE BEAMS 9 S5.1

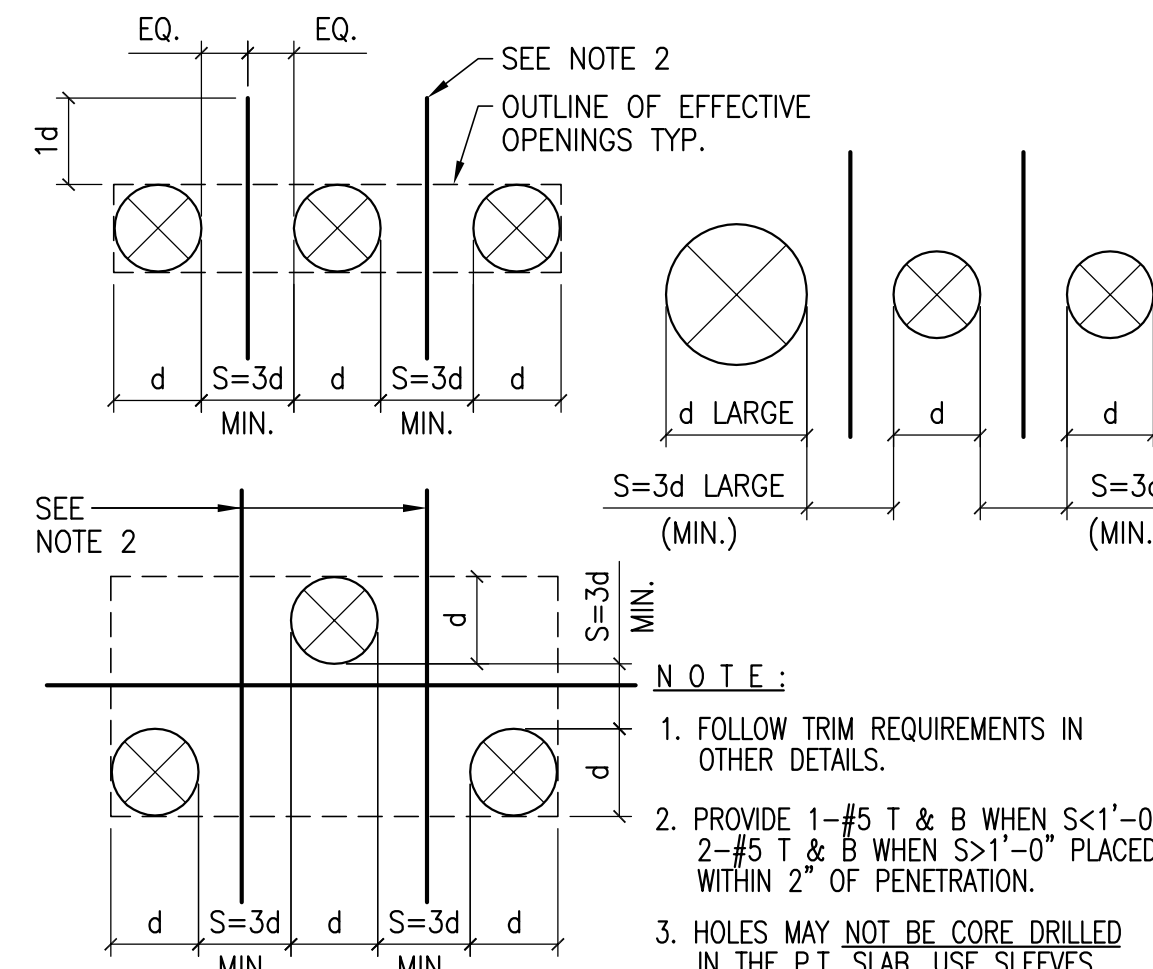


DEPRESSED SLAB ON GRADE DETAILS 18 S5.1

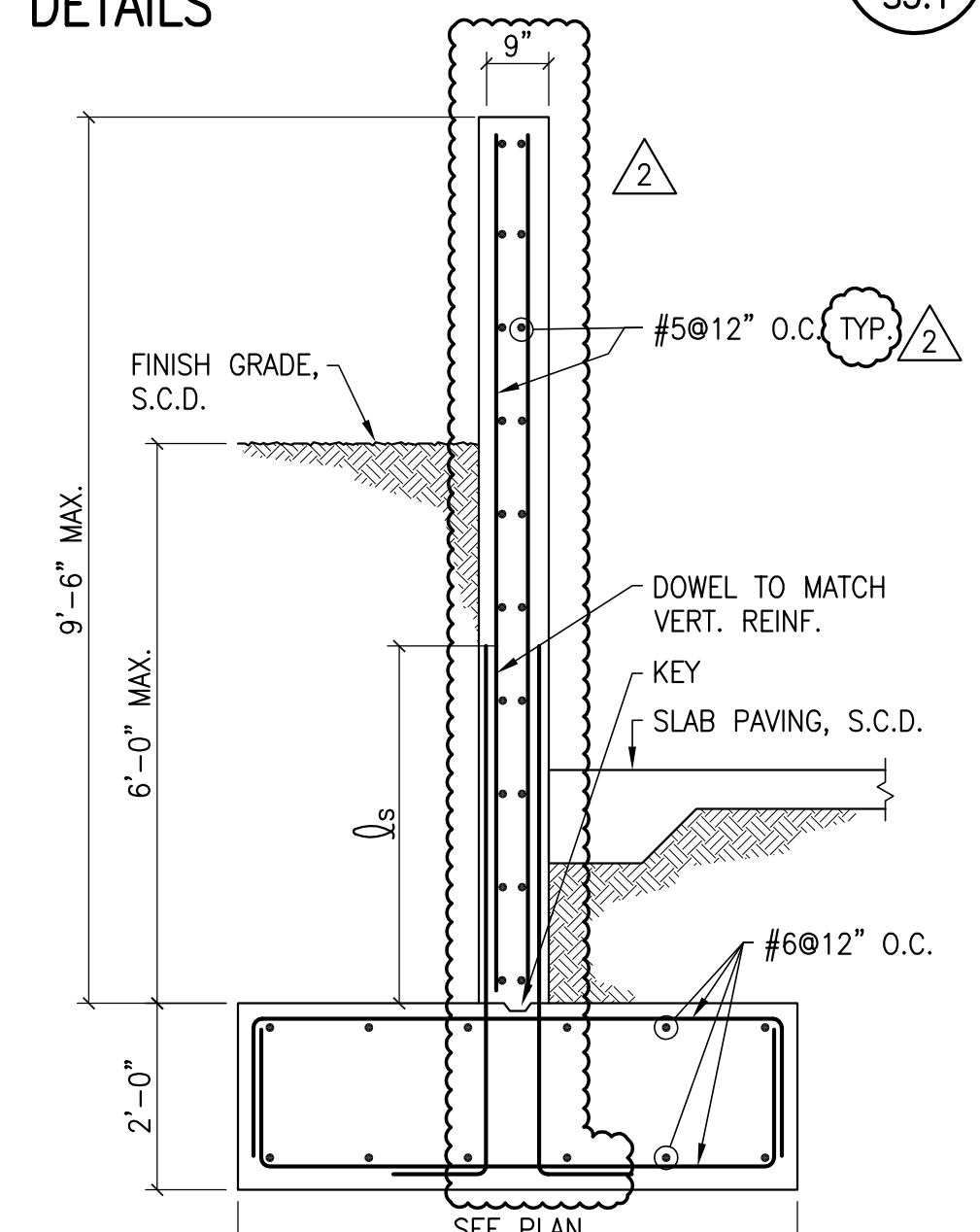


* SAWING MUST OCCUR AS SOON AS CONCRETE SURFACE IS FIRM ENOUGH SO CONCRETE WILL NOT BE DAMAGED, BUT NOT LATER THAN 12 HOURS AFTER CONCRETE HAS BEEN POURED.

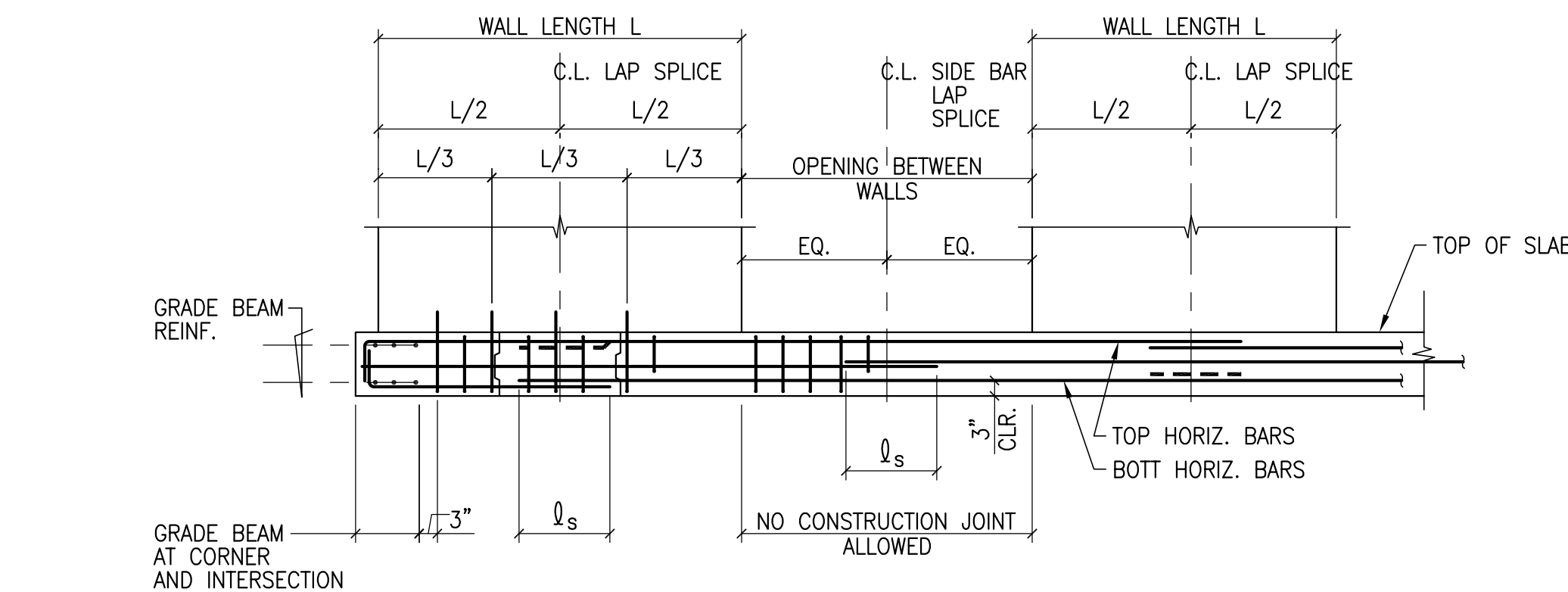
TYPICAL INTERIOR SLAB ON GRADE JOINTS 14 S5.1



MULTIPLE SLAB PENETRATIONS 10 S5.1



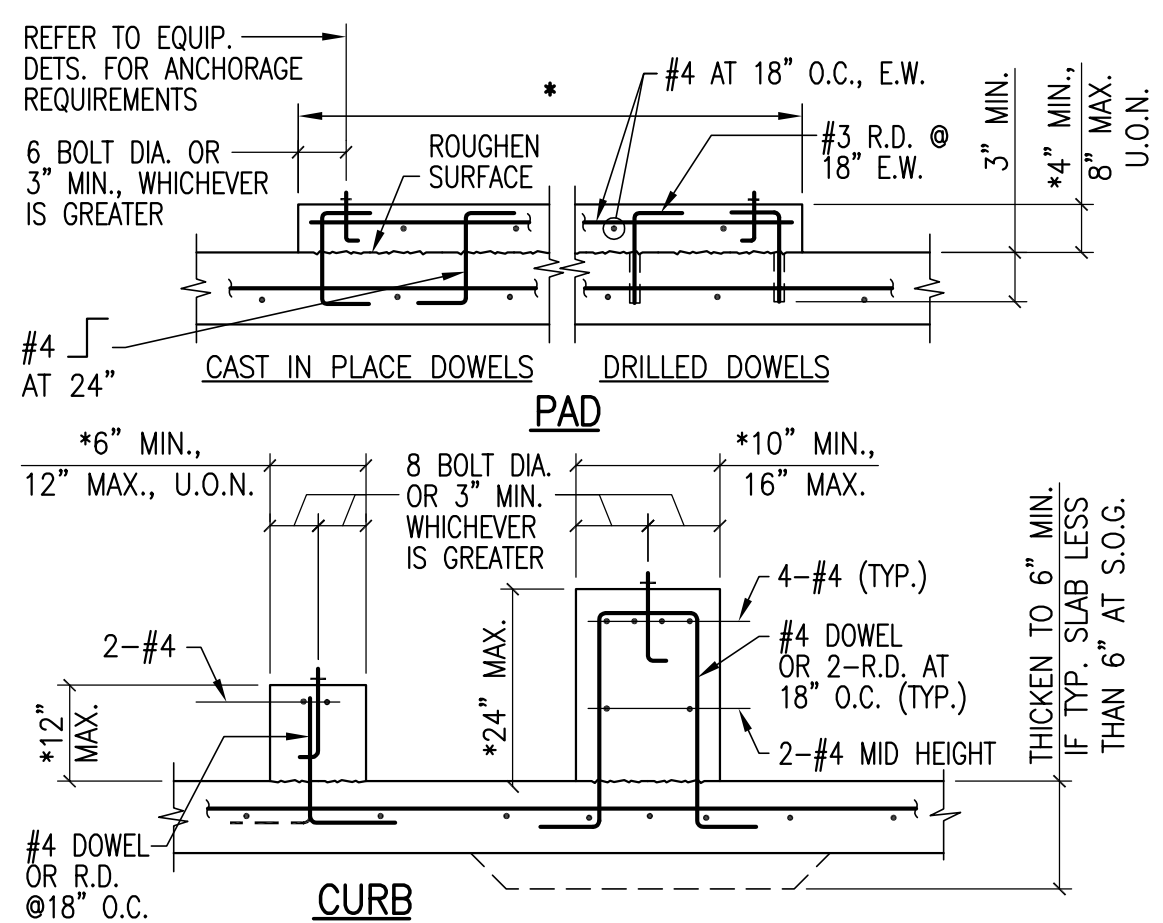
SECTION 19 S5.1



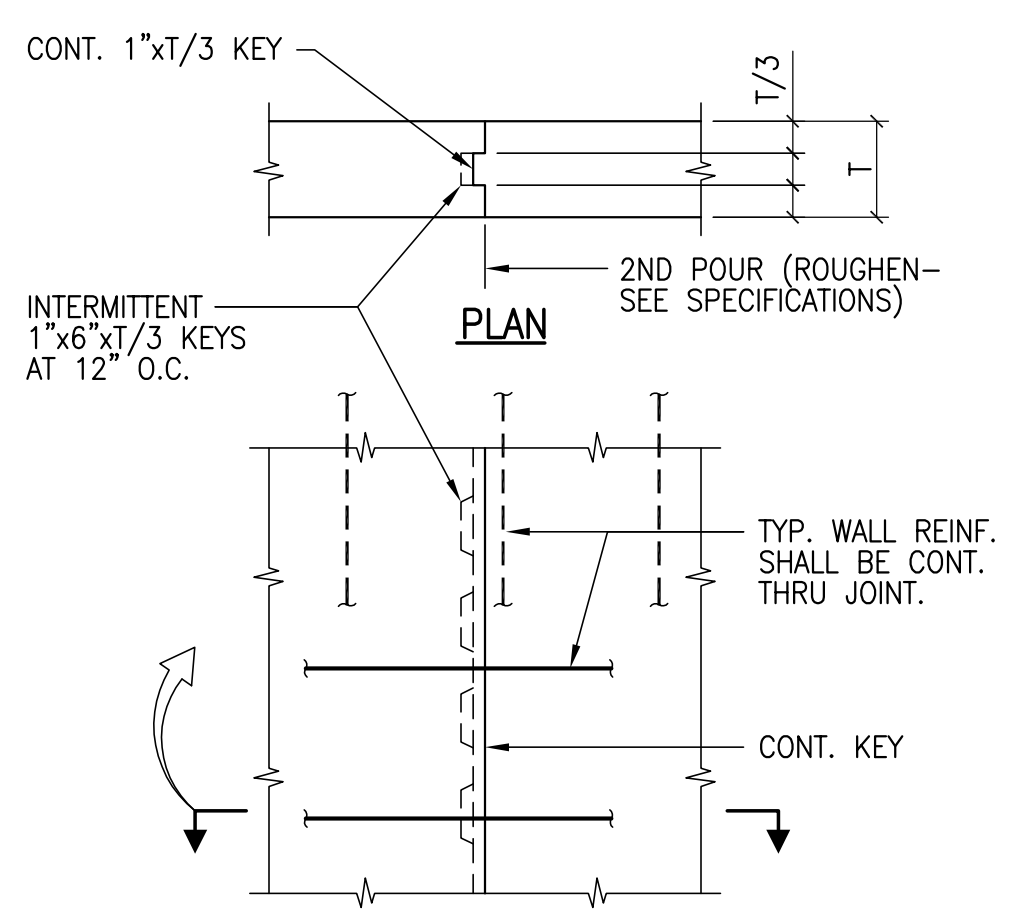
ELEVATION AT CMU WALL

NOTES:
1. WHERE APPLICABLE, MAKE HORIZONTAL REINFORCING AS LONG AS PRACTICAL, STAGGER LAP SPICES.
2. LOCATE GRADE BEAM REINFORCING TO CLEAR VERTICAL WALL, PIER REINFORCING, ANCHOR BOLTS AND PIPE SLEEVES, SEE STRUCTURAL DETAILS AND PLUMBING DRAWINGS, TYPICAL.

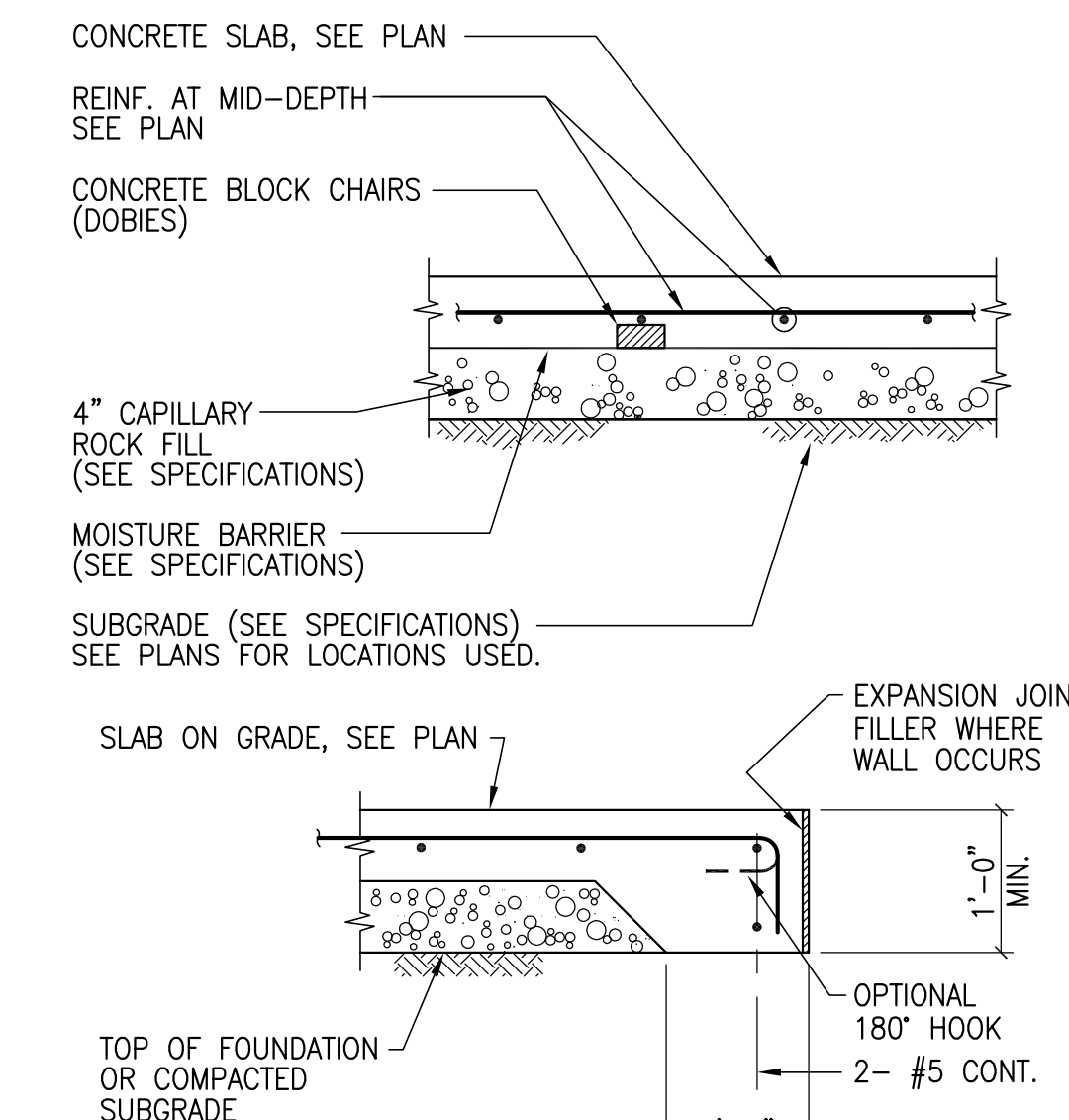
TYPICAL GRADE BEAM ELEVATIONS 11 S5.1



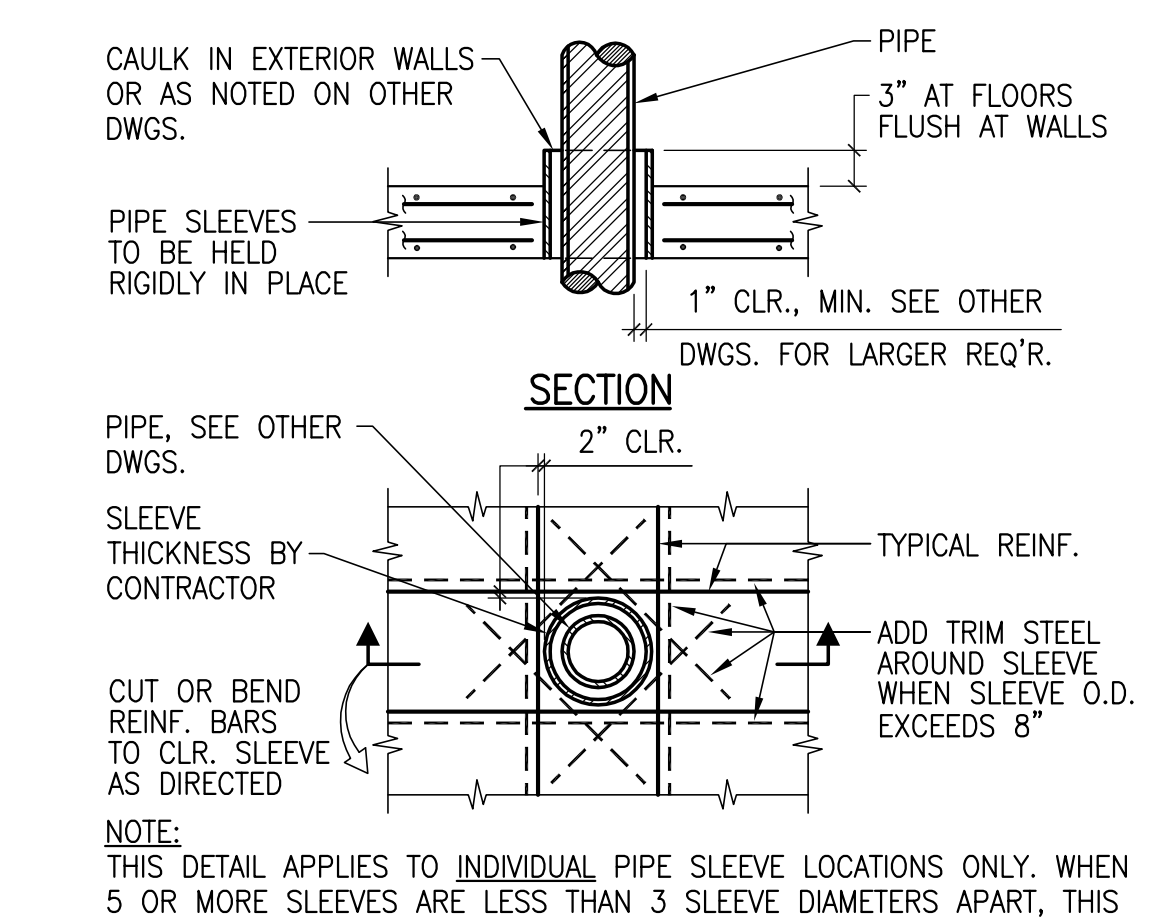
TYPICAL CONCRETE EQUIPMENT SUPPORTS 24 S5.1



TYPICAL WALL CONSTRUCTION JOINTS 20 S5.1



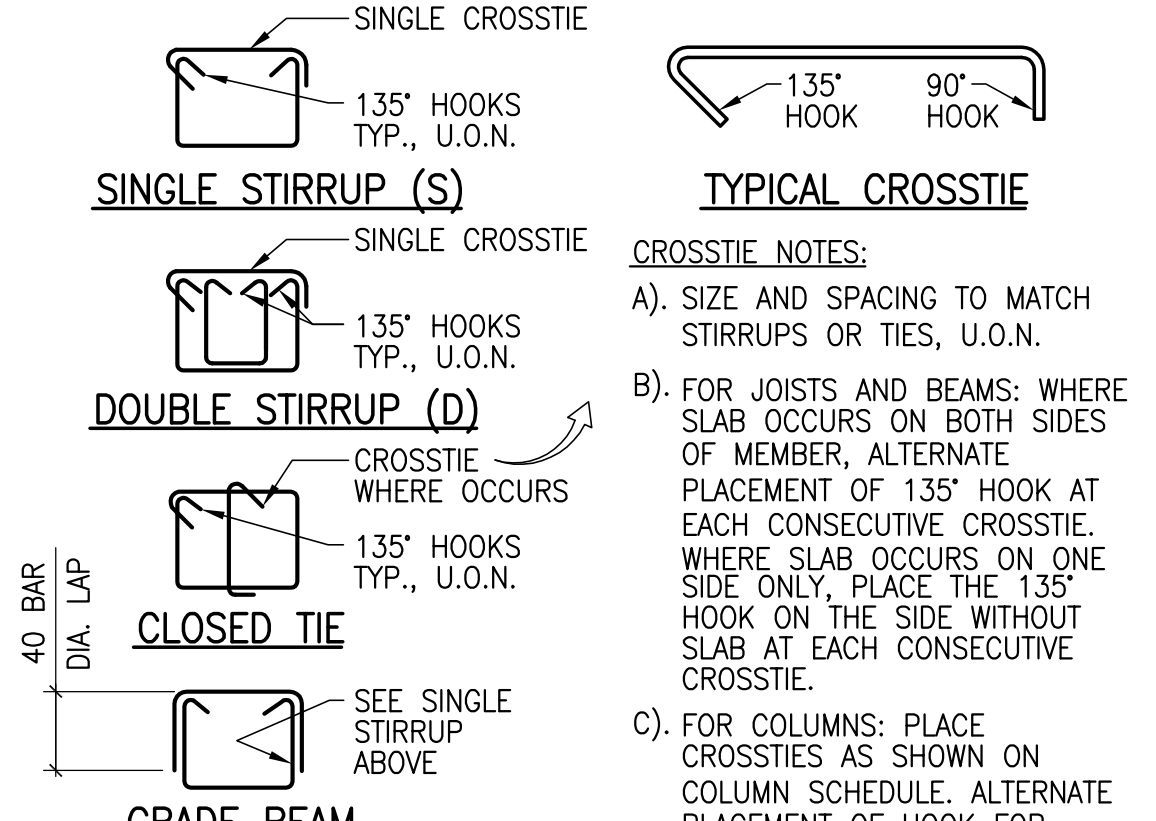
TYPICAL SLAB ON GRADE 16 S5.1



TYPICAL REINFORCING AT WALL AND SLAB PIPE SLEEVES 12 S5.1

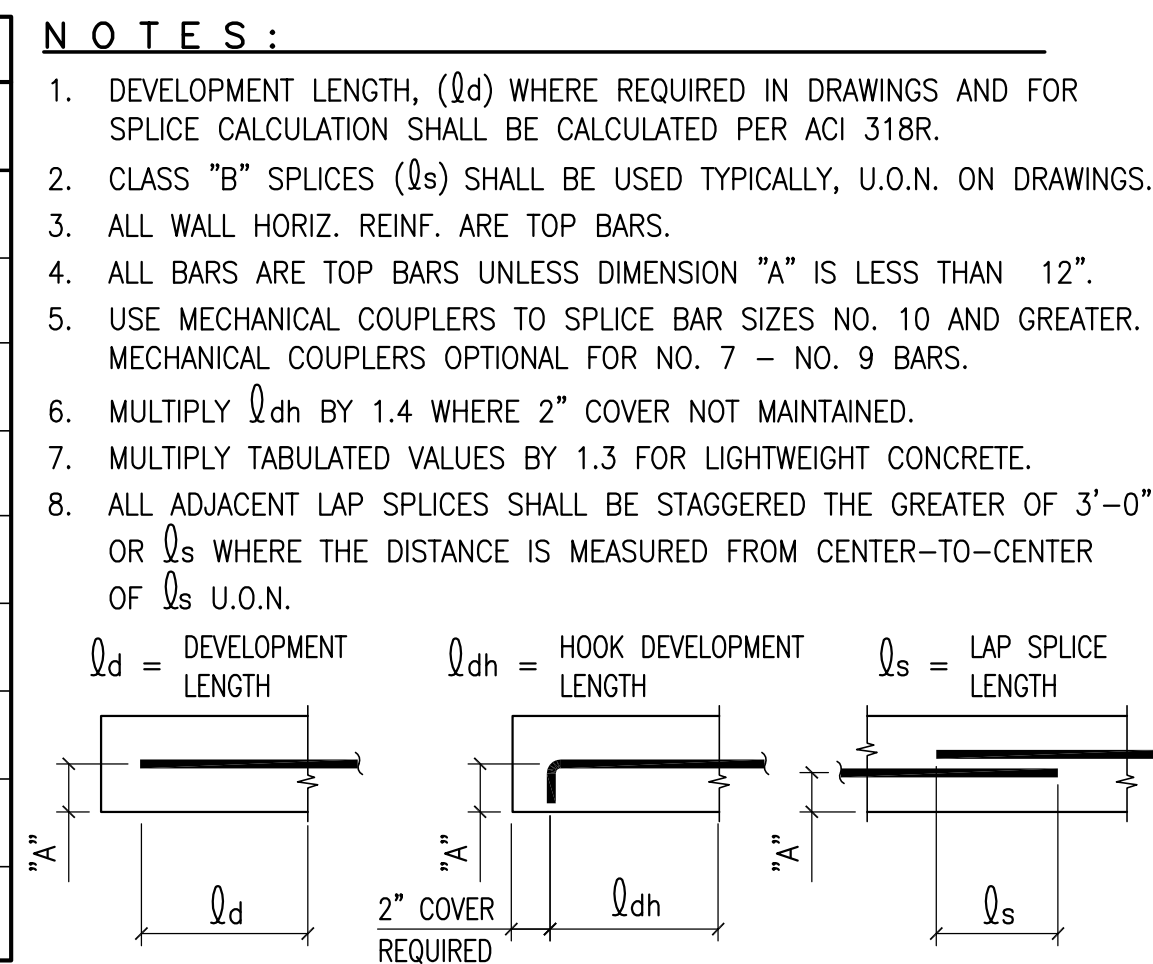
CONCRETE	3,000 PSI CONC.	4,000 PSI CONC.	5,000 PSI CONC.
BAR SIZE	POSITION	ℓ _{dh}	ℓ _s
4	TOP (NOTE 4)	11"	28"
	OTHER	28"	29"
5	TOP	14"	36"
	OTHER	28"	36"
6	TOP	17"	43"
	OTHER	33"	43"
7	TOP	19"	63"
	OTHER	48"	63"
8	TOP	22"	72"
	OTHER	55"	72"
9	TOP	25"	81"
	OTHER	62"	81"
10	TOP	28"	70"
	OTHER	70"	70"
11	TOP	31"	101"
	OTHER	67"	101"
14	TOP	37"	121"
	OTHER	93"	121"

TYPICAL REINFORCING BAR LAP LENGTH SCHEDULE AND NOTES 1 S5.1

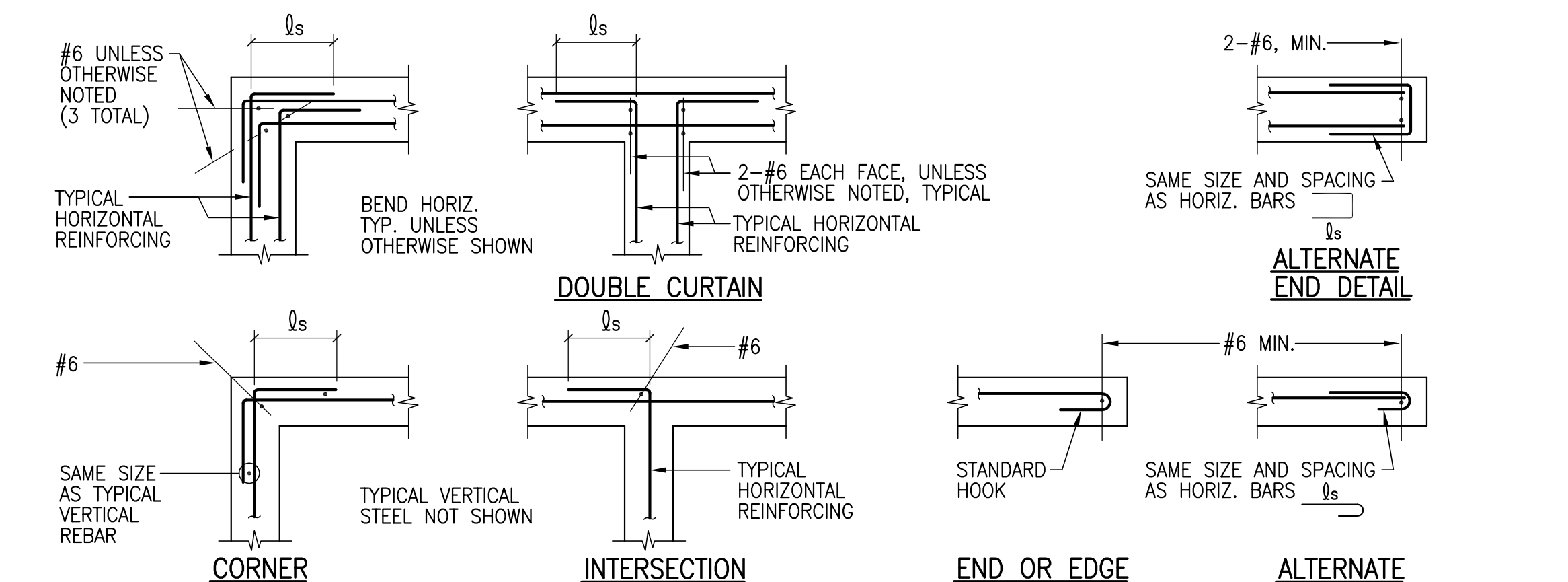


NOTES:
1. FOR SIZE & SPACING OF STIRRUPS SEE CONCRETE DETAILS.
2. FOR TYPICAL BAR HOOKS & BENDS, SEE TYPICAL BAR HOOKS AND BENDS' DETAIL.

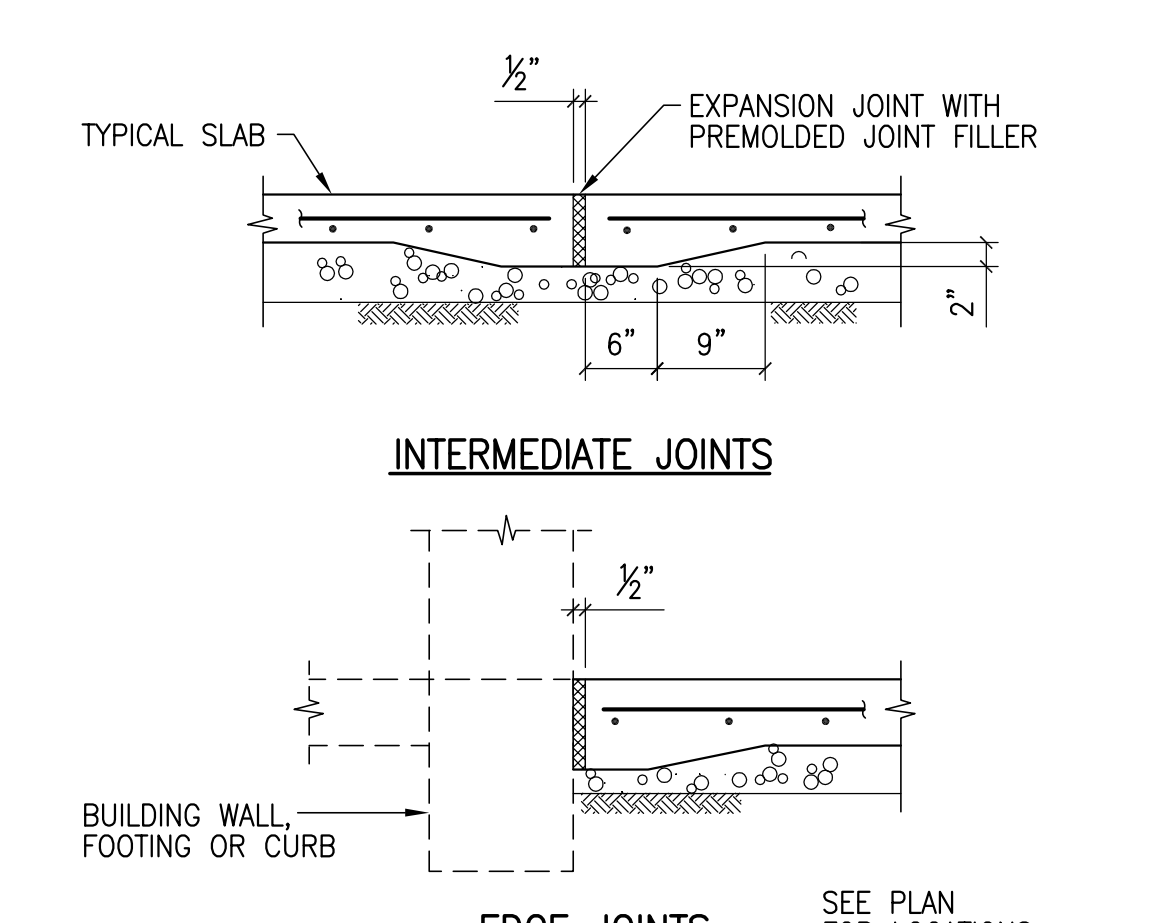
TYPICAL STIRRUPS AND TIES 6 S5.1



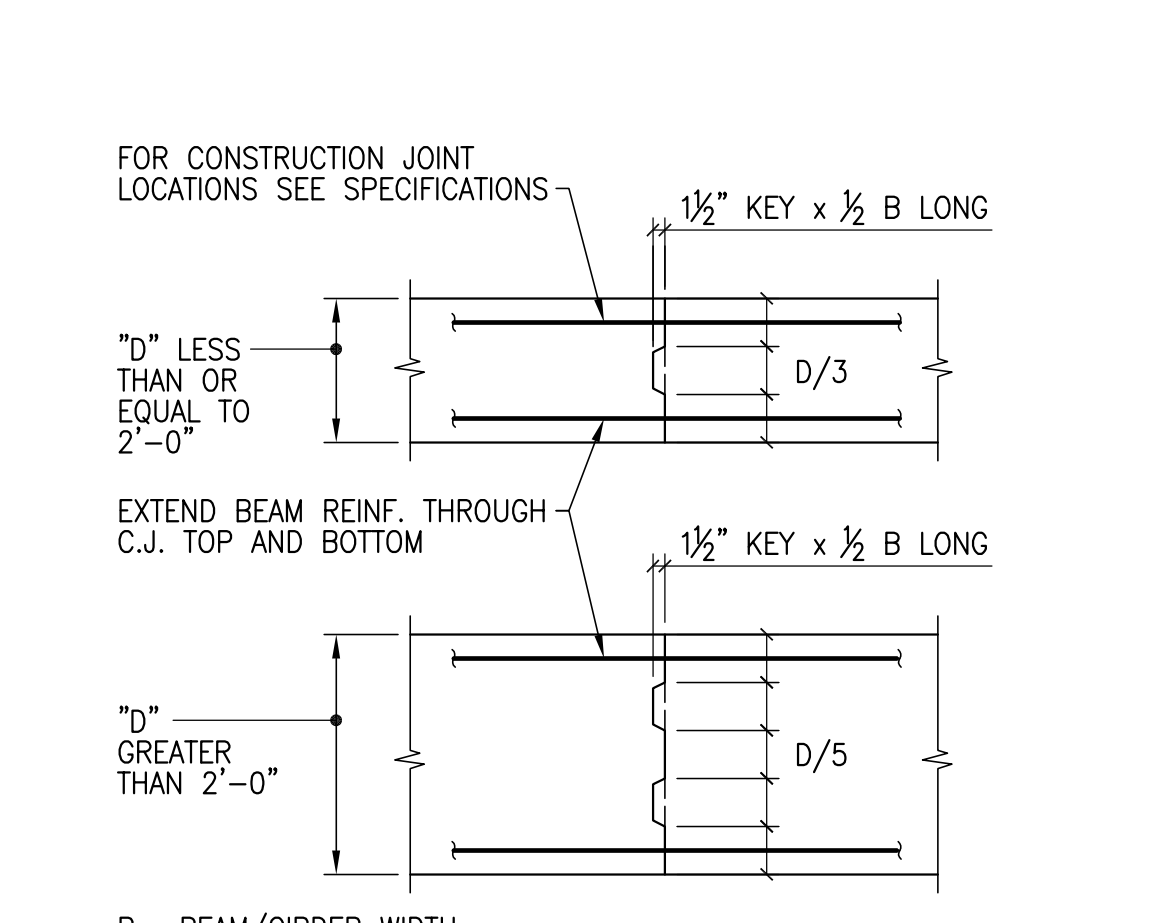
TYPICAL BAR HOOKS, BENDS AND OFFSET 2 S5.1



TYPICAL PLAN VIEWS OF CONCRETE WALLS AND FOOTINGS 3 S5.1



TYPICAL EXTERIOR PAVING SLAB ON GRADE EXPANSION JOINTS 8 S5.1



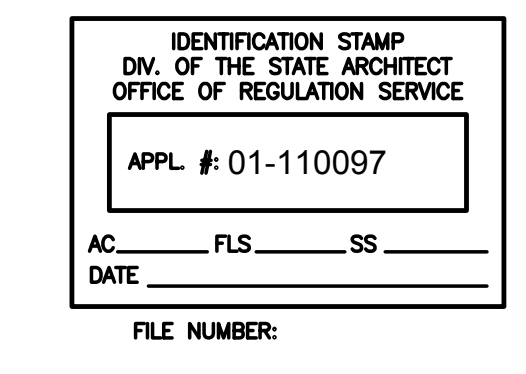
TYP. BEAM, GIRDER, MAT SLAB & GRADE BEAM CONSTRUCTION JOINTS 4 S5.1



McCarthy Building Companies, Inc.
343 Sansome Street, 14th Floor
San Francisco, California 94104
P 415 | 364-1339
F 415 | 397-5999



FORELLE/SELGESSER ENGINEERS, INC.
Structural Engineers
140 Pine Street - San Francisco, CA 94111
Phone: (415) 397-5700 Fax: (415) 837-0800
www.forelles.com Job No.: 06-091-004



This set of all project documents and all sheets, including and design incorporated herein are the property of U.K. Inc. (U.K.) and shall not be used, copied, reproduced, or any other project documents without the written consent of U.K. Inc. U.K. Inc. and its representatives make no representation concerning the quality of documents and are not responsible for any discrepancy between project documents and the existing conditions.

© Copyright 2008

College of San Mateo
Site Package
San Mateo, CA

Revision	Description	Date
01	ISSUED FOR PERMITS	09/15/08
02	ISSUED FOR PERMITS	09/04/09
03	ISSUED FOR PERMITS	09/04/09
04	ISSUED FOR PERMITS	09/04/09
05	ISSUED FOR PERMITS	09/04/09
06	ISSUED FOR PERMITS	09/04/09
07	ISSUED FOR PERMITS	09/04/09
08	ISSUED FOR PERMITS	09/04/09
09	ISSUED FOR PERMITS	09/04/09
10	ISSUED FOR PERMITS	09/04/09
11	ISSUED FOR PERMITS	09/04/09
12	ISSUED FOR PERMITS	09/04/09
13	ISSUED FOR PERMITS	09/04/09
14	ISSUED FOR PERMITS	09/04/09
15	ISSUED FOR PERMITS	09/04/09
16	ISSUED FOR PERMITS	09/04/09
17	ISSUED FOR PERMITS	09/04/09
18	ISSUED FOR PERMITS	09/04/09
19	ISSUED FOR PERMITS	09/04/09
20	ISSUED FOR PERMITS	09/04/09
21	ISSUED FOR PERMITS	09/04/09
22	ISSUED FOR PERMITS	09/04/09
23	ISSUED FOR PERMITS	09/04/09
24	ISSUED FOR PERMITS	09/04/09

Job No. 27082.30
Date 09 APRIL 2009
Drawn by MC
Checked by PR
Scale NO SCALE
B : BEAM/GIRDER WIDTH
D : BEAM/GIRDER DEPTH

POOL EQUIPMENT BLDG. & SITE CONSTRUCTION TYP. CONCRETE DETAILS

S5.1