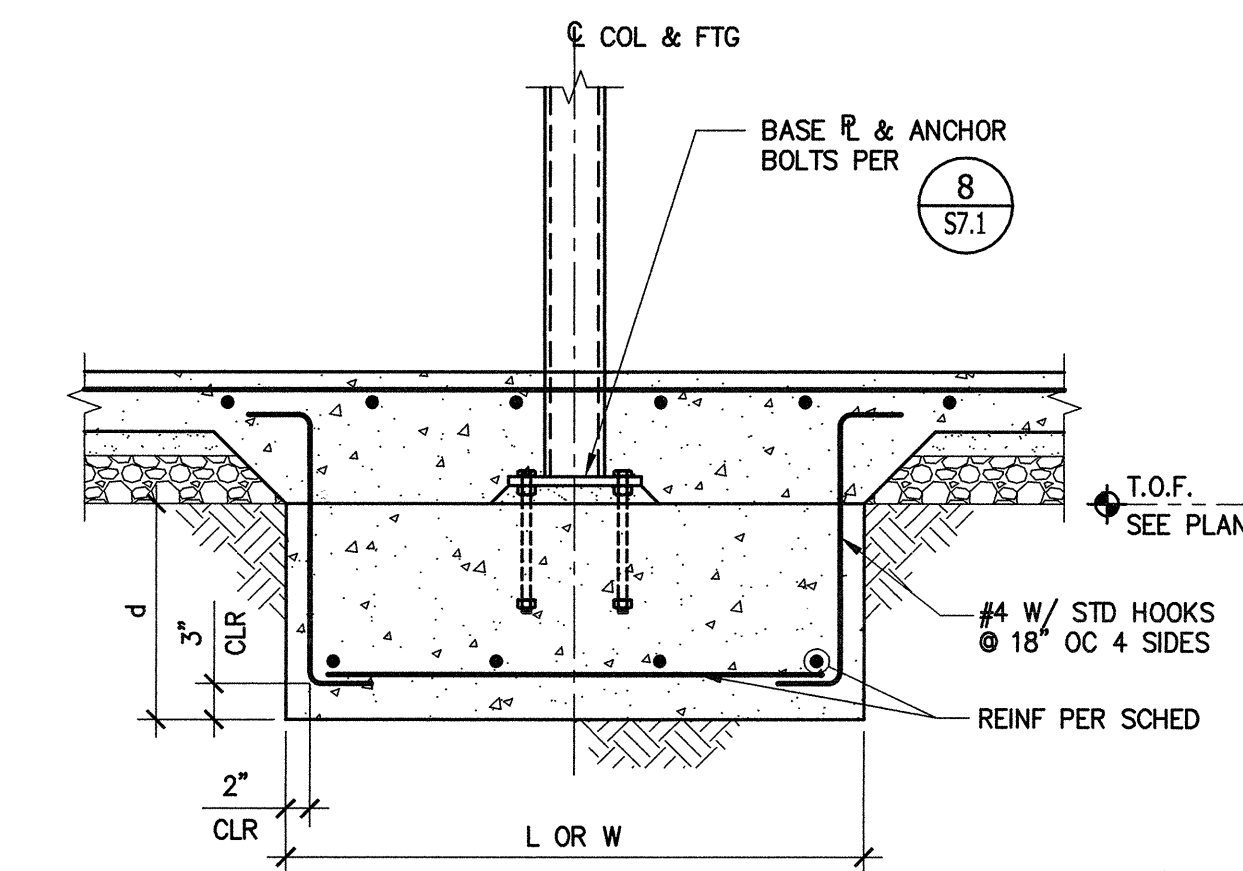


WALL FOOTING SCHEDULE				
TYPE	W	d	LONGITUDINAL REINF	TIES
WF-26	2'-6"	2'-0"	4-#5	-

5 WALL FOOTING SCHEDULE

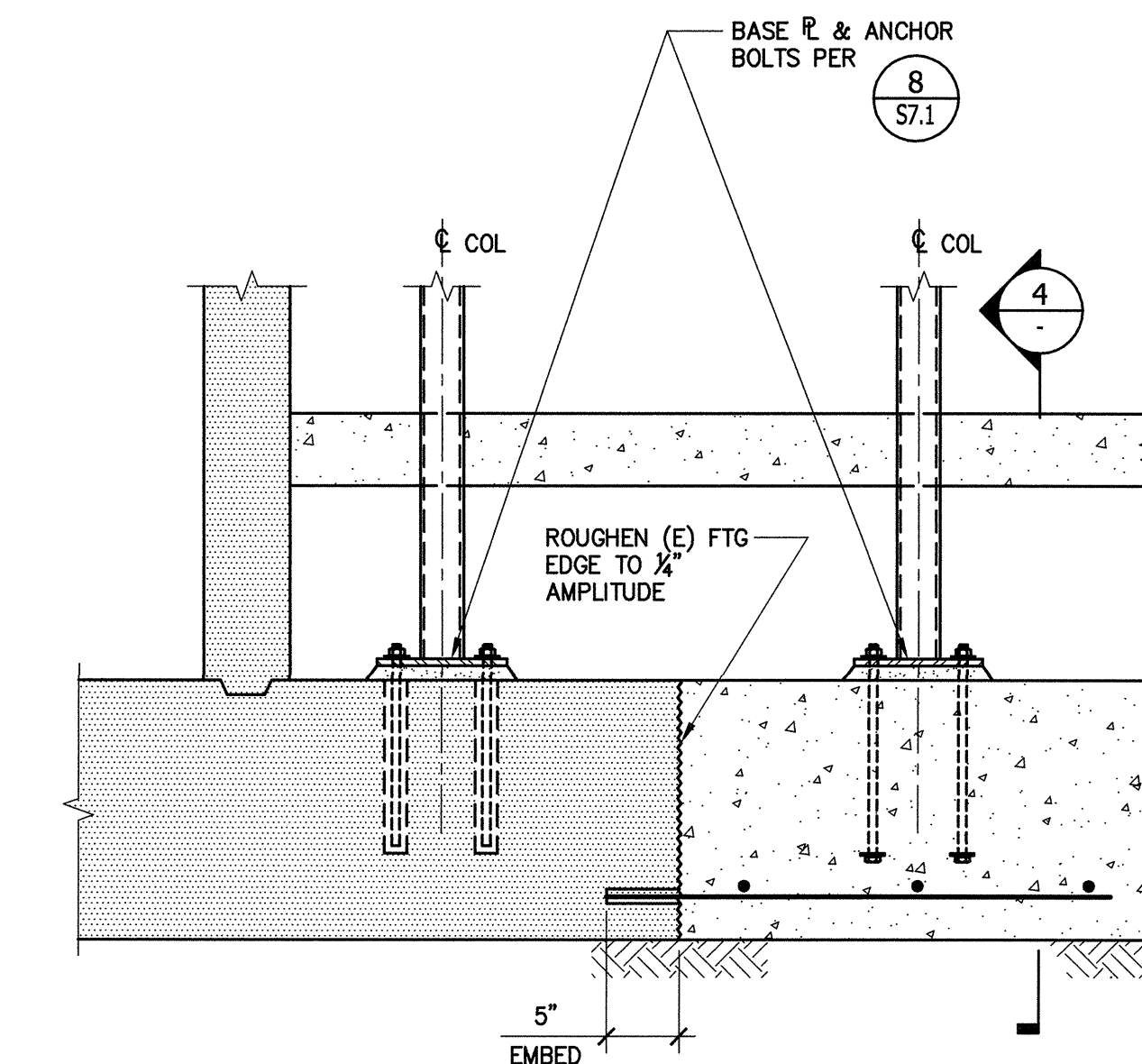
Scale: NTS

SPREAD FOOTING SCHEDULE			
TYPE	LxW	d	REINF
F3	3'-0"x3'-0"	1'-6"	4-#5 EW
F4	4'-0"x4'-0"	1'-6"	5-#6 EW



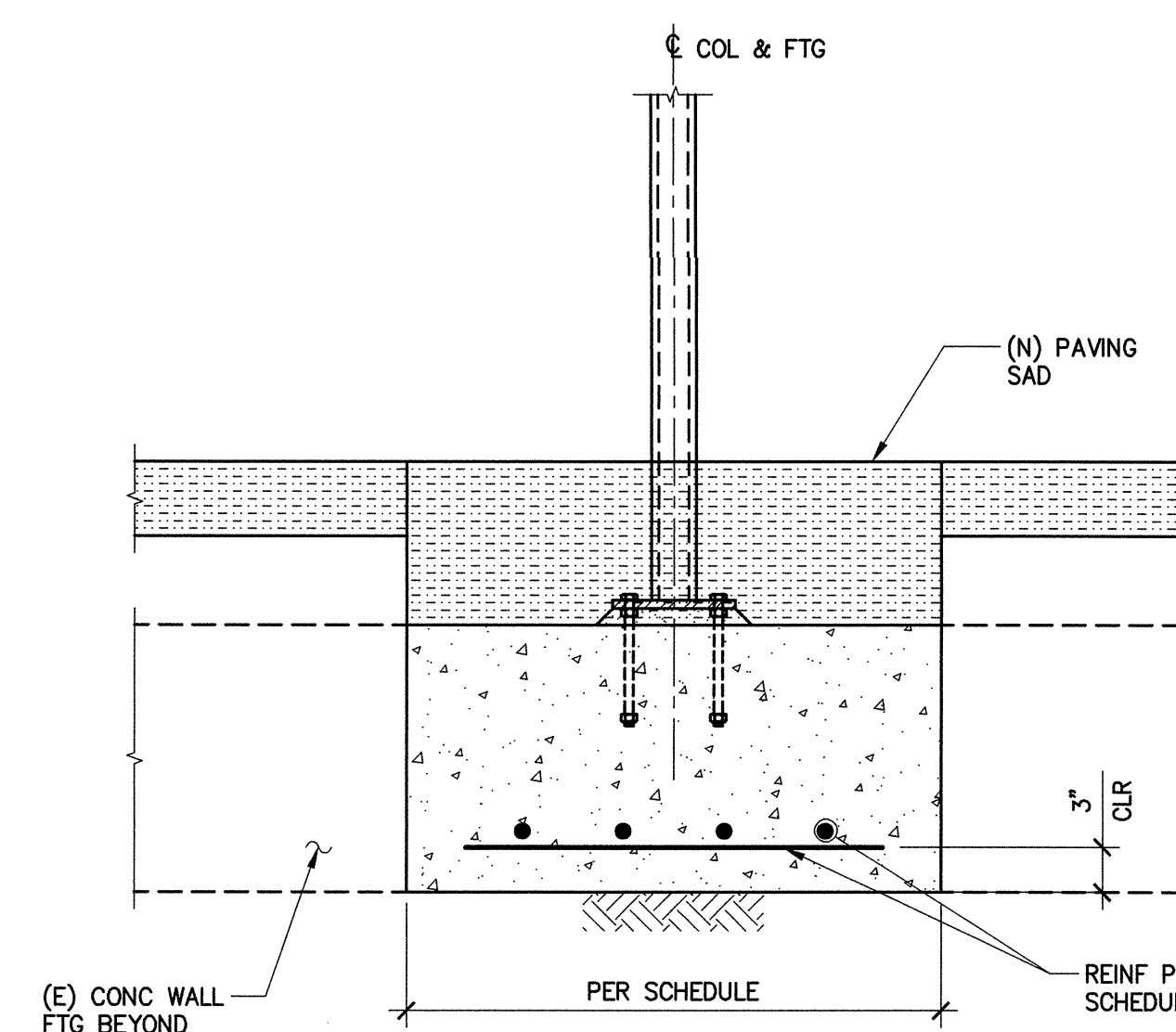
1 SPREAD FOOTING DETAIL & SCHEDULE

Scale: NTS



2 SECTION BLDG 16

Scale: 1"=1'-0"



4 SECTION BLDG 16

Scale: 1"=1'-0"

noll & tam
architects and planners

723 Heinz Avenue
Berkeley, CA 94716
510.649.8295
fax 510.649.3006

KPW
KILAND • PASSAGLIA • WESTPHAL
STRUCTURAL ENGINEERS, INC.

130 WEBSTER STREET
SUITE 200
OAKLAND, CA 94607
V. 510 208-3300
F. 510 208-3303
WWW.KPWSE.COM

IDENTIFICATION STAMP
DIVISION OF THE STATE ARCHITECT

APPLICATION NUMBER 01-111618
AC _____ PLG _____
DATE 2/9/11

CALIFORNIA STATE FIRE MARSHAL
APPROVED

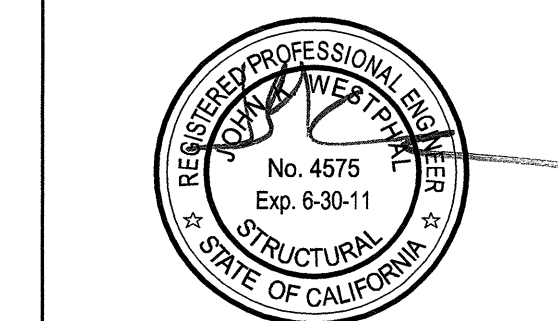
APPROVAL OF THIS PLAN DOES NOT AUTHORIZE OR APPROVE ANY
OMISSION OR DEVIATION FROM APPLICABLE REGULATIONS. FINAL
APPROVAL IS SUBJECT TO FIELD INSPECTION. ONE SET OF APPROVED
PLANS SHALL BE AVAILABLE ON THE PROJECT SITE AT ALL TIMES.

REVIEWED BY: _____ DATE: _____

CAÑADA COLLEGE

Electrical
Infrastructure
Replacement
Project

4200 Farm Hill Blvd
Redwood City, CA 94061



BID SET

SHEET TITLE
CONCRETE
DETAILS

REVISIONS

NO.	DATE	DESCRIPTION

DATE January 14, 2011

DRAWN PIL

CHECKED JKW

SCALE

JOB NO. 2921.01

SHEET NUMBER

S5.2