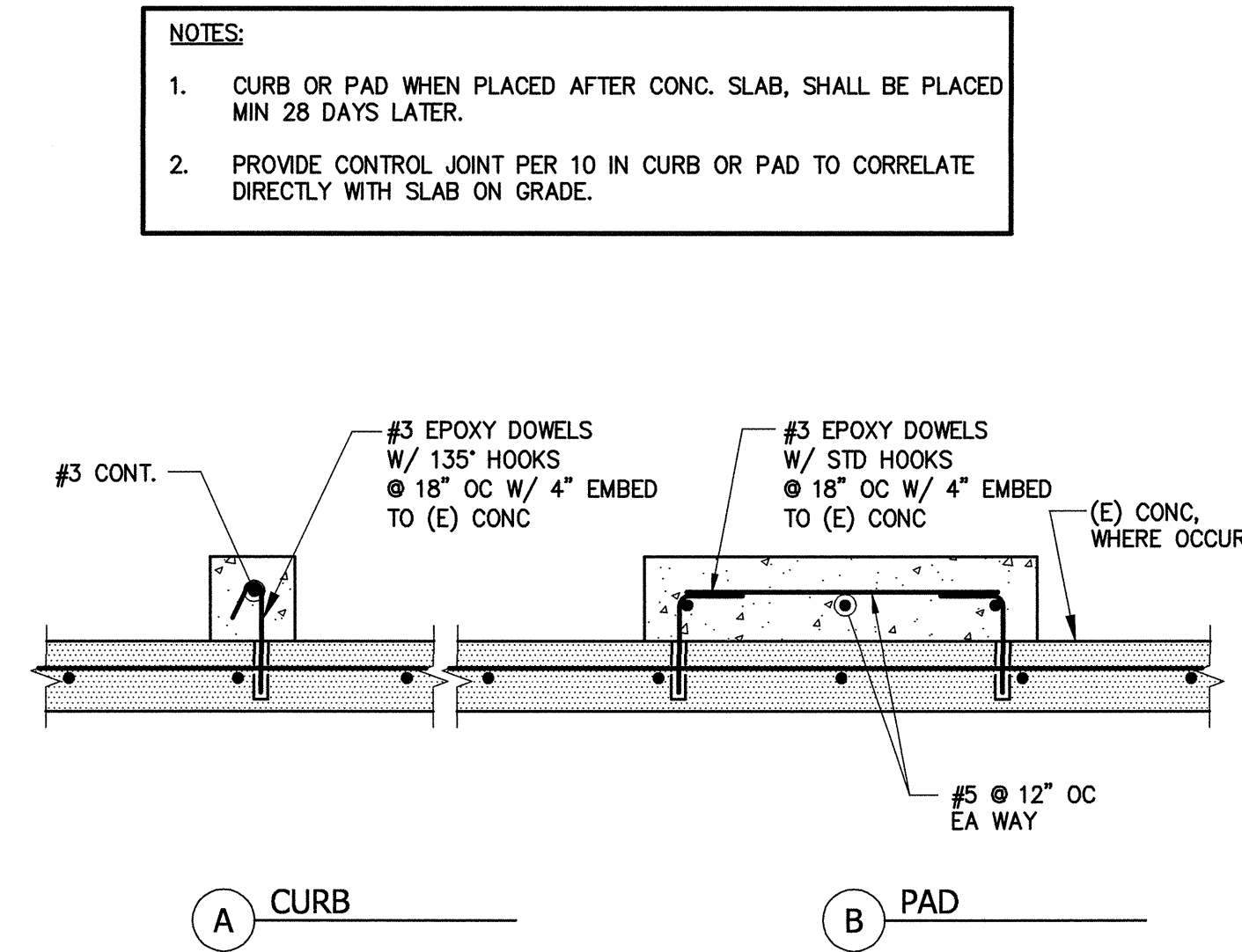
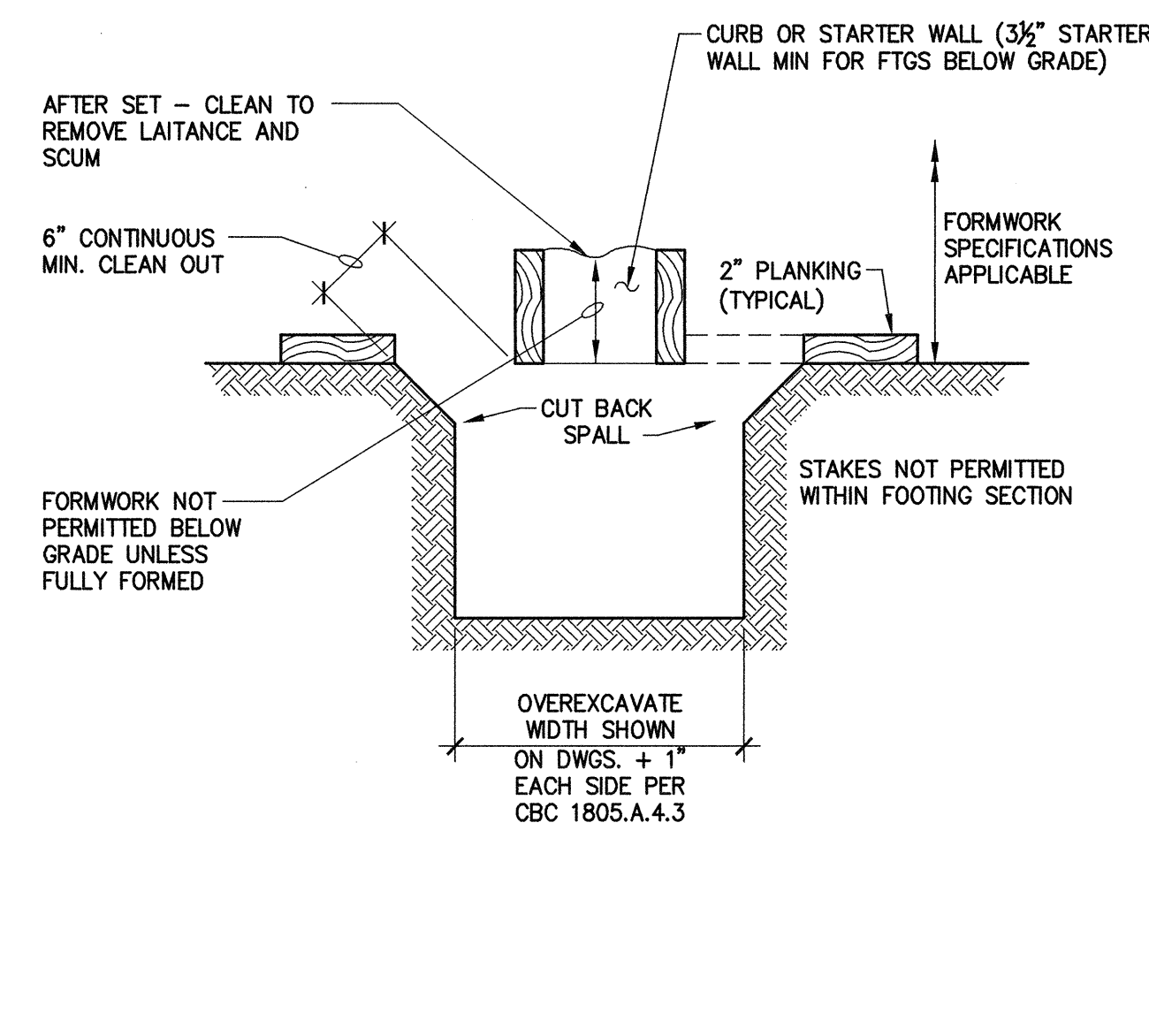


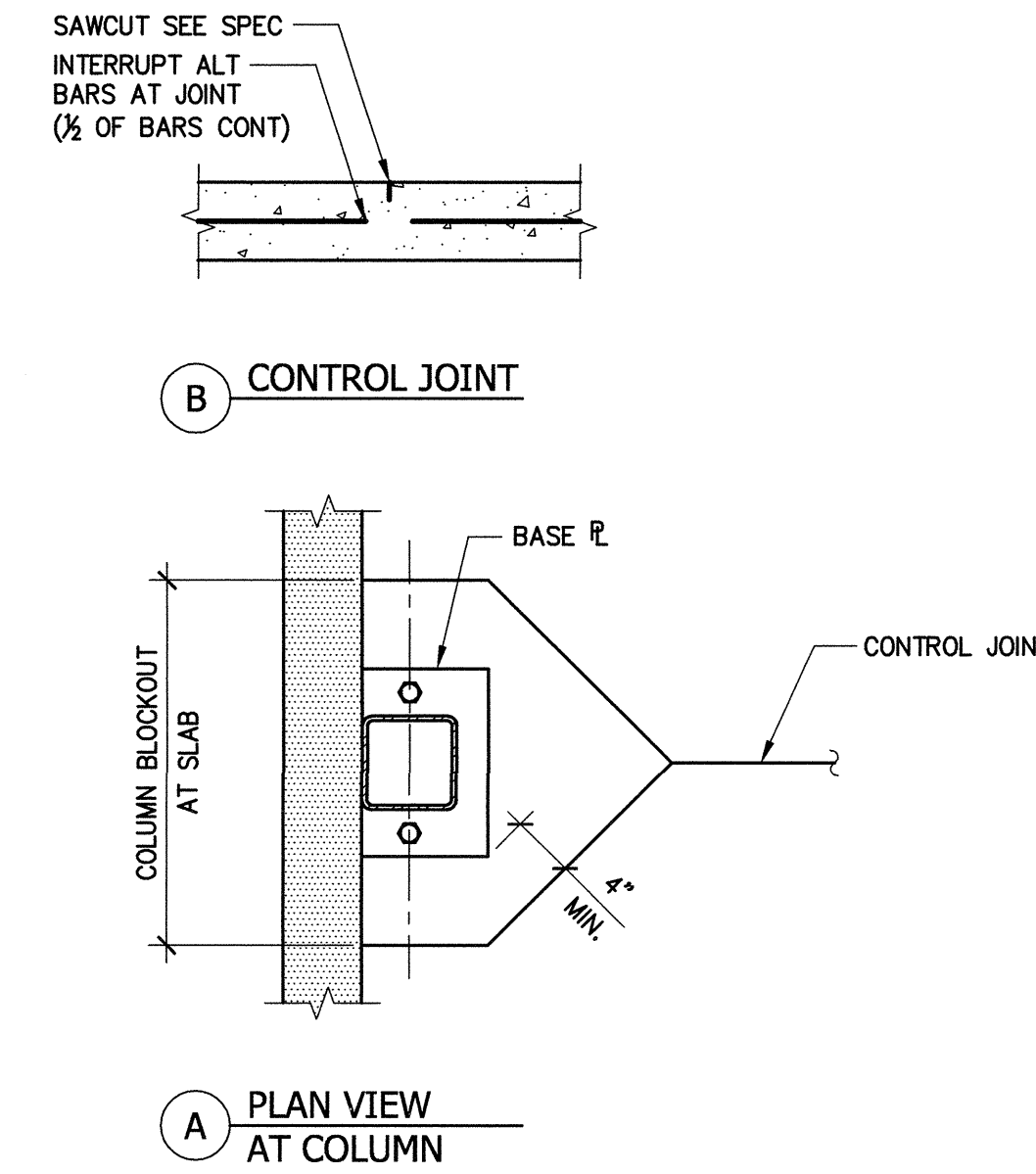
13 TYPICAL CURB AND PAD PLACED MONOLITHICALLY Scale: NTS



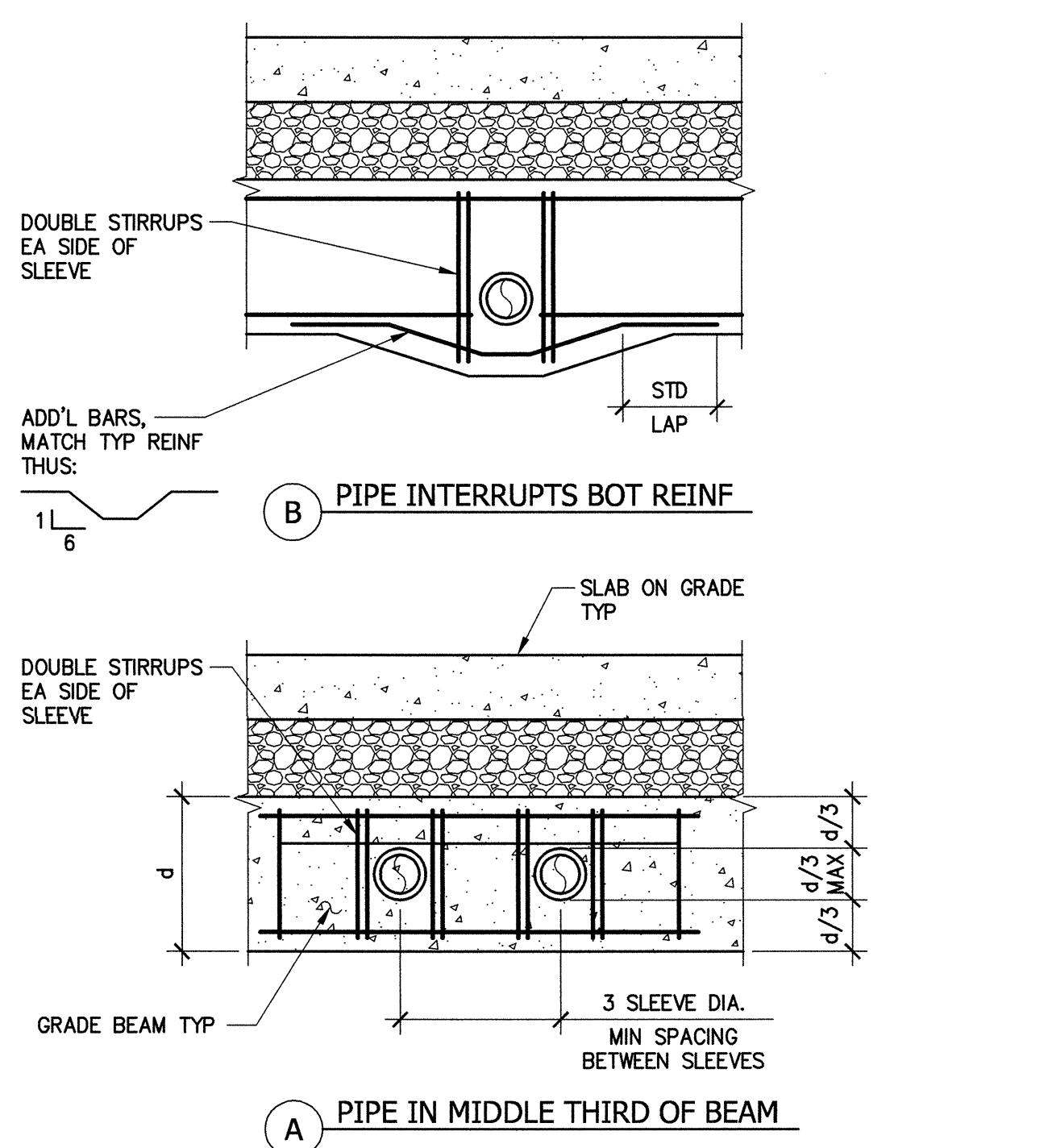
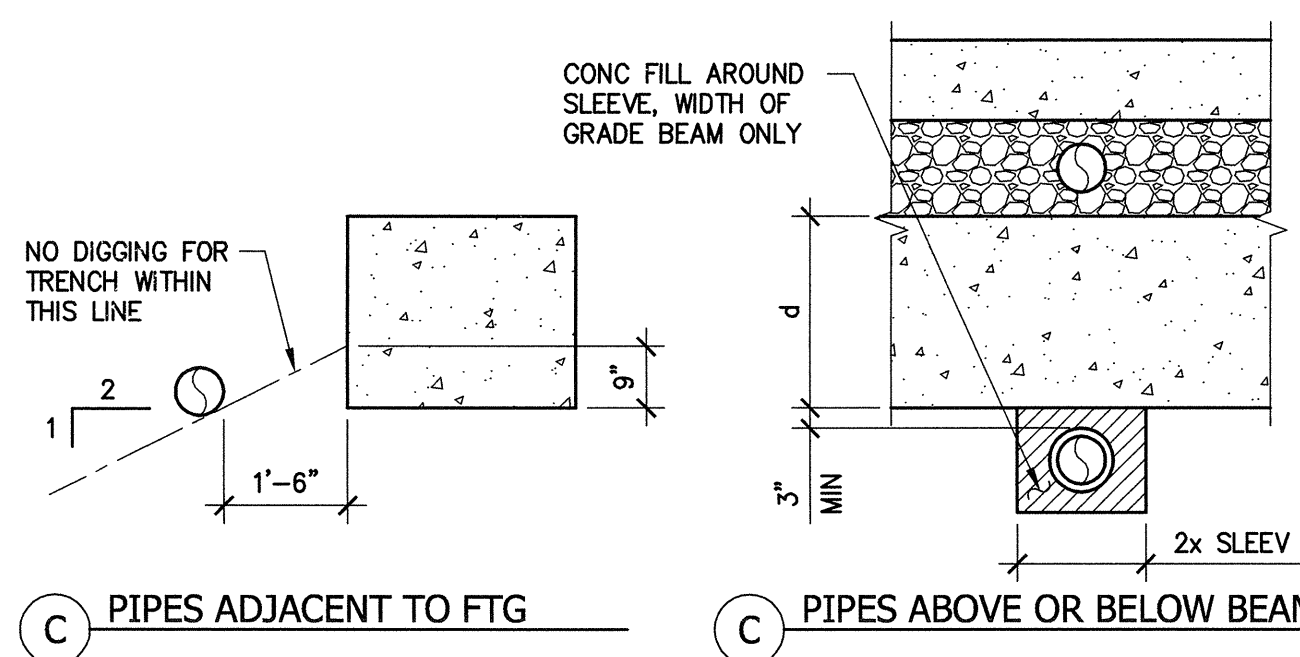
14 TYPICAL CURB AND PAD PRIOR TO SLAB PLACEMENT Scale: NTS



9 MANDATORY MINIMUM FORMWORK AND FOUNDATION EXCAVATION REQUIREMENTS Scale: NTS



10 SLAB-ON-GRADE CONTROL JOINT Scale: NTS

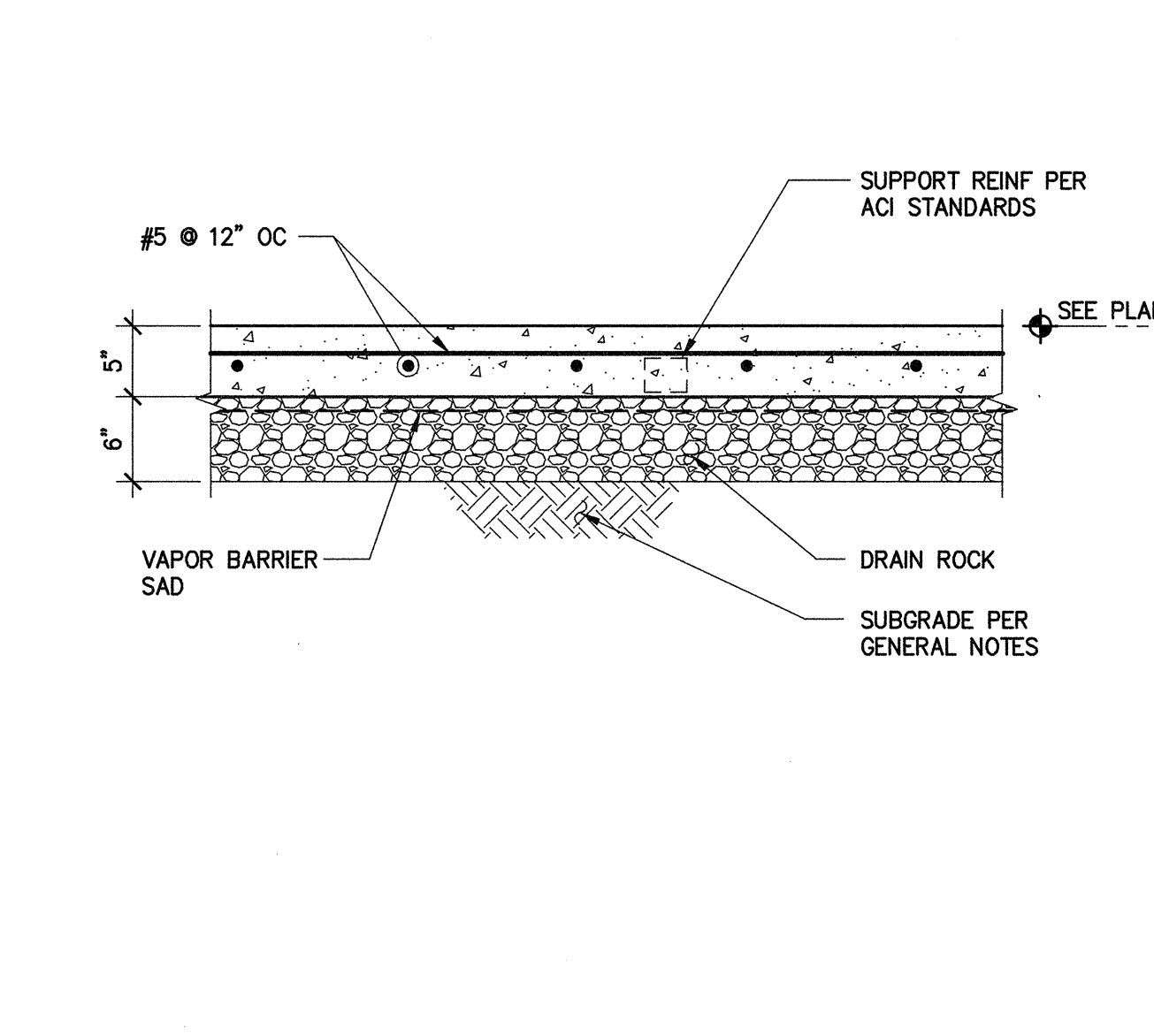


NOTES:

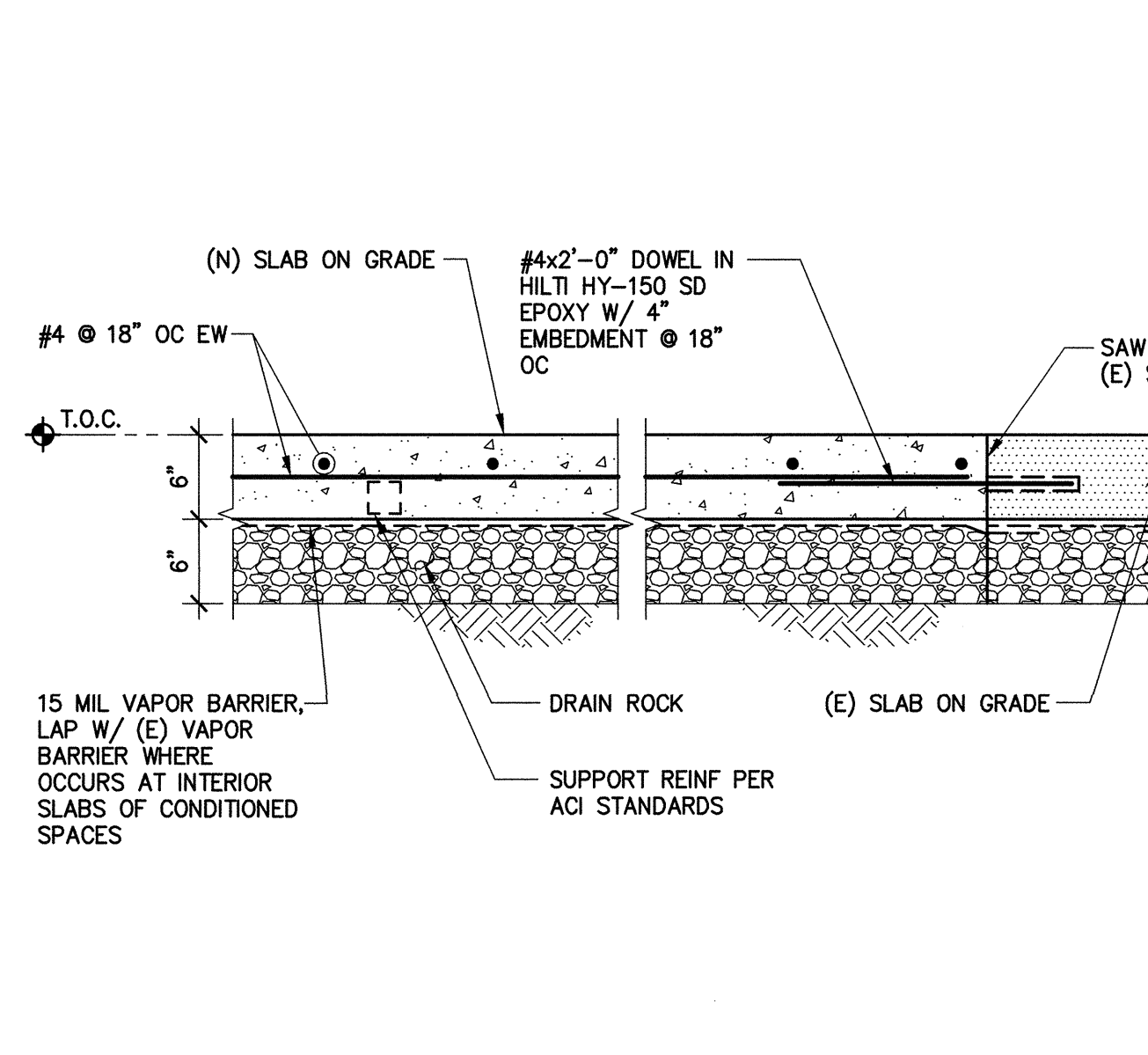
- DO NOT CUT OR INTERRUPT GRADE BEAM REINFORCING.
- MAXIMUM OUTER DIAMETER FOR SLEEVES IS d/3.
- FOR SIZE AND LOCATION OF PIPES S.P.D., S.E.D., S.A.D., S.M.D.
- LENGTH OF SLEEVE = WIDTH OF GRADE BEAM.
- FOR PIPES PARALLEL TO GRADE BEAM SEE DETAIL 12C.
- PIPES SHALL NOT BE PLACED LONGITUDINALLY INSIDE GRADE BEAM.

○ PIPE WITHOUT SLEEVE
 ○ PIPE WITH SCHEDULE 40 STEEL SLEEVE, 1\"/>

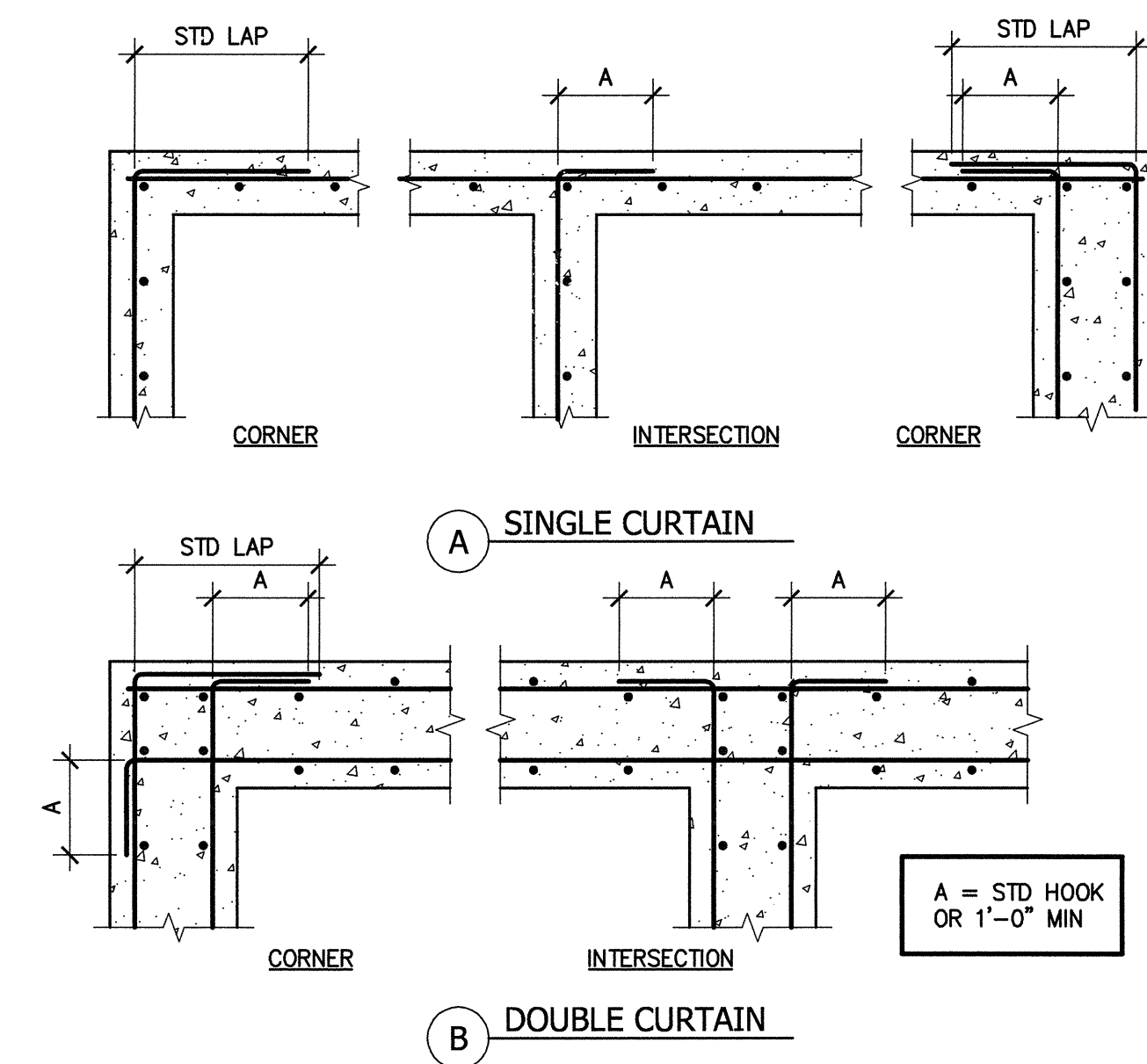
12 TYPICAL PIPE AND SLEEVE AT WALL FTG. Scale: NTS



5 TYPICAL SLAB ON GRADE Scale: 1\"/>



6 NEW SLAB ON GRADE AT EXISTING SLAB Scale: 1\"/>



7 TYP CONC FOOTING/WALL REINFORCING AT CORNERS AND INTERSECTIONS Scale: NTS

REBAR SIZE	MAIN REINFORCING			STIRRUPS & TIES		
	D	180° HOOK	90° HOOK	D	90° HOOK	135° HOOK
#3	2 1/4"	4"	6"	1 1/2"	3 3/4"	3"
#4	3"	4 1/2"	6"	2"	4 1/2"	3 1/2"
#5	3 3/4"	5"	10"	2 1/2"	5 1/4"	3 3/4"
#6	4 1/2"	6"	12"	3"	6"	4 1/2"
#7	5 1/4"	7"	14"	3 1/2"	7"	5 1/4"
#8	6"	8"	16"	4"	8"	6"
#9	6 3/4"	10 1/4"	19 1/2"			
#10	10 3/4"	11 1/2"	22"			
#11	12"	12 3/4"	24 1/2"			
#14	18 1/4"	17"	31 1/2"			

1 TYPICAL REBAR BENDS AND HOOKS Scale: NTS

CONCRETE STRENGTH CLASS OF LAP SPLICE	f'c = 3000 PSI				f'c = 4000 PSI			
	CLASS "A"	CLASS "B"	CLASS "A"	CLASS "B"	CLASS "A"	CLASS "B"	CLASS "A"	CLASS "B"
BAR CASE SIZE	BOTTOM BARS	TOP BARS	BOTTOM BARS	TOP BARS	BOTTOM BARS	TOP BARS	BOTTOM BARS	TOP BARS
#3	1'-4"	1'-9"	1'-9"	2'-4"	1'-2"	1'-6"	1'-6"	2'-0"
#4	1'-10"	2'-4"	2'-4"	3'-1"	1'-7"	2'-1"	2'-4"	3'-1"
#5	2'-1"	3'-0"	3'-0"	3'-10"	2'-0"	2'-7"	3'-0"	3'-10"
#6	2'-9"	3'-7"	3'-7"	4'-8"	2'-4"	3'-1"	3'-7"	4'-8"
#7	4'-0"	5'-2"	5'-2"	6'-9"	3'-6"	4'-6"	5'-2"	6'-9"
#8	4'-7"	5'-11"	5'-11"	7'-9"	3'-11"	5'-2"	5'-11"	7'-9"
#9	5'-2"	6'-10"	6'-10"	8'-8"	4'-5"	5'-9"	6'-8"	8'-8"
#10	5'-8"	7'-11"	7'-11"	9'-8"	4'-11"	6'-5"	7'-5"	9'-8"
#11	6'-3"	8'-2"	8'-2"	10'-7"	5'-5"	7'-1"	8'-2"	10'-7"

NOTES:

- USE THE CLASS B LAP SPLICE LENGTHS, MULTIPLIED BY THE APPLICABLE FACTOR(S) LISTED BELOW UNLESS OTHERWISE NOTED.
- WHERE THE CLEAR SPACING OF BARS BEING SPLICED IS LESS THAN 2 BAR DIAMETERS, INCREASE THE LAP BY 50%.
- WHERE THE BAR COVER IS LESS THAN OR EQUAL TO THE BAR DIAMETER, INCREASE THE LAP LENGTH BY 50%.
- CLASS A SPLICES MAY ONLY BE USED WHERE NOTED ON THE DRAWINGS.
- TOP BARS ARE ALL HORIZONTAL BARS WITH MORE THAN 12 INCHES OF CONCRETE CAST BELOW THE BARS.
- LAP SPLICE LENGTHS IN TABLE ARE FOR NORMAL WEIGHT CONCRETE. WHERE LIGHTWEIGHT CONCRETE IS USED, INCREASE LAP SPLICE LENGTHS BY 30%.
- SPLICES OF HORIZONTAL REINFORCEMENT IN WALLS SHALL BE STAGGERED.
- SPLICES OF HORIZONTAL REINFORCEMENT IN WALLS CONTAINING TWO CURTAINS OF REINFORCEMENT SHALL NOT OCCUR IN THE SAME LOCATION.

2 LAP SPLICE LENGTHS AND DEVELOPMENT Scale: NTS



4 TYPICAL CONSTRUCTION JOINT AT GRADE BEAM/CONTINUOUS FOOTING Scale: NTS

noll & tam
 architects and planners

729 Heinz Avenue
 Berkeley, CA 94716
 510.549.8295
 fax 510.649.3008

KPW
 KILAND • PASSAGLIA • WESTPHAL
 STRUCTURAL ENGINEERS, INC.

130 WEBSTER STREET
 SUITE 200
 OAKLAND, CA 94607
 v. 510 208-3300
 f. 510 208-3303
 www.kpwse.com

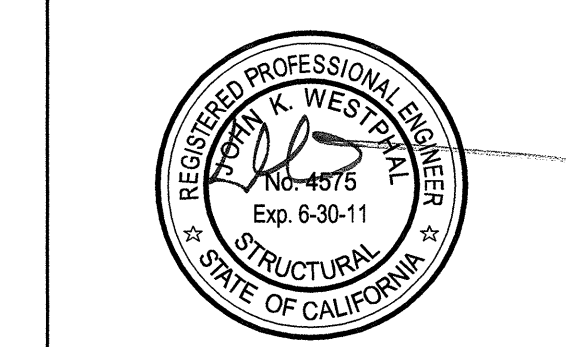
IDENTIFICATION STAMP
 DIVISION OF THE STATE ARCHITECT

APPLICATION NUMBER 01-111618
 AC: [Signature]
 DATE 2/9/11

CALIFORNIA STATE FIRE MARSHAL
 APPROVED

CAÑADA COLLEGE
 Electrical Infrastructure Replacement Project

4200 Farm Hill Blvd
 Redwood City, CA 94061



BID SET

SHEET TITLE
TYPICAL CONCRETE DETAILS

REVISIONS	
NO.	DESCRIPTION

DATE: January 14, 2011
 DRAWN: PIL
 CHECKED: JKW
 SCALE:
 JOB NO.: 2921.01
 SHEET NUMBER

S5.1

L:\CAD Files\Projects\2010 Projects\100110\Struct\100110-S5.1.dwg Jan 25, 2011 4:02pm Kristy