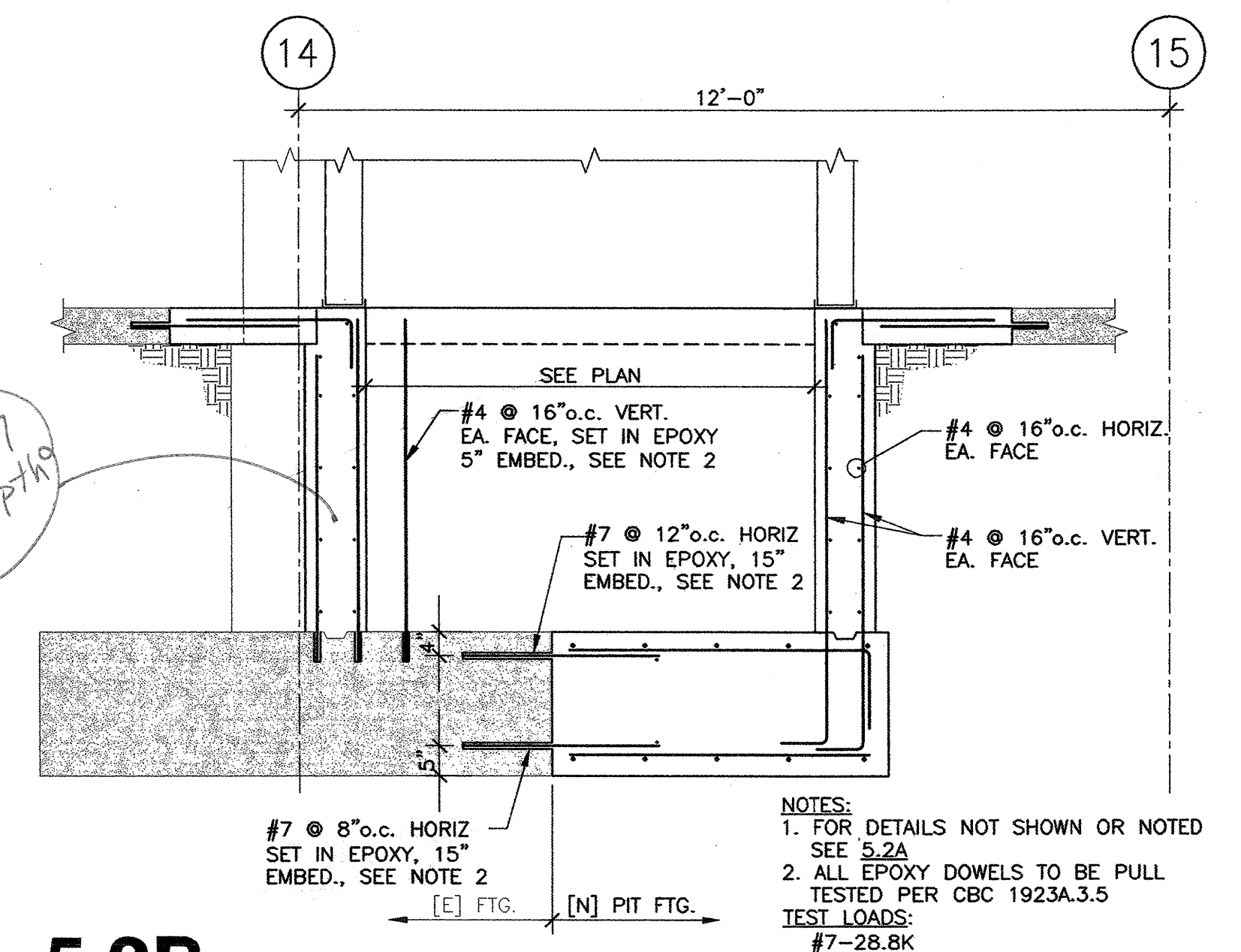
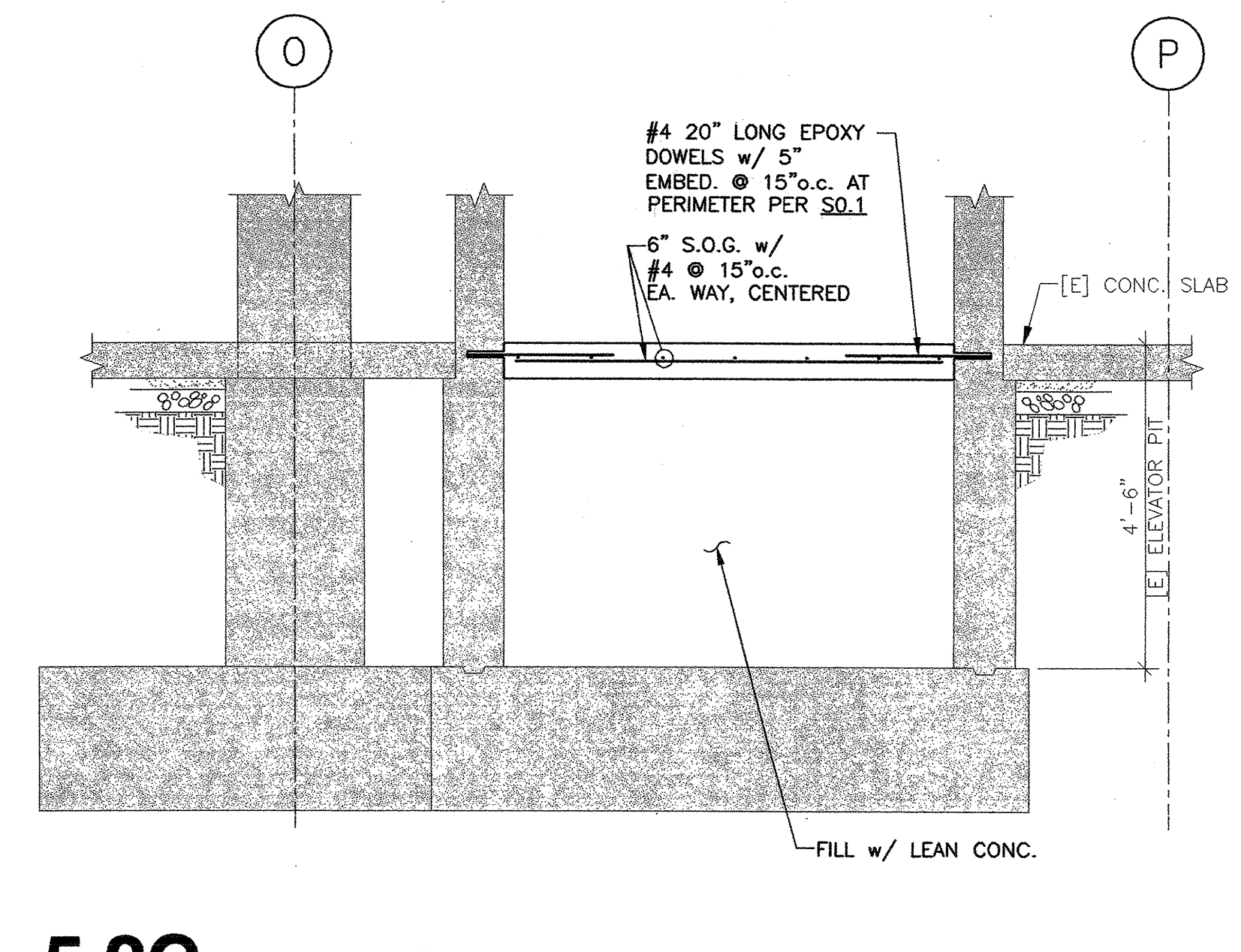


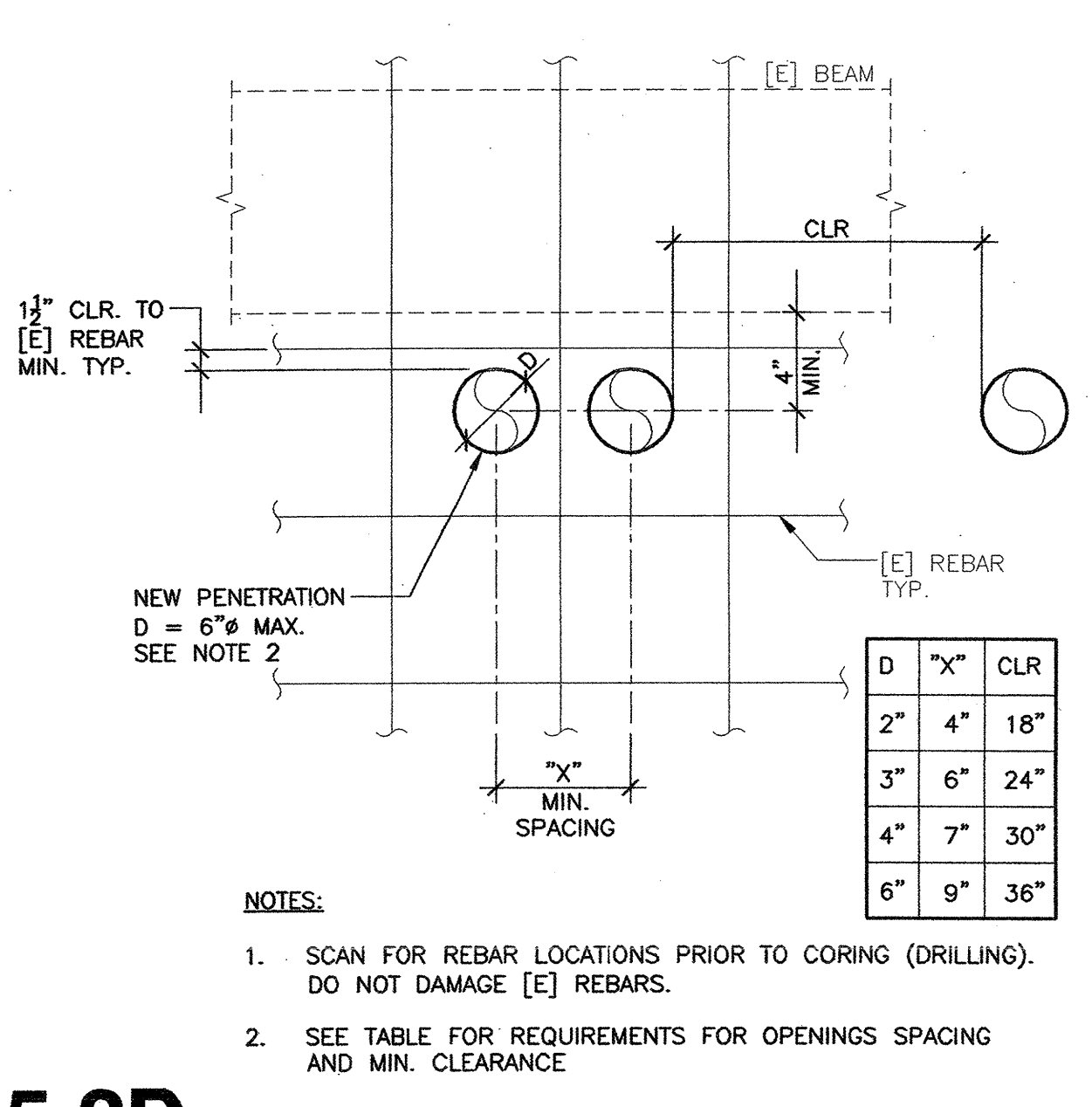
5.2A SECTION 1/2"=1'-0" M703552A



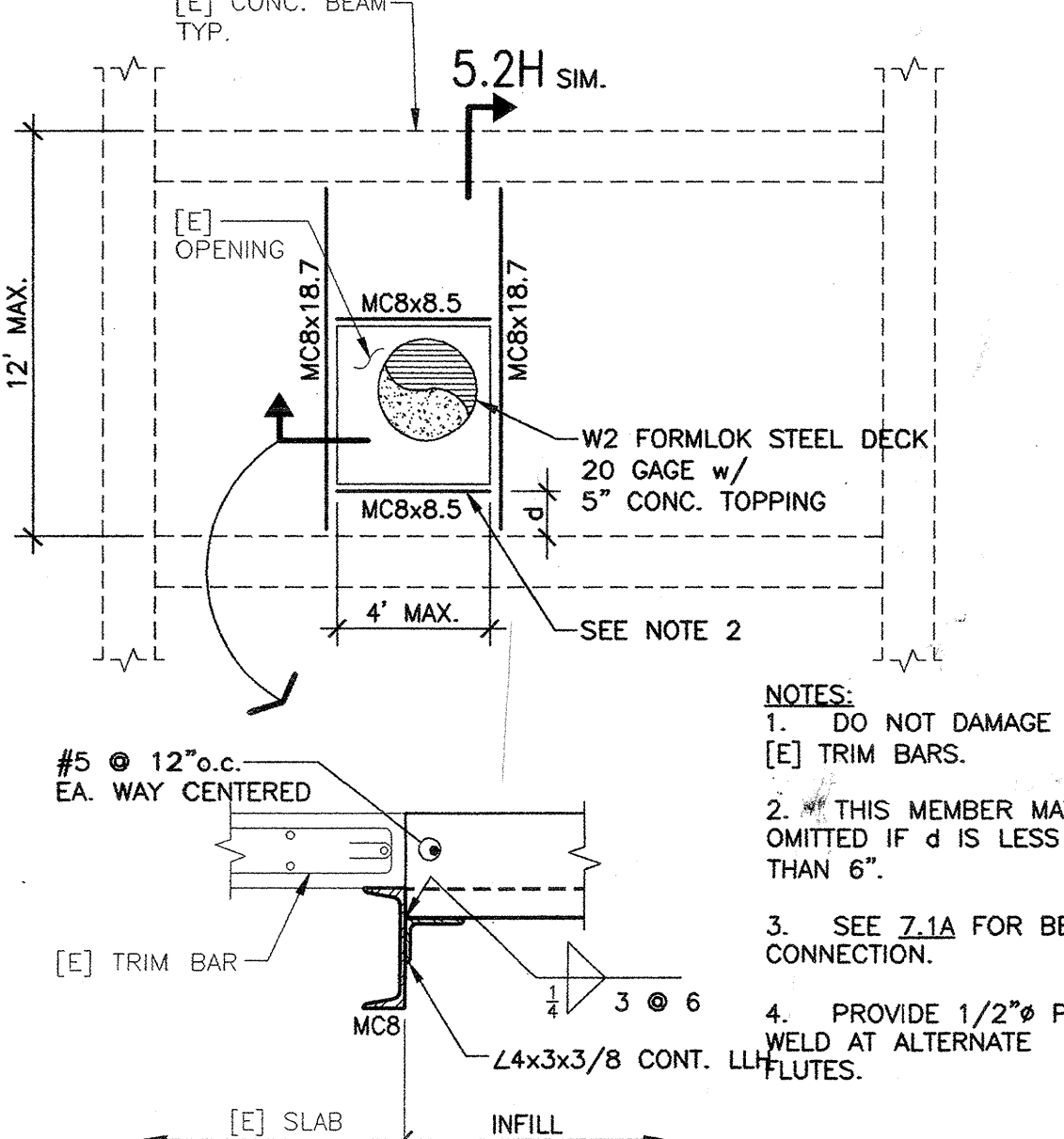
5.2B SECTION 1/2"=1'-0" M703552B



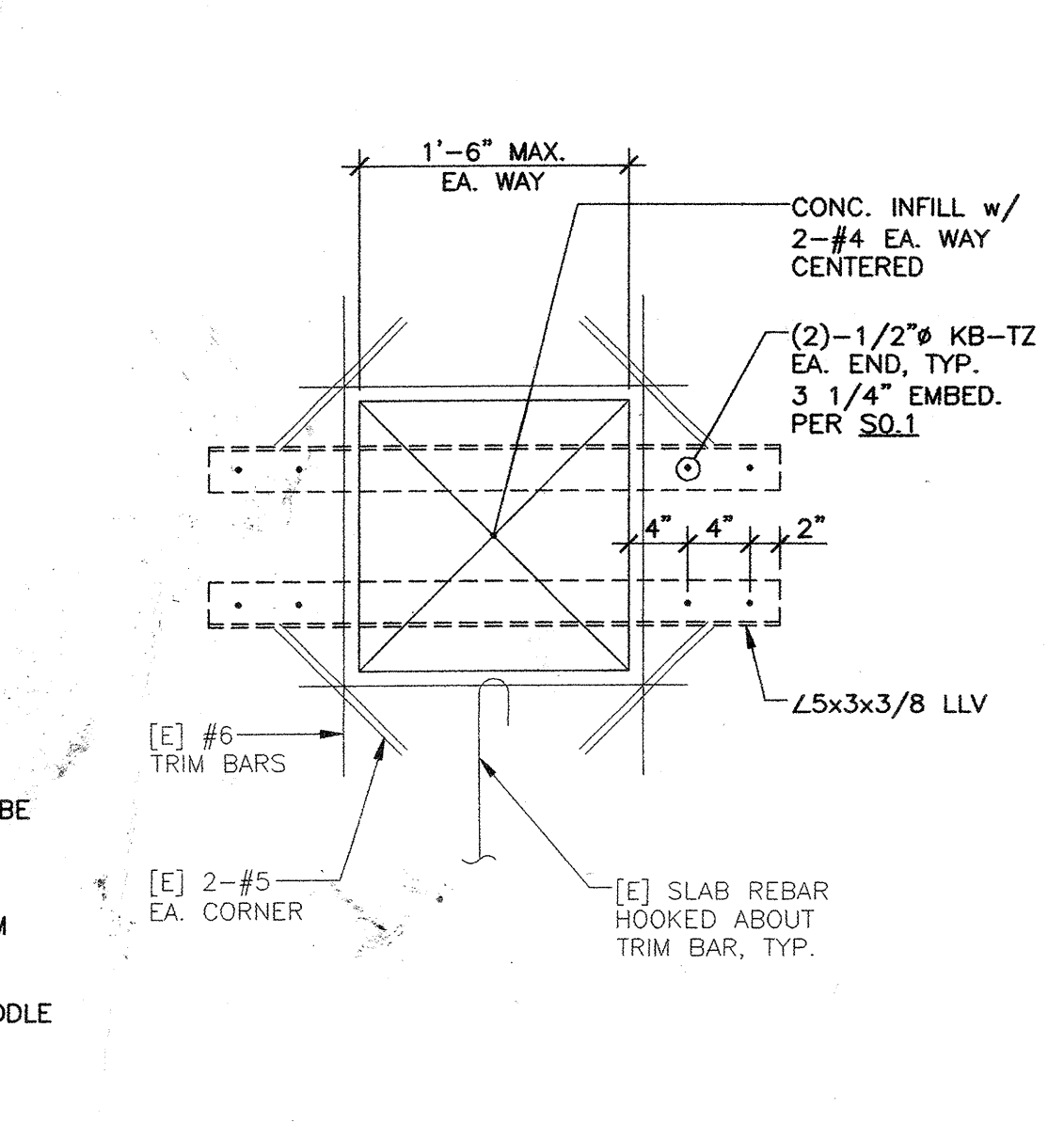
5.2C EXISTING ELEVATOR PIT INFILL 1/2"=1'-0" M703552C



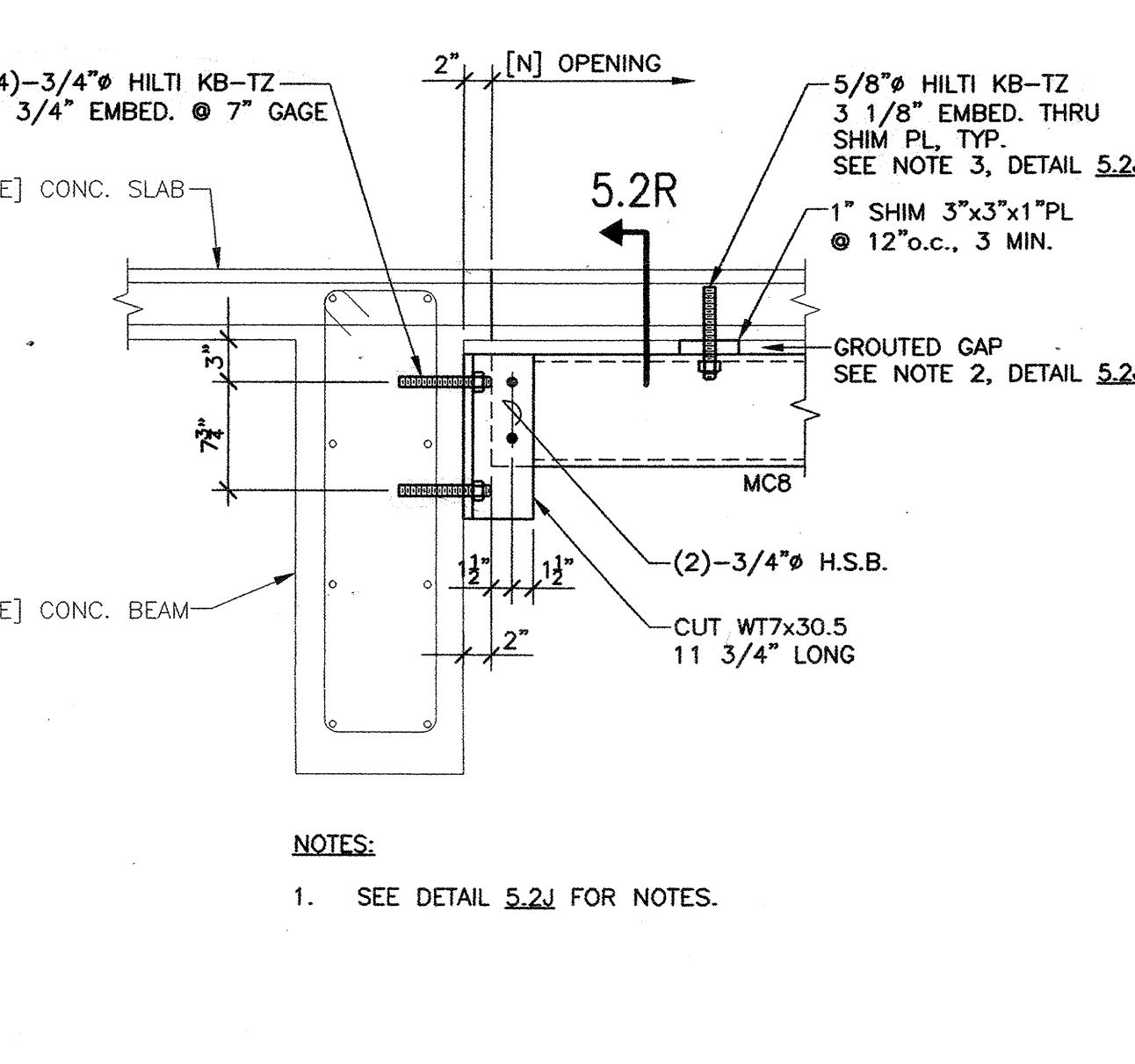
5.2D NEW PENETRATIONS (SMALL) M703552D



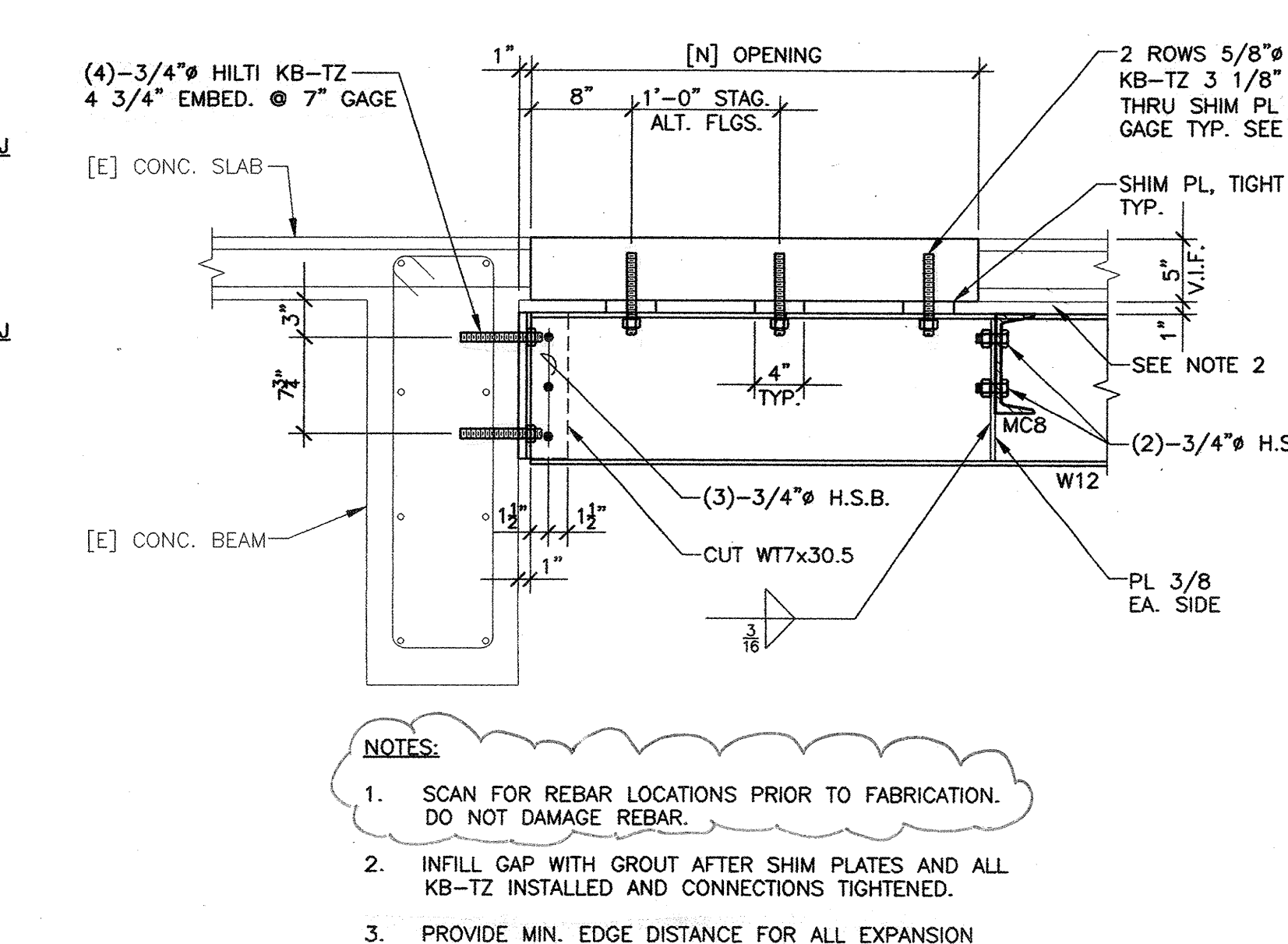
5.2F EXISTING MEDIUM OPENINGS INFILL M703552F



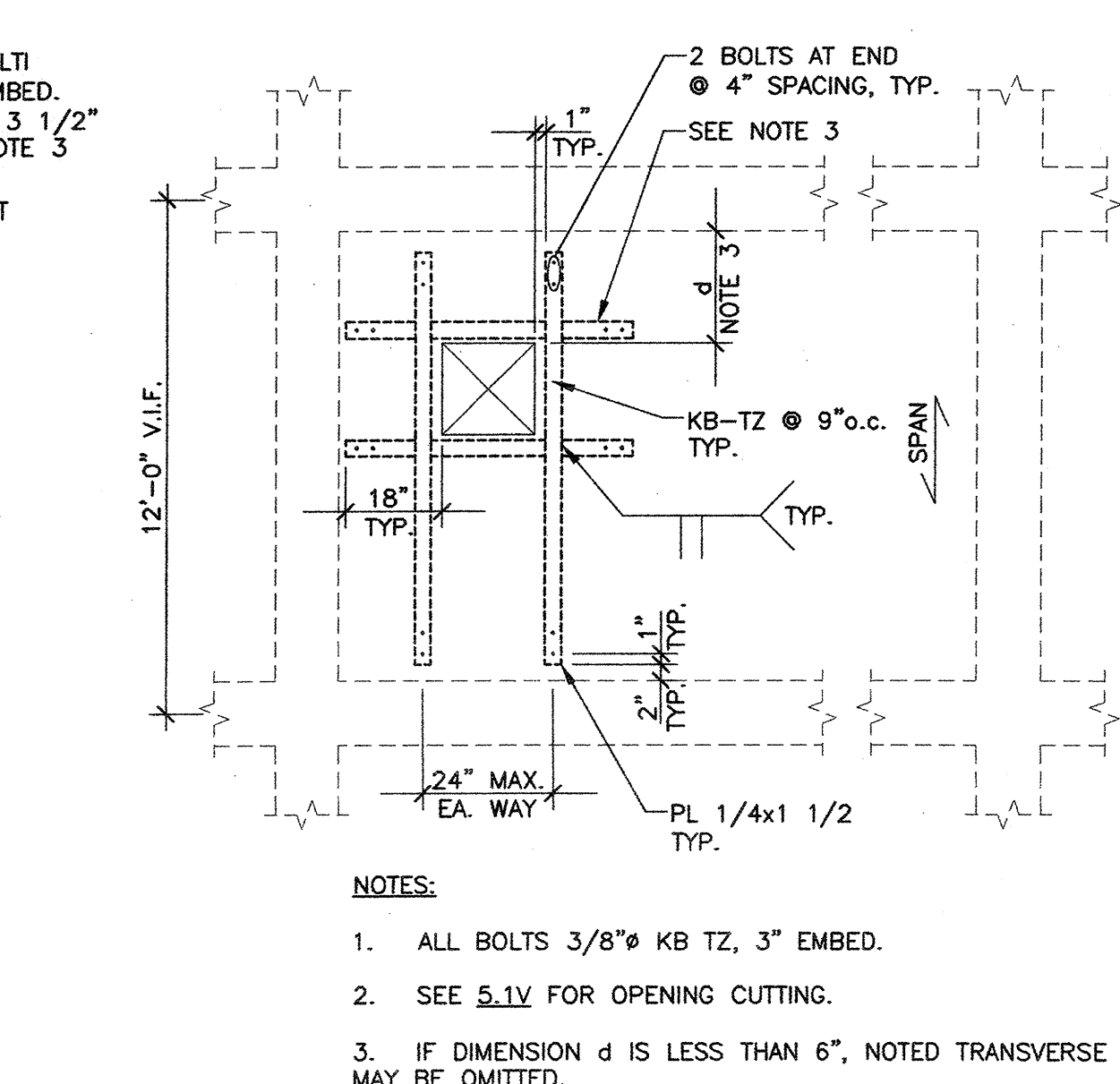
5.2G EXISTING SMALL OPENINGS INFILL M703552G



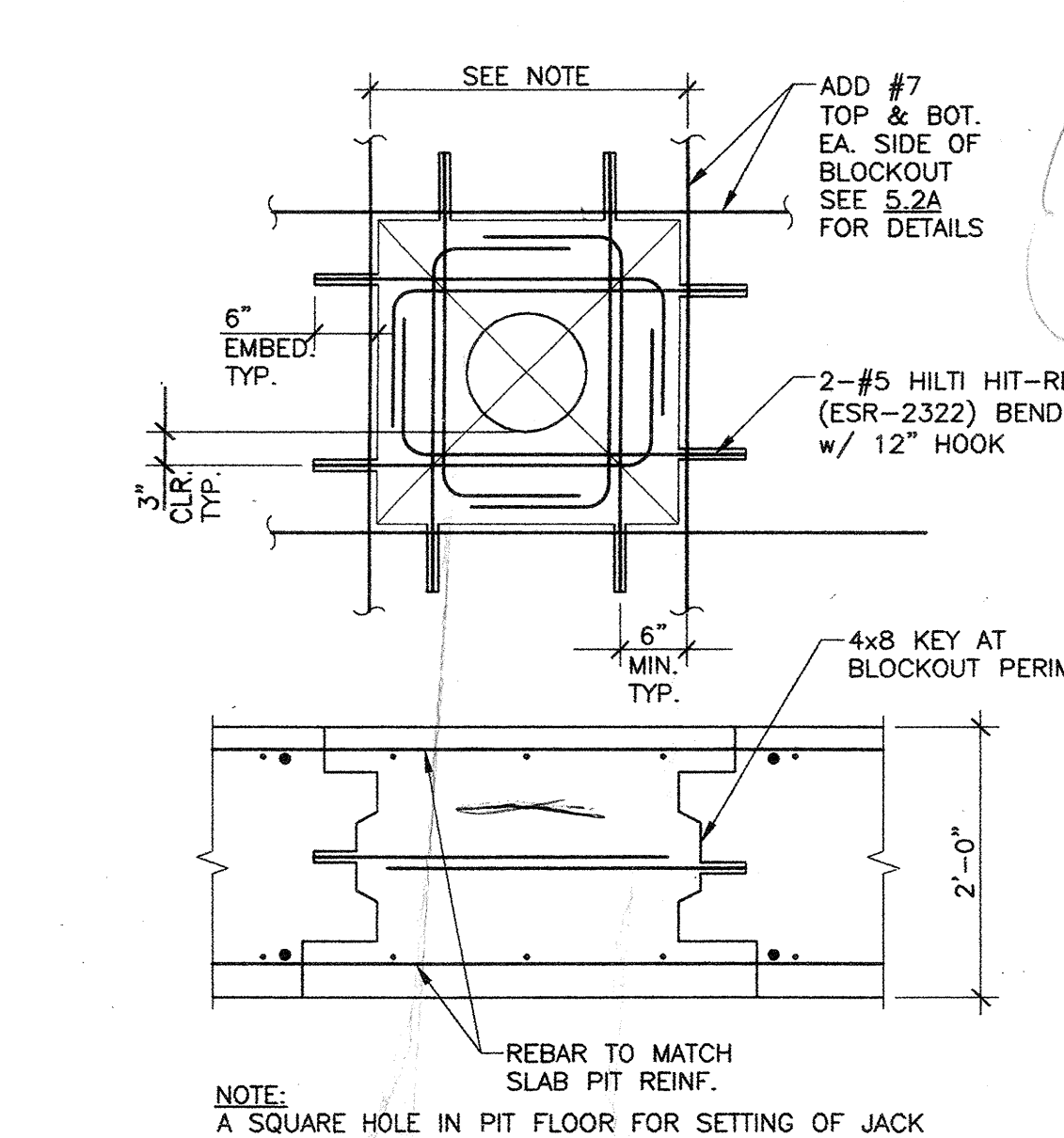
5.2H 1"=1'-0" M703552H



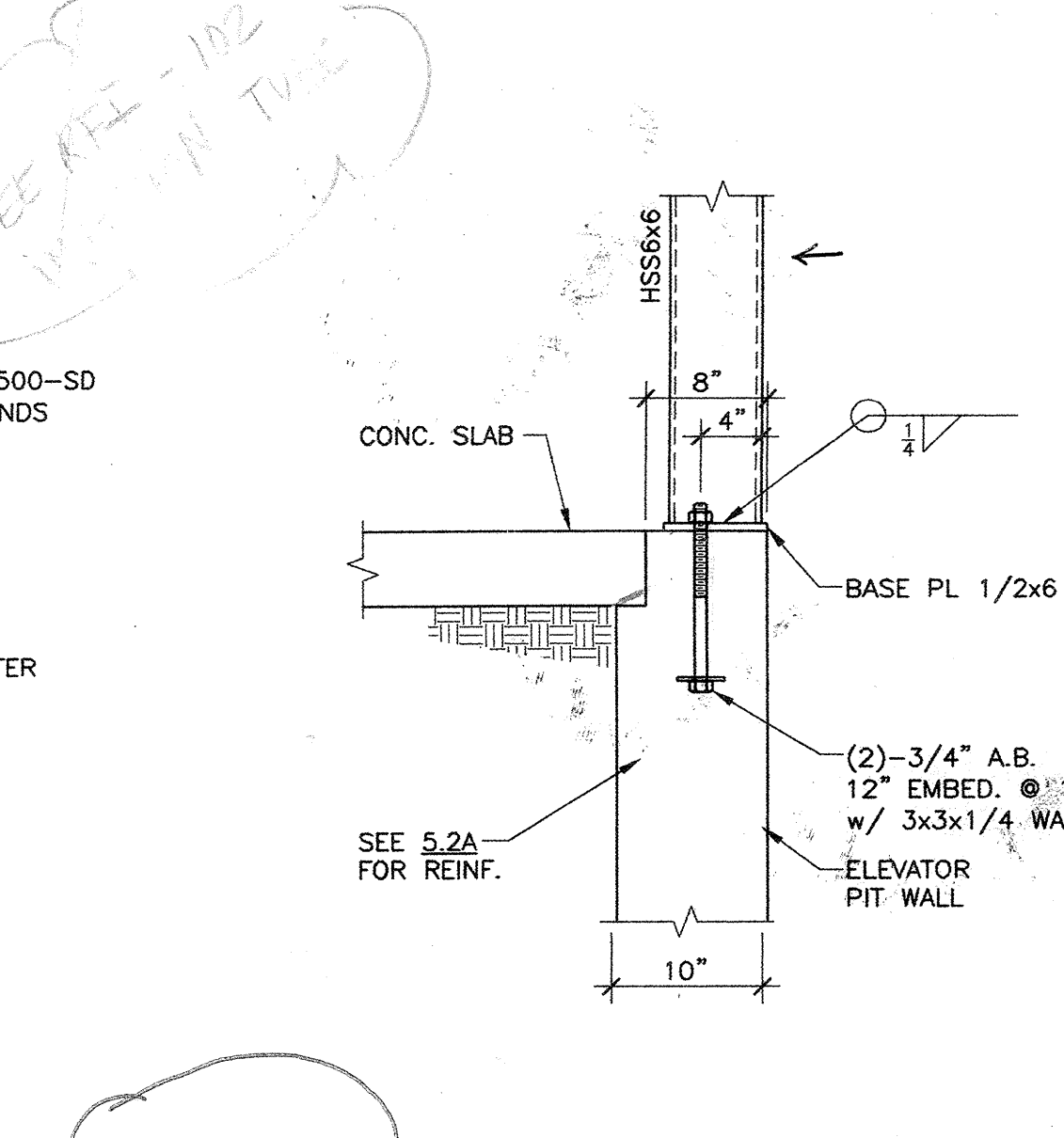
5.2J 1"=1'-0" M703552J



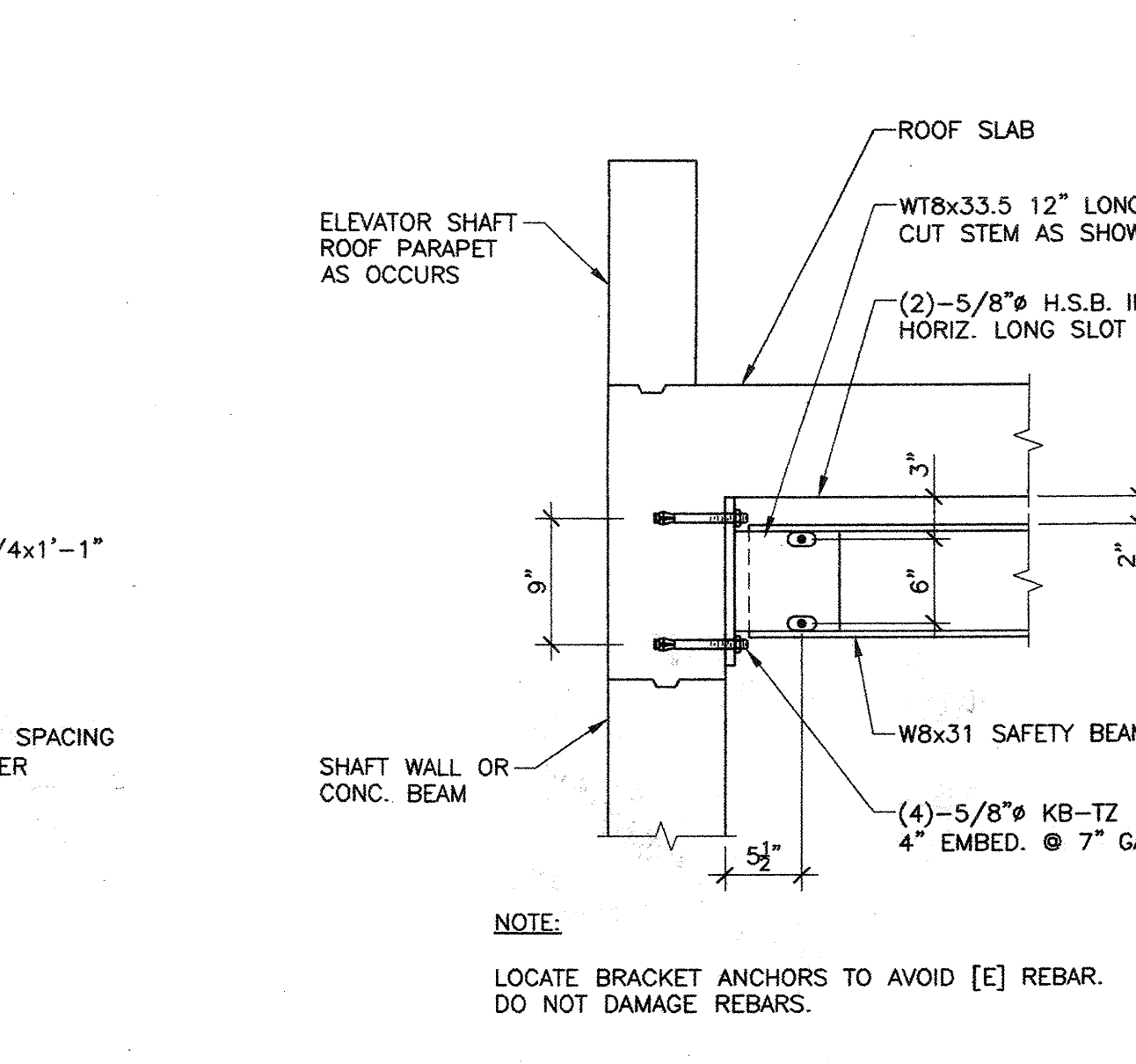
5.2K NEW PENETRATIONS (MEDIUM) M703552K



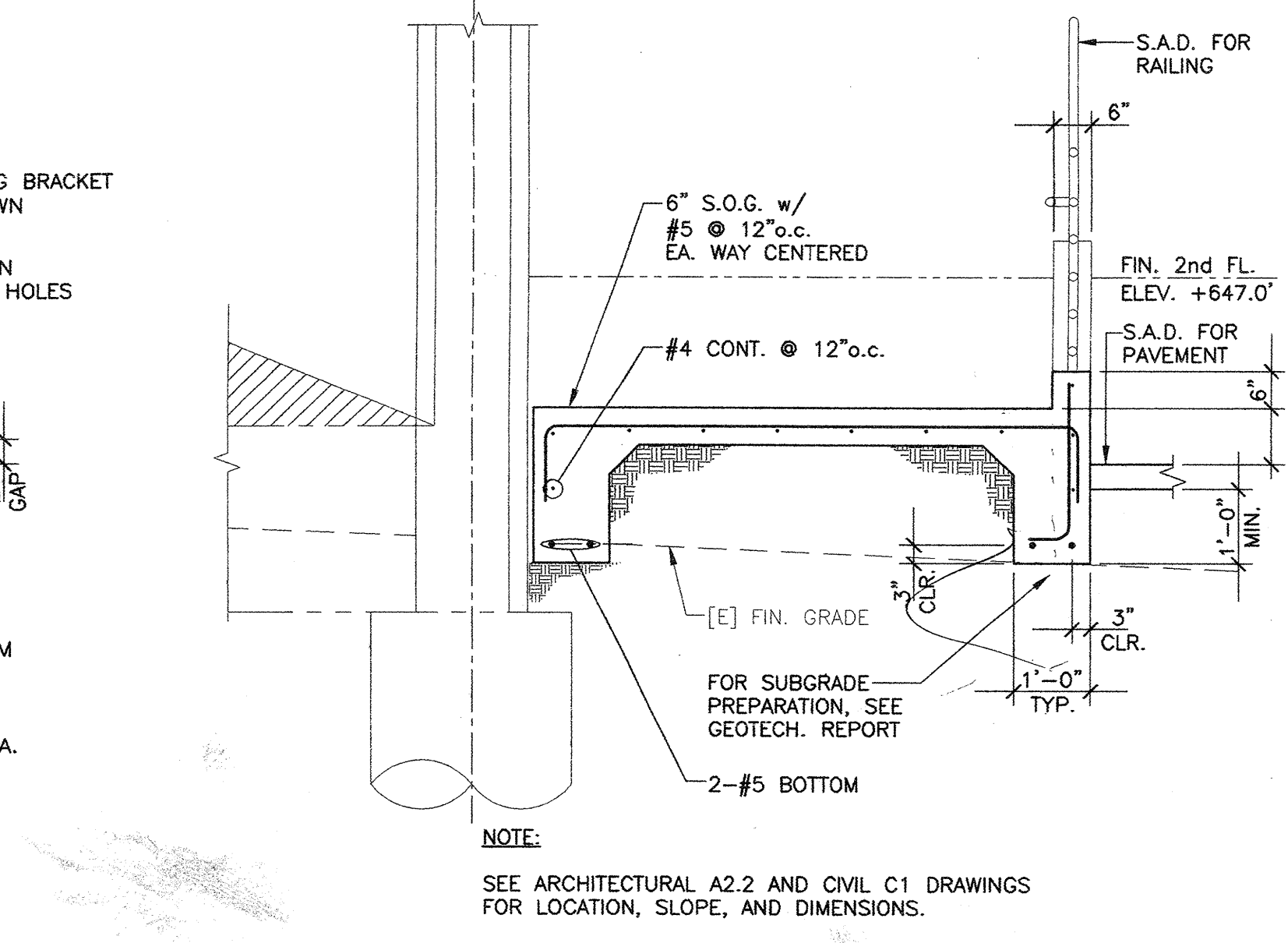
5.2L ELEVATOR PIT BLOCKOUT M703552L



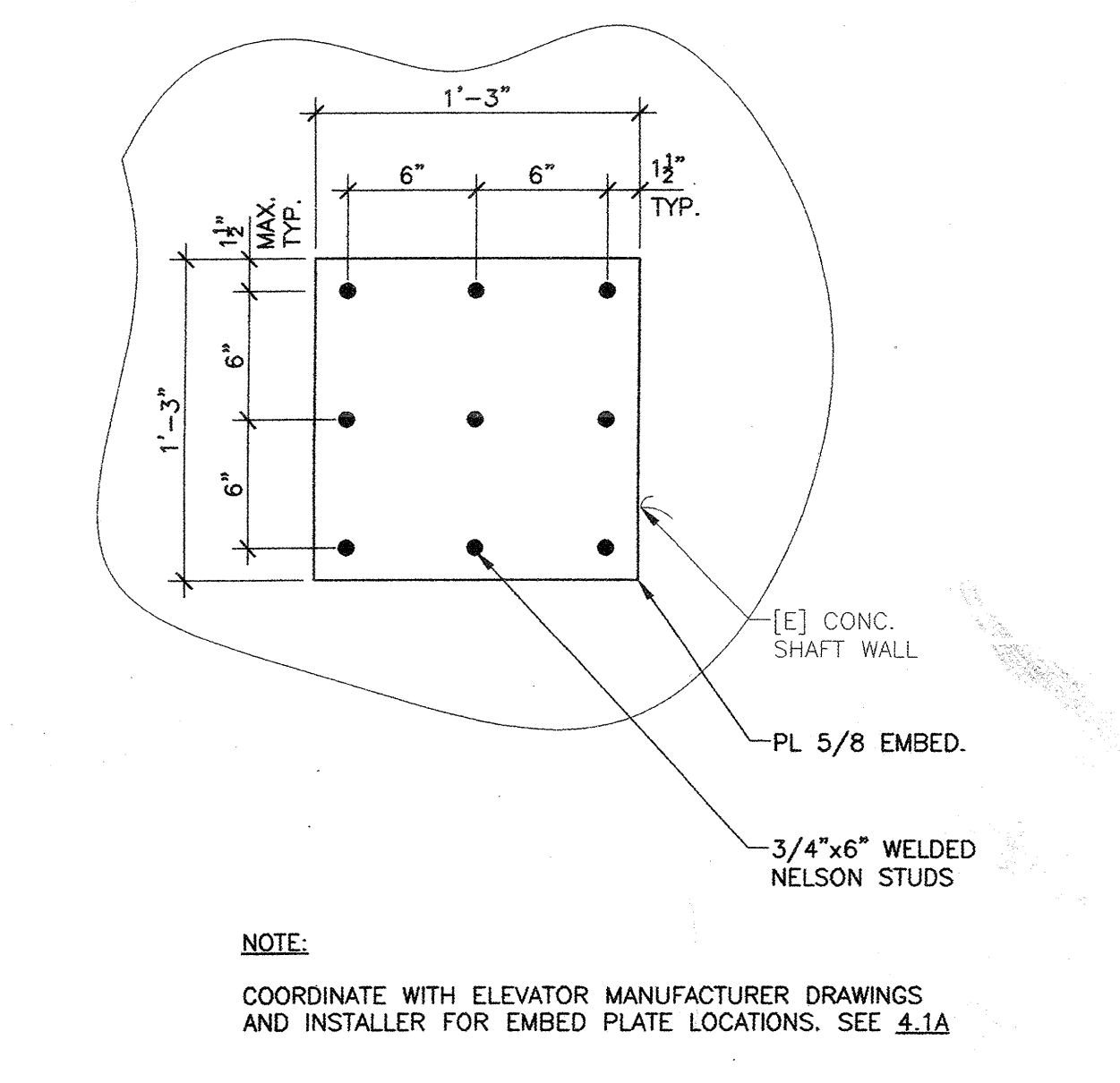
5.2M 1"=1'-0" M703552M



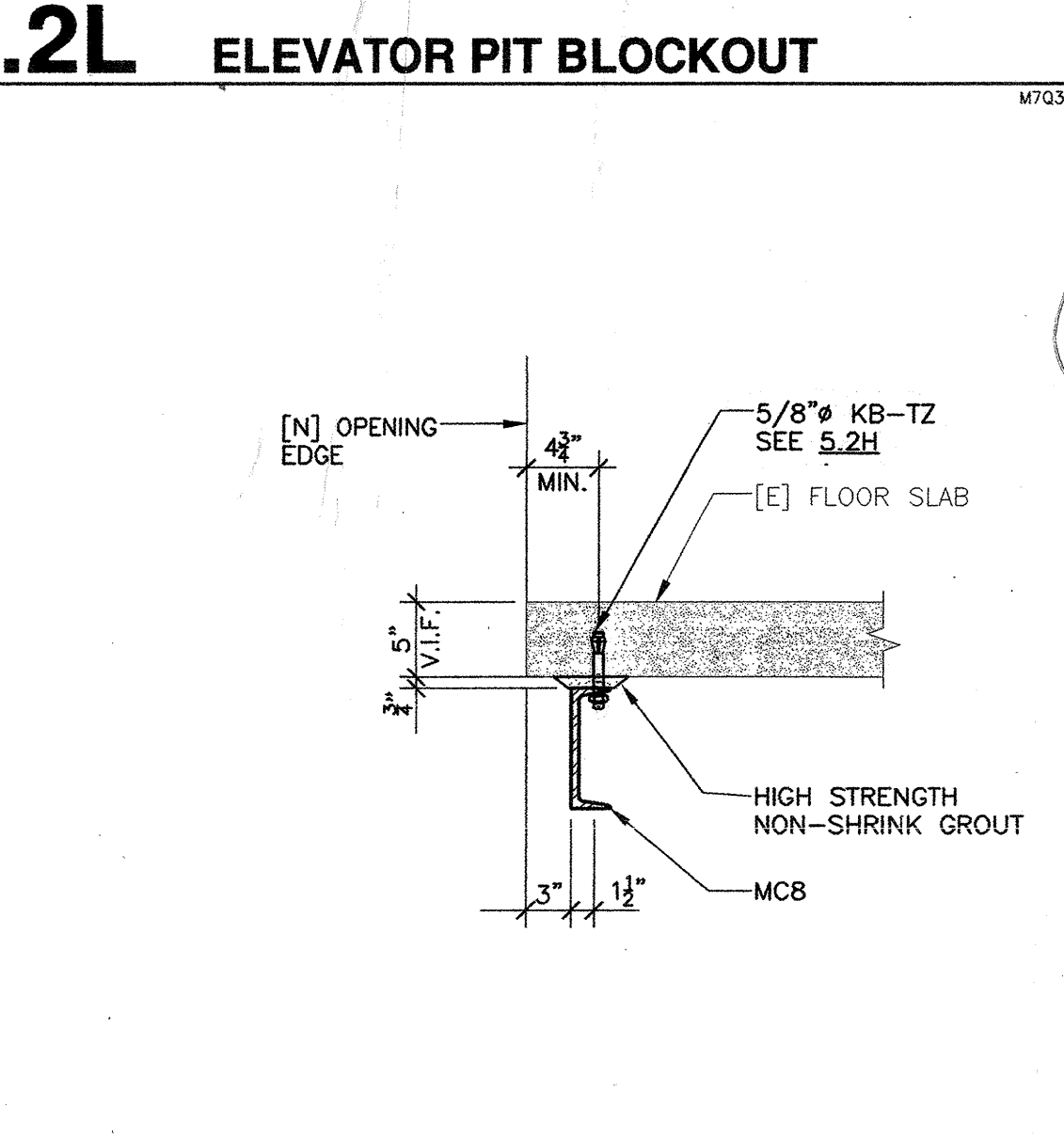
5.2N SAFETY BEAM TO ELEVATOR SHAFT WALL (REF. 4.3A) M703552N



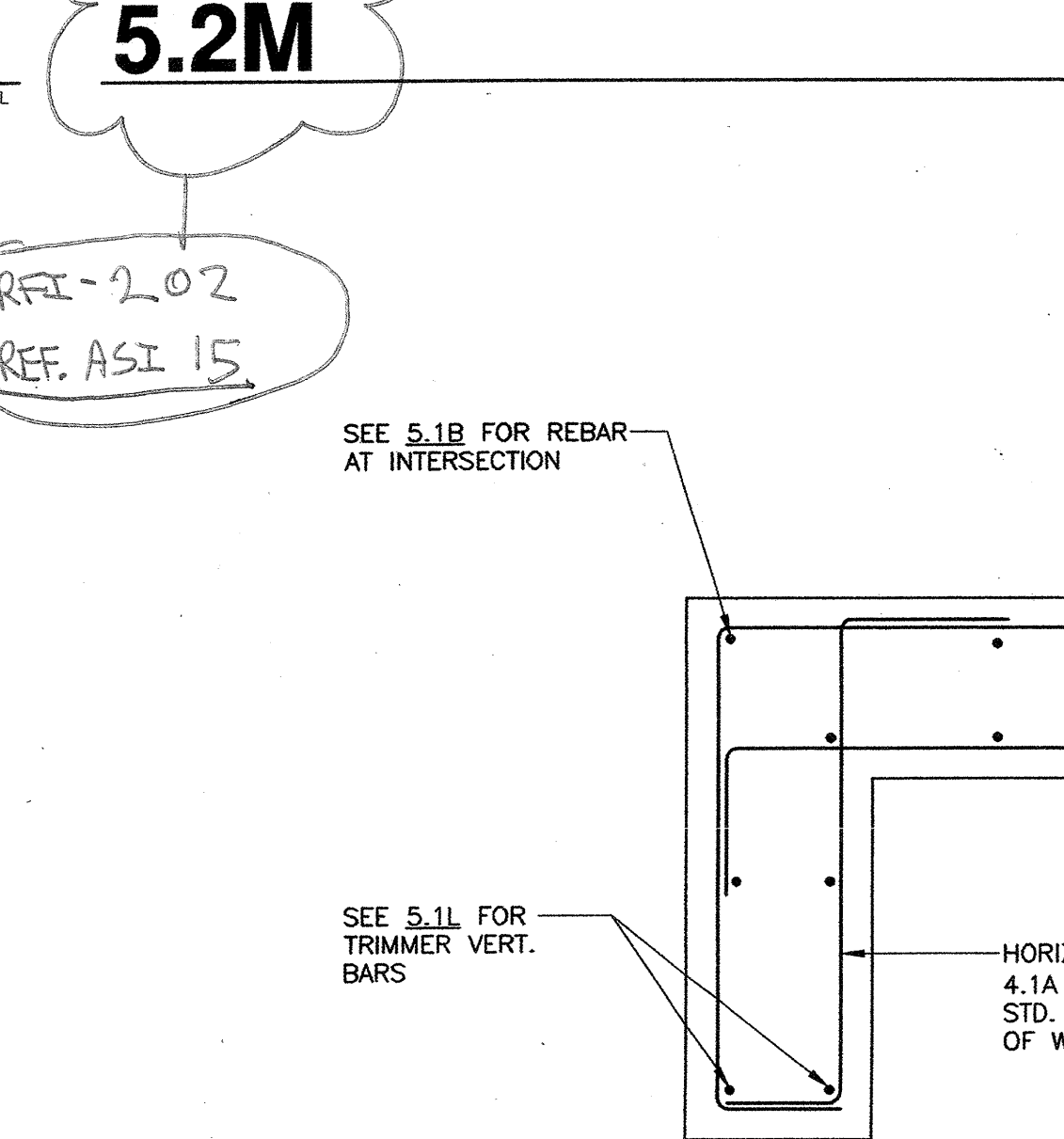
5.2P RAMP SECTION 1/2"=1'-0" M703552P



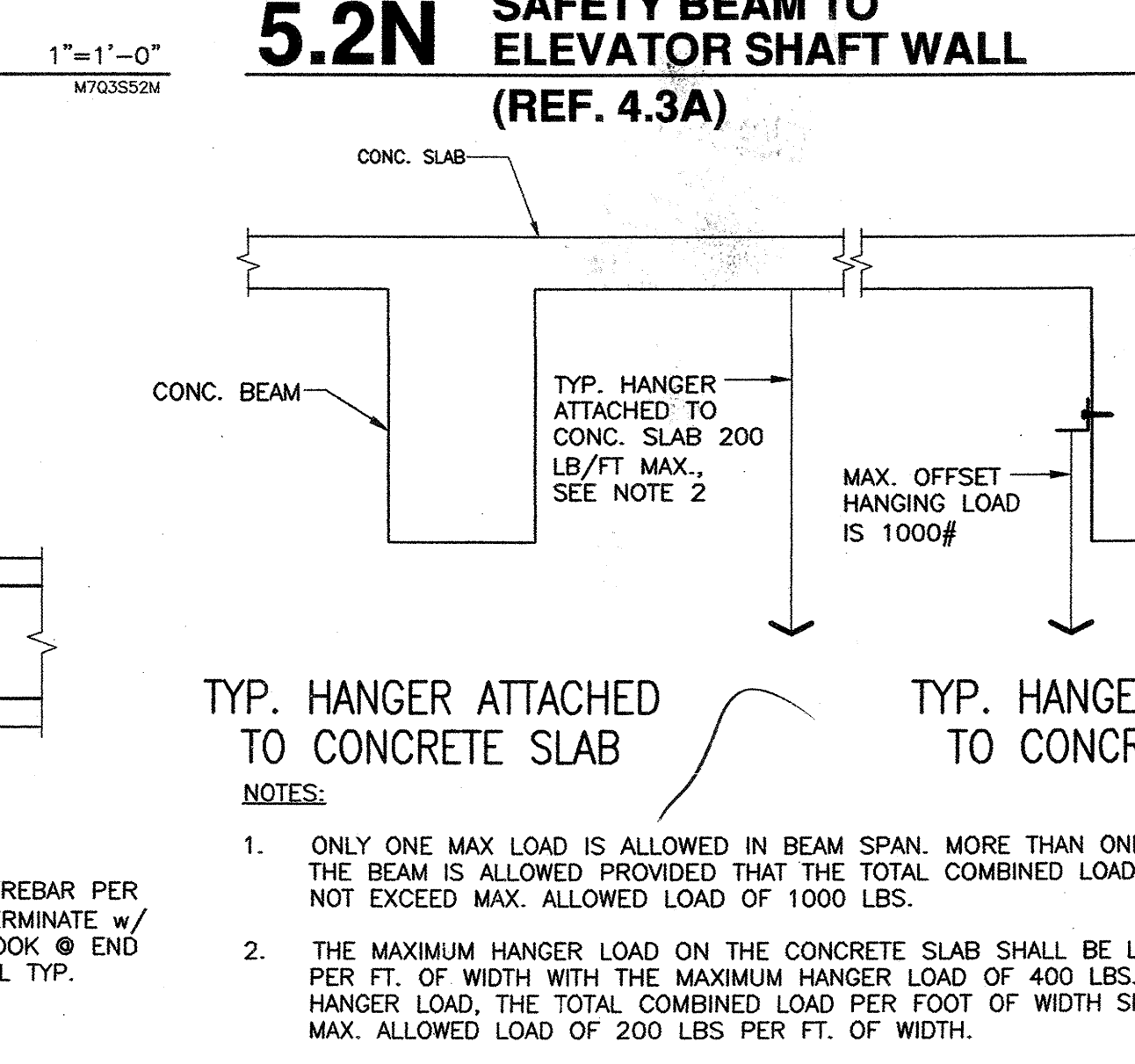
5.2Q EMBEDS FOR ELEVATOR GUIDE RAIL SUPPORT M703552Q



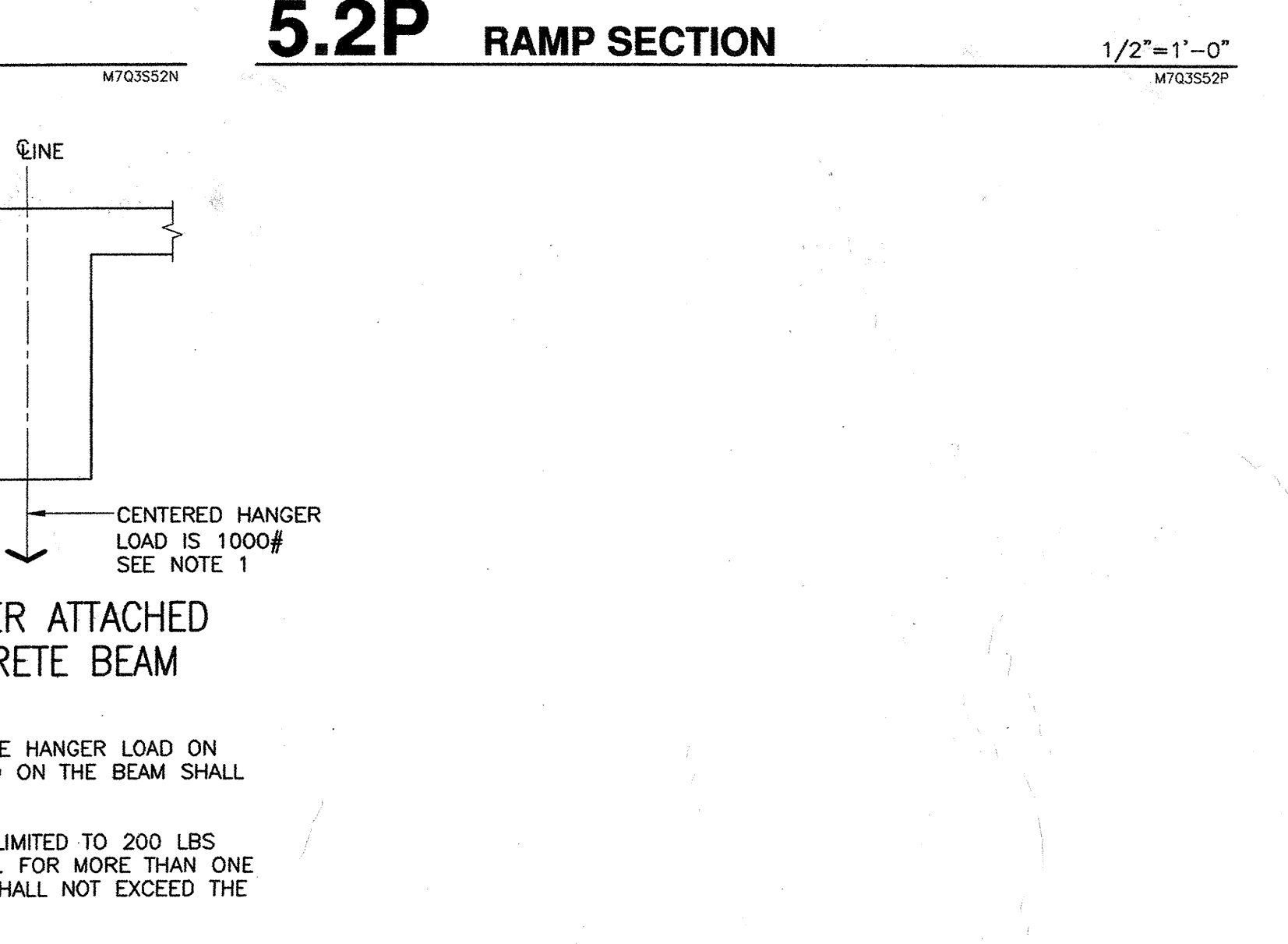
5.2R M703552R



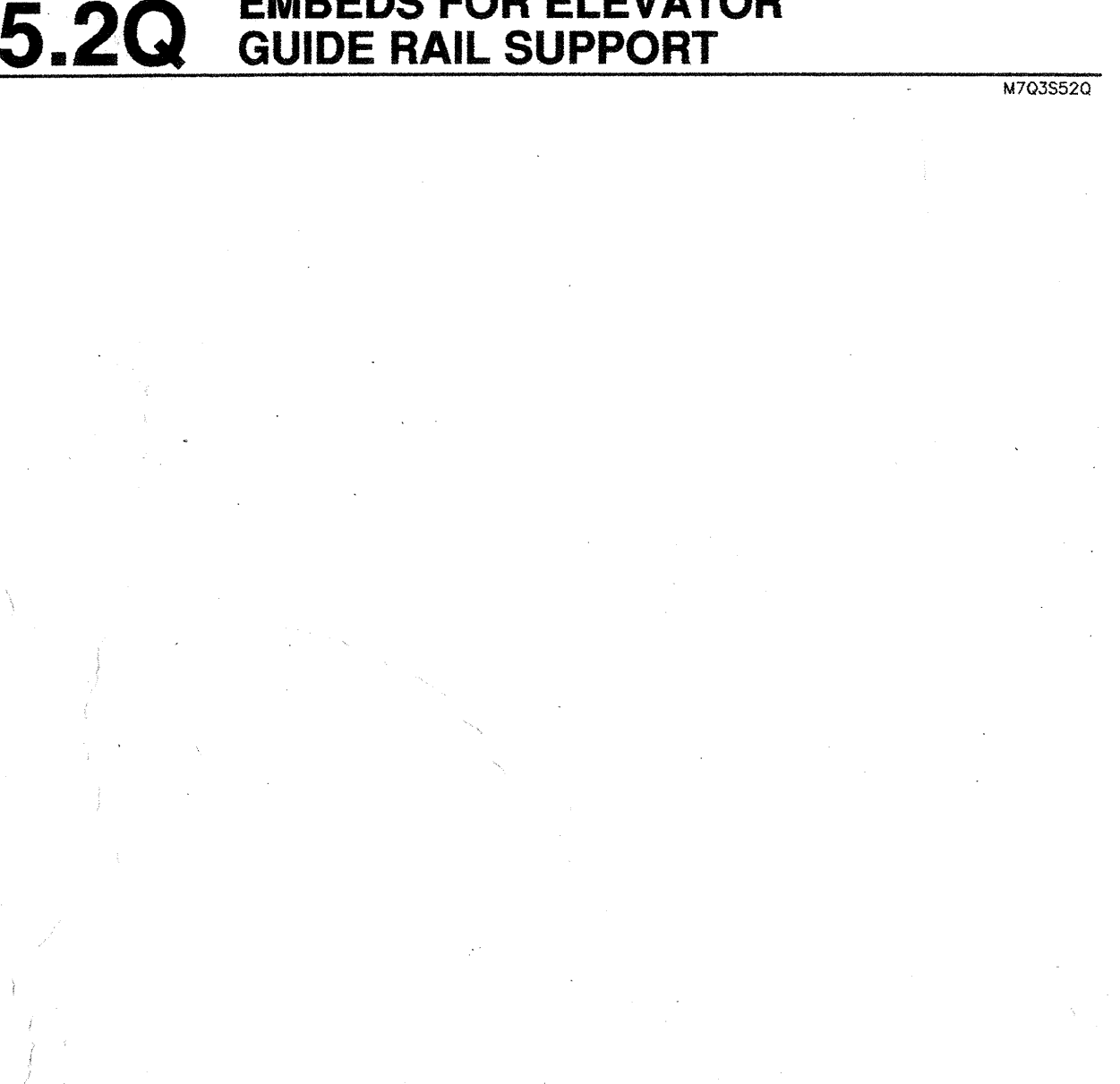
5.2S REINFORCING AT WALL END 1"=1'-0" M703552S



5.2T N.T.S. M703552T



5.2P RAMP SECTION 1/2"=1'-0" M703552P



5.2Q EMBEDS FOR ELEVATOR GUIDE RAIL SUPPORT M703552Q

ARCHITECT: [Signature]
 ENGINEER: [Signature]

1. This sheet is part of a set and is not to be used alone.
 2. This sheet is not to be used for construction unless the architect's stamp and signature appear on the drawings and the status box indicates drawings have been released for construction.
 3. These plans and prints thereof, as instruments of service, are owned by the architect and are for use on this project only. Reproduction and/or distribution without the prior written consent of the architect is forbidden.
 4. Copyright Burton Clifford Associates, 2007

REVISION HISTORY	REMARKS	DATE

FILE NO. 41-C1
 IDENTIFICATION STAMP
 DIV. OF THE STATE ARCHITECT
 01-110074
 AC. PLS. SS
 DATE: MAR 19 2008

BUILDINGS 5 & 6 RENOVATIONS
 San Mateo County Community College District

DSA BACK-CHECK

CAÑADA COLLEGE
 4200 Farm Hill Boulevard
 Redwood City, CA 94061

CONCRETE DETAILS