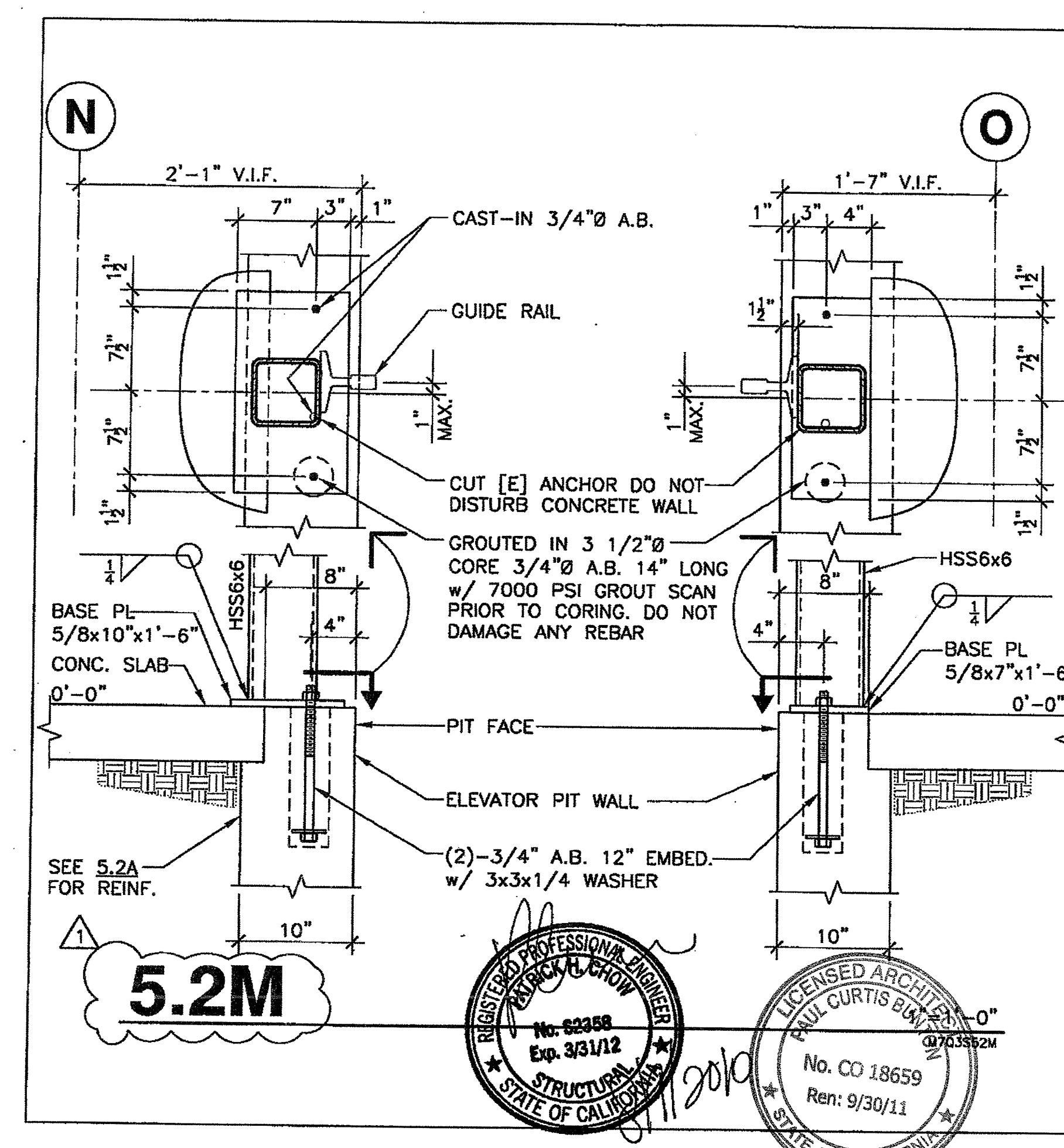


ASI-15



BCA architecture planning interiors 210 Hammond Ave. Fremont, California 94539 [T] 510.448.1000 [F] 510.448.1005	Title: INTERIOR ELEVATOR DETAILS	Revision: REF. S5.2	
	Project Name: CANADA COLLEGE - BUILDINGS 5 & 6 RENOVATIONS SAN MATEO COUNTY COMMUNITY COLLEGE DISTRICT 4200 FARM HILL BOULEVARD REDWOOD CITY, CA 94061 FILE NO. 43-C1 APPL. 01-110074	Date: 08/09/10	Drawing Number 5.2M
	Scale: AS NOTED	Project Number 07013	