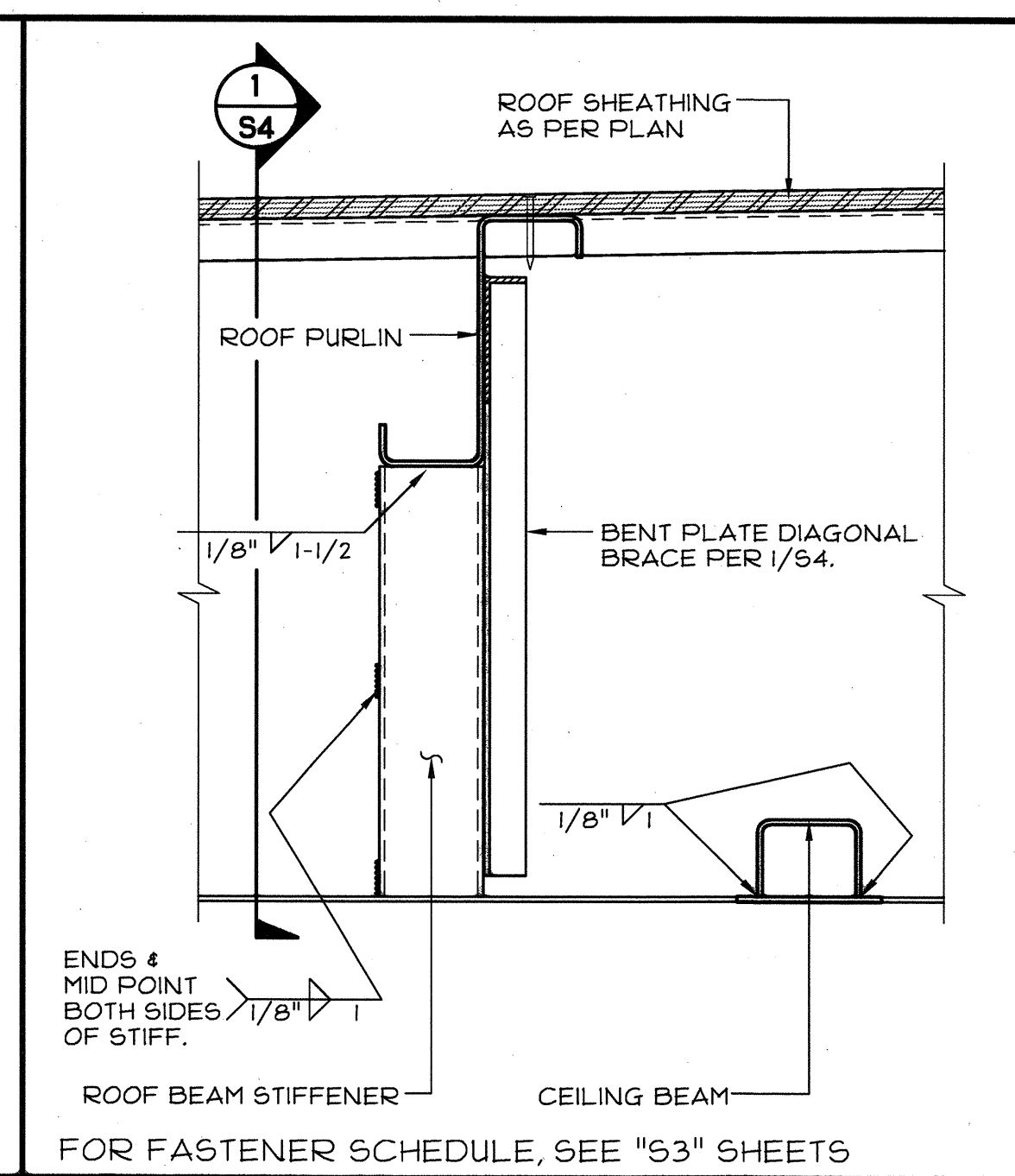
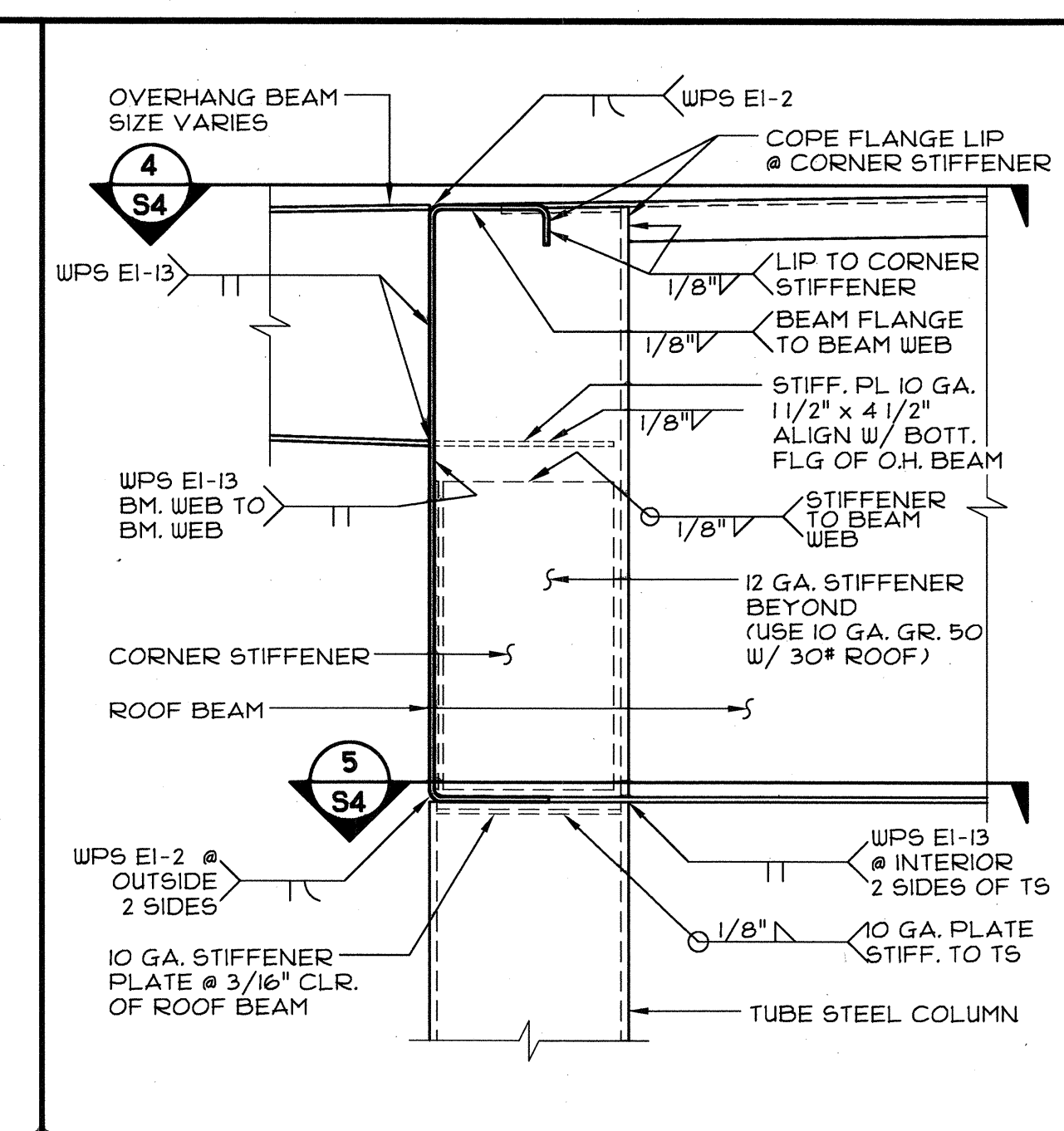


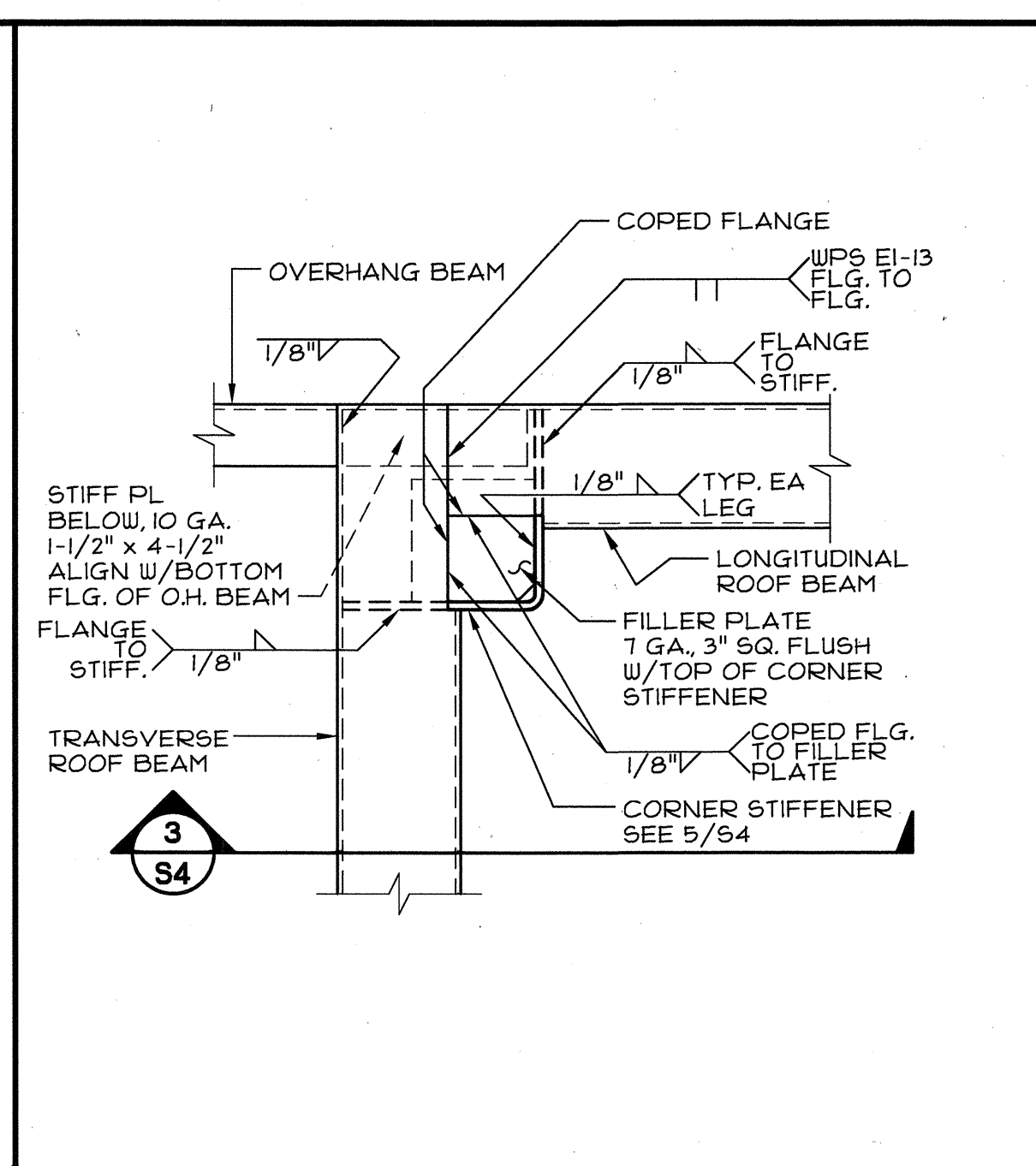
1 ROOF BEAM SECTION @ PURLIN
SCALE: 3/8"=1'-0"



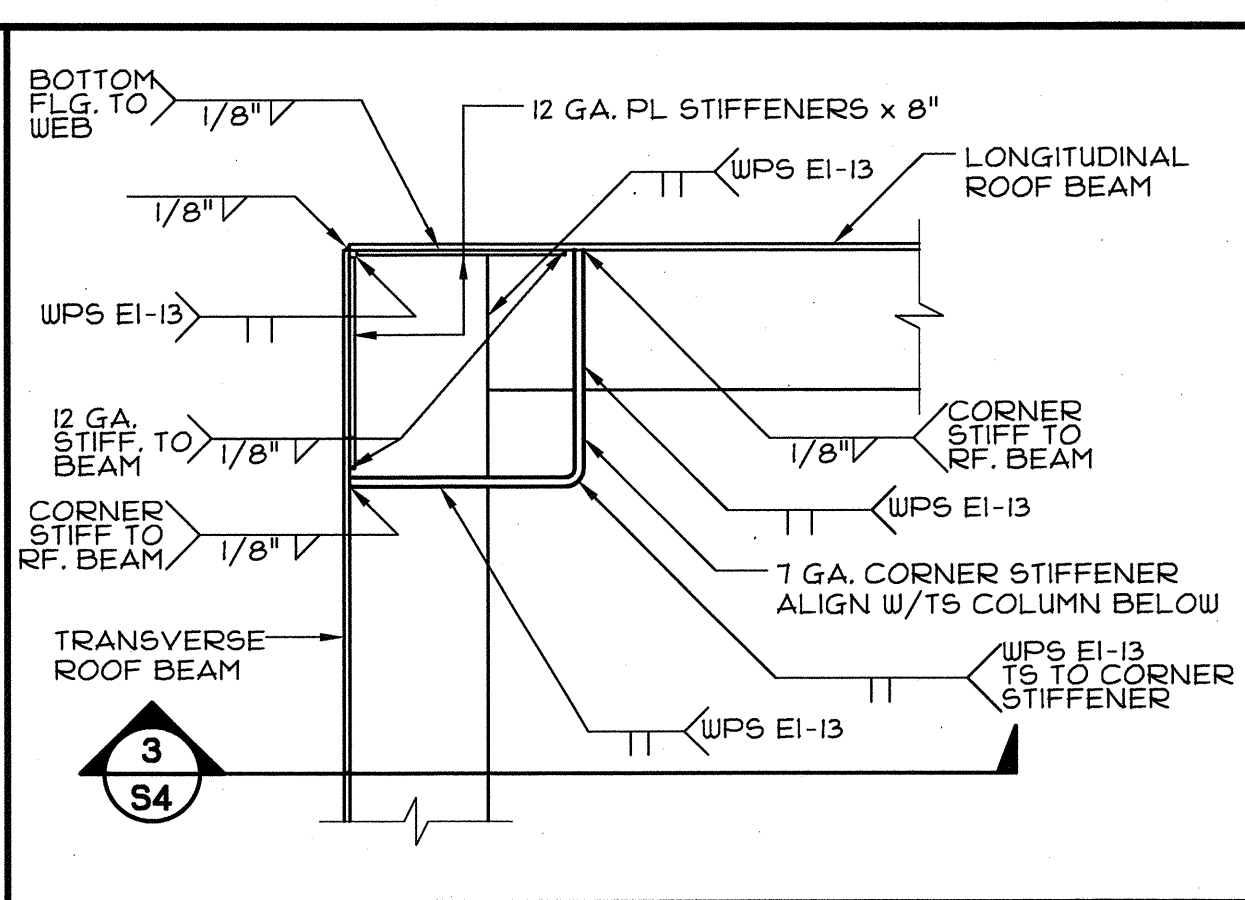
2 PURLIN TO STIFFENER AT BEAM
SCALE: 3/8"=1'-0"



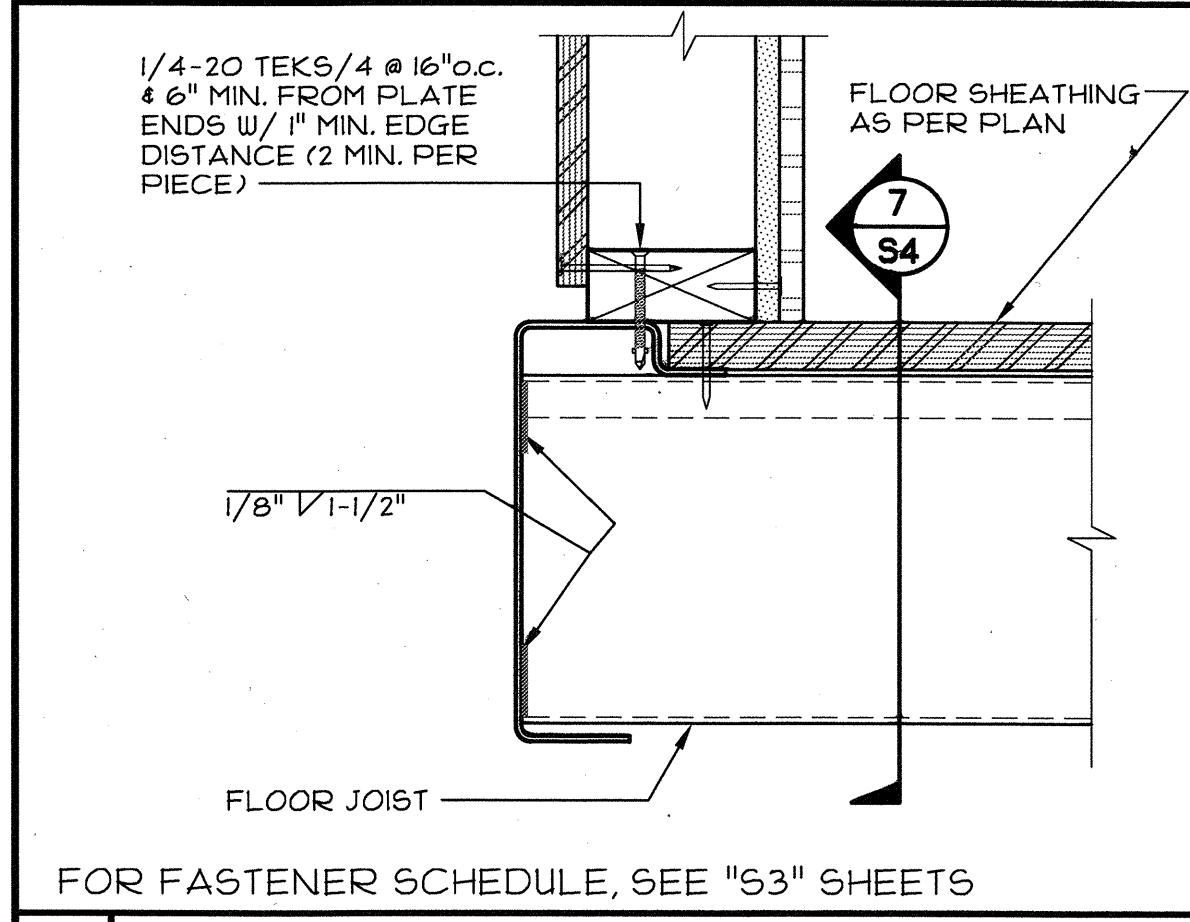
3 ROOF BEAM SECTION @ CORNER
SCALE: 3/8"=1'-0"



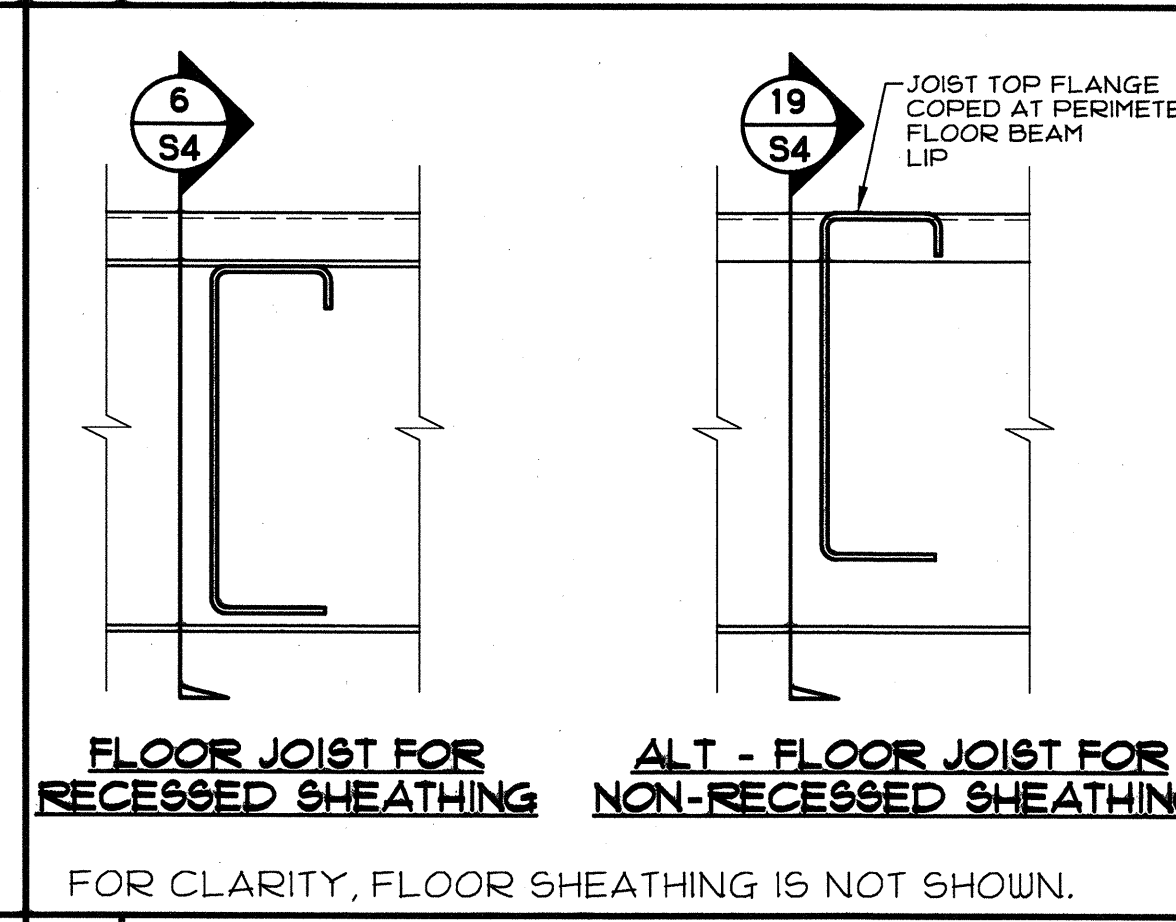
4 ROOF BEAM TOP FLANGE
SCALE: 3/8"=1'-0"



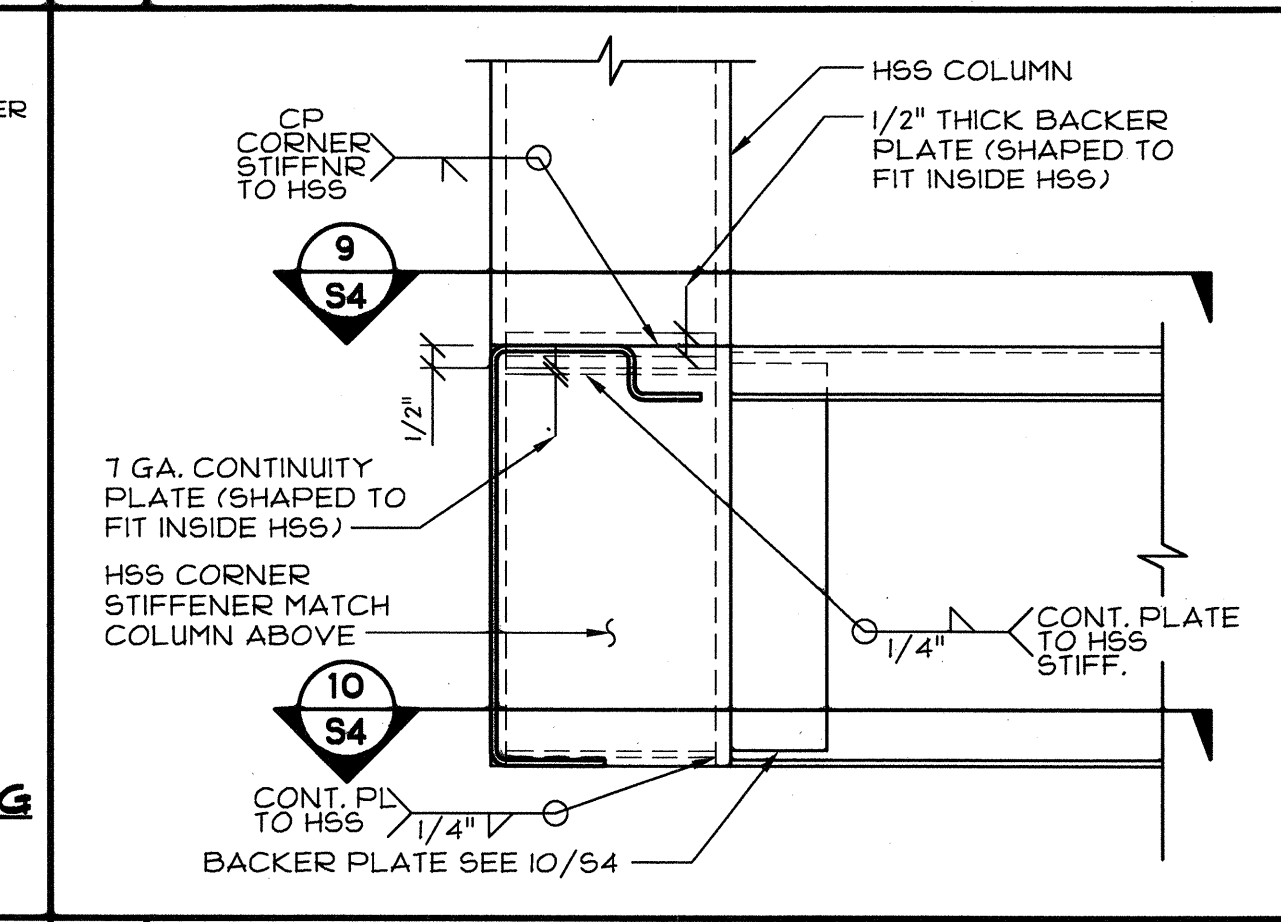
5 ROOF BEAM BOTTOM FLANGE
SCALE: 3/8"=1'-0"



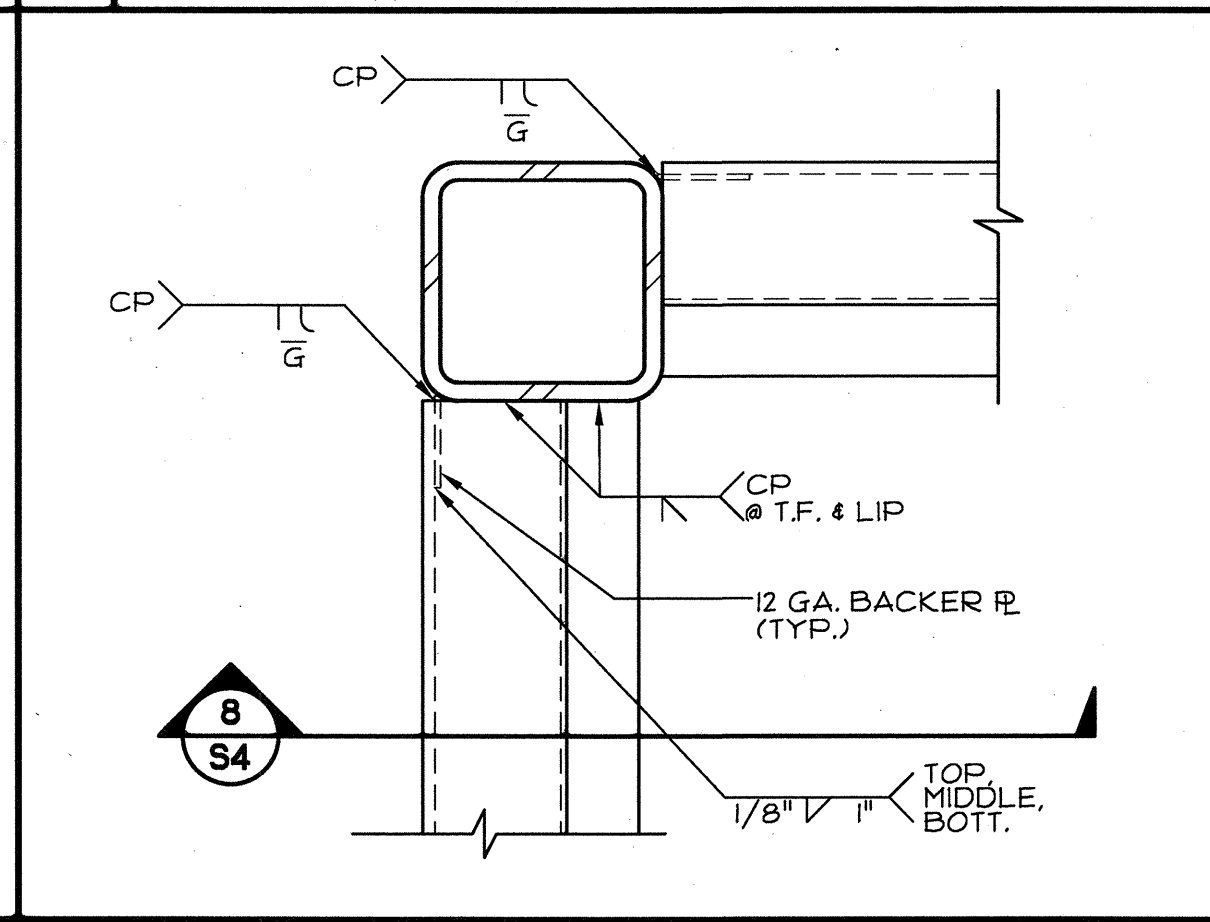
6 FLOOR BEAM @ JOIST CONNECTION
SCALE: 3/8"=1'-0"



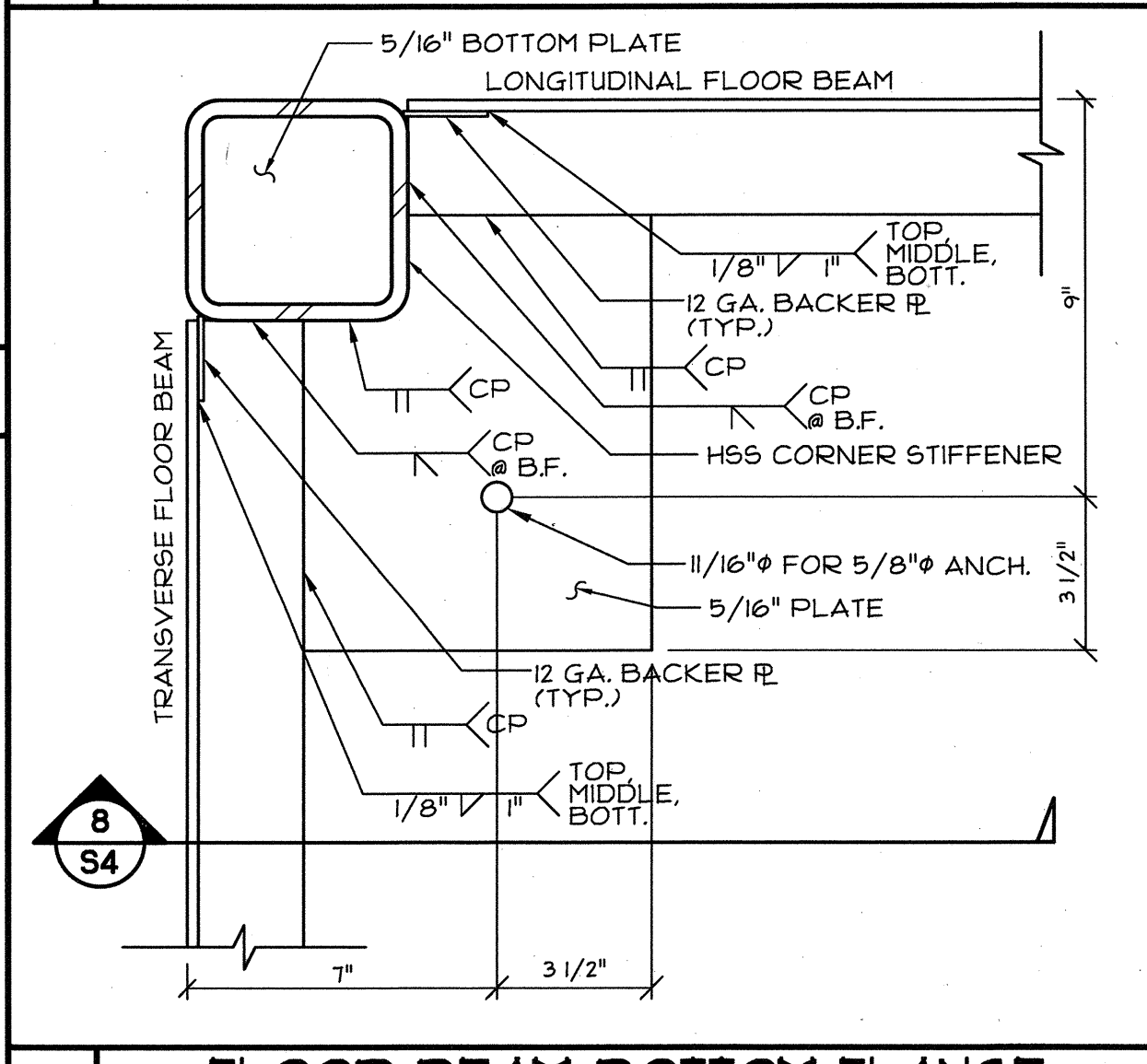
7 JOIST TO BEAM CONNECTION
SCALE: 3/8"=1'-0"



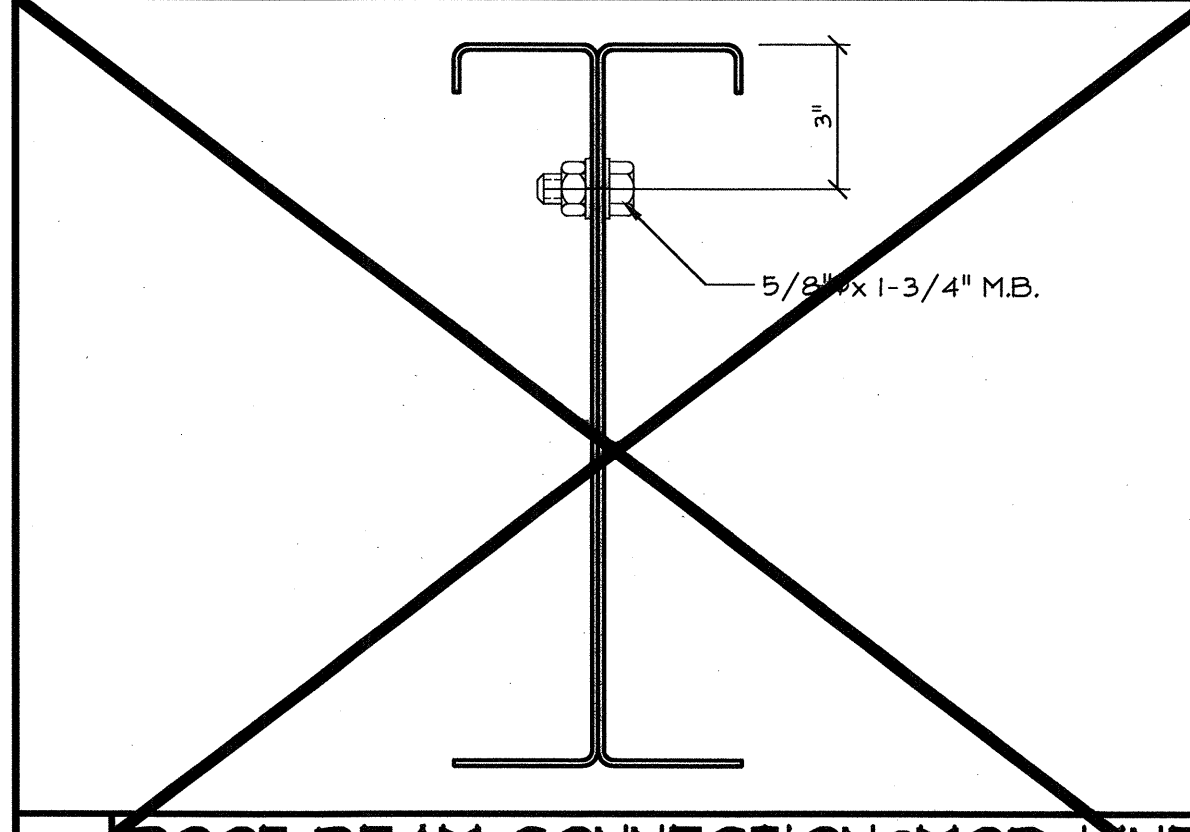
8 FLOOR BEAM SECTION @ CORNER
SCALE: 3/8"=1'-0"



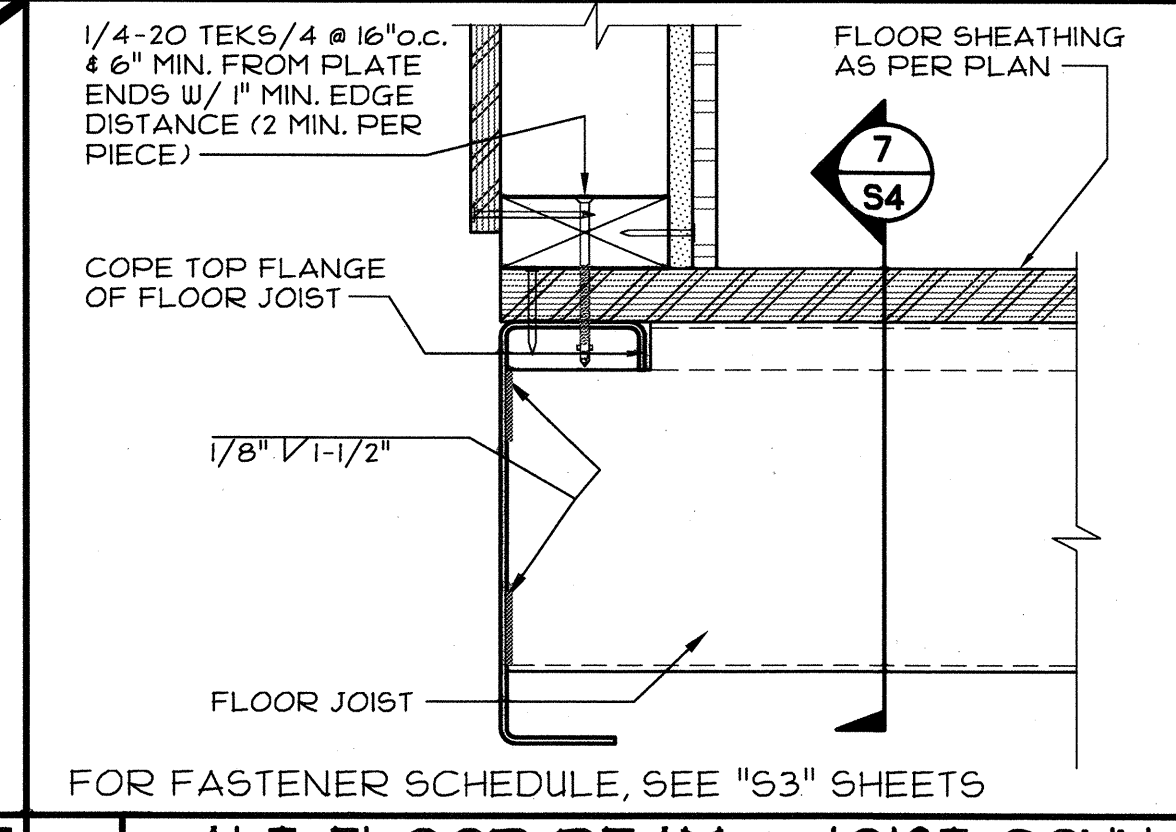
9 FLOOR BEAM TOP FLANGE
SCALE: 3/8"=1'-0"



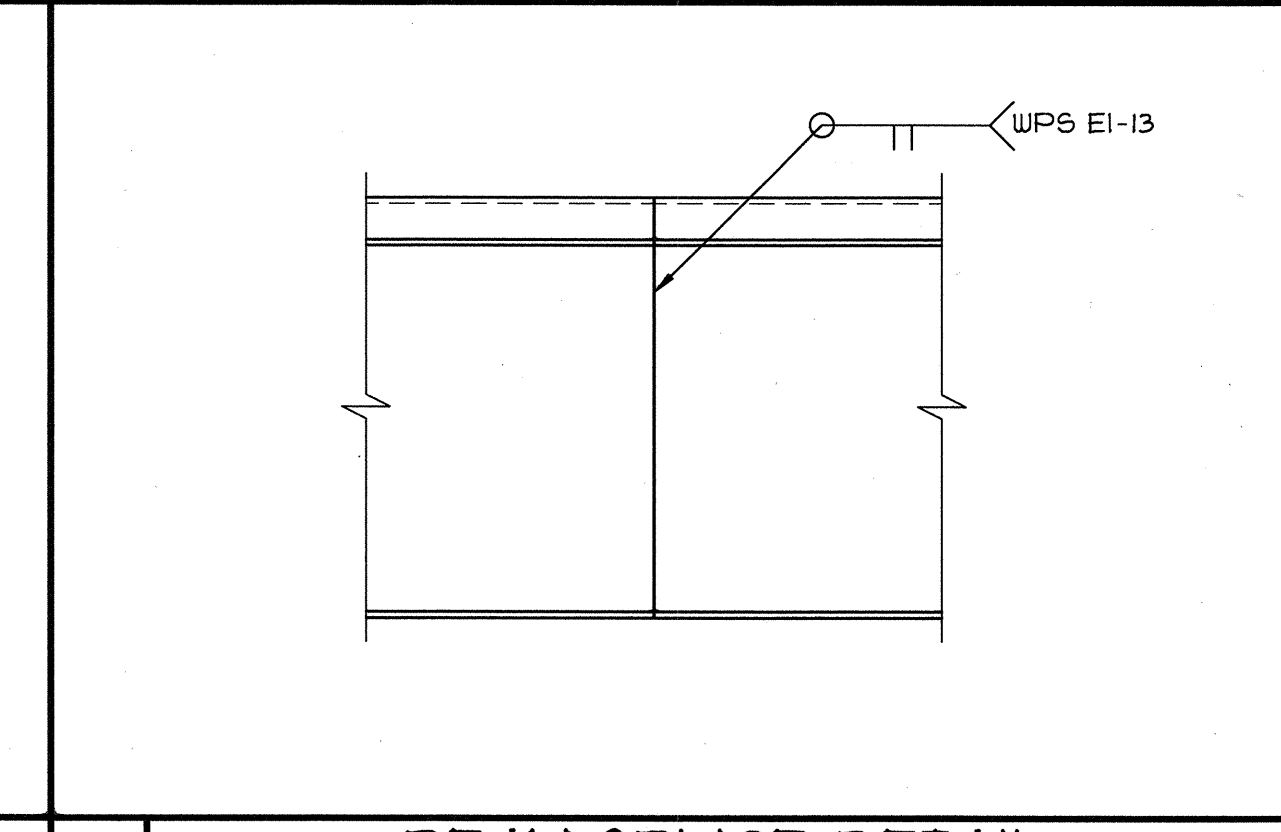
10 FLOOR BEAM BOTTOM FLANGE
SCALE: 3/8"=1'-0"



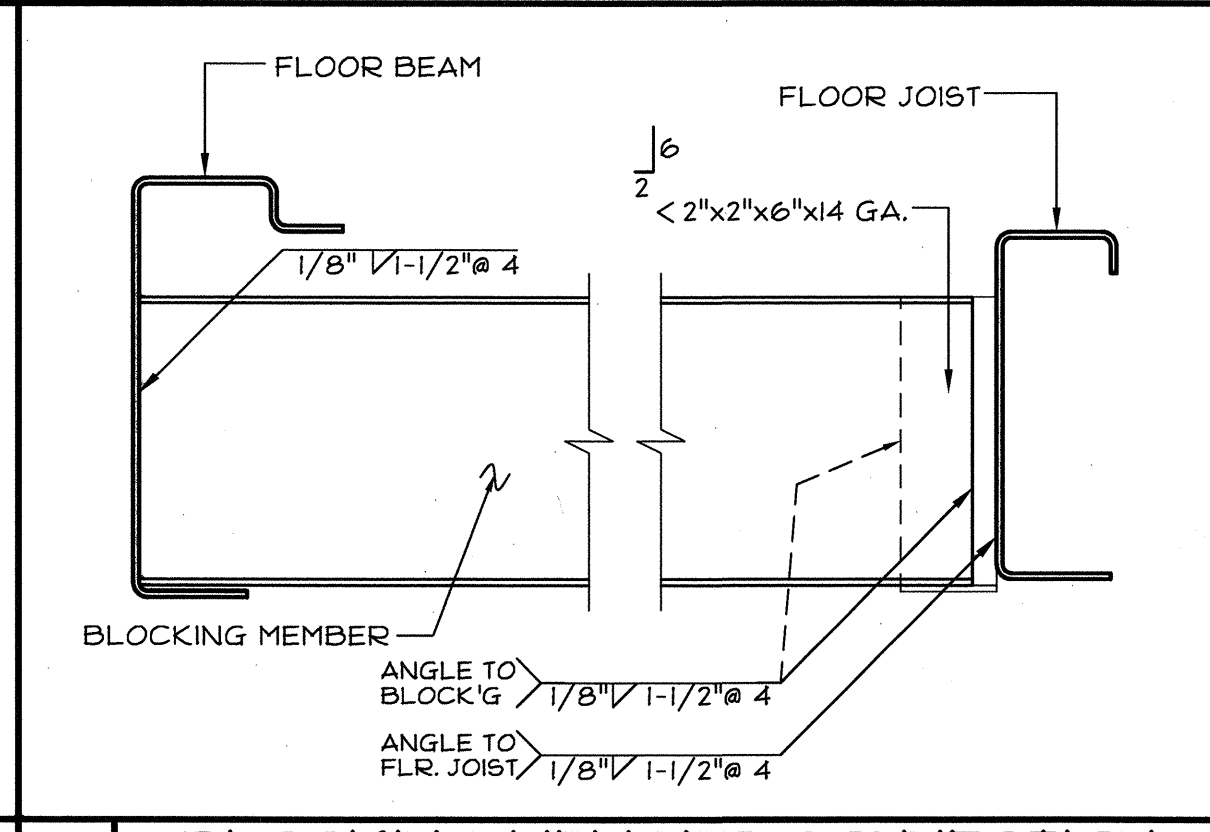
11 ROOF BEAM CONNECTION @ MOD LINE
SCALE: 3/8"=1'-0"



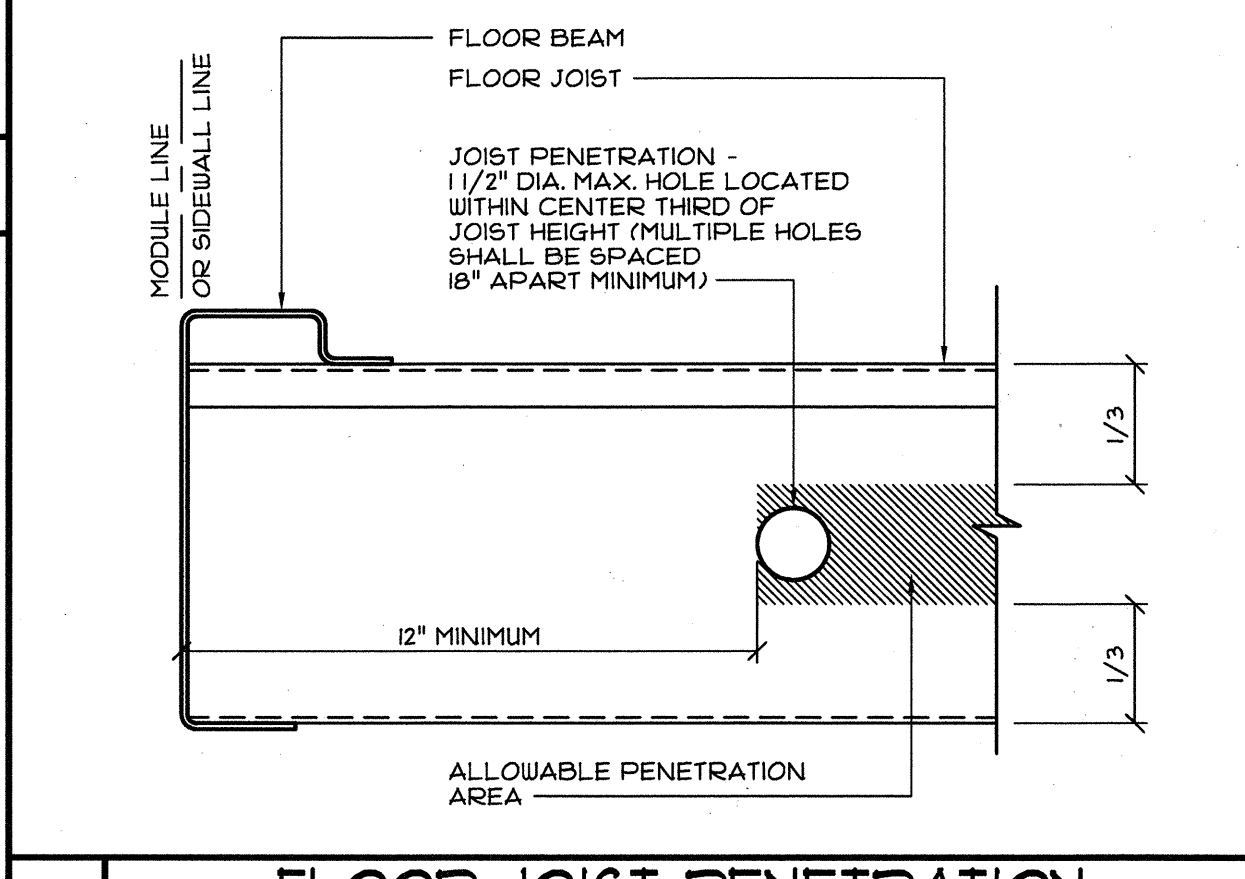
19 ALT. FLOOR BEAM @ JOIST CONN.
SCALE: 3/8"=1'-0"



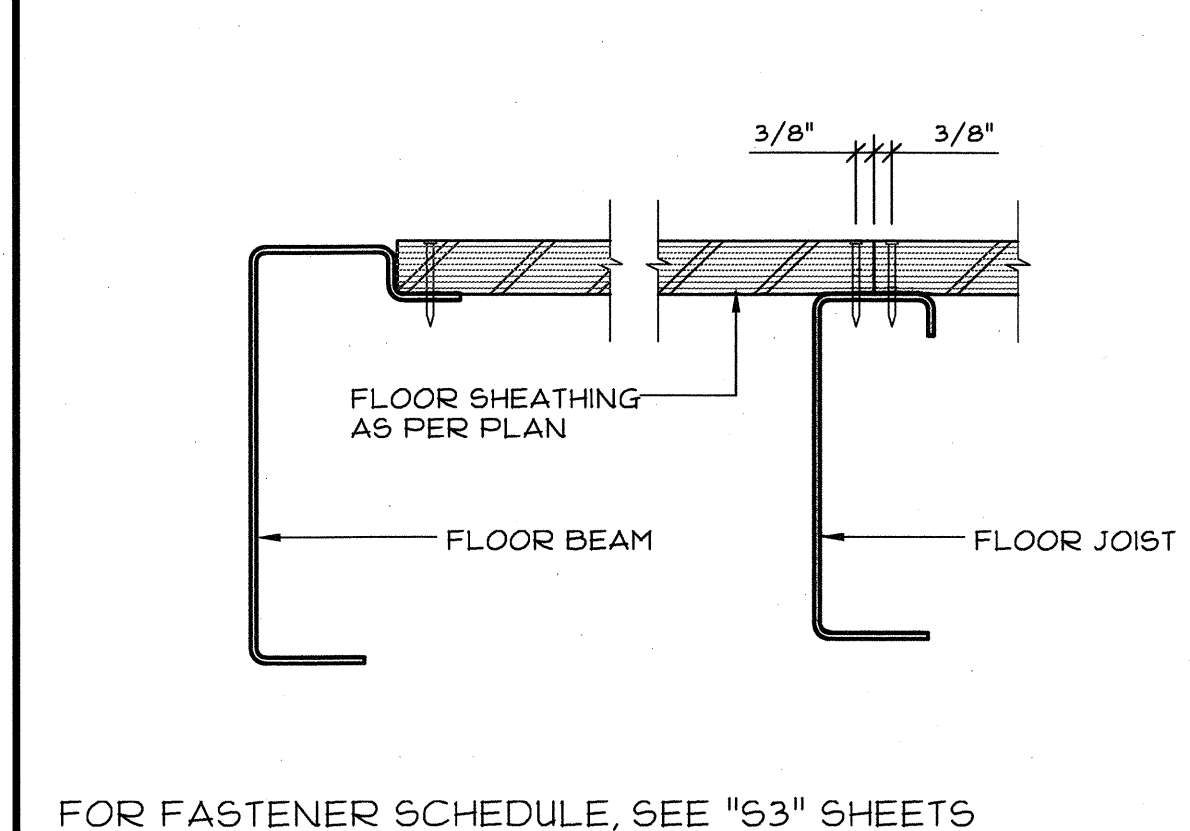
13 BEAM SPLICE DETAIL
SCALE: 3/8"=1'-0"



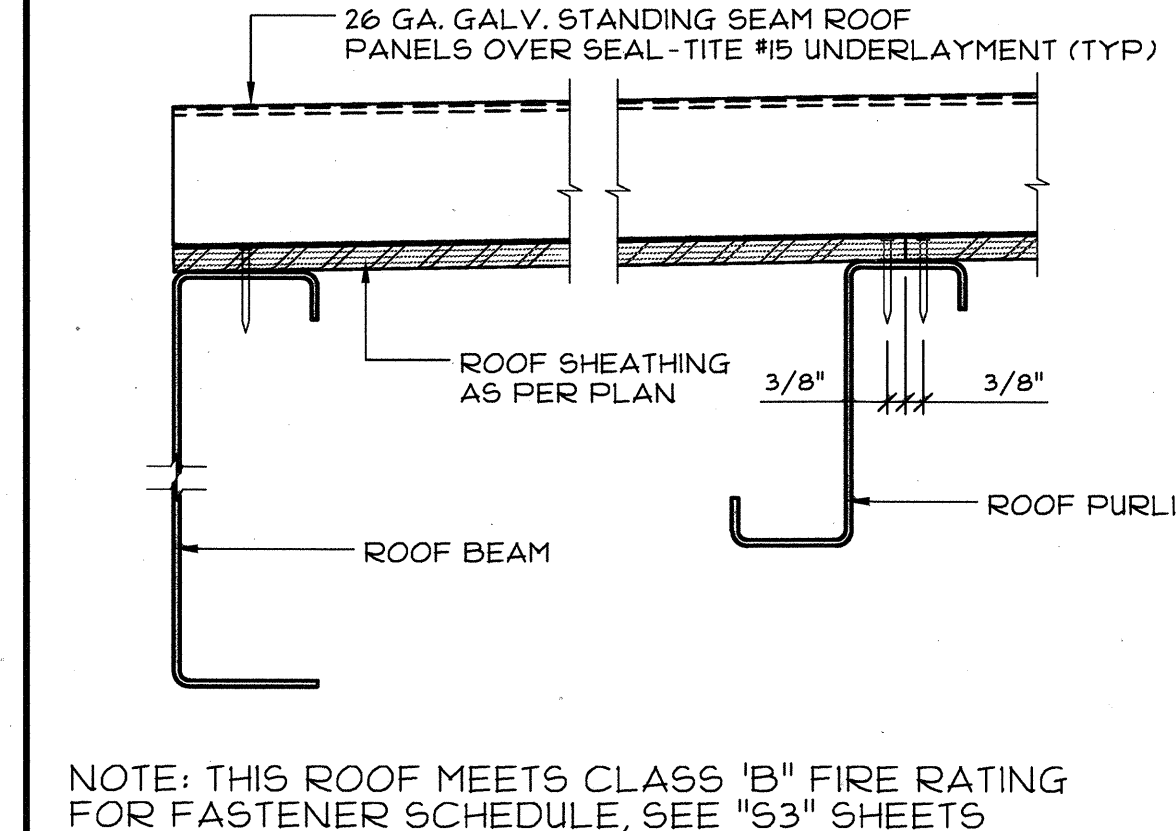
14 BLOCKING MEMBER CONNECTION
SCALE: 3/8"=1'-0"



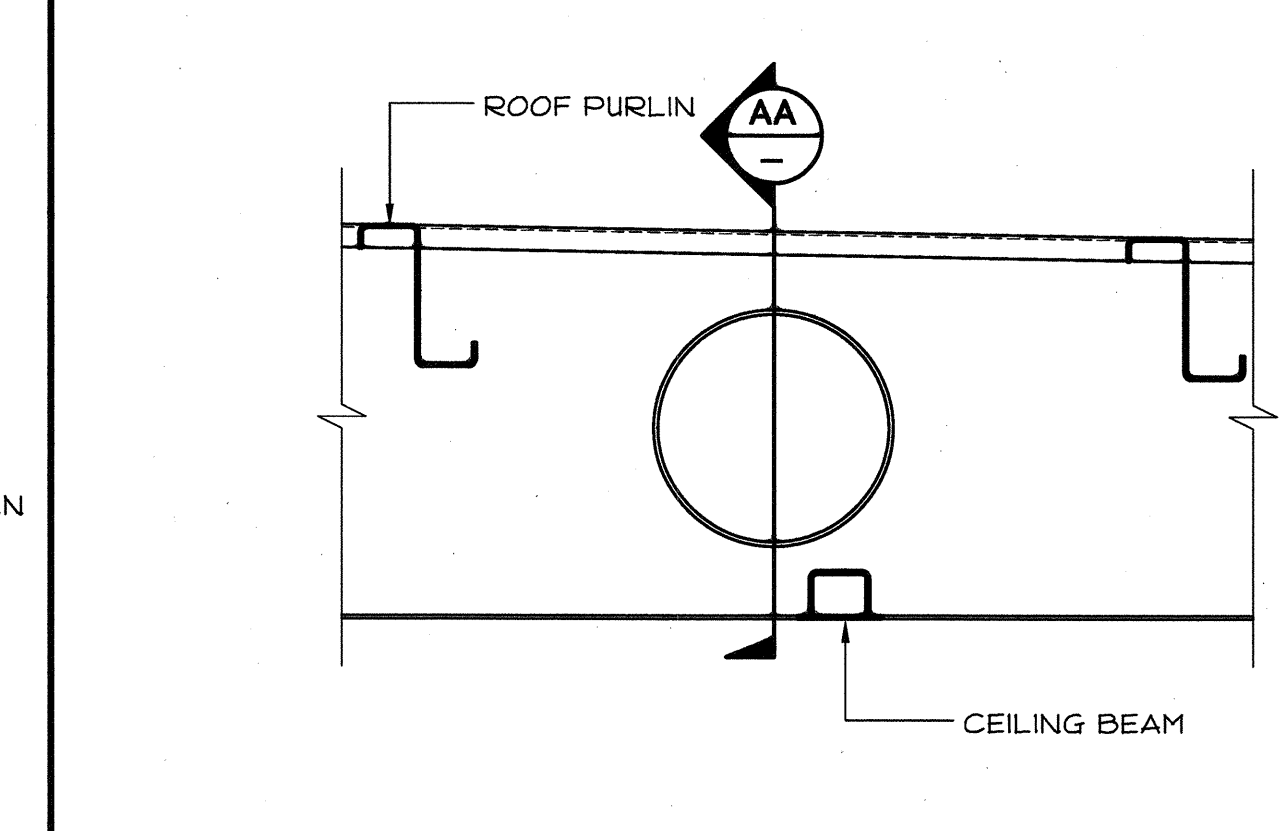
18 FLOOR JOIST PENETRATION
SCALE: 3/8"=1'-0"



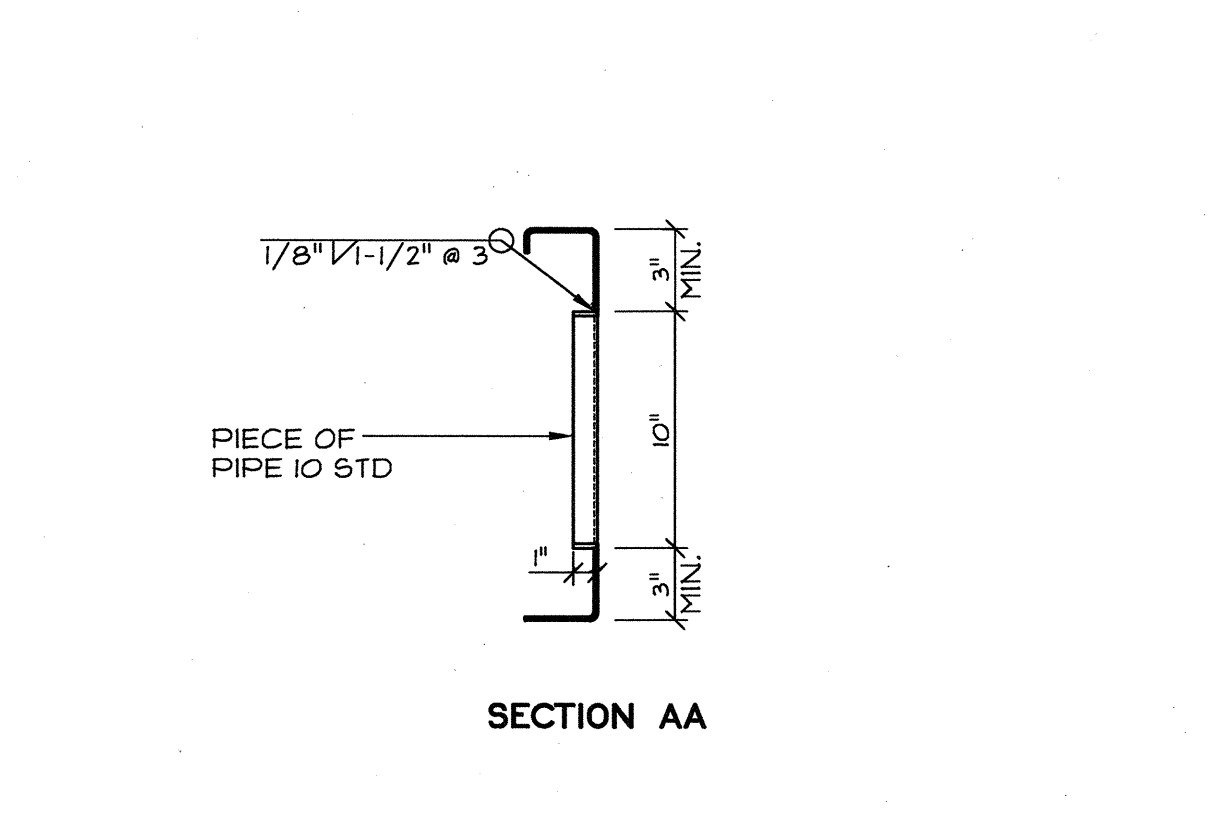
15 FLOOR SHEATHING ATTACHMENT
SCALE: 3/8"=1'-0"



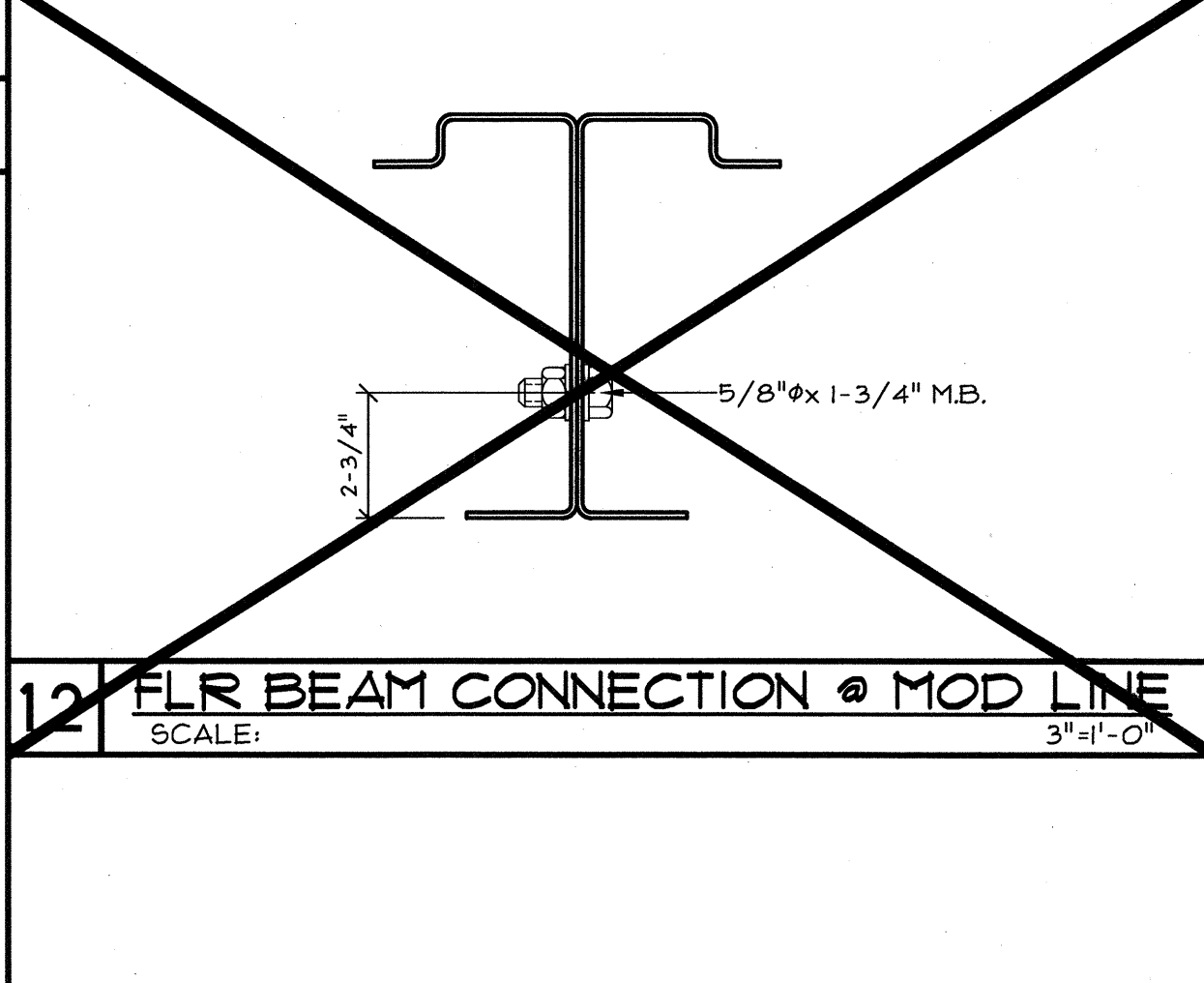
16 ROOF SHEATHING ATTACHMENT
SCALE: 3/8"=1'-0"



17 10" ROOF BEAM PENETRATION @ MOD-LINE
SCALE: 1/2"=1'-0"



SECTION AA



12 FLR BEAM CONNECTION @ MOD LINE
SCALE: 3/8"=1'-0"

CYS
REGISTERED PROFESSIONAL ENGINEER
No. 82030
EXP. 9/30/13
STATE OF CALIFORNIA

ENVIROPLEX, INC.
4777 E. CARPENTER ROAD STOCKTON, CA 95215, (209) 466-8000

RELOCATABLE RESTROOM BUILDINGS
FOR LA CANADA COLLEGE
SALMATEO COMMUNITY COLLEGE DISTRICT

STRUCTURAL CONNECTION DETAILS

REV / DATE:

JOB No.: 12-19
DRAWN BY: JM
DATE: 07-18-12

THIS MODULAR JOIST HAS BEEN ENGINEERED BY A REGISTERED STRUCTURAL ENGINEER AND PREVIOUSLY REVIEWED & APPROVED BY THE ARCHITECT, FIRE & LIFE SAFETY AND ACCESS COMPLIANCE SECTION

CONFIDENTIAL MATERIAL—THESE DOCUMENTS ARE THE PROPERTY OF AND ARE NOT TO BE REPRODUCED OR DISTRIBUTED WITHOUT FULL KNOWLEDGE AND WRITTEN CONSENT FROM ENVIROPLEX, INC.
© COPYRIGHT ENVIROPLEX, INC. (ALL DRAWINGS PREPARED BY ENVIROPLEX, INC.)

S4

I:\CAD\Projects\2012\12-000 - LA Canada - (1) 12x40 Restroom-storage\Drawings\LA Canada - S4.dwg, 8/16/2012 8:41:59 AM