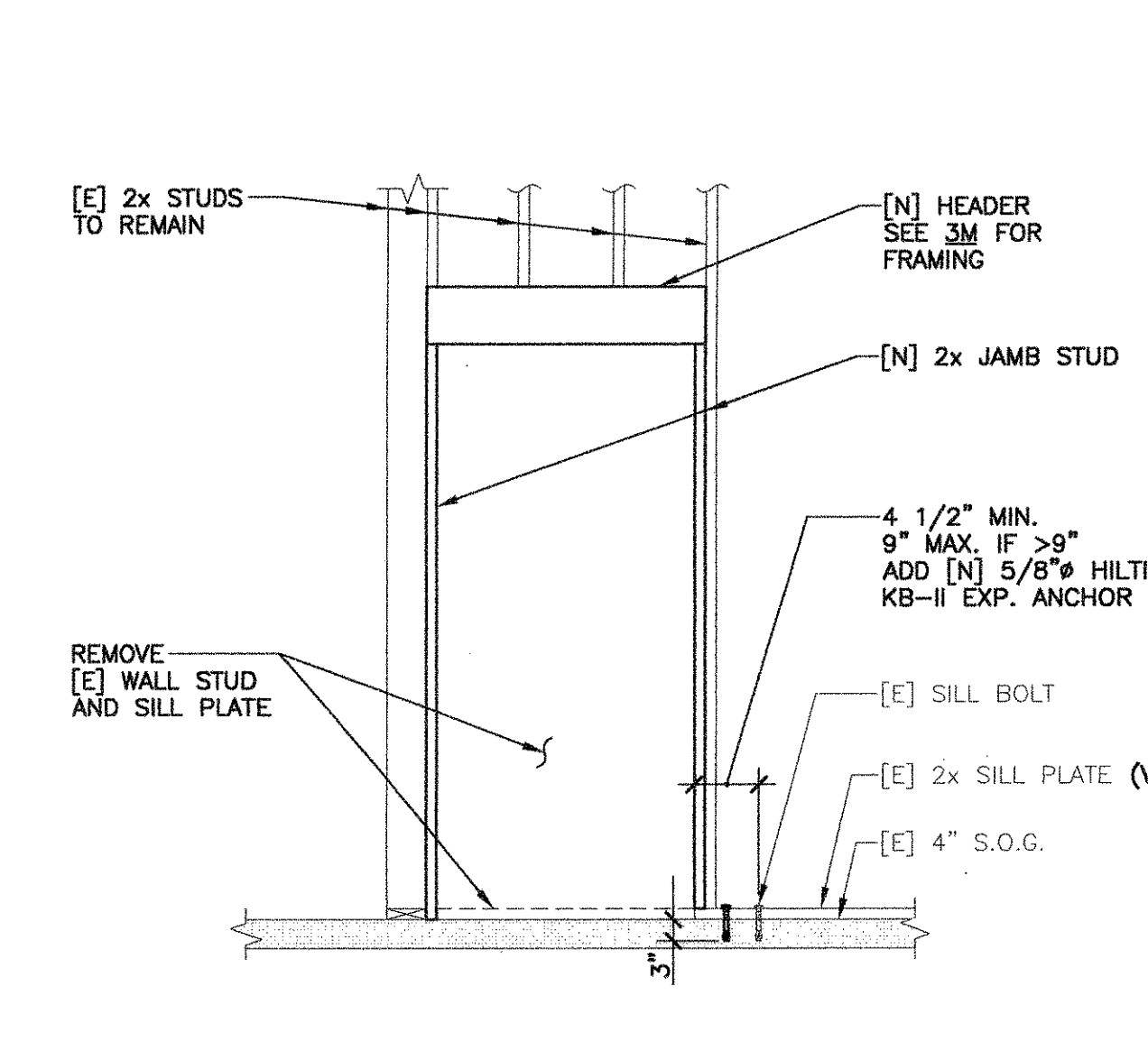
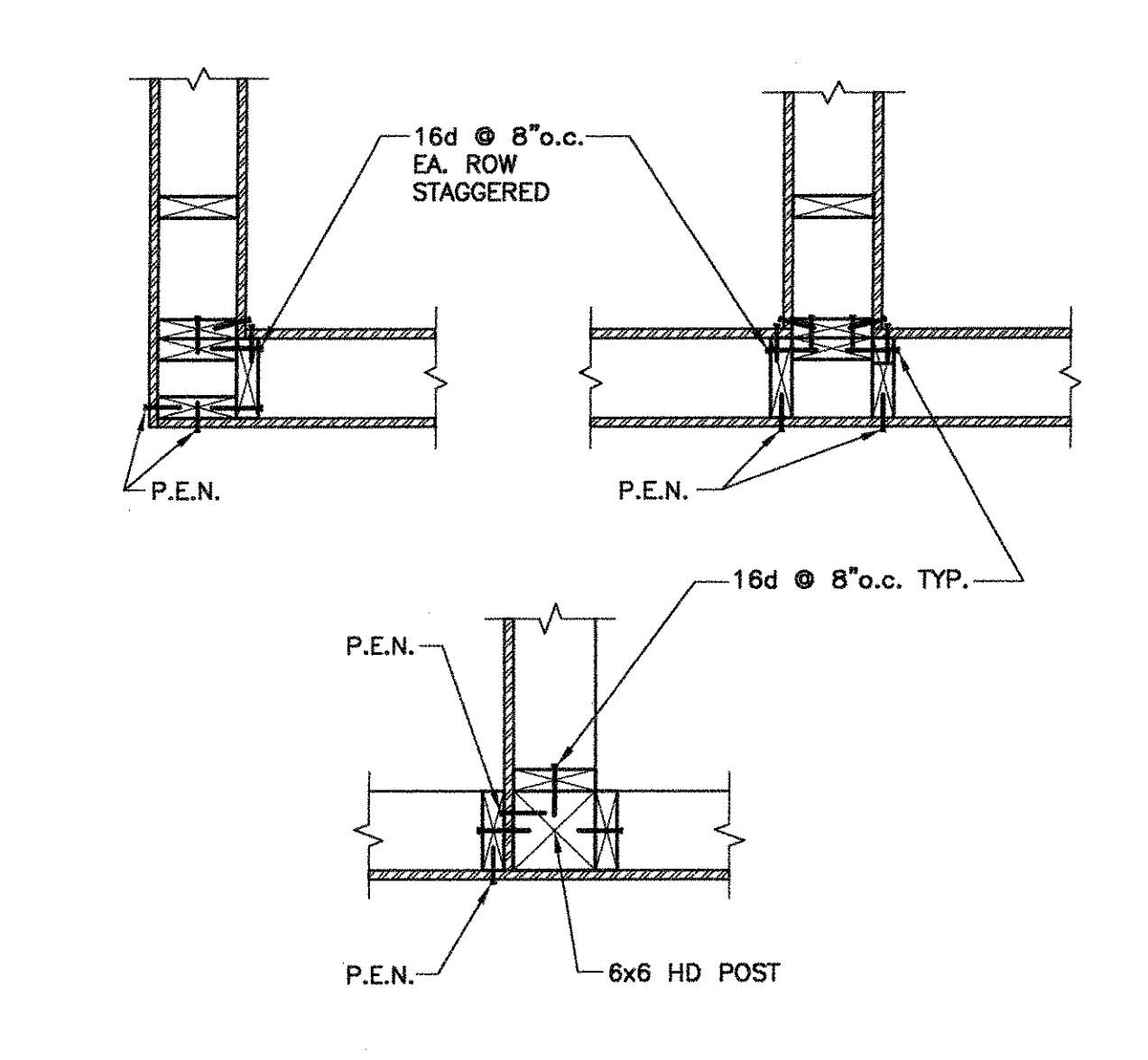
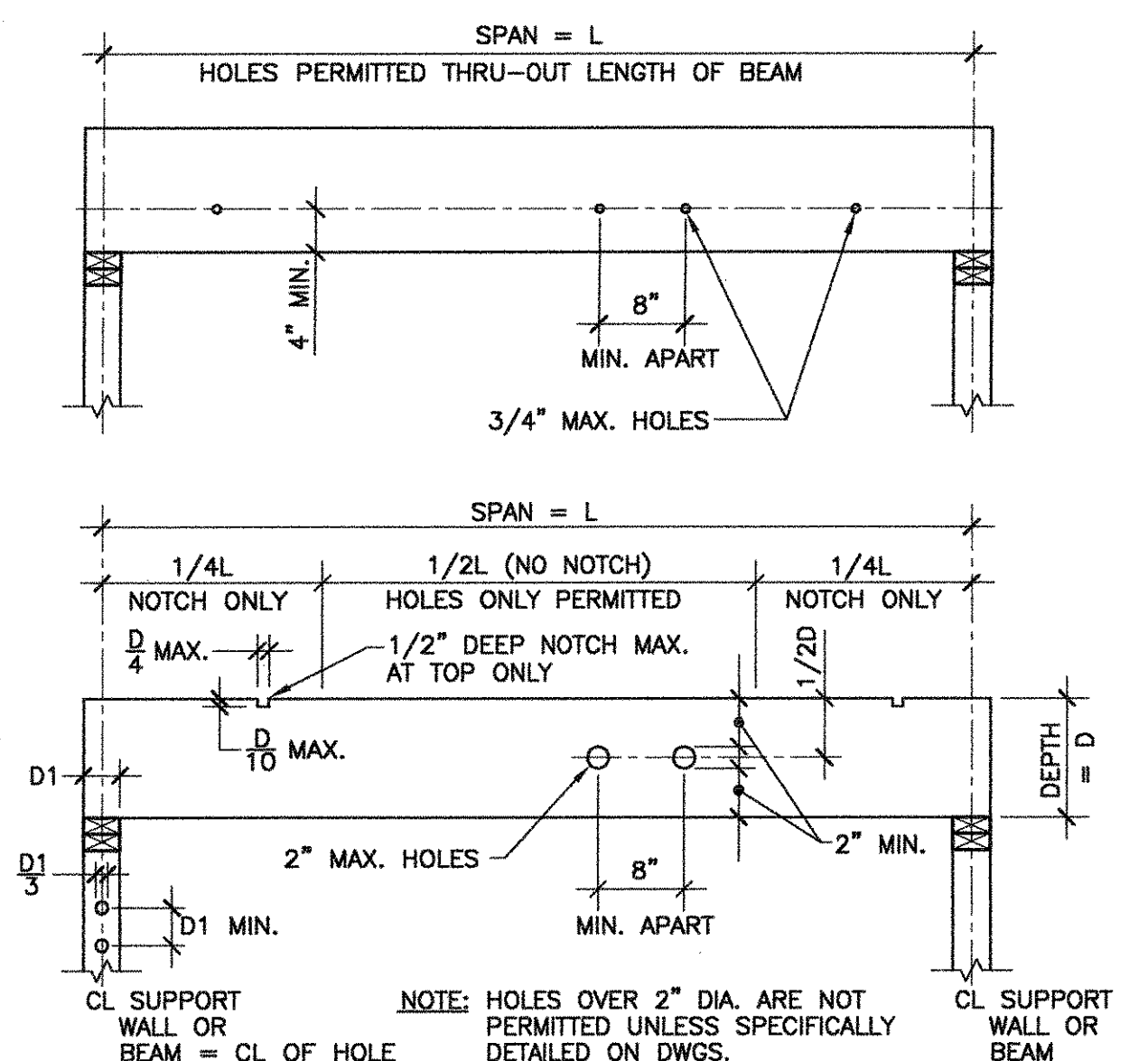
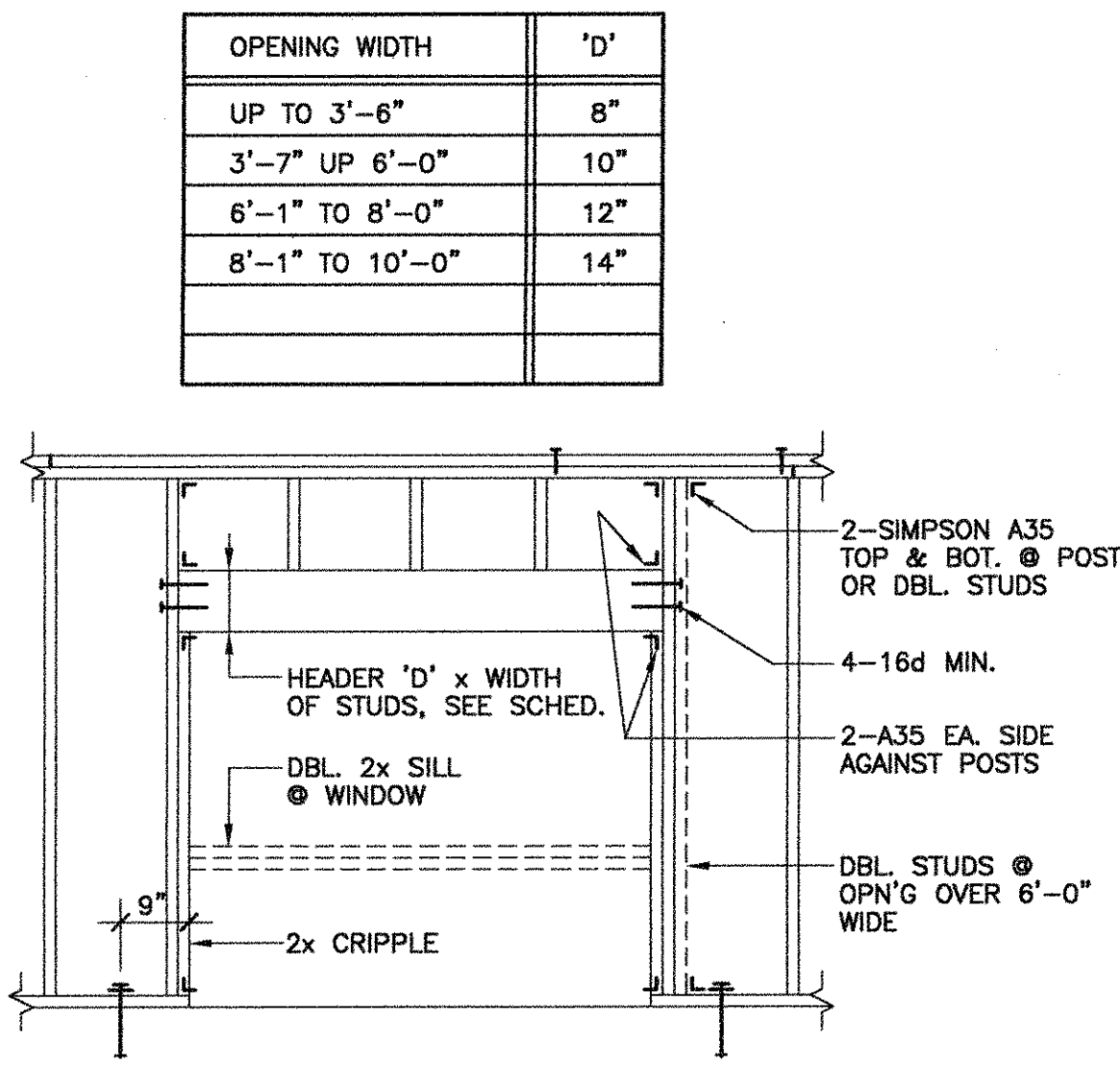
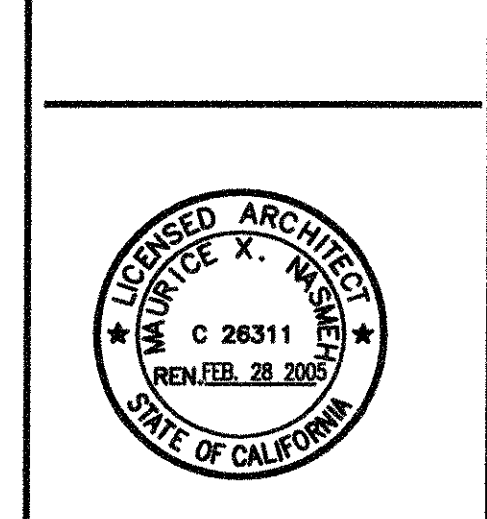


1. JOIST OR RAFTERS TO SIDES OF STUDS  
8-INCH JOIST OR LESS FOR EACH ADDITIONAL 4 INCHES IN DEPTH OF JOIST  
2. BRIDGING TO JOIST, TOENAIL EACH END  
a. BLOCKING BETWEEN JOISTS OR RAFTERS TO JOISTS OR RAFTERS—TOENAILS EACH SIDE, EACH END  
b. BLOCKING BETWEEN STUDS, EACH END  
3. 1"x6" SUBFLOOR OR LESS TO EACH JOIST, FACE NAIL  
4. WIDER THAN 1"x6" SUBFLOOR TO EACH JOIST, FACE NAIL  
5. 2" SUBFLOOR TO JOIST OR GIRDER, BLIND AND FACE NAIL  
6. SOLE PLATE TO JOIST OR BLOCKING, TYPICAL FACE NAIL  
SOLE PLATE TO JOIST OR BLOCKING, AT BRACED WALL PANELS  
7. TOP PLATE TO STUDS, END NAIL  
8. STUD TO SOLE PLATE  
9. DOUBLE STUDS, FACE NAIL  
10. DOUBLE TOP PLATES, TYPICAL FACE NAIL  
DOUBLE TOP PLATES, LAP SPLICE  
11. BLOCKING BETWEEN JOISTS OR RAFTERS TO TOP PLATE, TOENAIL  
12. RM JOIST TO TOP PLATE, TOENAIL  
13. TOP PLATES, LAPS AND INTERSECTIONS, FACE NAIL  
14. CONTINUOUS HEADER, TWO PIECES  
15. CEILING JOISTS TO PLATE, TOENAIL  
16. CONTINUOUS HEADER TO STUD, TOENAIL  
17. CEILING JOISTS, LAPS OVER PARTITIONS, FACE NAIL  
18. CEILING JOISTS TO PARALLEL RAFTERS, FACE NAIL  
19. JOIST OR RAFTERS AT ALL BEARINGS—TOENAILS, EACH SIDE  
20. 1" BRACE TO EACH STUD AND PLATE, FACE NAIL  
21. 1"x6" SHEATHING OR LESS TO EACH BEARING, FACE NAIL  
22. WIDER THAN 1"x6" SHEATHING TO EACH BEARING, FACE NAIL  
23. BUILT-UP CORNER STUDS



**Sugimura & Associates Architects**  
 Architecture • Interiors  
 Landscape Architecture  
 2155 South Bascom Ave., Suite 200  
 Campbell, CA 95008  
 408-879-0600 Fx 408-377-6066  
 COPYRIGHT © 2003 Sugimura & Associates/Architects



**Rinne & Peterson**  
 STRUCTURAL ENGINEERS  
 1111 Ave. Aracoma, Suite 100, Costa  
 Mesa, CA 92626  
 714-441-3444  
 FAX 714-441-3441

REGISTRATION STAMP  
 DIV. OF CONSTRUCTION  
 OFFICE OF REGULATION SERVICES  
 APP. NO. 01-100946  
 AC FILE NO. 01-100946  
 DATE  
 DIVISION OF THE STATE ARCHITECT  
 Regional Office  
 3300 COLLEGE DRIVE  
 SAN BRUNO, CA 94062

**PARTIAL FOUNDATION PLAN AND DETAILS**  
**SKYLINE COLLEGE SWING SPACE**  
**PERMIT PACKAGE #3**  
**SKYLINE COLLEGE**  
**3300 COLLEGE DRIVE**  
**SAN BRUNO, CA 94066**

REVISIONS

NO.	ITEM	DATE
1	CONSTRUCTION ISSUE	6/10/04
2	CONFORM SET	9/9/04
3	As-Built	2/10/05

CLIENT APPROVAL:  
 DRAWN BY: **EC**  
 CHECKED BY: **LH**  
 JOB NO: 2145.002  
 DATE: 06 FEB. 2004