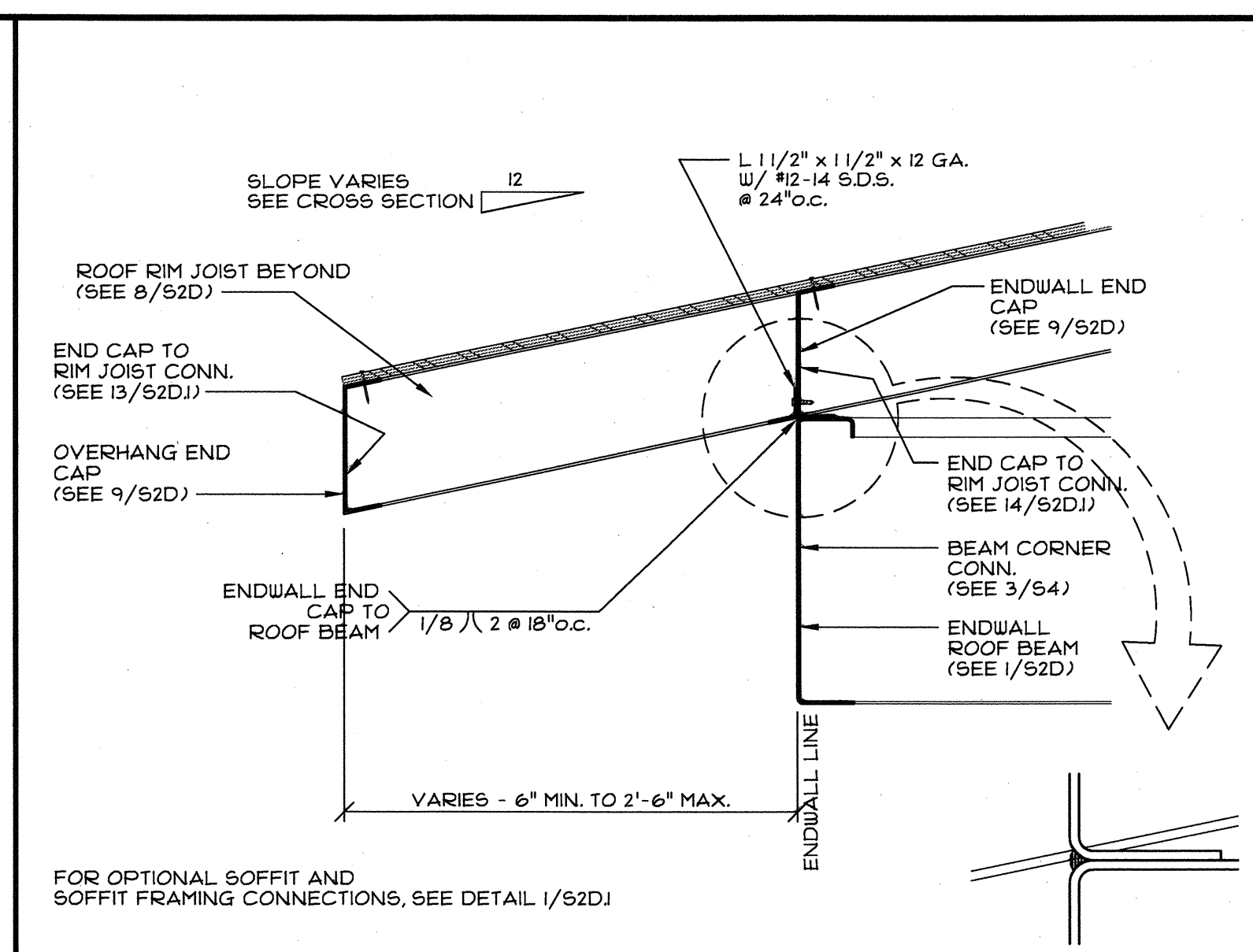
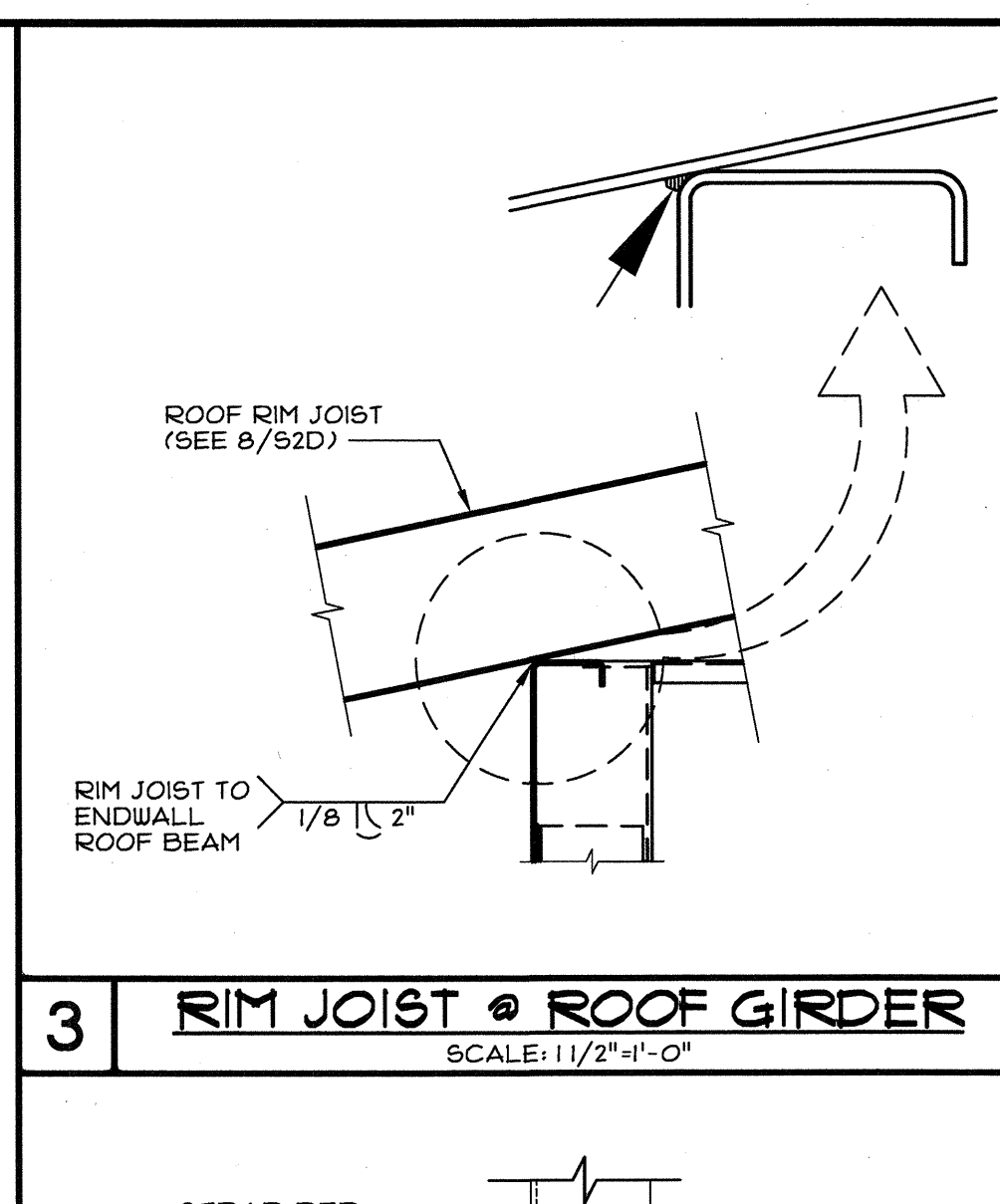


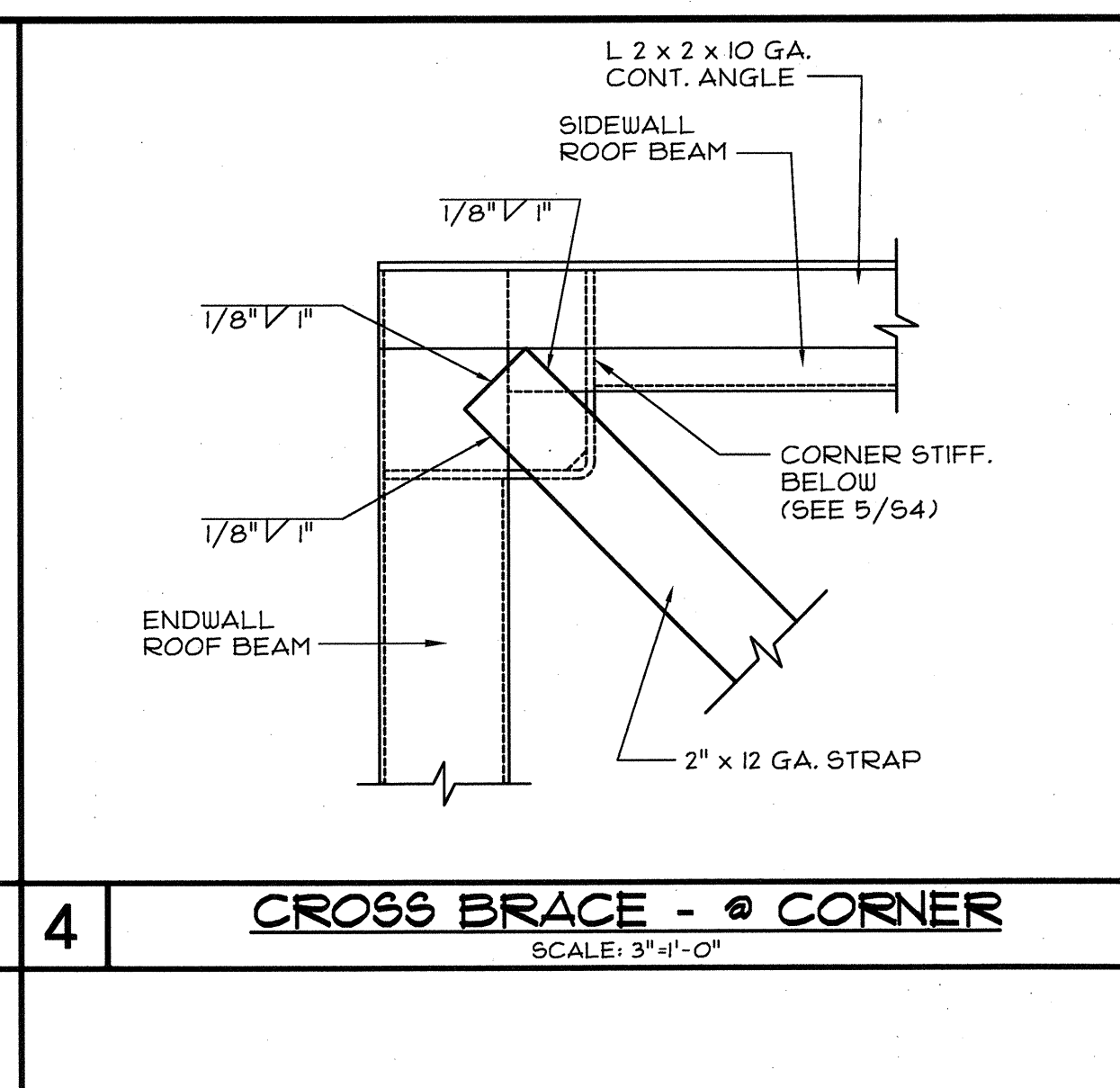
1 EAVE SECTION - 5'-0" OVERHANG
SCALE: 1/2"=1'-0"



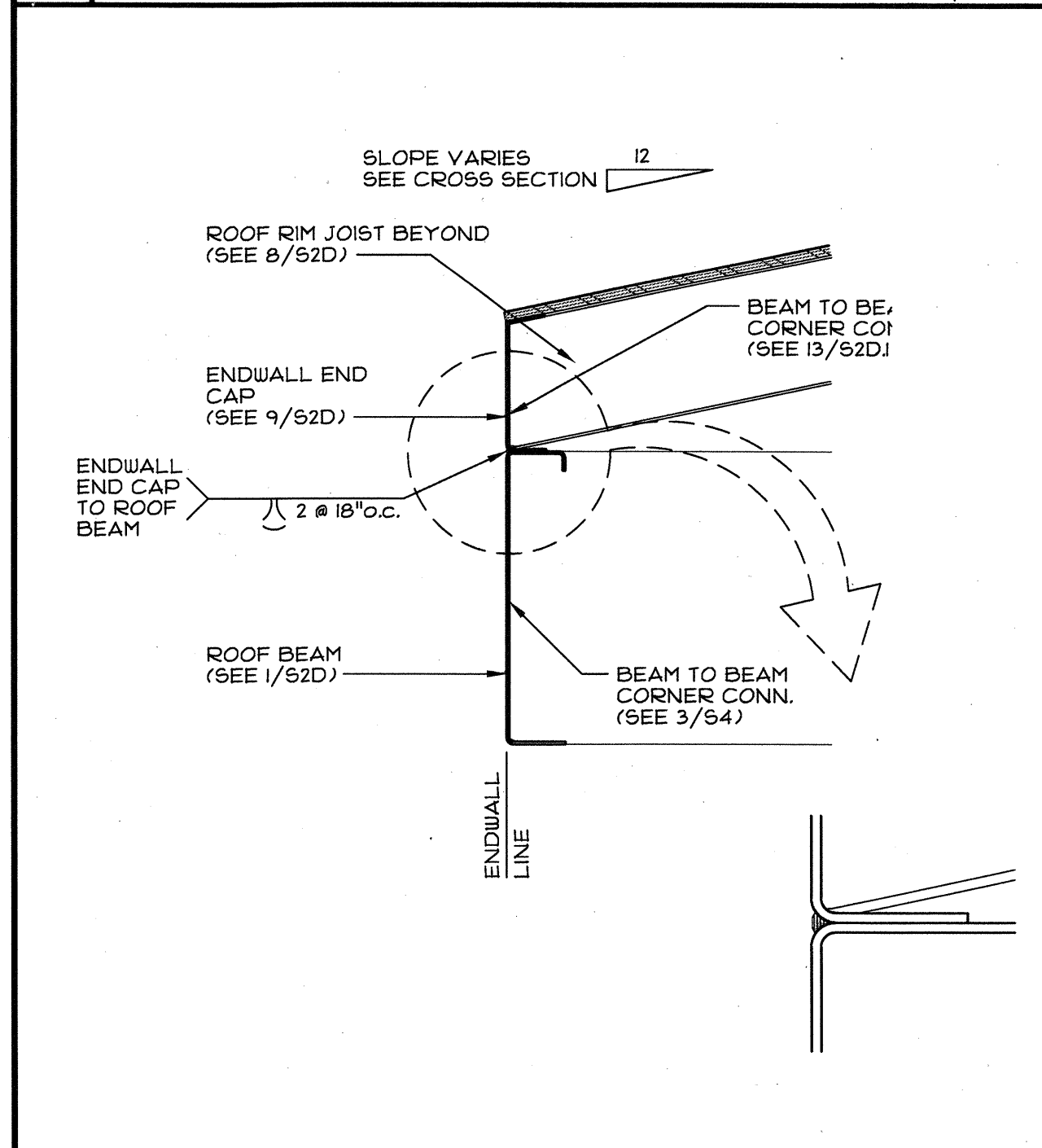
2 EAVE SECTION - 2'-6" OVERHANG
SCALE: 1/2"=1'-0"



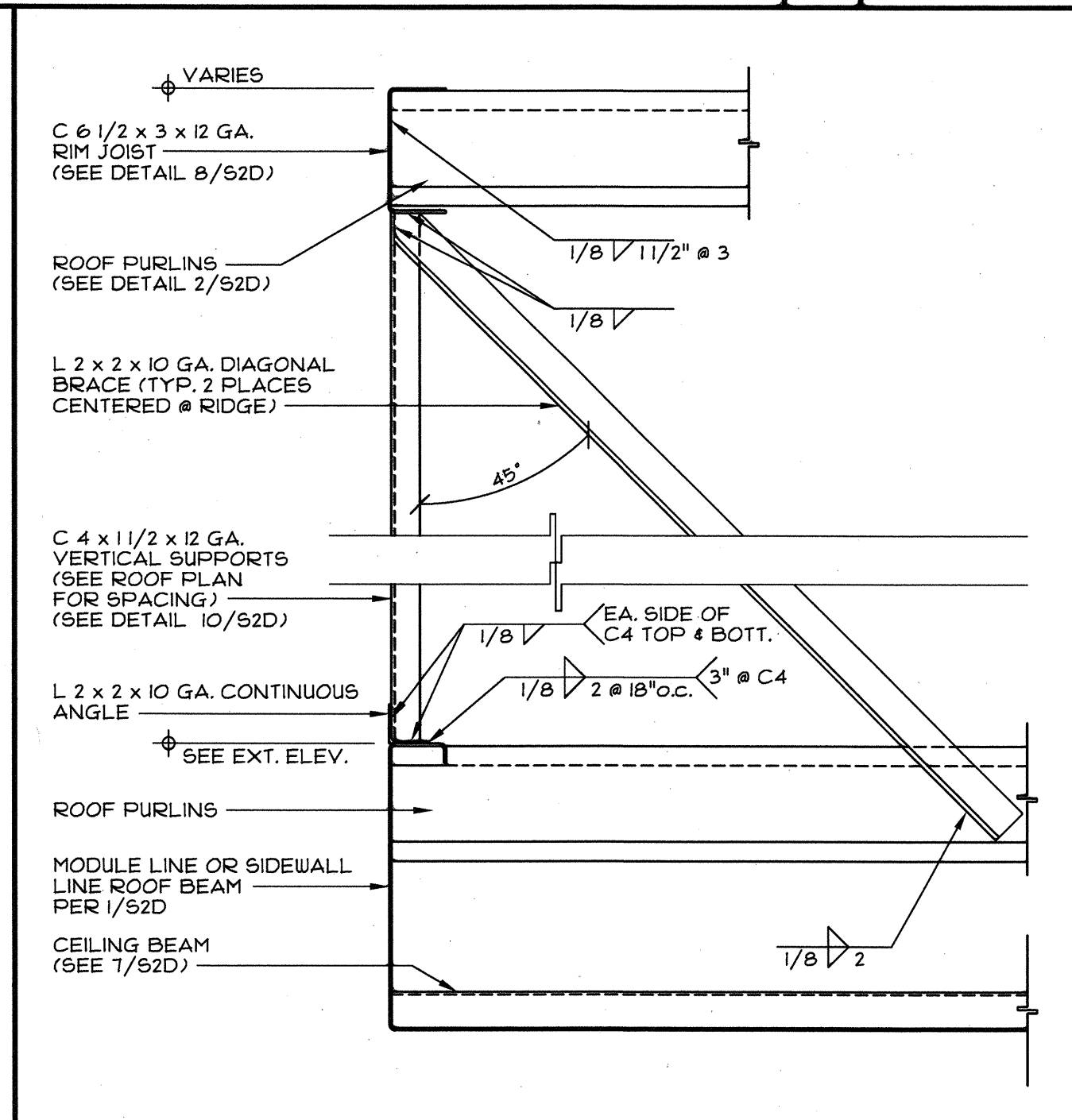
3 RIM JOIST @ ROOF GIRDER
SCALE: 1/2"=1'-0"



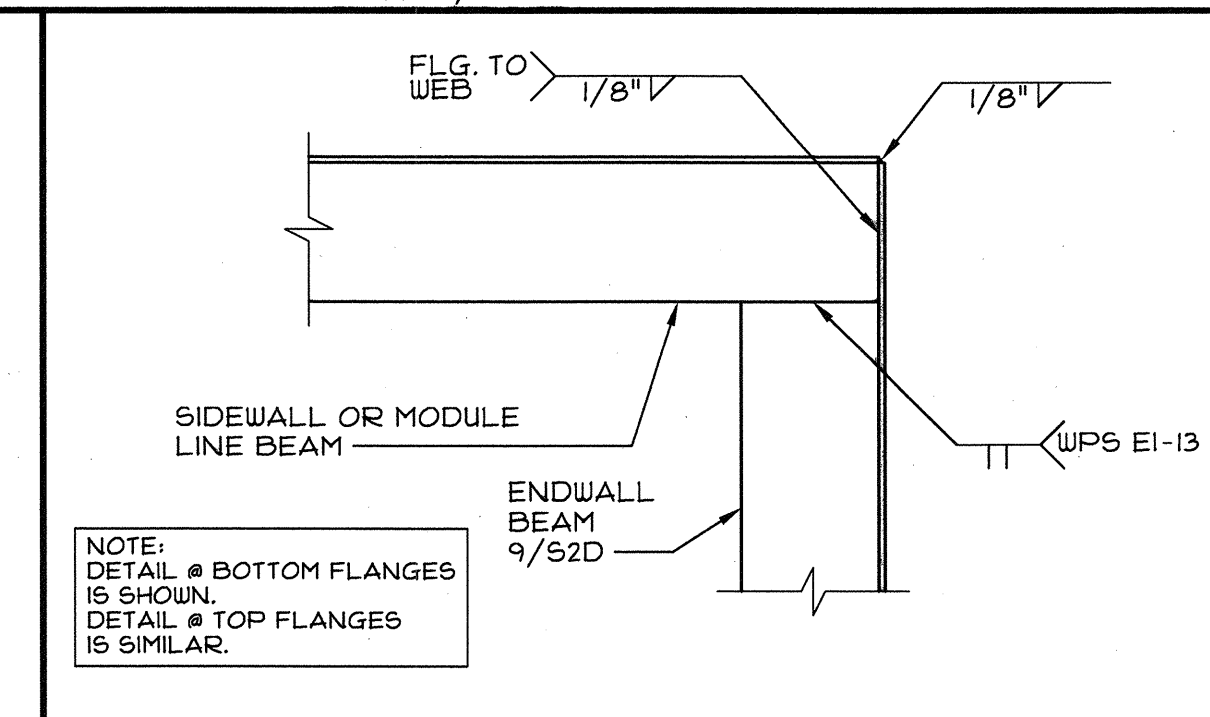
4 CROSS BRACE - @ CORNER
SCALE: 3/4"=1'-0"



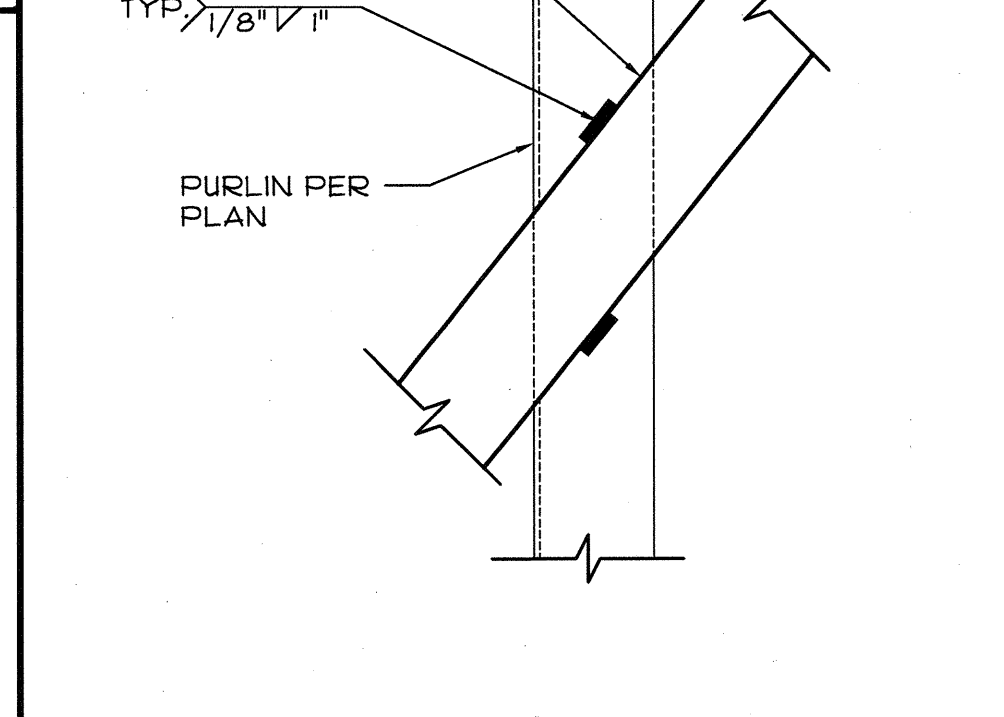
5 EAVE SECTION - NO OVERHANG
SCALE: 1/2"=1'-0"



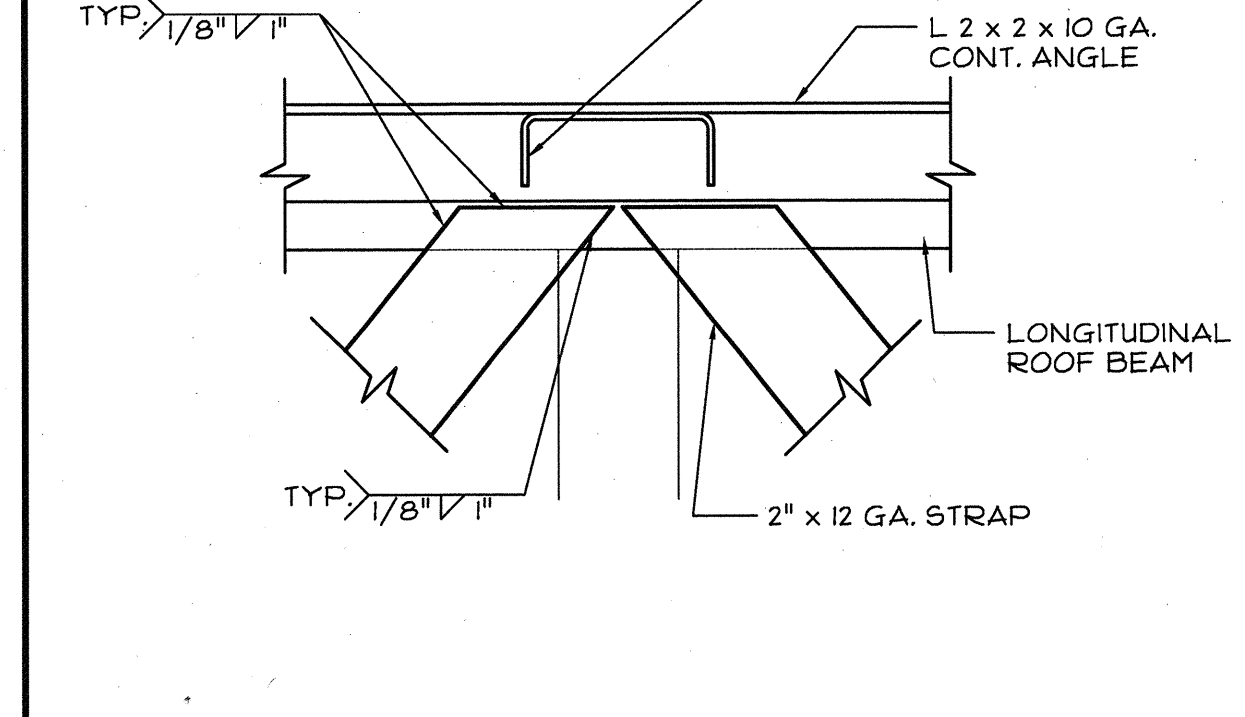
6 RIDGE LINE DIAGONAL BRACE
SCALE: 1/2"=1'-0"



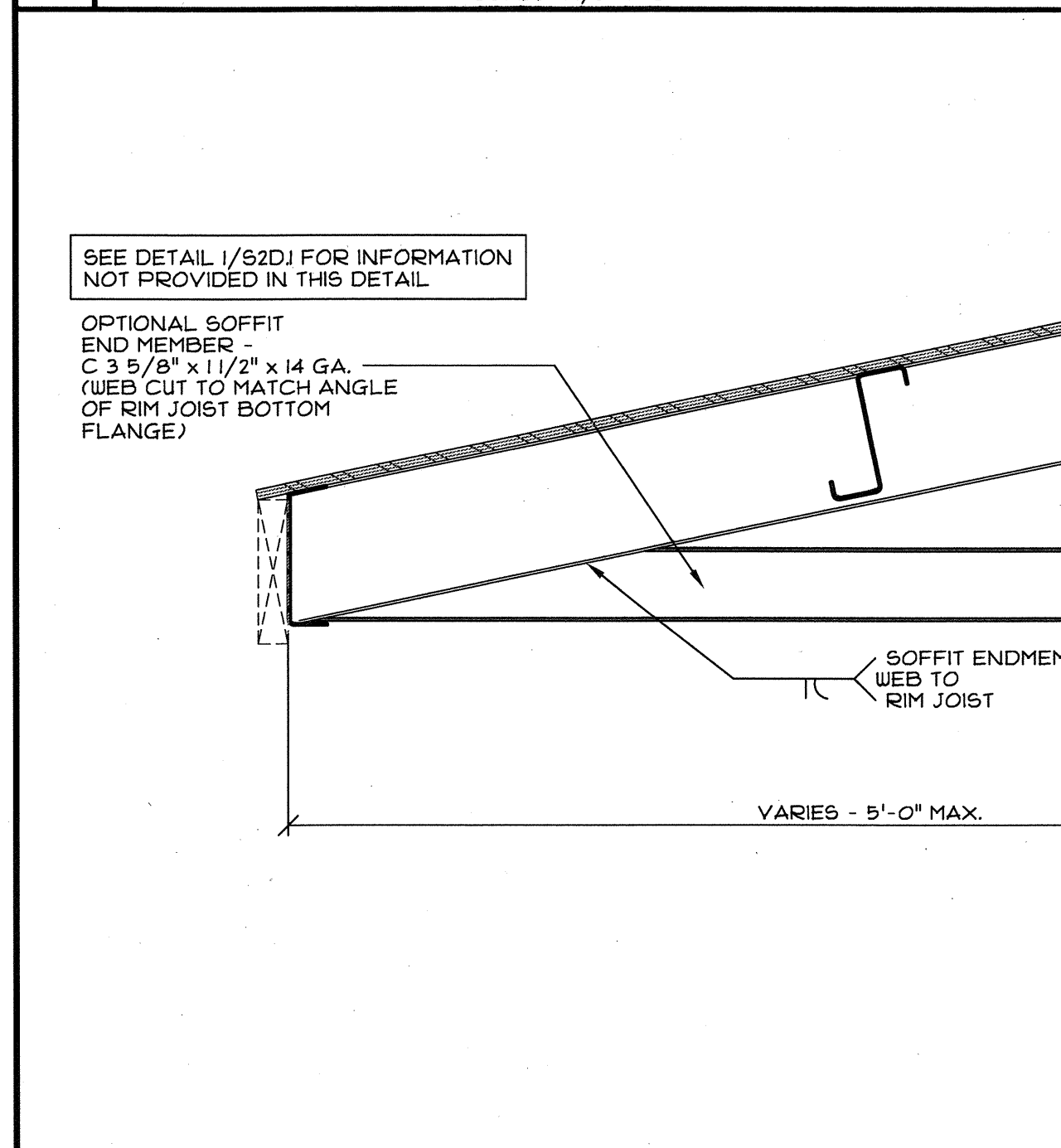
7 BEAMS @ CORNERS
SCALE: 3/4"=1'-0"



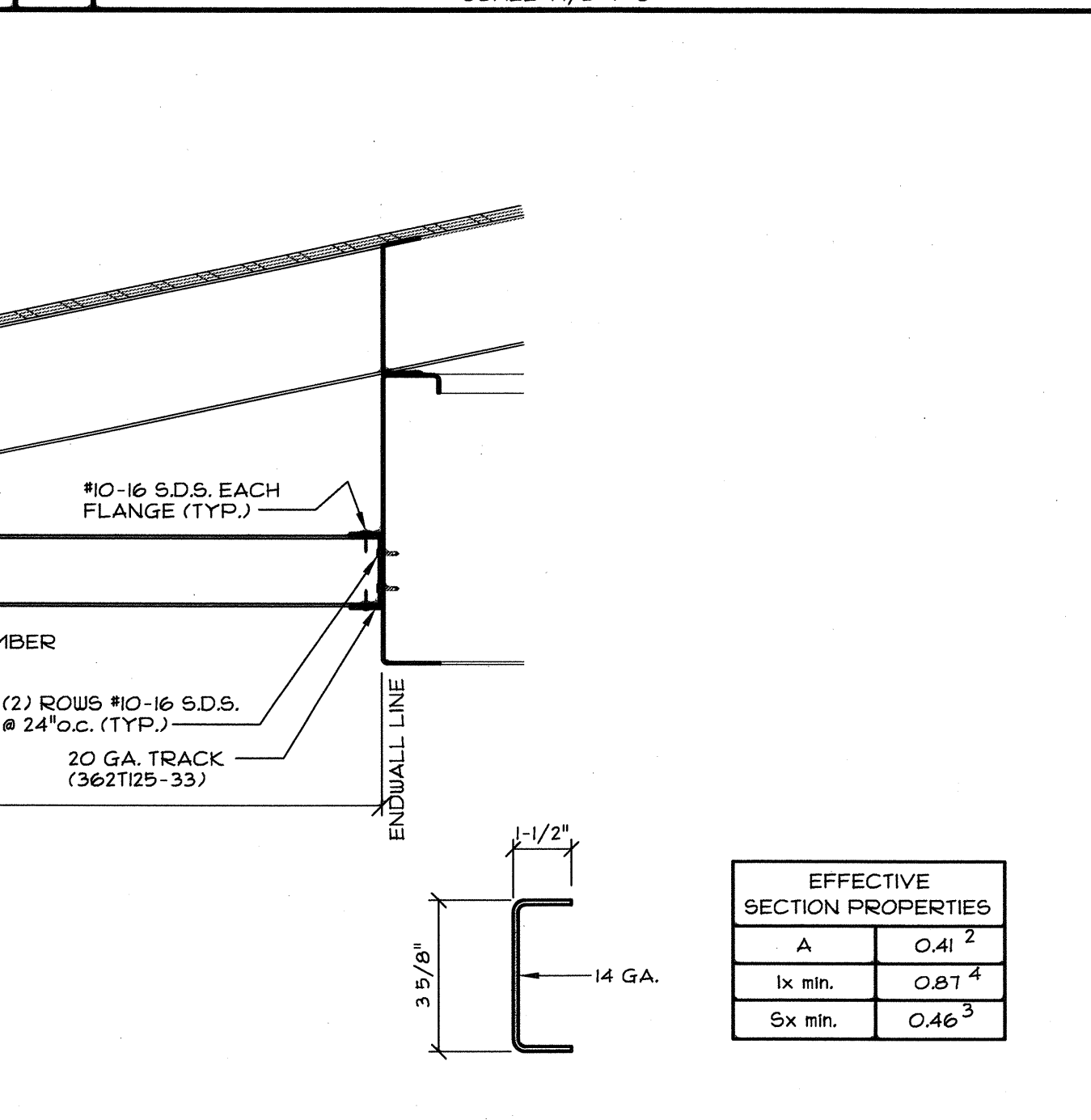
8 CROSS BRACE - @ PURLIN
SCALE: 3/4"=1'-0"



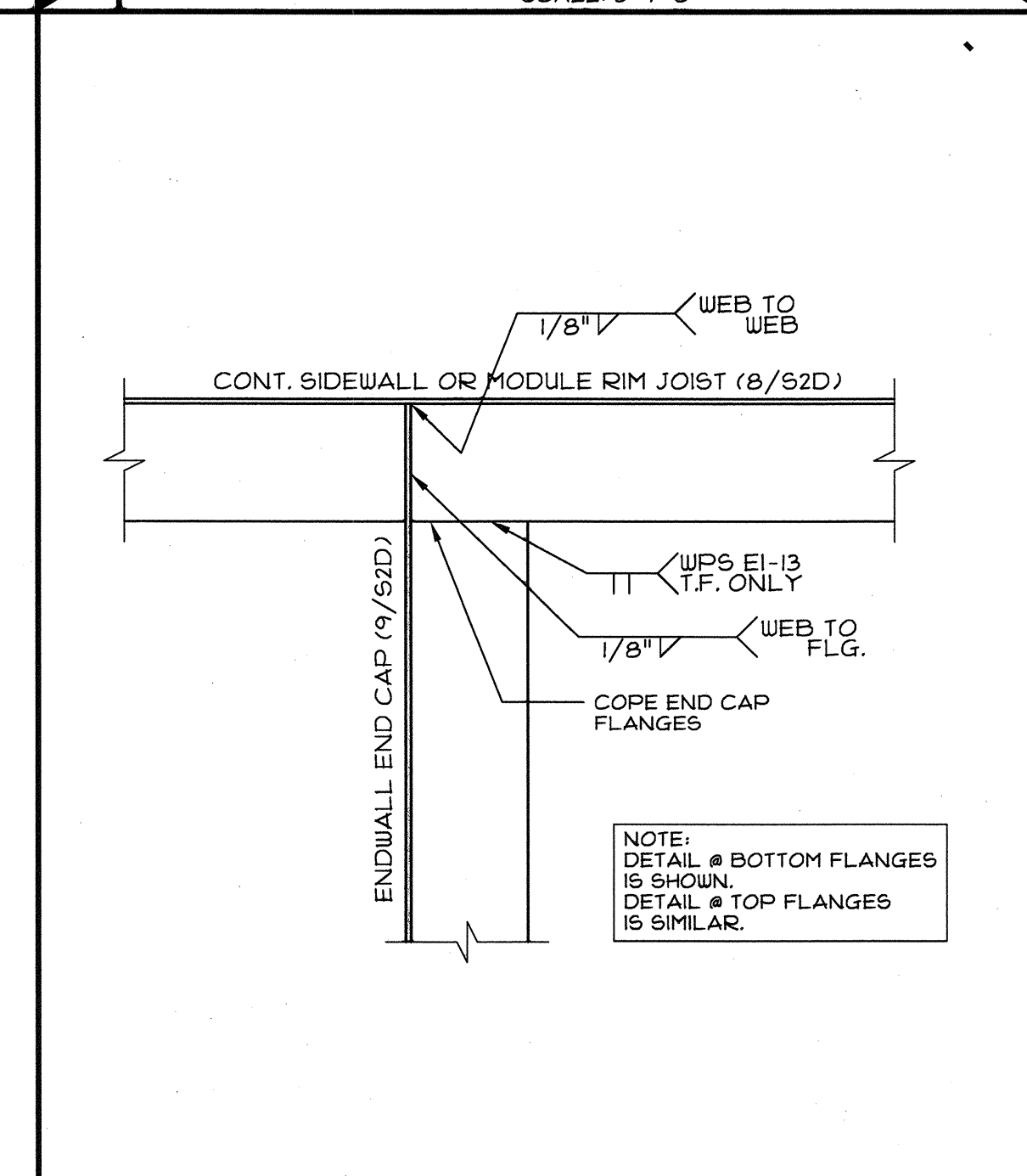
9 CROSS BRACE - @ VERT. SUPPORT
SCALE: 3/4"=1'-0"



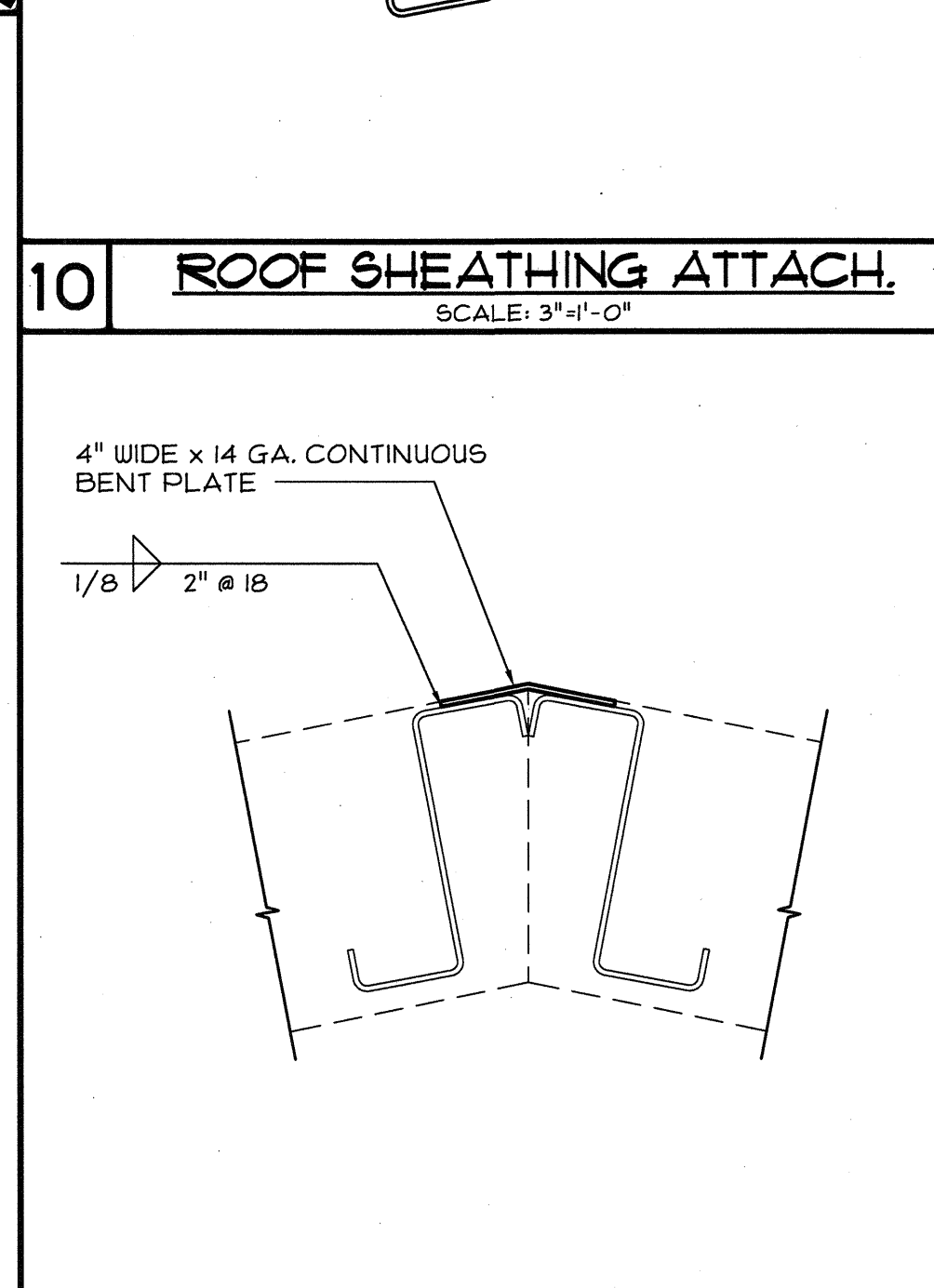
12 ENDMEMBER FOR SOFFIT
SCALE: 1/2"=1'-0"



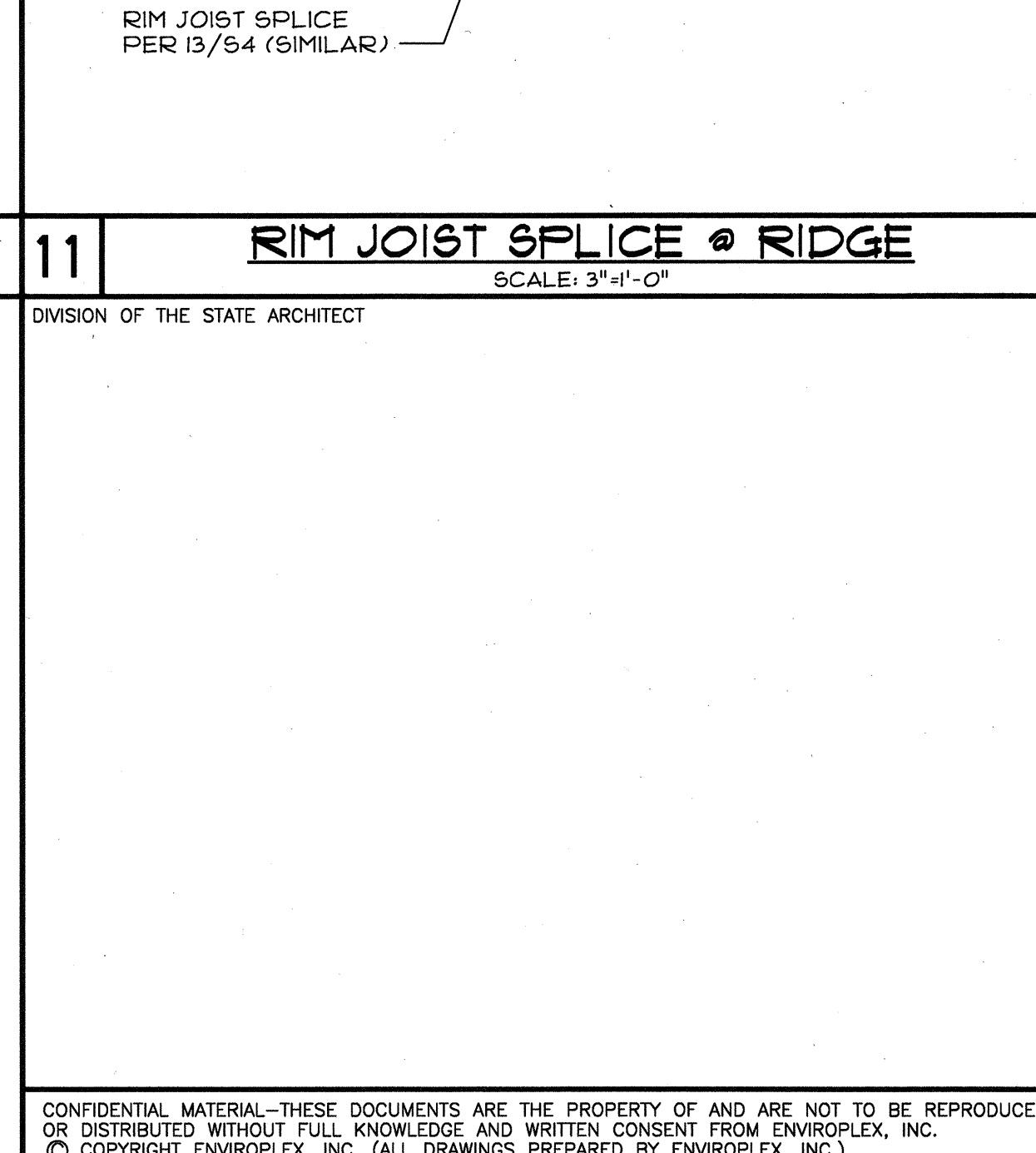
13 RIM JOIST CONN. @ MODULE LINE
SCALE: 3/4"=1'-0"



14 END CAP TO RIM JOIST
SCALE: 3/4"=1'-0"



10 ROOF SHEATHING ATTACH.
SCALE: 3/4"=1'-0"



11 RIM JOIST SPLICE @ RIDGE
SCALE: 3/4"=1'-0"

EFFECTIVE SECTION PROPERTIES	
A	0.41 ²
I _x min.	0.87 ⁴
S _x min.	0.46 ³

CYS
STRUCTURAL ENGINEERS INC.
1760 Creekside Oak Dr., Suite 280
Sacramento, CA 95833
(916) 926-1500 Fax
www.cyseng.com

REGISTERED PROFESSIONAL ENGINEER
STRUCTURAL
STATE OF CALIFORNIA
No. 82028
EXP. 9/30/13

THESE DRAWINGS ARE PRELIMINARY AND NOT FOR CONSTRUCTION UNLESS STAMPED & SIGNED BY THE ENGINEER OF RECORD.

ENVIROPLEX, INC.
4777 E. CARPENTER ROAD STOCKTON, CA 95215, (209) 466-8000

RELOCATABLE RESTROOM BUILDINGS
FOR LA CANADA COLLEGE
SANTA MATEO COMMUNITY COLLEGE DISTRICT

VARIABLE SLOPE ROOF STRUCTURAL DETAILS

12

REV / DATE:	
JOB No.:	12-19
DRAWN BY:	JM
DATE:	07-18-12

THIS MODULAR BLDG. HAS BEEN ENGINEERED BY A REGISTERED STRUCTURAL ENGINEER AND PREVIOUSLY REVIEWED & APPROVED BY THE DIVISION OF THE STATE ARCHITECT, FIRE & LIFE SAFETY AND ACCESS COMPLIANCE SECTION.

CONFIDENTIAL MATERIAL—THESE DOCUMENTS ARE THE PROPERTY OF AND ARE NOT TO BE REPRODUCED OR DISTRIBUTED WITHOUT FULL KNOWLEDGE AND WRITTEN CONSENT FROM ENVIROPLEX, INC.
© COPYRIGHT ENVIROPLEX, INC. (ALL DRAWINGS PREPARED BY ENVIROPLEX, INC.)

APPROVALS

S2D.1

I:\CAD\Projects\2012\12-000 - LA Canada - (1) 12x40 Restroom-storage\Drawings\LA Canada - S2D-1.dwg, 8/16/2012 10:39:36 AM