

KEY NOTES

XXXXX

REV	DATE	BY	DESCRIPTION

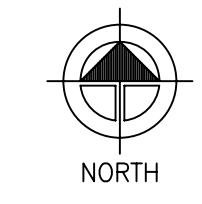
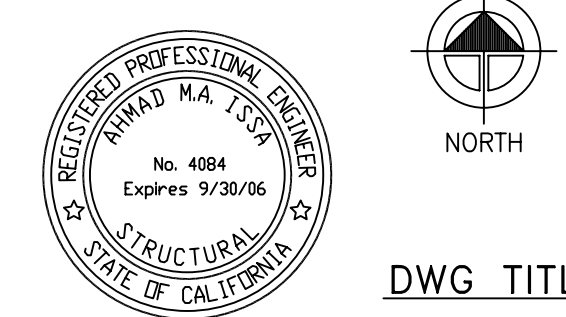
555 HOWARD STREET
SAN FRANCISCO
CALIFORNIA 94105
TEL (415) 243-4091
FAX (415) 243-0241
Copyright © 2003

Canada College Modernization
CENTRAL PLANT RENOVATION
San Mateo County Community College District

PLANS AND ELEVATIONS

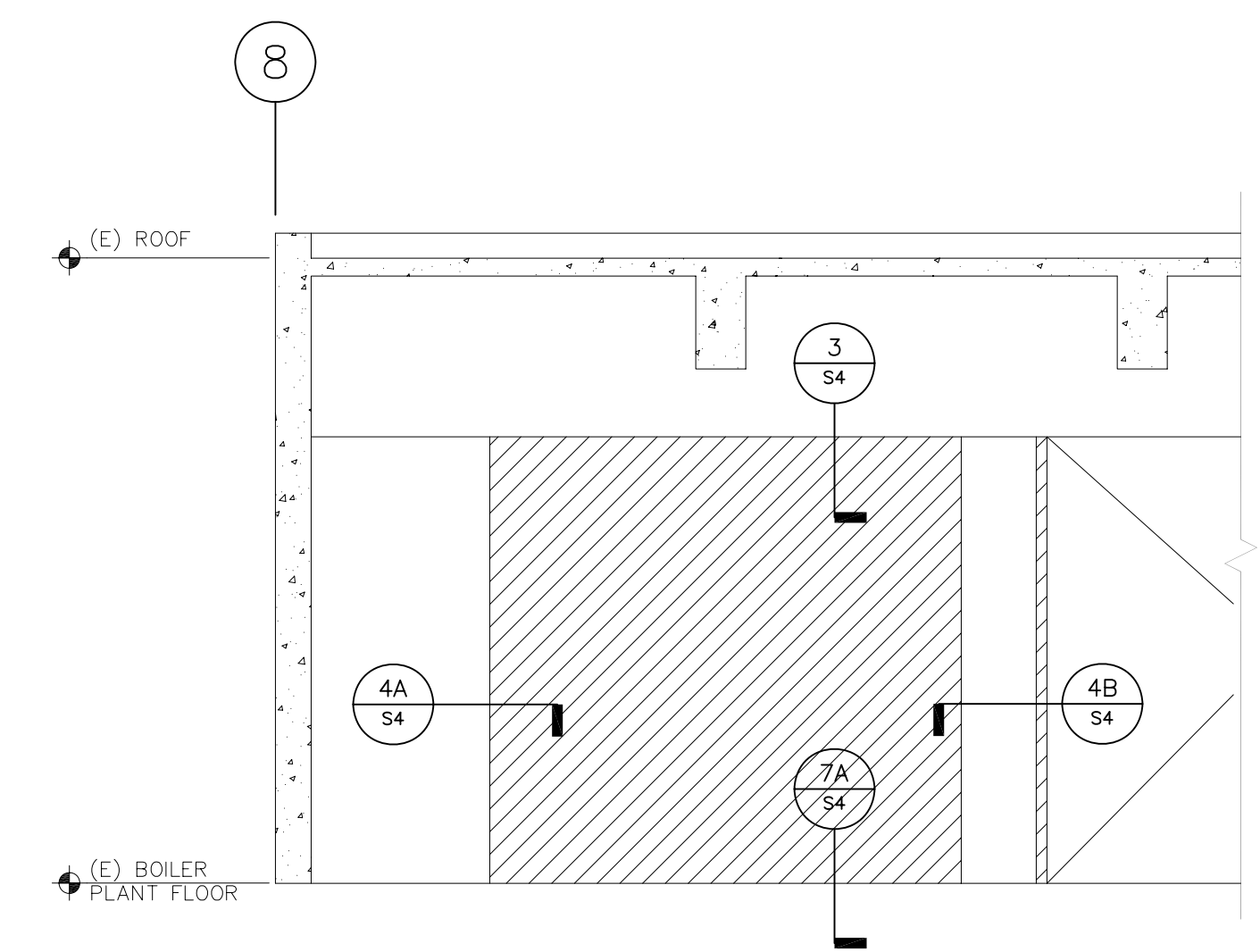
SCALE	AS SHOWN
PROJECT NO.	04321.00
DRAWN BY	JSS
CHECKED BY	FF
DATE	6/3/2005
LAYOUT TAB	
REVISIONS	
FILE NAME	

AS BUILT

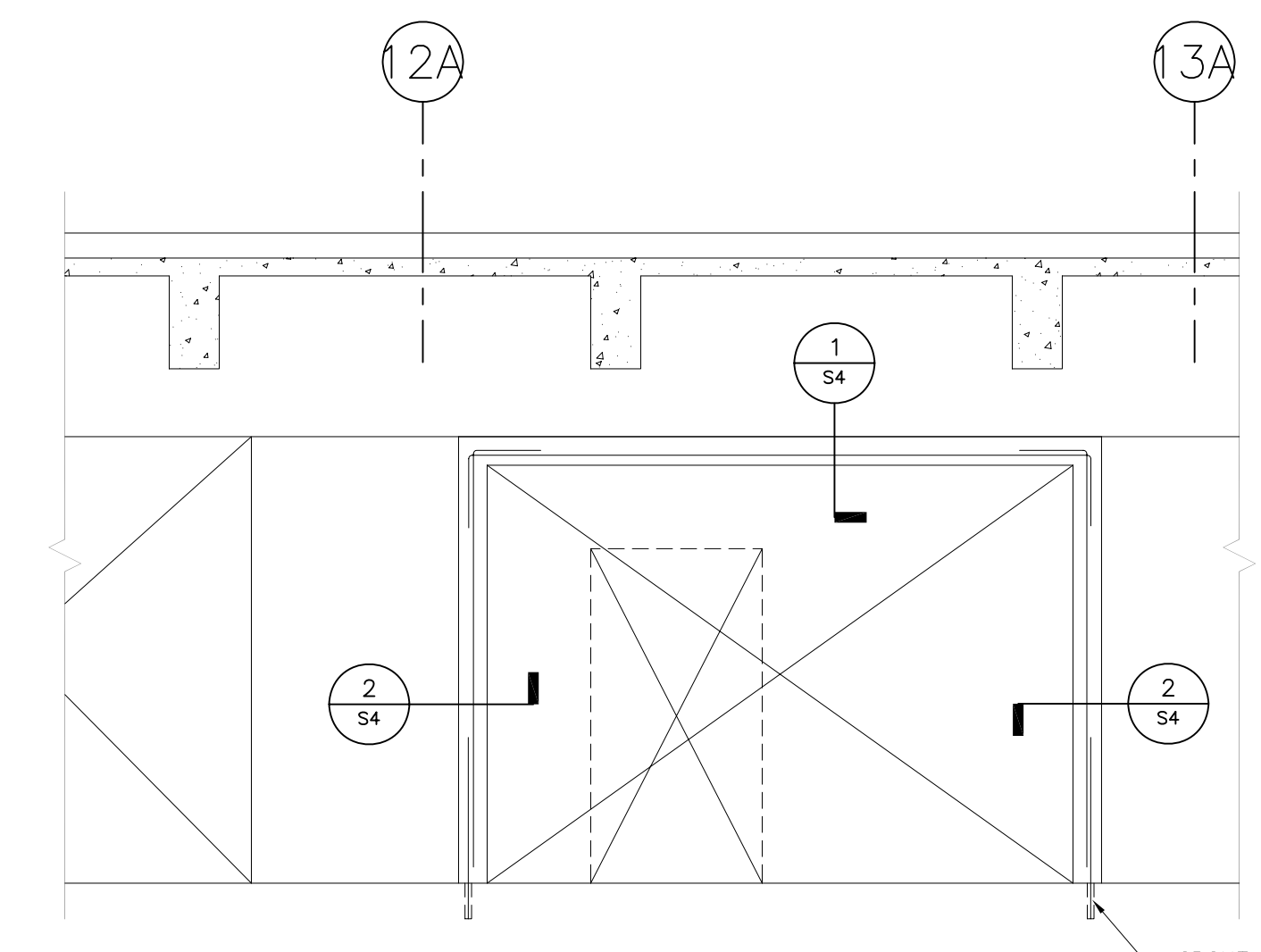


DWG TITLE

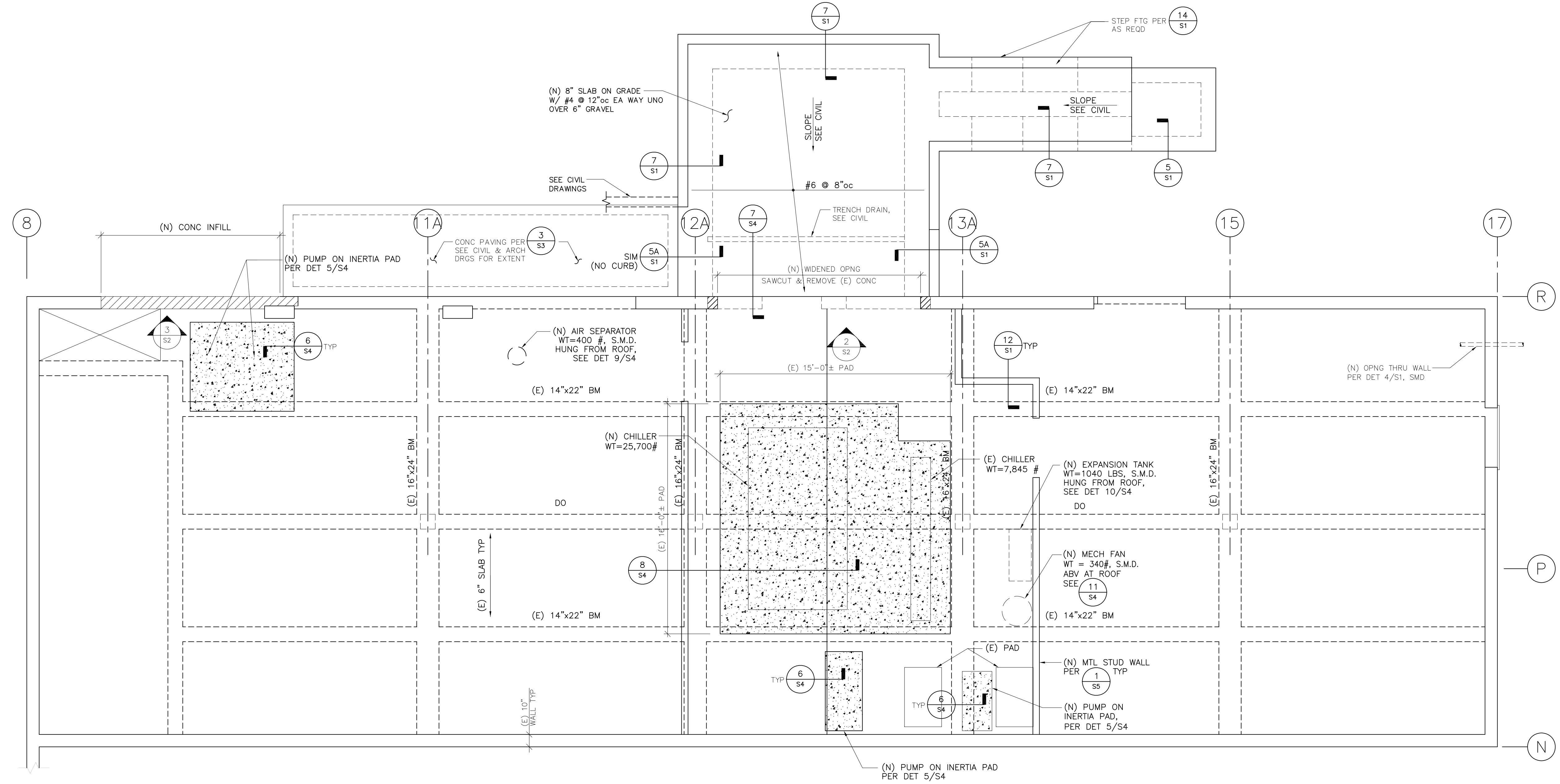
S2



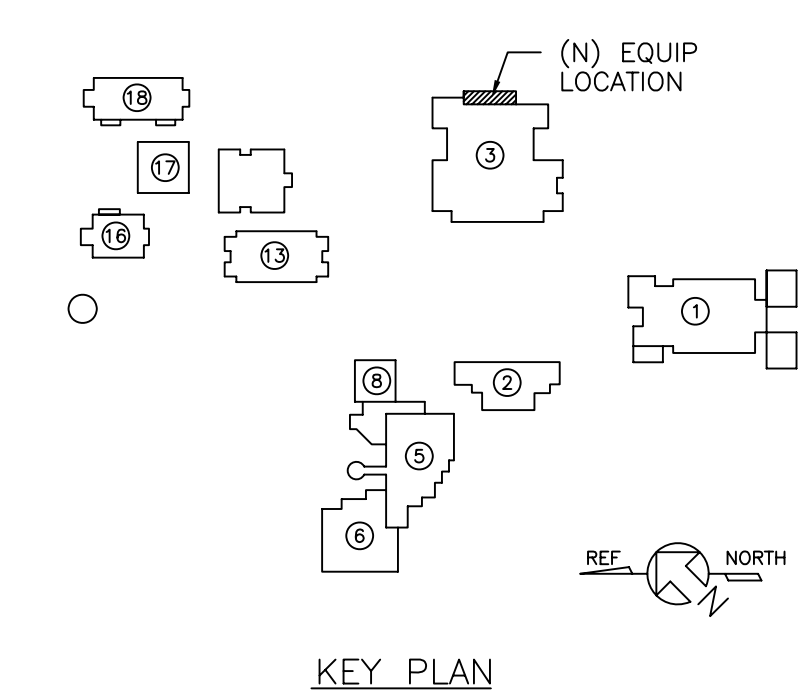
3 WALL ELEVATION
1/4" = 1'-0"



2 WALL ELEVATION
1/4" = 1'-0"



1 CENTRAL PLANT PLAN
NOTE: SEE CIVIL FOR TOP OF WALL, CURB, AND PAVING ELEVATIONS.
1/4" = 1'-0"



KEY PLAN