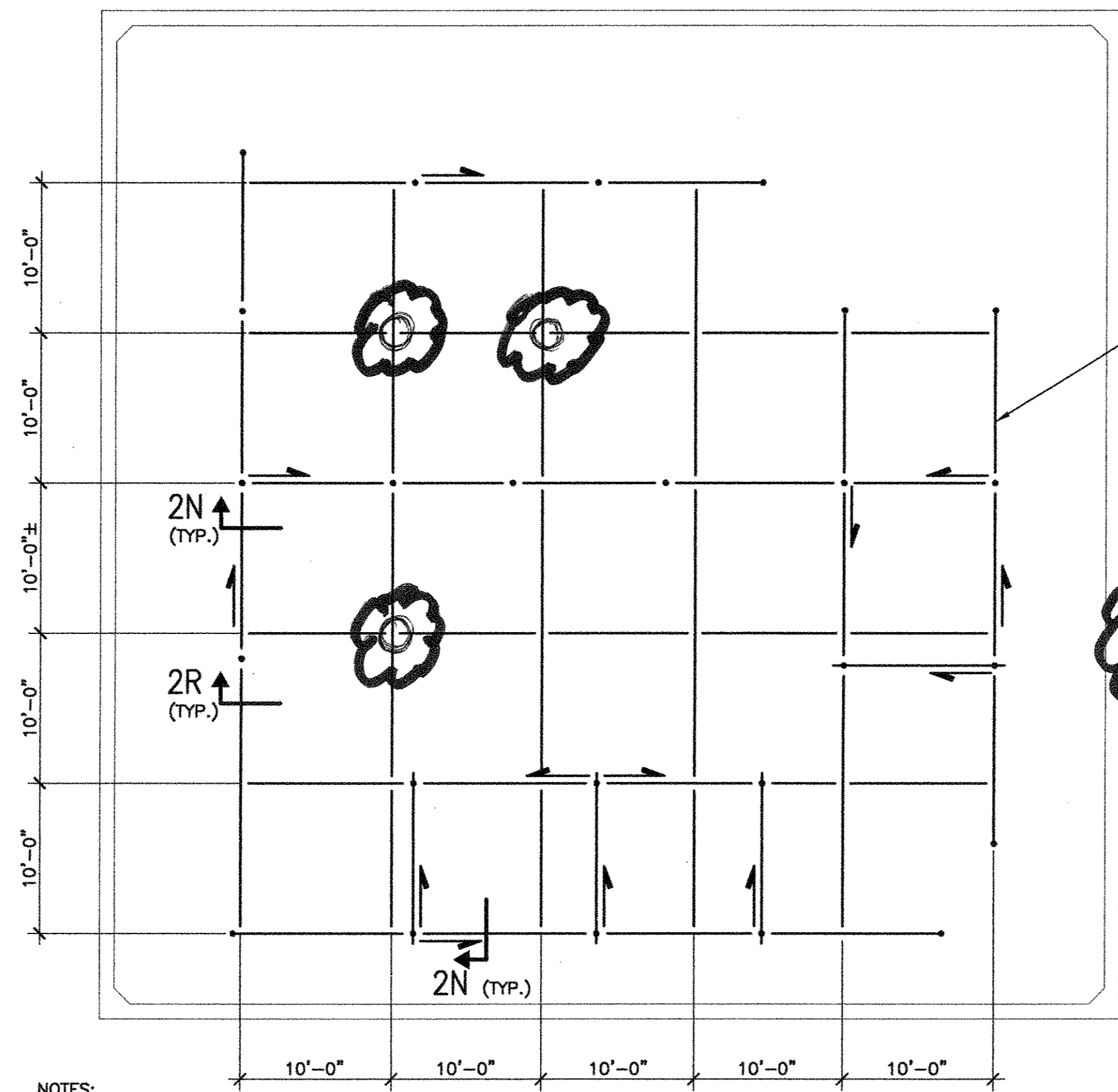
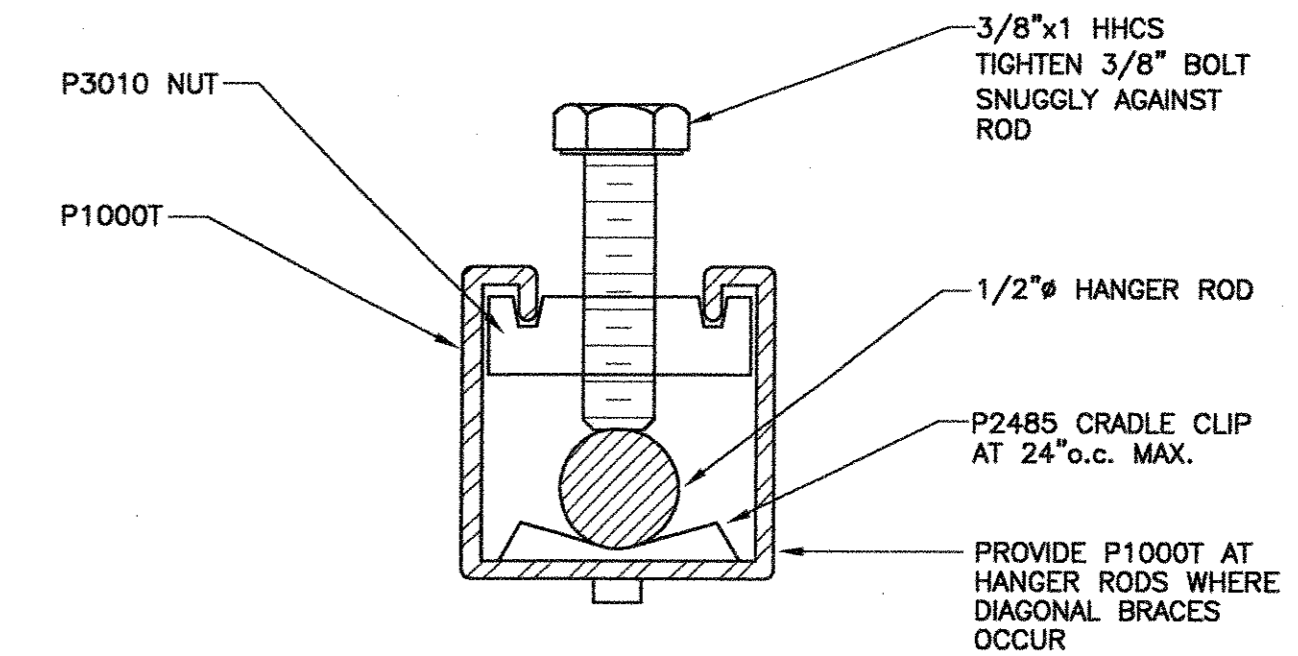


2A PARTIAL ROOF FRAMING PLAN 1/8"=1'-0" M2M0582X



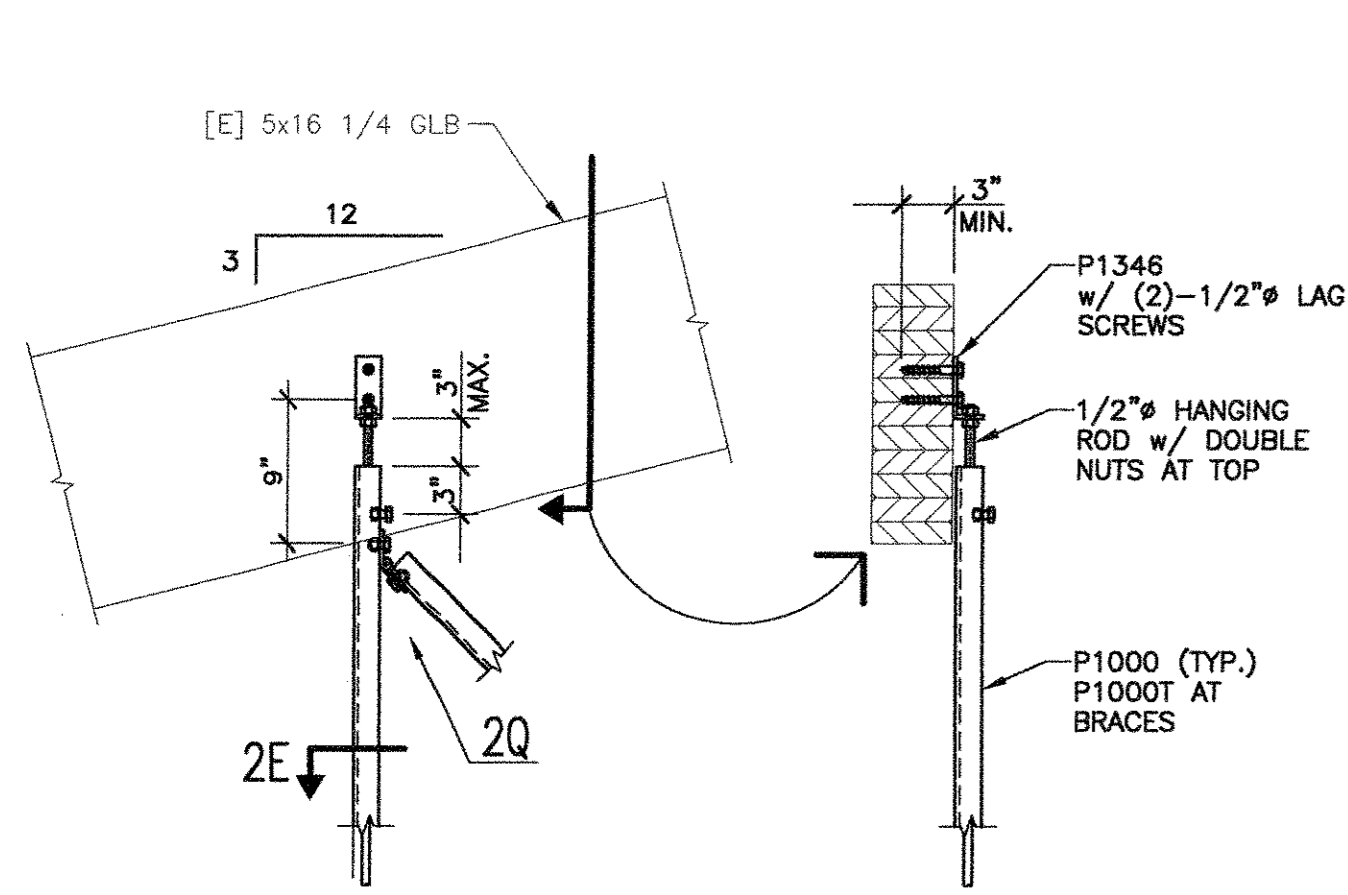
2C UNISTRUT FRAMING PLAN 1/8"=1'-0" M2M0582C

- NOTES:
1. → DENOTES DIAGONAL BRACE SLOPING UPWARD.
 2. BOTTOM OF NEW UNISTRUT FRAMING IS AT EL. +10'-0" RELATIVE TO [E] FINISHED FLOOR @ 0'-0".
 3. MAXIMUM NUMBER OF LIGHT FIXTURES SUPPORTED BY FRAMING SHALL NOT EXCEED 12 UNITS OR 240 LBS.
 4. SEE ELECTRICAL DRAWINGS FOR RACEWAY LOCATIONS. (5.0 PLF MAX.)

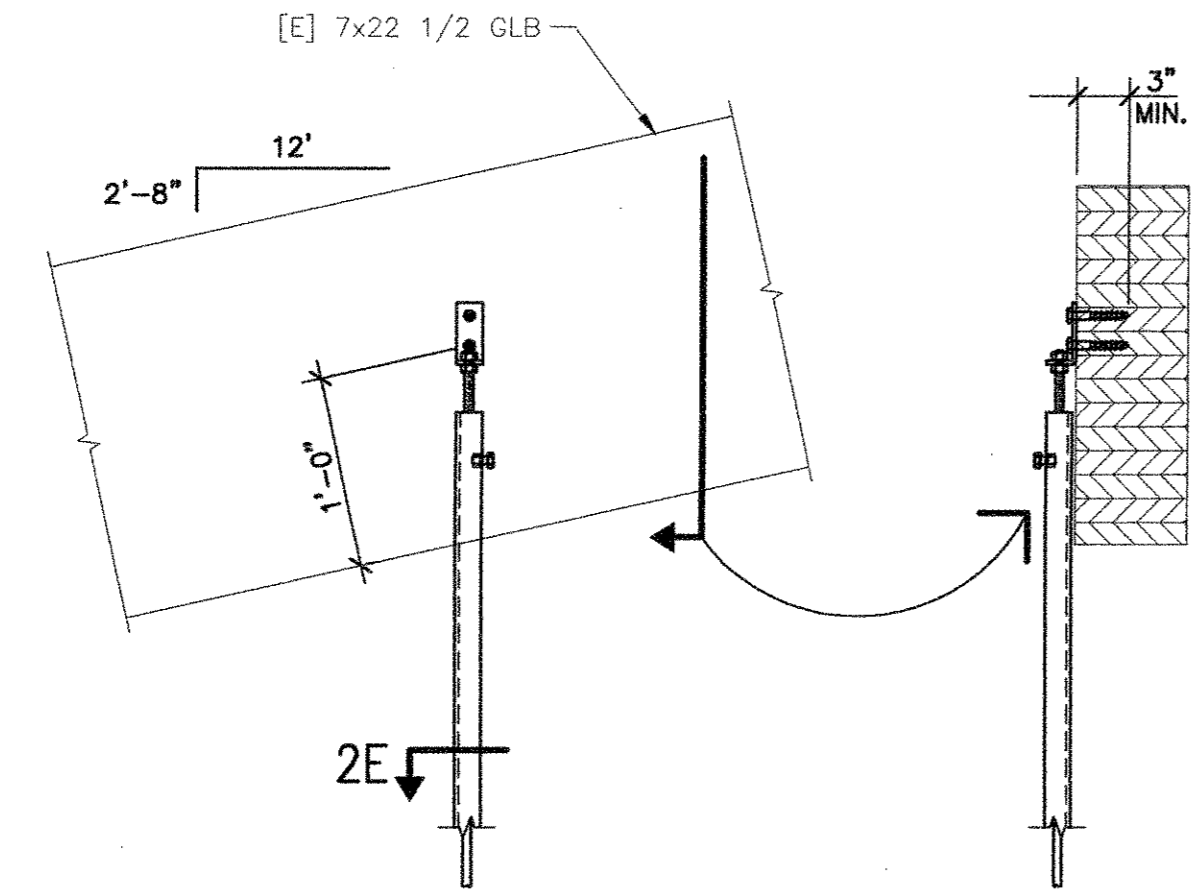


2E "COMPRESSION POST" UNISTRUT CHANNEL W/ HANGER ROD

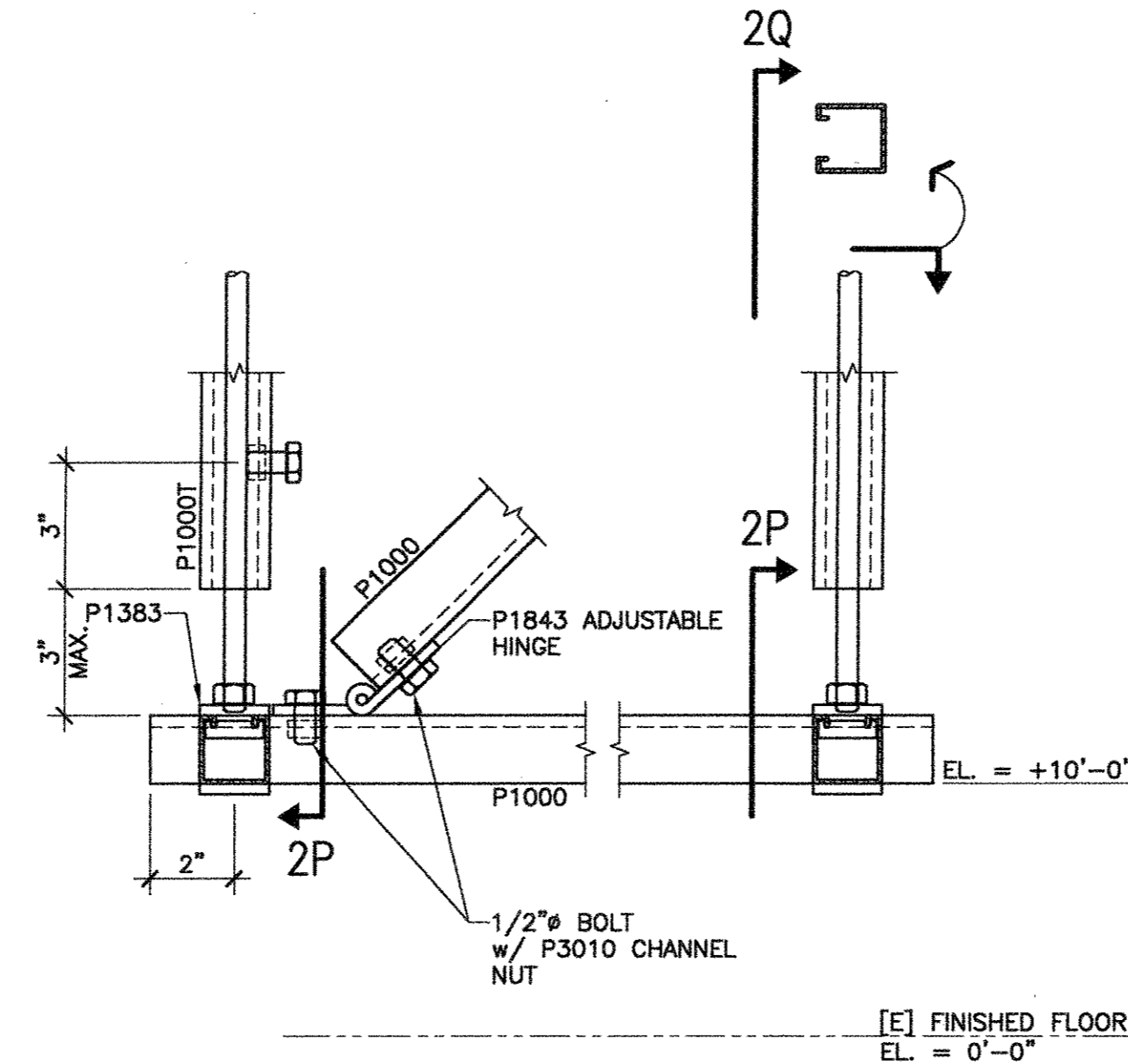
SMB0202A



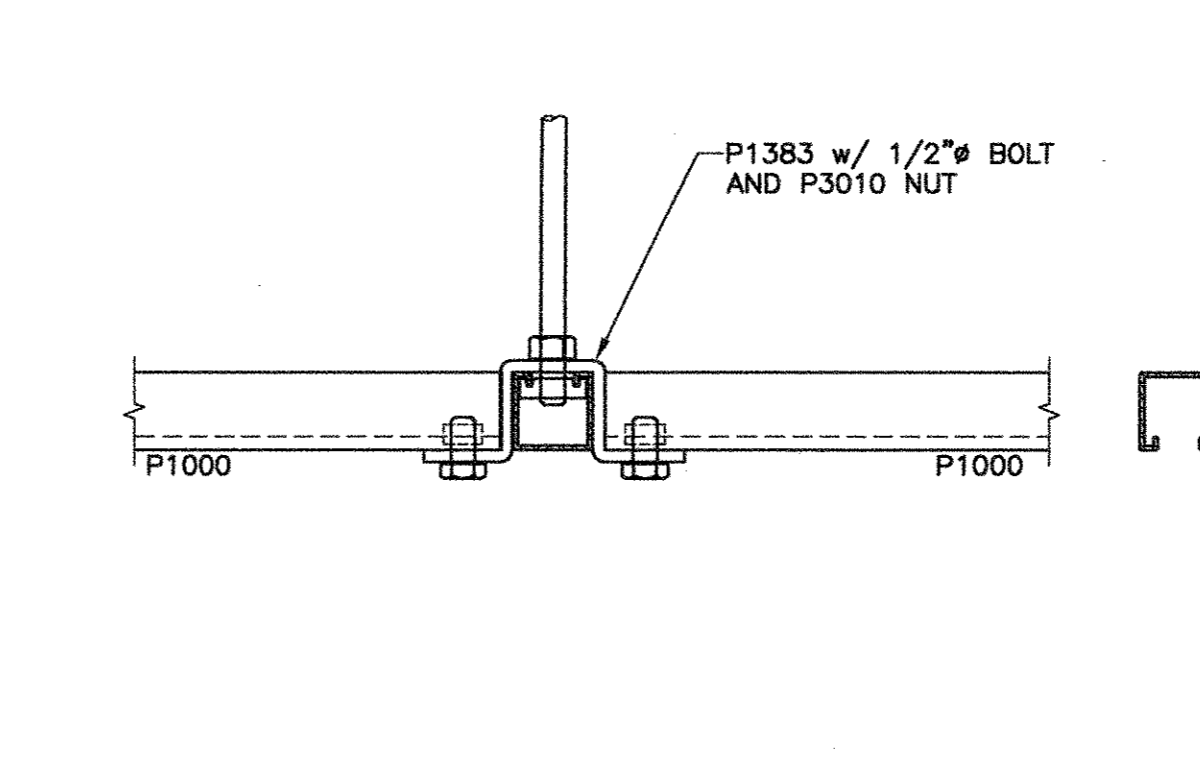
2L TYPICAL HANGING ROD ATTACHMENT 1"=1'-0" M2M0582L



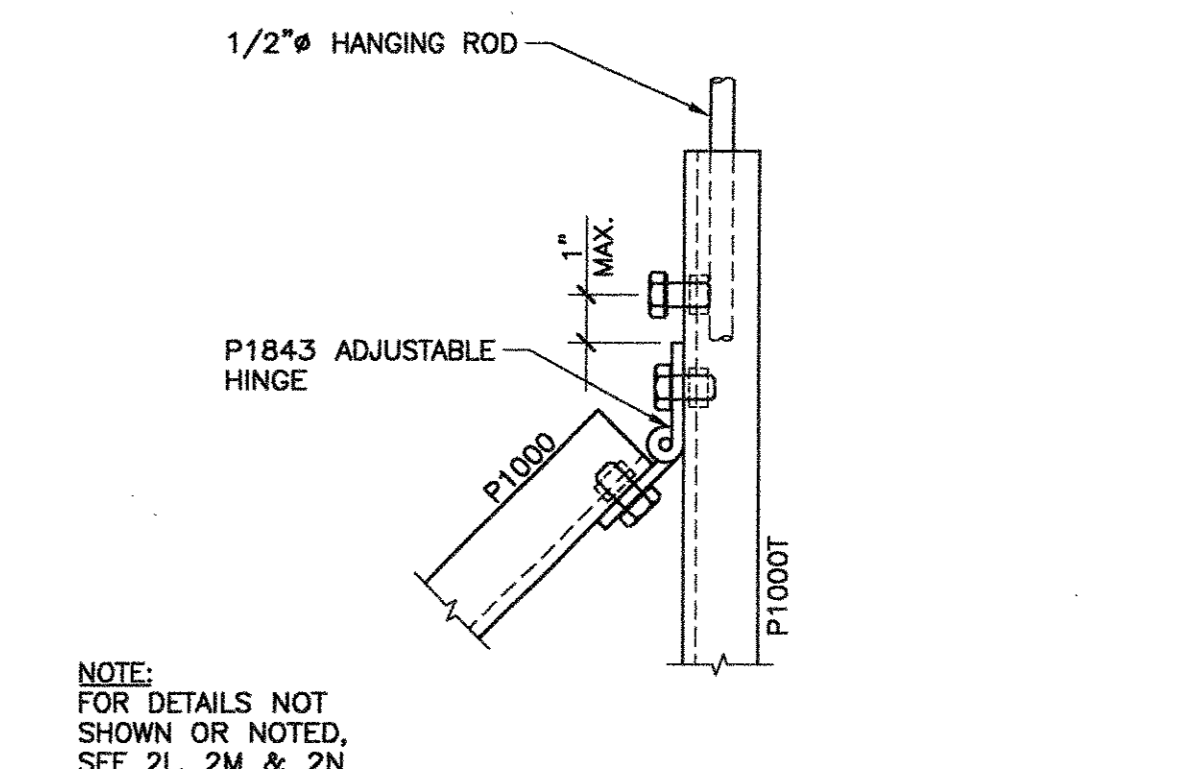
2M HANGING ROD ATTACHMENT DETAIL 1"=1'-0" M2M0582M



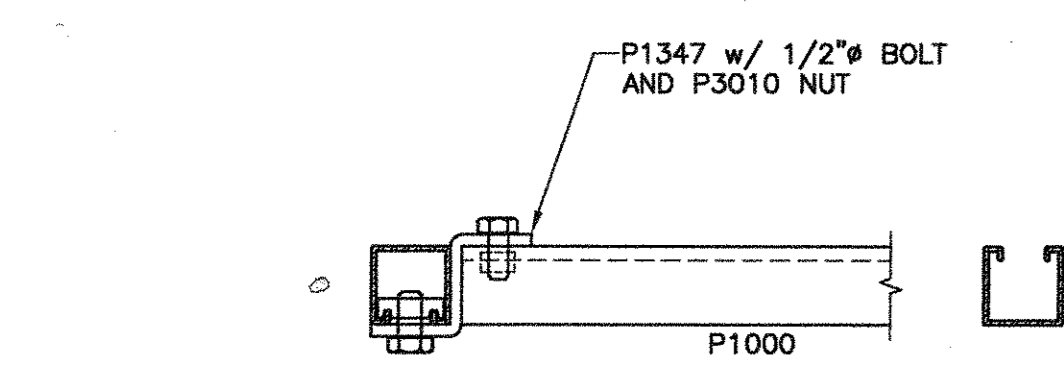
2N HANGING ROD ATTACHMENT DETAIL 3"=1'-0" M2M0582N



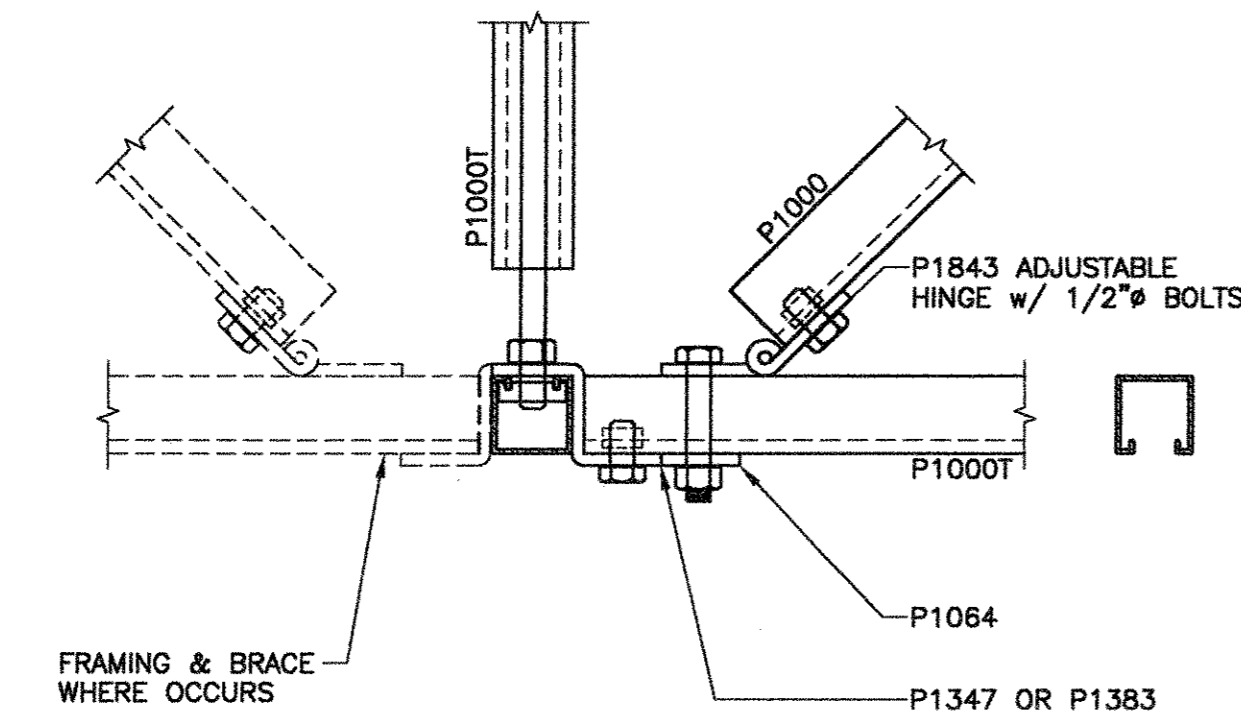
2P HANGING ROD ATTACHMENT DETAIL 3"=1'-0" M2M0582P



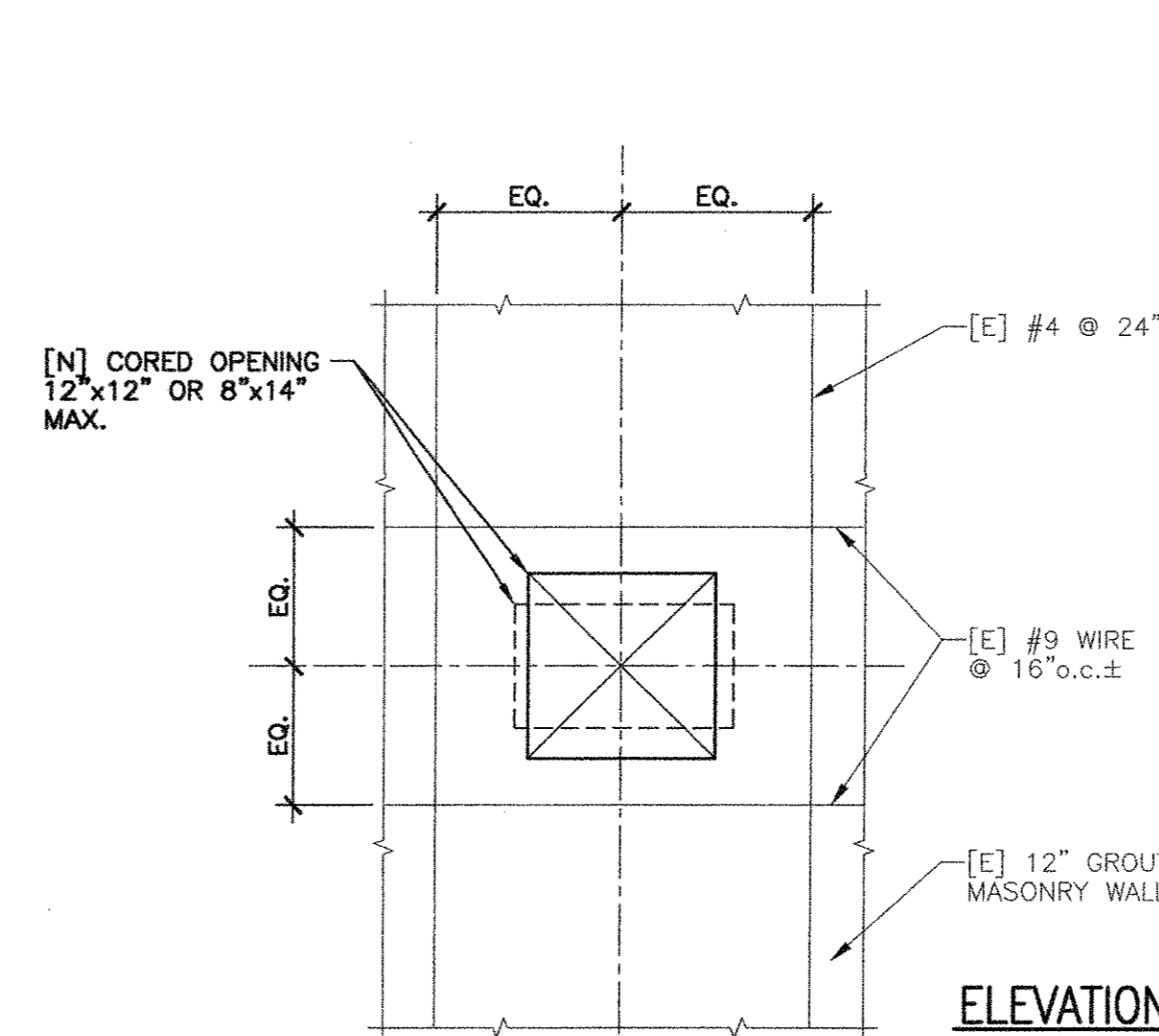
2Q HANGING ROD ATTACHMENT DETAIL 3"=1'-0" M2M0582Q



2R HANGING ROD ATTACHMENT DETAIL 1"=1'-0" M2M0582R

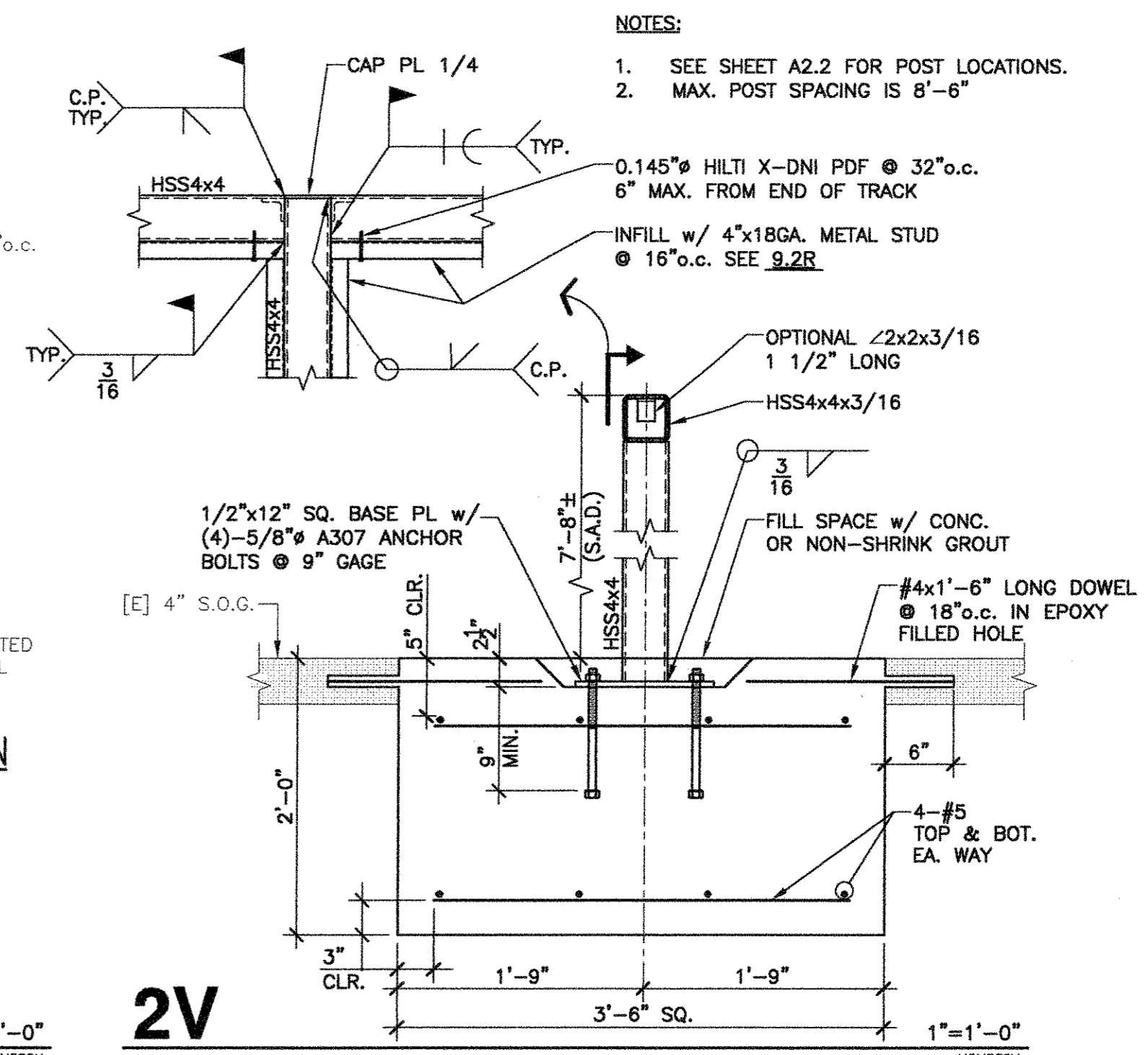


2S HANGING ROD ATTACHMENT DETAIL 1"=1'-0" M2M0582S



- NOTES:
1. MAP LOCATION OF [E] WALL REINFORCEMENT PRIOR TO CORE DRILLING.
 2. DO NOT OVER - DRILL HOLE.
 3. CENTER NEW OPENING AT [E] WALL REINFORCEMENT.

2U [N] HOLE IN [E] MASONRY WALL 1"=1'-0" M2M0582U



2V HANGING ROD ATTACHMENT DETAIL 1"=1'-0" M2M0582V

Sugimura & Associates Architects
 Architecture • Planning • Interiors
 Landscape Architecture
 2155 South Bascom Ave., Suite 200
 Campbell, CA 95008
 408-879-0600 Fx 408-377-6066
 COPYRIGHT © 2003 Sugimura & Associates/Architects



Rinne & Peterson
 STRUCTURAL ENGINEERS
 1121 San Antonio Street, Suite 200
 Palo Alto, CA 94303
 650-324-2800 FAX 650-324-2841

EXPERIENCED TEAM
 DIV. OF THE STATE ARCHITECT
 OFFICE OF REGULATION SERVICES
 APP. NO. 01-108946
 AC FILE NO. FS SS
 DATE
 Division of the State Architect
 215 Clay St., Suite 201
 Oakland, CA 94612

PARTIAL ROOF FRAMING PLAN AND DETAILS
SKYLINE COLLEGE SWING SPACE
PERMIT PACKAGE #3
SKYLINE COLLEGE
3300 COLLEGE DRIVE
SAN BRUNO, CA. 94066

REVISIONS

NO.	ITEM	DATE
Δ	CONSTRUCTION ISSUE	6/10/04
-	CONFORM SET	9/9/04
3	AS BUILT	3/14/05

CLIENT APPROVAL:

DRAWN BY: AV
 CHECKED BY: LH
 JOB NO: 2145.002
 DATE: 06 FEB. 2004

P & P JOB No. M200582.00
 PRINCIPAL-IN-CHARGE: LK
 REVISIONS: