

JH Lawder, Inc.
Structural Engineers
717 16th Street
Modesto, CA 95354
(209) 521-1143
(209) 521-1166



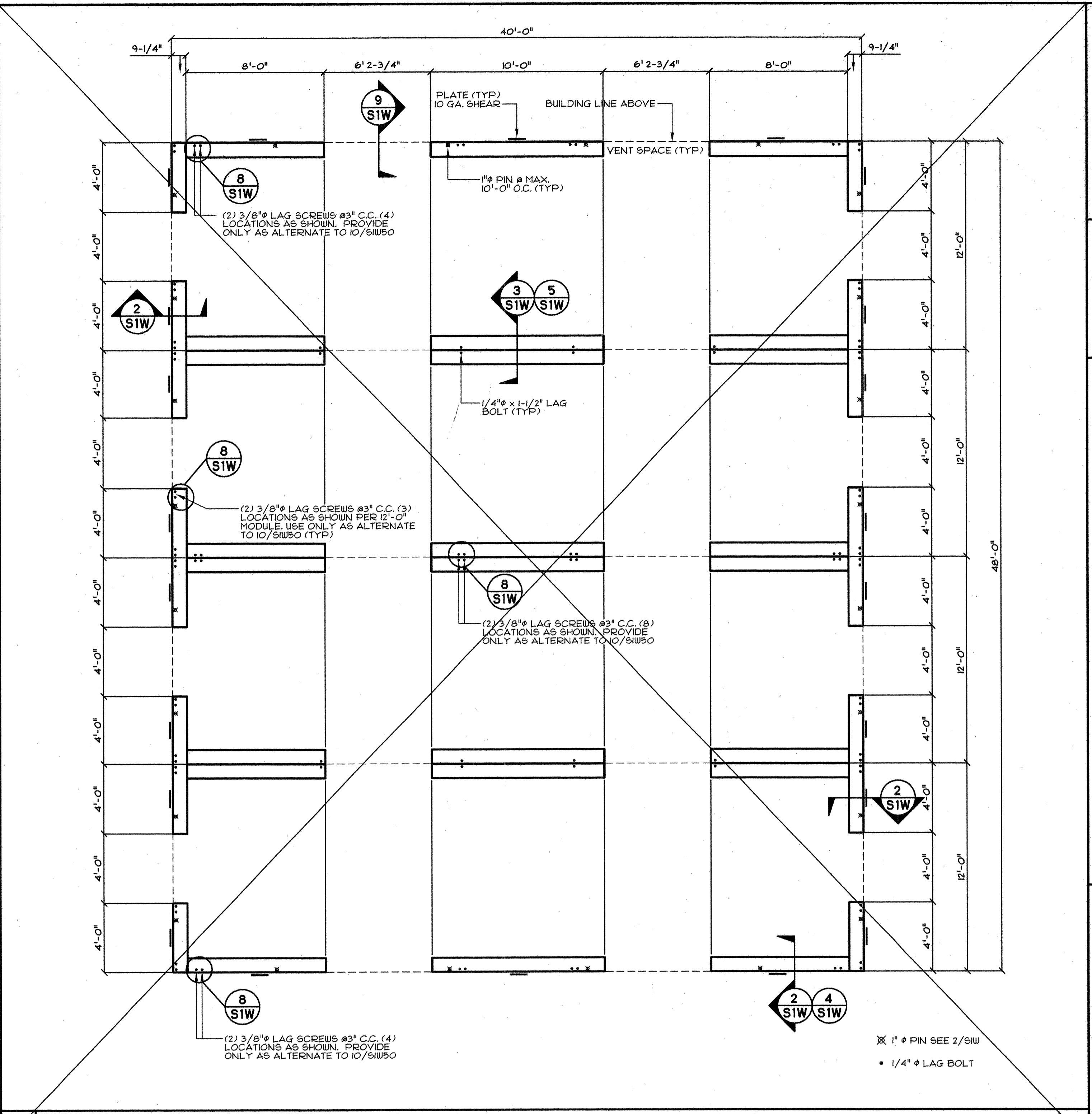
ENVIROPLEX, INC.
4777 E. CARPENTER ROAD STOCKTON, CA. 95215
SAN MATEO COMMUNITY COLLEGE
(1) 36' x 40' CLASSROOM

WOOD FOUNDATION PLAN

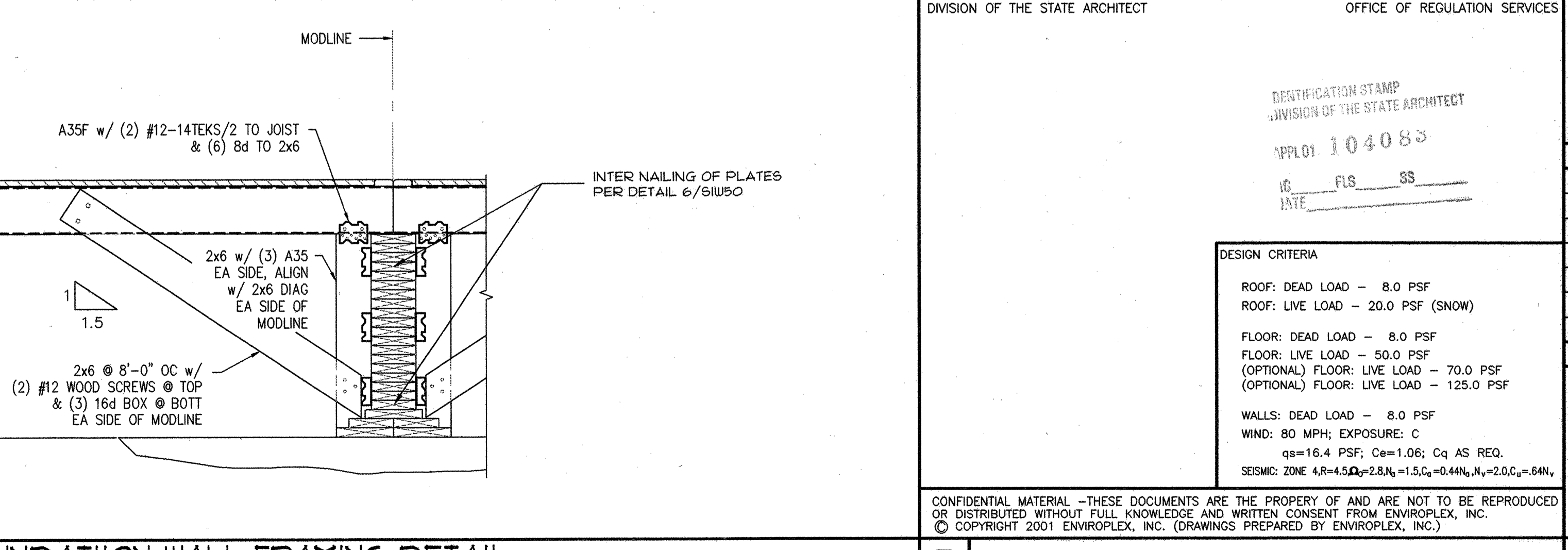
REVISION DATE:	BY:

DATE: _____
THIS MODULAR BLDG. HAS BEEN ENGINEERED BY A REGISTERED STRUCTURAL ENGINEER & PREVIOUSLY REVIEWED & APPROVED BY THE DIVISION OF THE STATE ARCHITECT, FIRE & LIFE SAFETY AND ACCESS COMPLIANCE SECTION

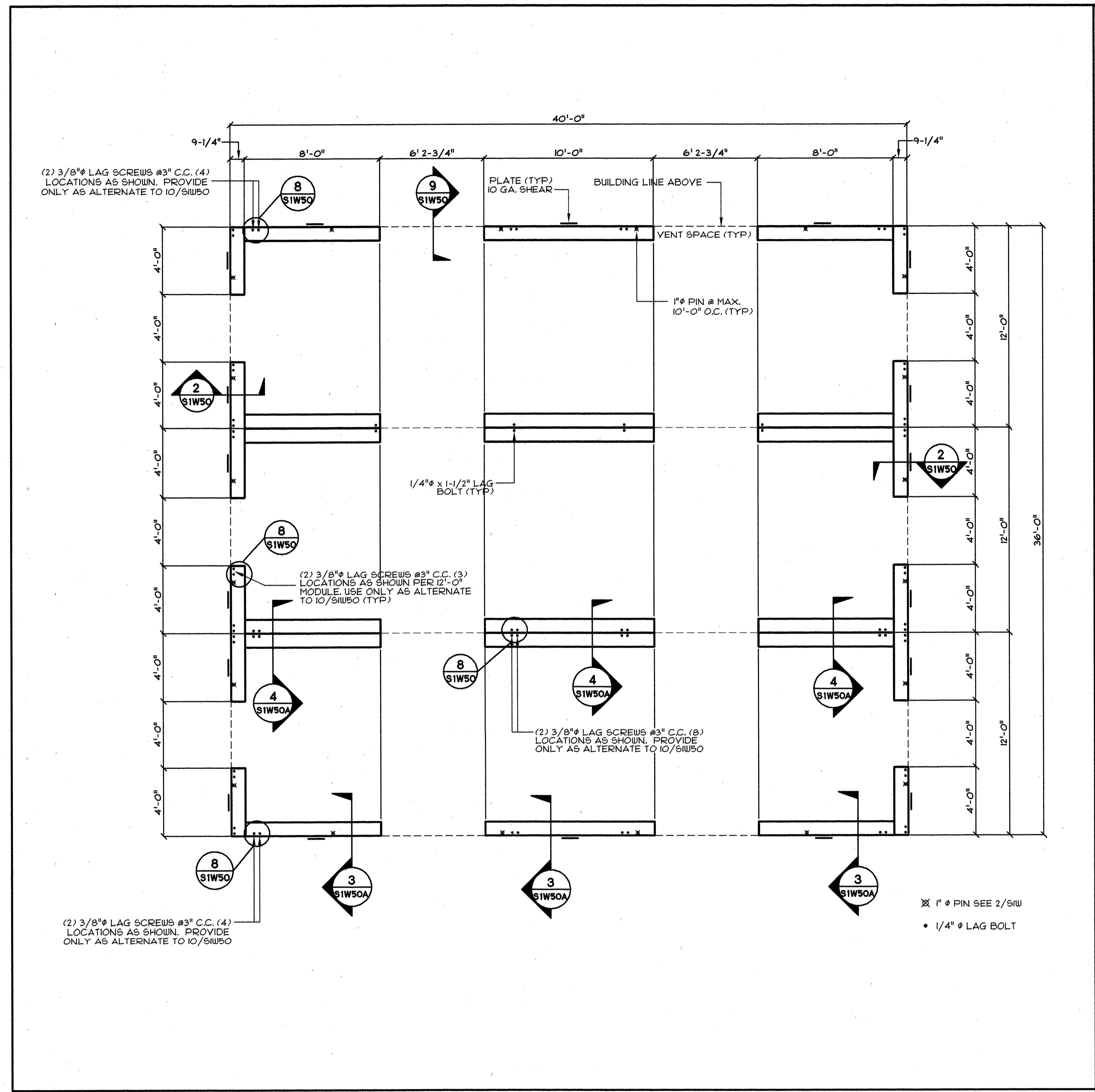
S1W50A



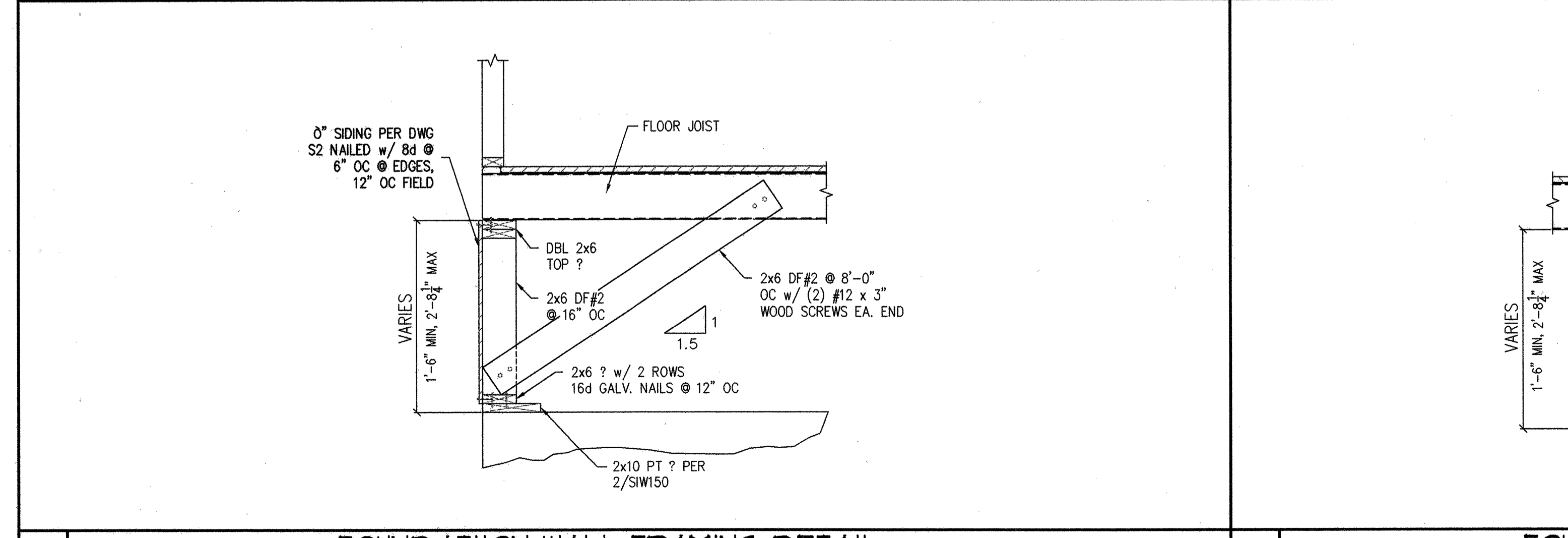
48' x 40' WOOD FOUNDATION PLAN SCALE: 1/4" = 1'-0"



FOUNDATION WALL FRAMING DETAIL SCALE: 3/4" = 1'-0"



36' x 40' WOOD FOUNDATION PLAN SCALE: 1/4" = 1'-0"



FOUNDATION WALL FRAMING DETAIL SCALE: 3/4" = 1'-0"

DIVISION OF THE STATE ARCHITECT OFFICE OF REGULATION SERVICES

IDENTIFICATION STAMP
DIVISION OF THE STATE ARCHITECT
APPROJ 104083
DATE

DESIGN CRITERIA
ROOF: DEAD LOAD - 8.0 PSF
ROOF: LIVE LOAD - 20.0 PSF (SNOW)
FLOOR: DEAD LOAD - 8.0 PSF
FLOOR: LIVE LOAD - 50.0 PSF
(OPTIONAL) FLOOR: LIVE LOAD - 70.0 PSF
(OPTIONAL) FLOOR: LIVE LOAD - 125.0 PSF
WALLS: DEAD LOAD - 8.0 PSF
WIND: 80 MPH; EXPOSURE: C
qs=16.4 PSF; Ce=1.06; Cq AS REQ.
SESMIC: ZONE 4, R=4.5, Fa=2.8, N=1.5, Ca=0.44, Np=2.0, Cw=0.44N

CONFIDENTIAL MATERIAL - THESE DOCUMENTS ARE THE PROPERTY OF AND ARE NOT TO BE REPRODUCED OR DISTRIBUTED WITHOUT FULL KNOWLEDGE AND WRITTEN CONSENT FROM ENVIROPLEX, INC.
© COPYRIGHT 2001 ENVIROPLEX, INC. (DRAWINGS PREPARED BY ENVIROPLEX, INC.)