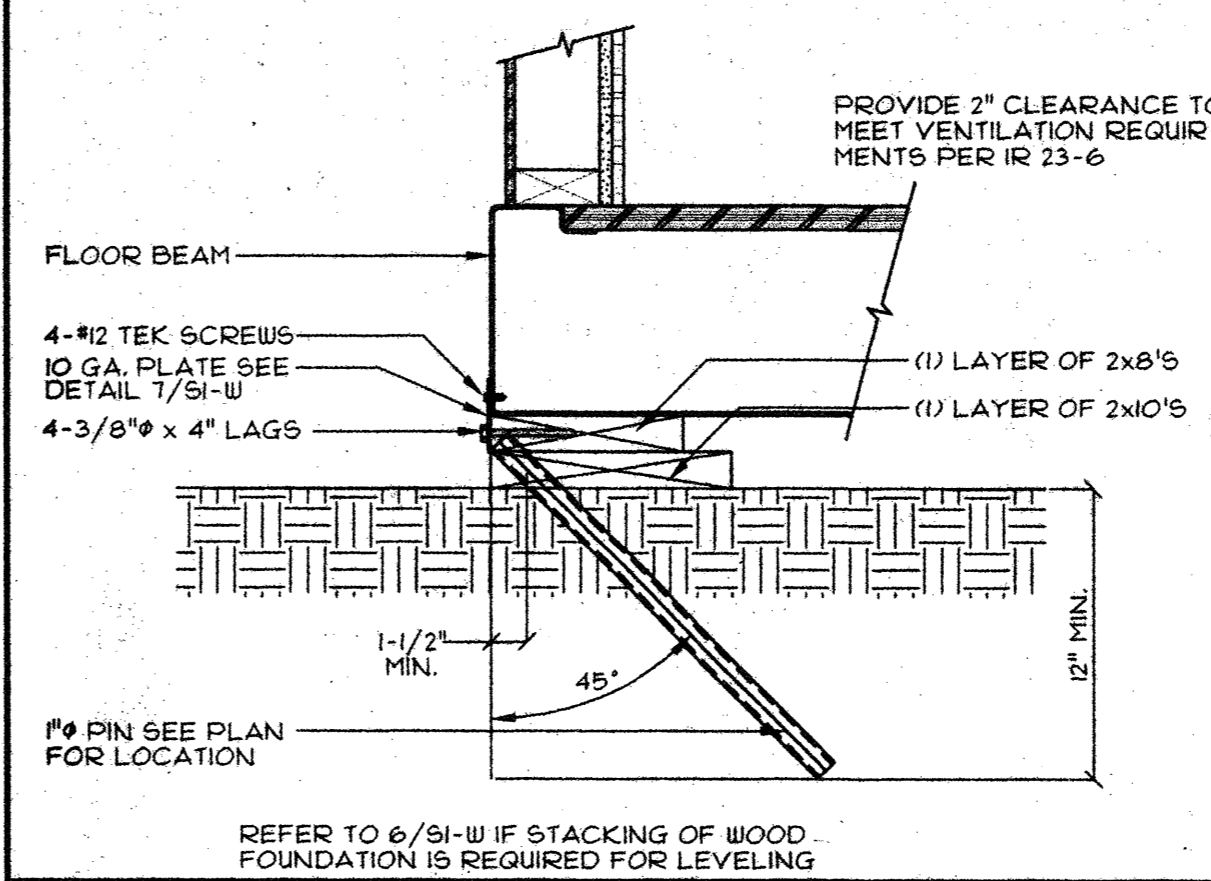


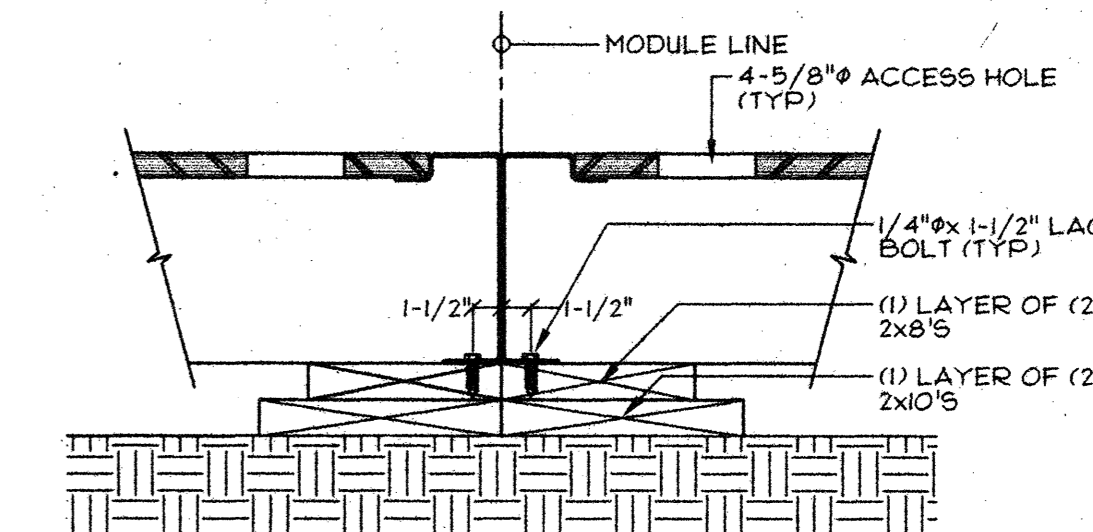
① 1 SQ FT (W/MIN 2 LAYERS OF WOOD)
 ② 1.5 SQ FT (W/MIN 2 LAYERS OF WOOD)
 REQUIRED VENT SPACE = 9.6 SQ FT

✕ 1" Ø PIN SEE 2/SI-W
 • 1/4" Ø LAG BOLT



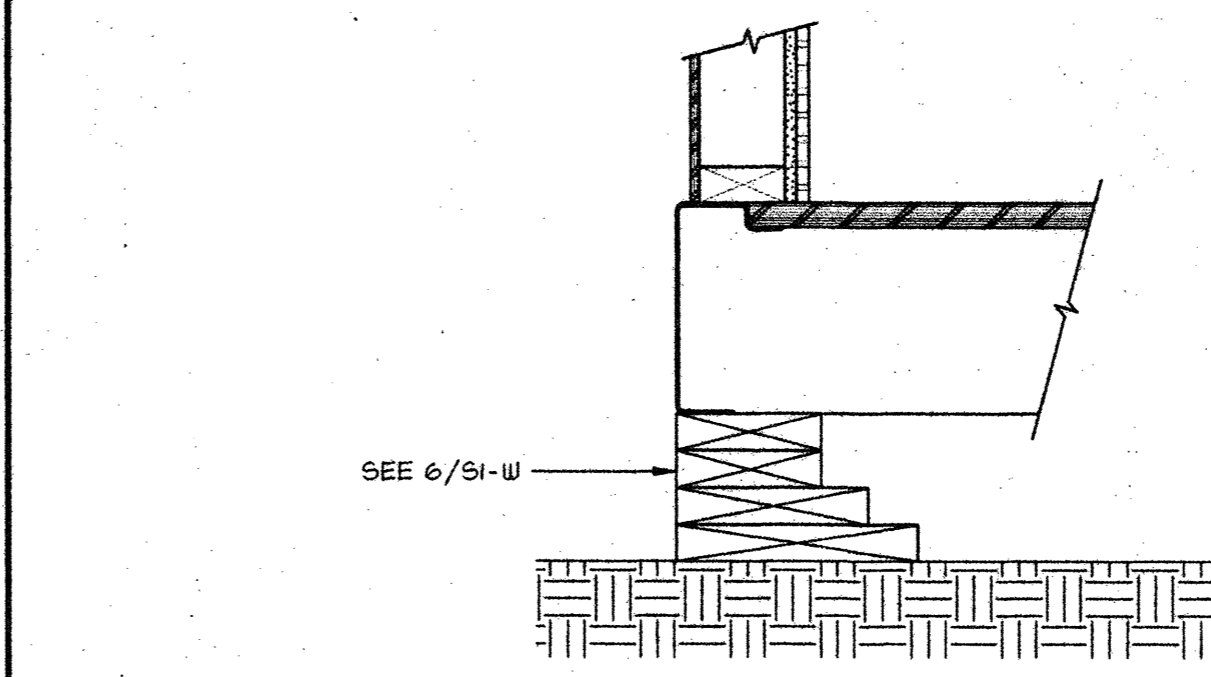
REFER TO 6/SI-W IF STACKING OF WOOD FOUNDATION IS REQUIRED FOR LEVELING

2 PERIMETER PIER DETAIL
 SCALE: 1-1/2"=1'-0"



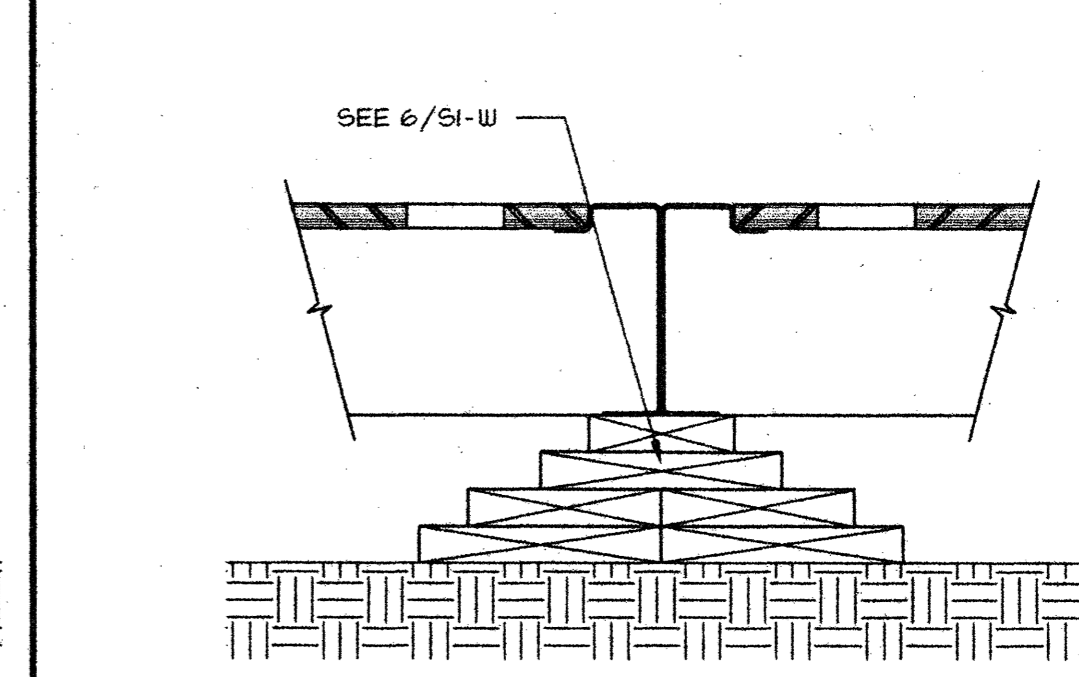
REFER TO 6/SI-W IF STACKING OF WOOD FOUNDATION IS REQUIRED FOR LEVELING

3 INTERIOR PIER DETAIL
 SCALE: 1-1/2"=1'-0"



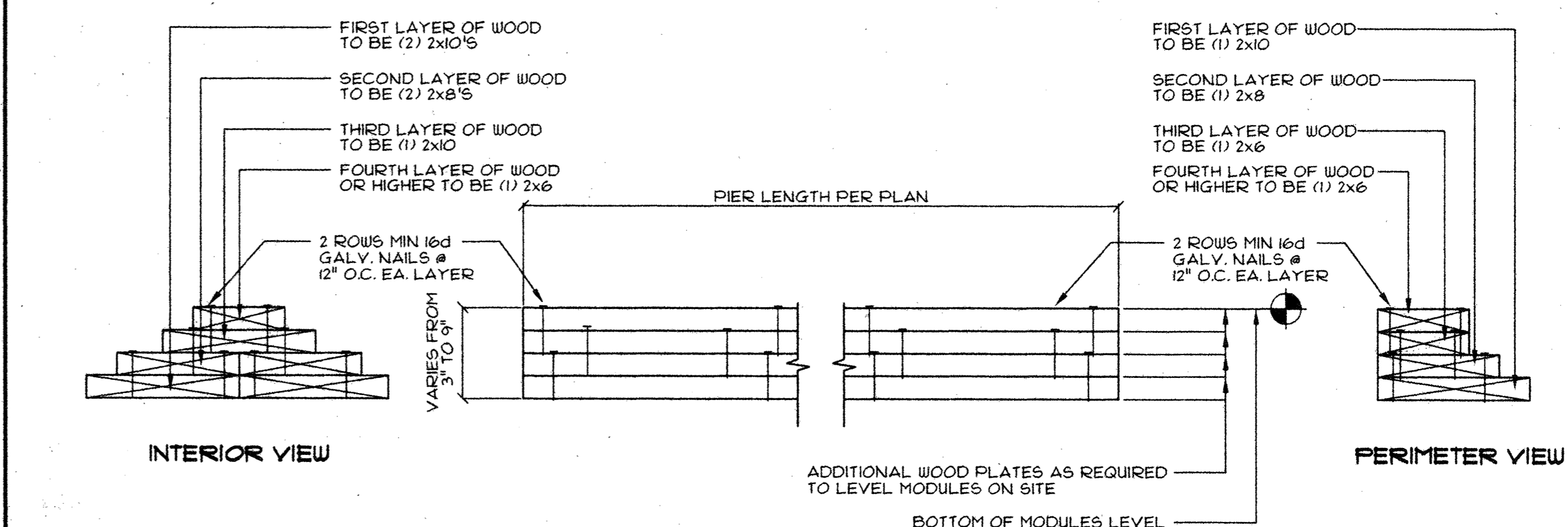
NOTE: THIS DETAIL FOR REFERENCE ONLY SEE DETAIL 6/SI-W FOR NAILING DETAIL
 SEE 2/SI-W U.O.N. FOR INTERNALING

4 PERIMETER PIER STACKING DETAIL
 SCALE: 1-1/2"=1'-0"



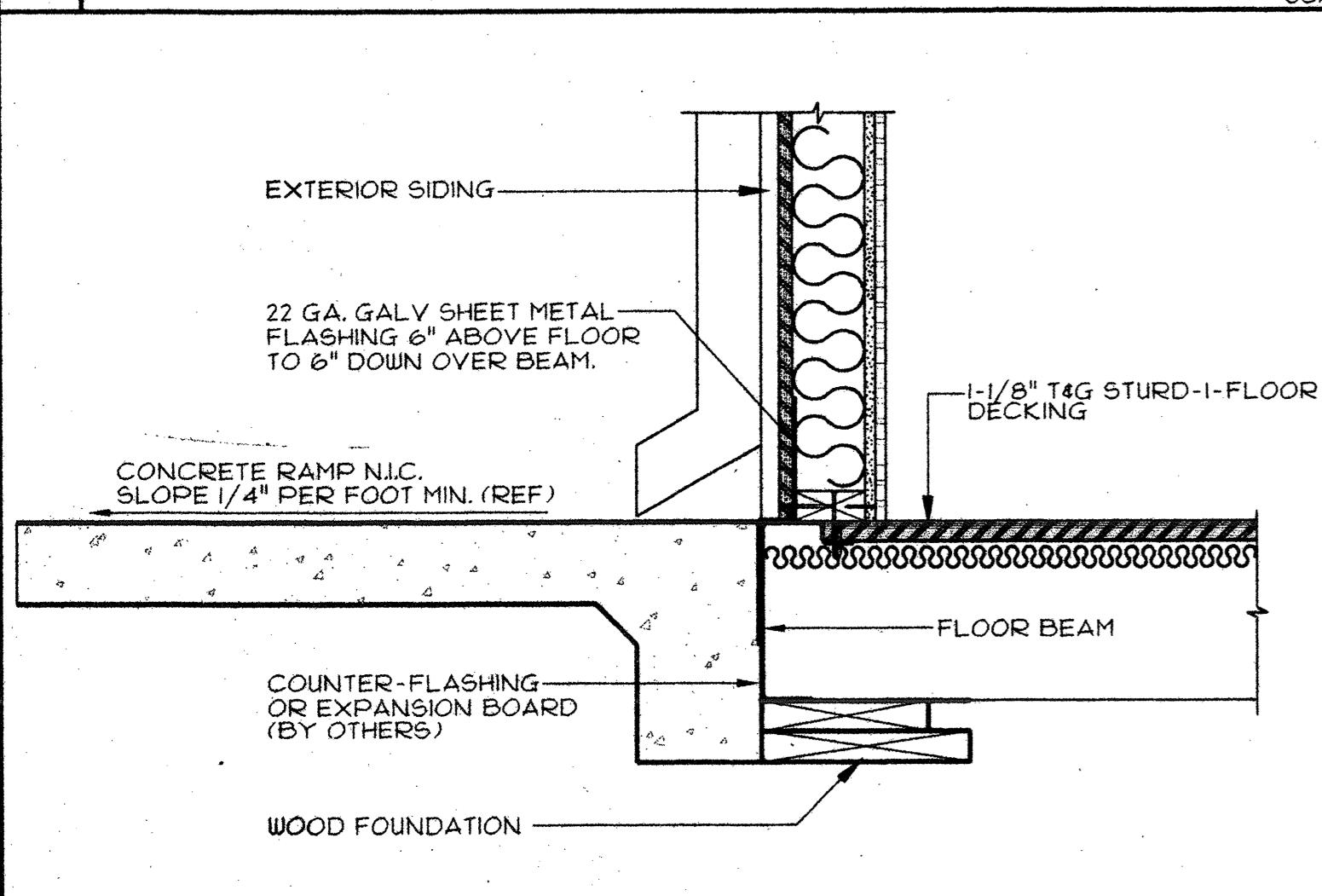
NOTE: THIS DETAIL FOR REFERENCE ONLY SEE DETAIL 6/SI-W FOR NAILING DETAIL
 SEE 3/SI-W U.O.N. FOR INTERNALING

5 INTERIOR PIER STACKING DETAIL
 SCALE: 1-1/2"=1'-0"

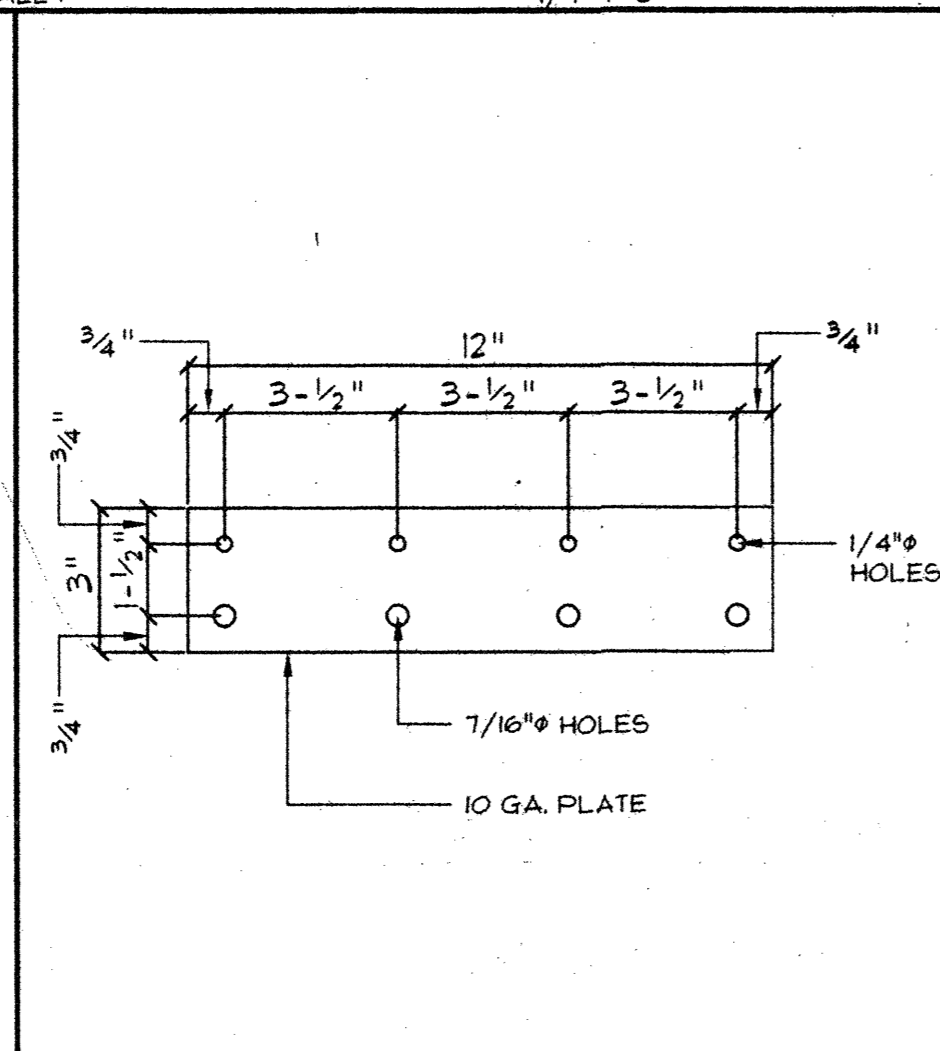


6 INTERNAILING OF WOOD PIERS
 SCALE: 1-1/2"=1'-0"

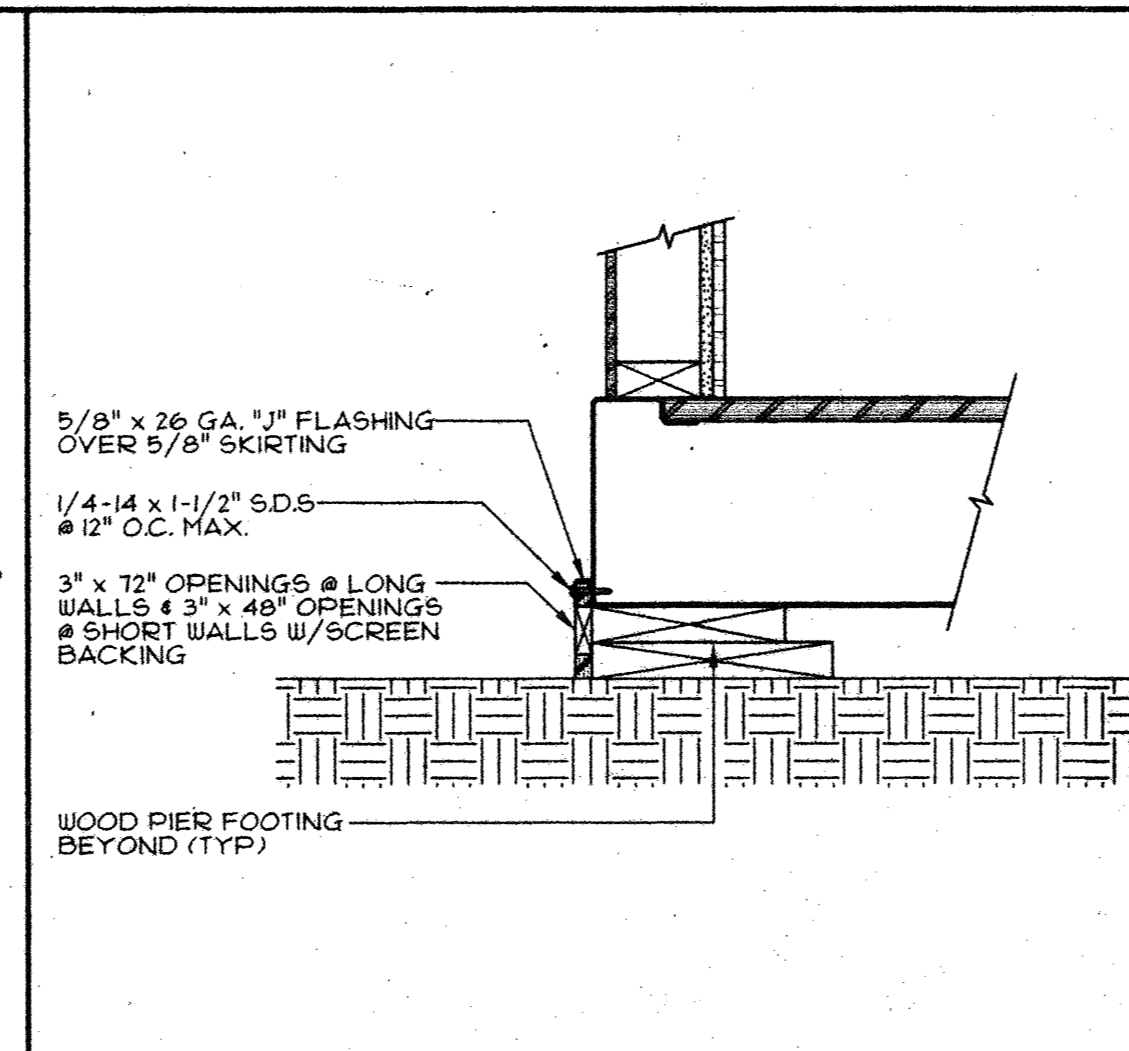
1 WOOD FOUNDATION PLAN
 SCALE: 1/4"=1'-0"



7 ALTERNATE FLASHING DETAIL
 SCALE: 1-1/2"=1'-0"



8 SHEAR PLATE
 SCALE: 3"=1'-0"



9 PERIMETER SKIRTING DETAIL
 SCALE: 1-1/2"=1'-0"

10 GENERAL NOTES

- BOTTOM LAYER OF PIERS SHALL BE PRESSURE TREATED HEM FIR NO. 2 OR BETTER, FOUNDATION GRADE REDWOOD NO. 2 OR BETTER.
- 16d NAILS SHALL BE CORROSIVE RESISTANT PER 1995 C.B.C. SECTION 2325A1
- SHIM PIERS AS REQUIRED WITH APA RATED PLYWOOD MADE FROM EXTERIOR GLUE. SHIMS SHALL BE CONTINUOUS ACROSS LENGTH OF PIERS AS FIELD CONDITIONS ALLOW. PLYWOOD SHIMS SHALL NOT BE IN DIRECT CONTACT WITH THE SOIL.
- SOIL BEARING PRESSURE IS ASSUMED AT 1,000 P.S.F.
- FOUNDATION SHOWN ON (1) LAYER OF WOOD ANY ADDITIONAL LAYERS OF WOOD ARE TO BE STACKED AS PER STACKING DETAILS
- VENTILATION TO MEET REQUIREMENTS PER IR 23-6. PROVIDE 9.6 SQ. FT. VENTS (PROVIDE 3" MIN. CLR.)

DIVISION OF THE STATE ARCHITECT OFFICE OF REGULATION SERVICES

APR 6 4 9 0 4
 4/24/96

DESIGN CRITERIA

ROOF: DEAD LOAD - 8.0 PSF
 ROOF: LIVE LOAD - 20.0 PSF (SNOW)

FLOOR: DEAD LOAD - 8.0 PSF
 FLOOR: LIVE LOAD - 50.0 PSF

WALLS: DEAD LOAD - 8.0 PSF
 WIND: 80 MPH - EXP.C. 26.5 PSF
 PER DSA IR 23-16
 SEISMIC: ZONE 4, R_w=6, C:2.75

DATE: _____

THIS MODULAR BLDG. HAS BEEN ENGINEERED BY A REGISTERED STRUCTURAL ENGINEER AND PREVIOUSLY REVIEWED & APPROVED BY THE DIVISION OF THE STATE ARCHITECT, FIRE & LIFE SAFETY AND ACCESS COMPLIANCE SECTION

CONFIDENTIAL MATERIAL - THESE DOCUMENTS ARE THE PROPERTY OF AND ARE NOT TO BE REPRODUCED OR DISTRIBUTED WITHOUT FULL KNOWLEDGE AND WRITTEN CONSENT FROM ENVIROPLEX, INC.
 © COPYRIGHT 1993 ENVIROPLEX, INC. (DRAWINGS PREPARED BY ENVIROPLEX, INC.)

11 APPROVAL

JH Lawder, Inc.
 Structural Engineers
 621 14th STREET
 MODESTO, CA 95304
 (209) 561-1143 FAX (209) 561-1168

ENVIROPLEX, INC.
 4777 E. CARPENTER ROAD STOCKTON, CA 95215
 36'x40' RELOCATABLE CLASSROOM FOR SKYLINE COLLEGE CHILD DEVELOPMENT CENTER

36'x40' WOOD FOUNDATION PLAN FOOTING DETAILS - NOTES

REVISION DATE: BY:

DATE: _____

DSA APPLICATION NO.