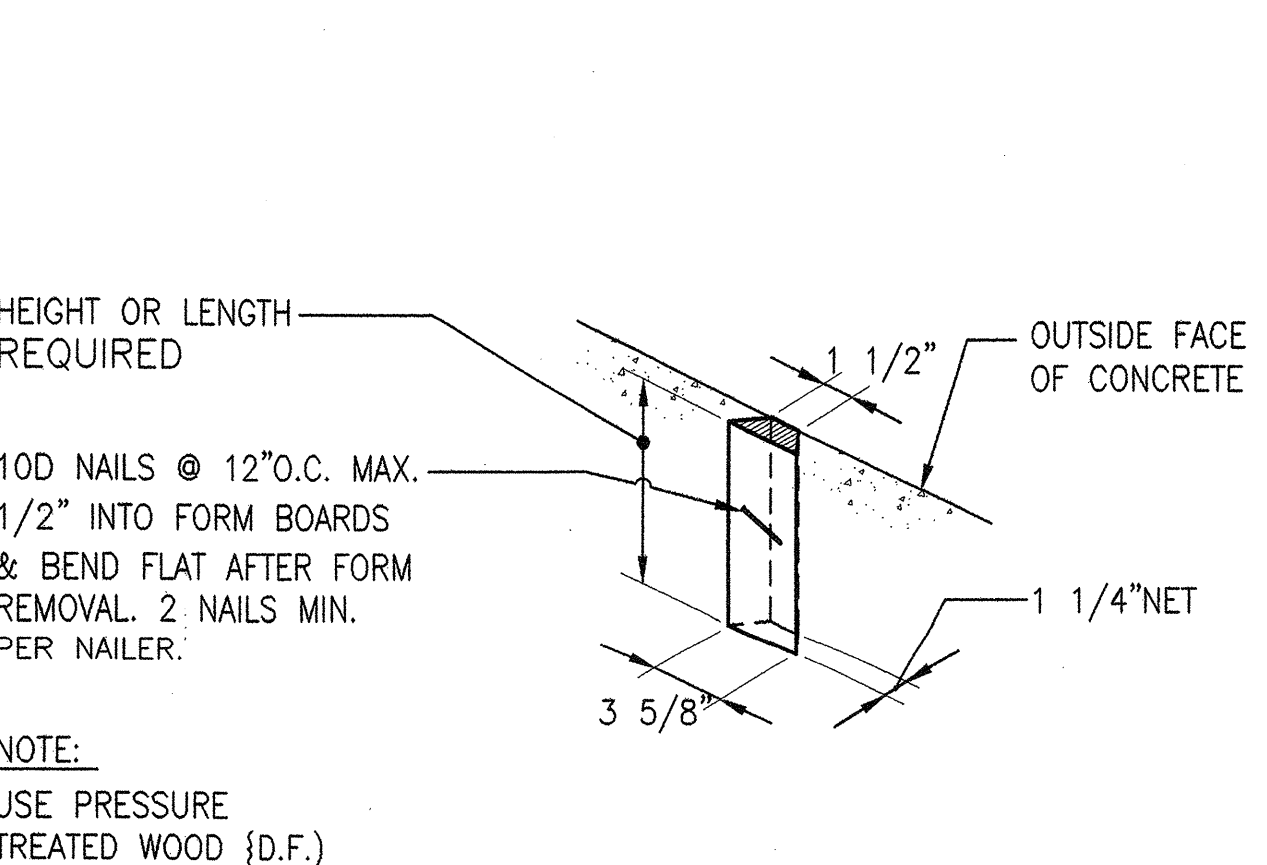
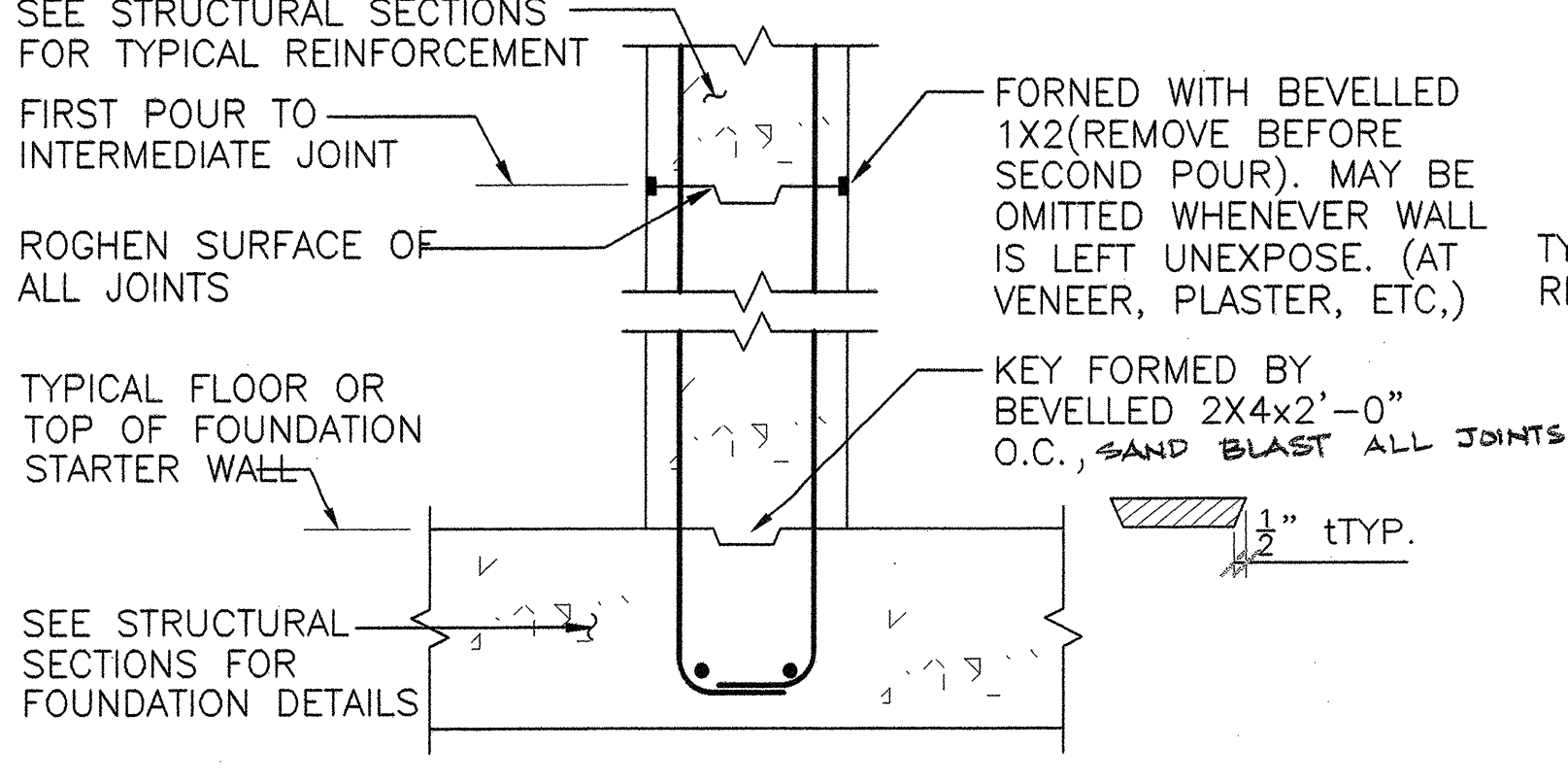


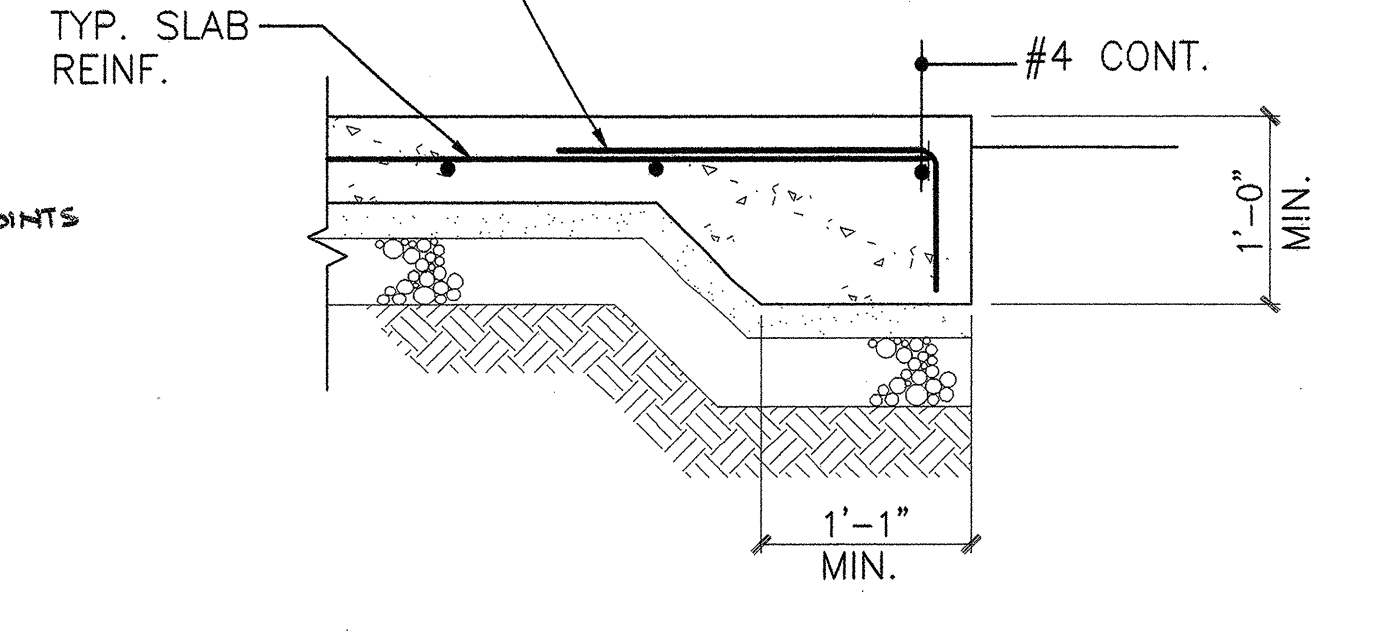
20 19 18 17 16 15 14 13 12 11 10 9 8 7 6 5 4 3 2 1



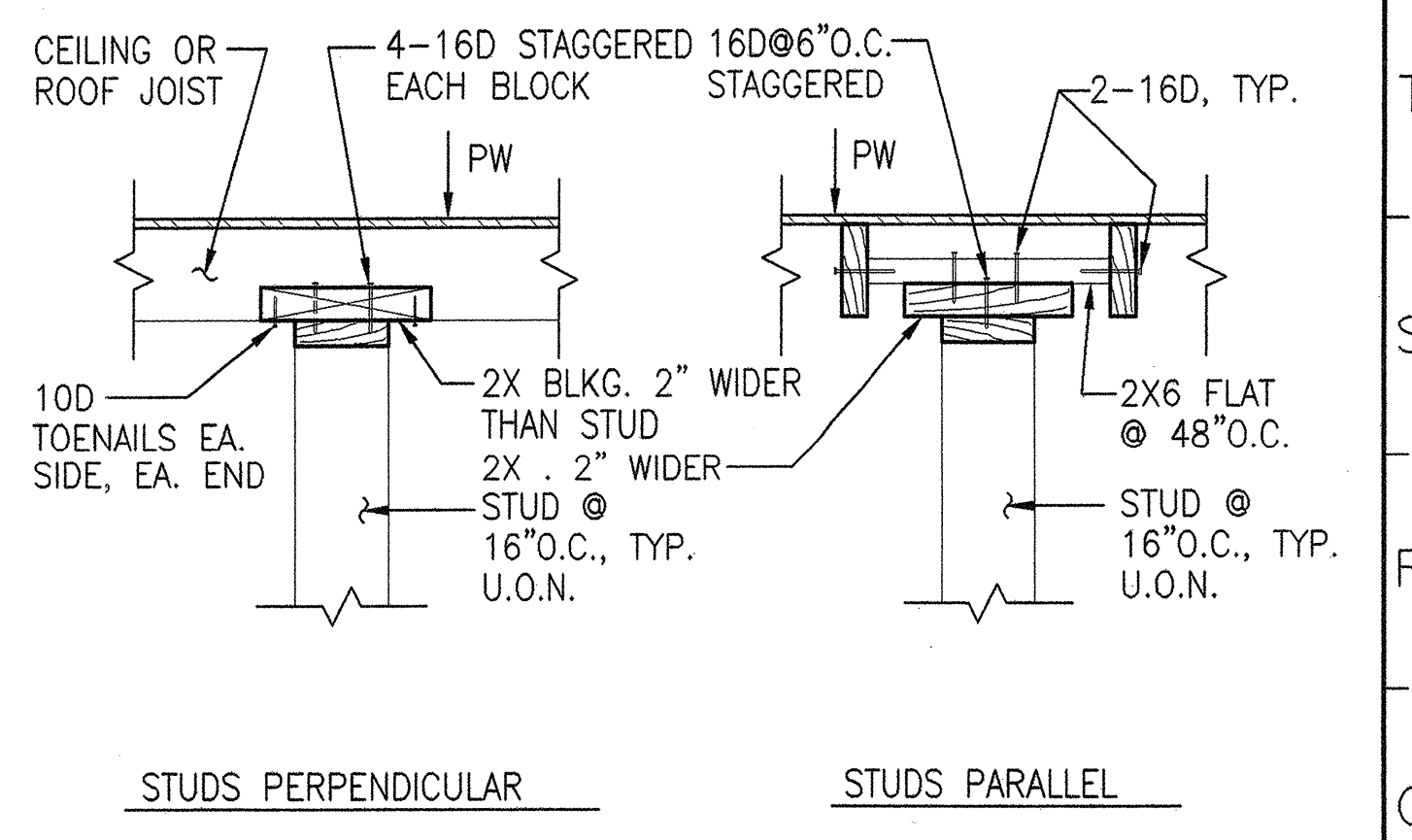
7 BUILT IN NAILER IN CONCRETE
N.T.S.



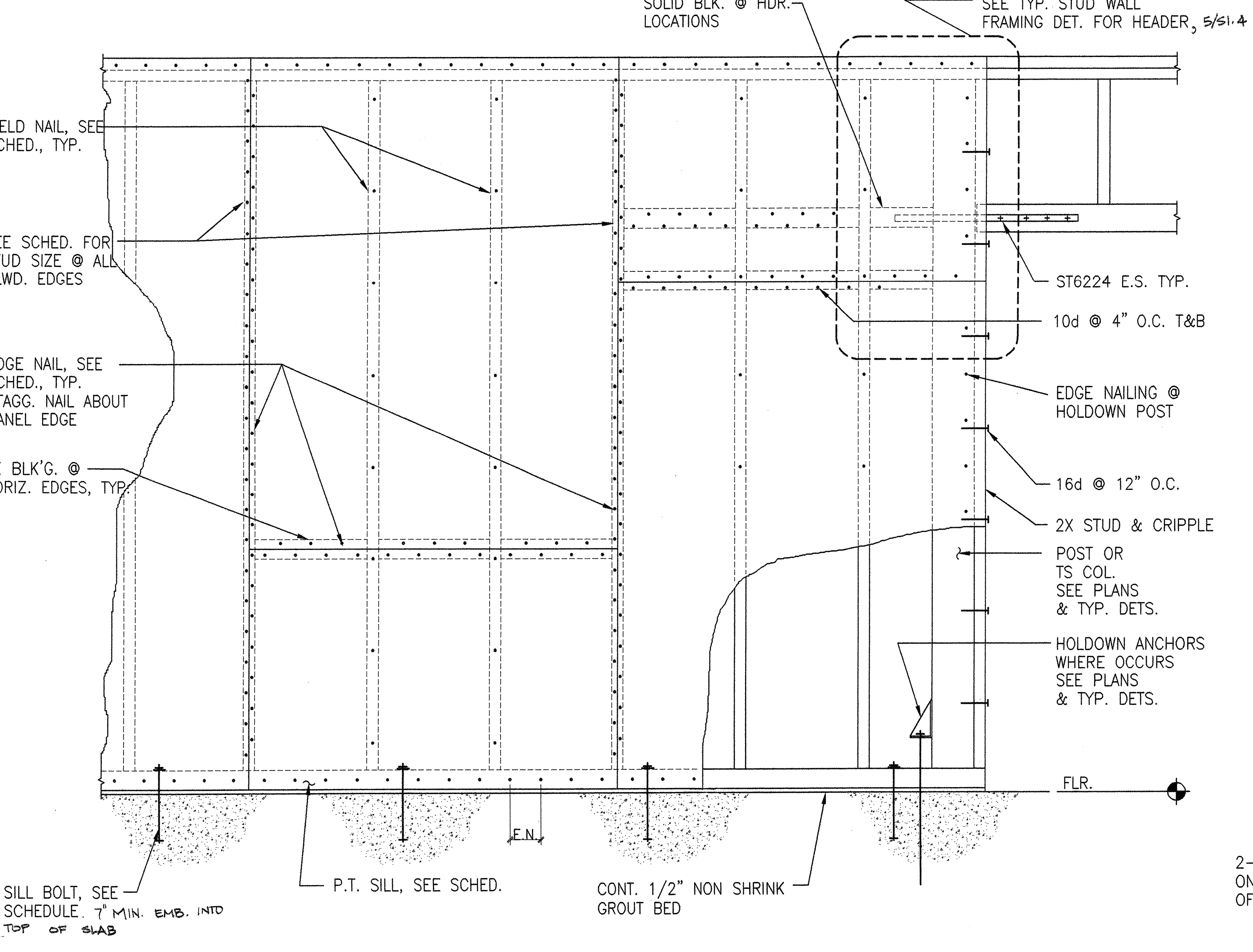
5 TYPICAL HORIZONTAL CONSTRUCTION JOINT
N.T.S.



3 TYPICAL EDGE OF SLAB
N.T.S.



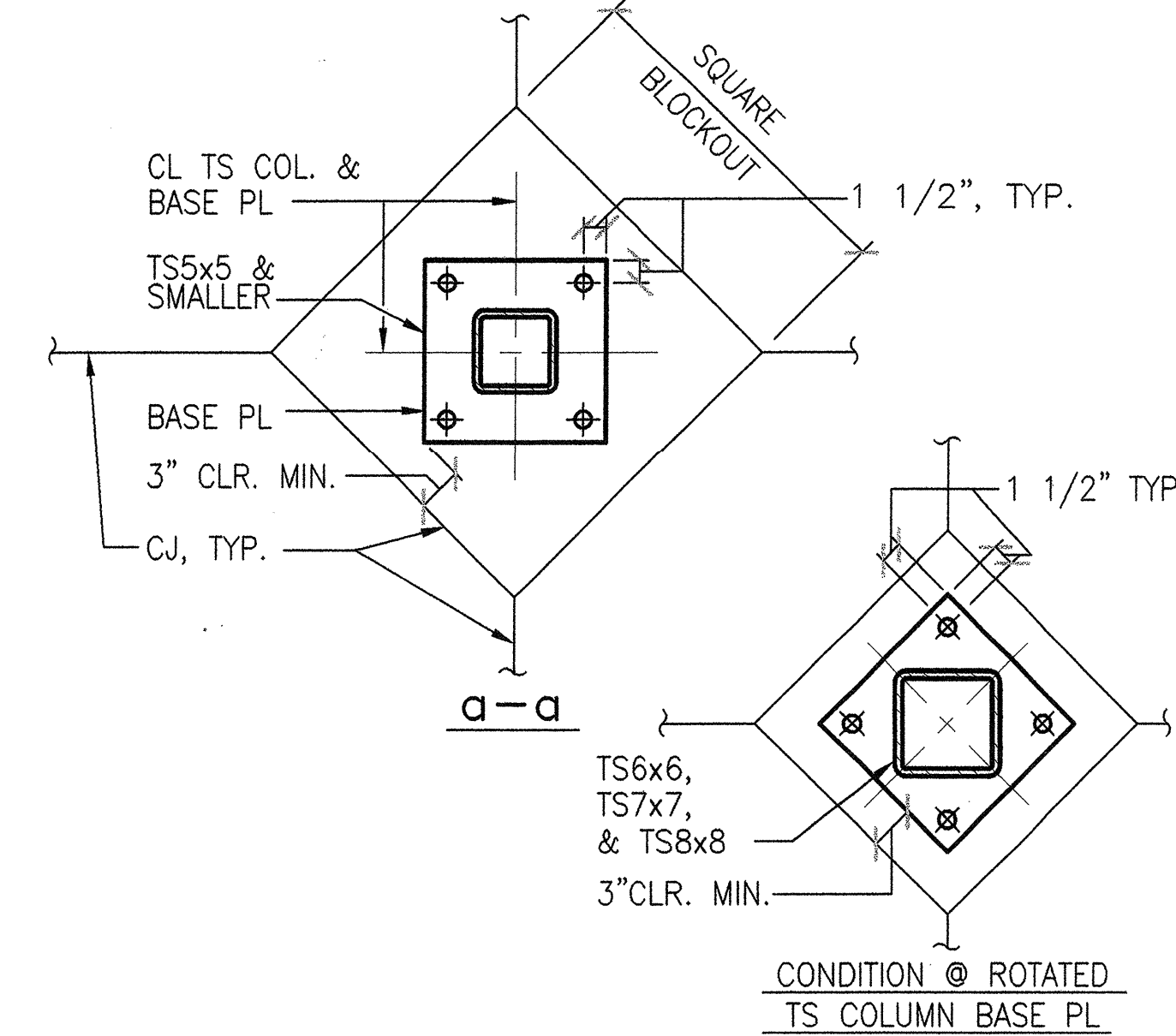
1 NON-BEARING STUDS TO CEILING OR ROOF JOISTS
N.T.S.



- NOTES:
- INDIVIDUAL PLYWOOD PIECES SHALL NOT BE LESS THAN 2'-0" IN LEAST DIMENSION NOR LESS THAN 8 SQ. FT.
 - SILL BOLTS MINIMUM PER PANEL W/ 4" MIN. AND 8" MAX. FROM EACH END. DO NOT CONSIDER HOLD-DOWN ANCHOR BOLTS AS SILL BOLTS.
 - SEE TYP. STUD WALL FRAMING DET. FOR INFO. NOT SHOWN.
 - ALL NEW WALLS TO BE 6" NOMINAL, U.O.N.
 - FOR PLYWOOD ON BOTH SIDES OF WALL, GUN NAILING ALLOWED ON FIRST PLY. SECOND PLY MUST BE HAND NAILED.

PANEL TYPE	SHGT.	SIDES	EDGE NAIL	FIELD NAIL	SILL BOLT	BOT. R. NAILING	SILL STUDS @ PANEL EDGES
①	15/32"	ONE SIDE	10d @ 4"	10d @ 12"	5/8"x1'-4" @ 32" O.C.	20d @ 3" O.C.	3X 3X
②	15/32"	ONE SIDE	10d @ 3"	10d @ 12"	5/8"x1'-4" @ 16" O.C.	20d @ 3" O.C.	3X 3X
③	15/32"	ONE SIDE	10d @ 3"	10d @ 12"	5/8"x1'-4" @ 16" O.C.	20d @ 3" O.C.	3X 3X
④	15/32"	BOTH SIDES	10d @ 4"	10d @ 12"	5/8"x1'-4" @ 12" O.C.	20d @ 2" O.C.	3X 3X

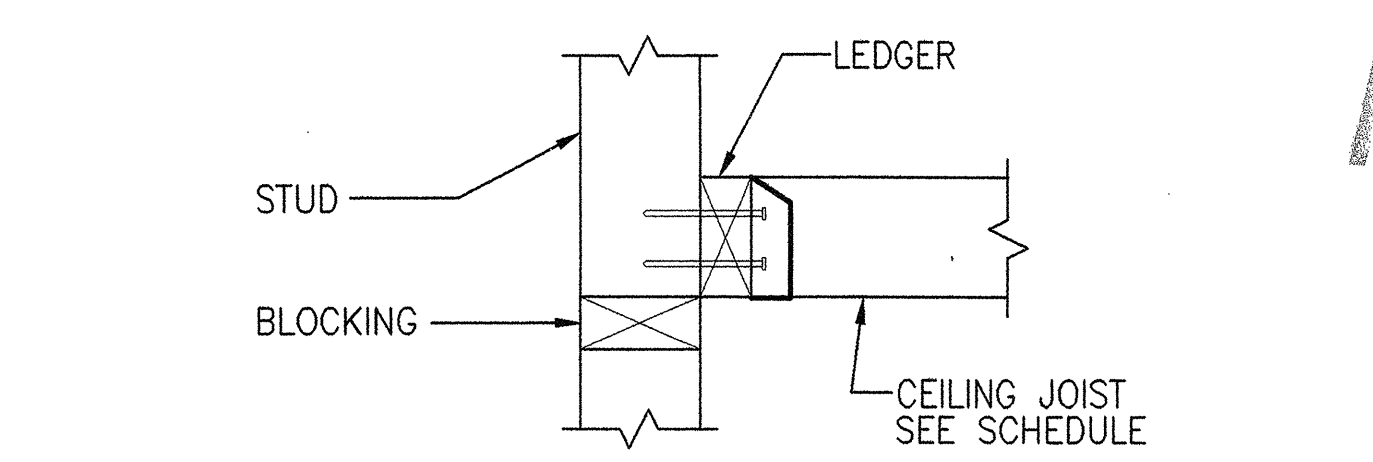
8 SHEAR WALL FRAMING
N.T.S.



4 TYPICAL INTERIOR TS COLUMN BASE PLATE DETAIL
N.T.S.

LEGEND OF CEILING JOIST SIZES		
JOIST SIZE	MAX. SPAN	AT FULL HEIGHT STUD WALL
2X4@16	8'-0"	2X4 LEDGER 2-16D EA. STUD @ 16" O.C. JOIST TO LEDGER: 2-10D TOE NAILS EA. SIDE
2X6@16	12'-0"	2X6 LEDGER (NAILING SAME AS 2X4)
2X8@16	14'-0"	2X8 LEDGER 3-16D EA. STUD @ 16" O.C. JOIST TO LEDGER: JH
2X8@12	16'-0"	2X8 LEDGER 3-16D EA. STUD JOIST TO LEDGER: JH

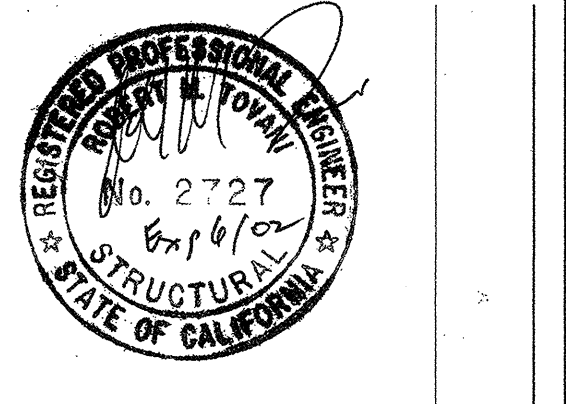
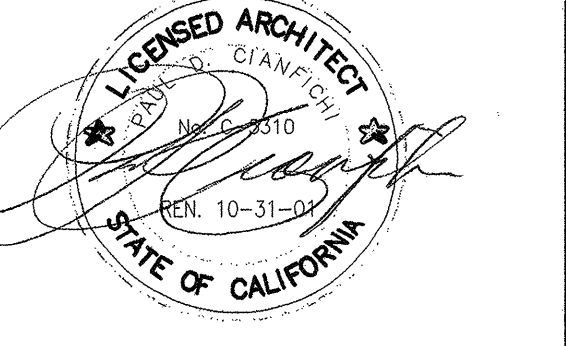
- NOTES:
- SOLID BLK. @ MIDPOINT OF JOIST AND AT ENDS
 - CONTACTOR'S OPTION TO USE CEILING JOIST SPANNING FROM WALL TO WALL OR HUNG FROM ROOF JOISTS AS SHOWN ON SECTIONS.
 - SEE ARCHITECTURAL DRAWINGS FOR CEILING LOCATIONS.
 - COORDINATE LOCATION OF ALL OPENINGS IN CEILING AND ADJUST FRAMING AS NECESSARY.



2 CEILING JOIST SCHEDULE AND DETAIL
N.T.S.

REVISIONS: Δ CHECKED REVISIONS MADE TO THIS SHEET

NO.	DATE	REASON	BY



CONSULTANT:
Degenkob Engineers
300 Frank E. Ogawa Plaza
Suite 450
Oakland, CA 94612-2001
Phone: 510-972-9949
Fax: 510-972-9538

ARCHITECT:
CIANFICHI ARCHITECTURE • PLANNING

30 ANNE COURT
WALNUT CREEK, CA 94598
TEL: (925) 256-8838
FAX: (925) 256-8852

PROJECT:
CHILD DEVELOPMENT CENTER CANADA COLLEGE

4200 FARM HILL BLVD.
REDWOOD CITY, CA 94061

SAN MATEO COUNTY COMMUNITY COLLEGE DISTRICT

STAMP:
IDENTIFICATION STAMP
DIVISION OF THE STATE ARCHITECT

APPLICANT: 103529
DATE: 5/16/14
DATE: 5/16/14

APPL. NUMBER:
KEY PLAN:

AS-BUILTS

SHEET TITLE:

TYPICAL STRUCTURAL DETAILS

DRAWN BY: JS PROJECT NO.: 30499
CHECKED BY: MAE/RT DATE: 01-13-01
APPL. NO.: SHEET: S16
DATA NO.: 105-000 NO. OF: 1

20 19 18 17 16 15 14 13 12 11 10 9 8 7 6 5 4 3 2 1