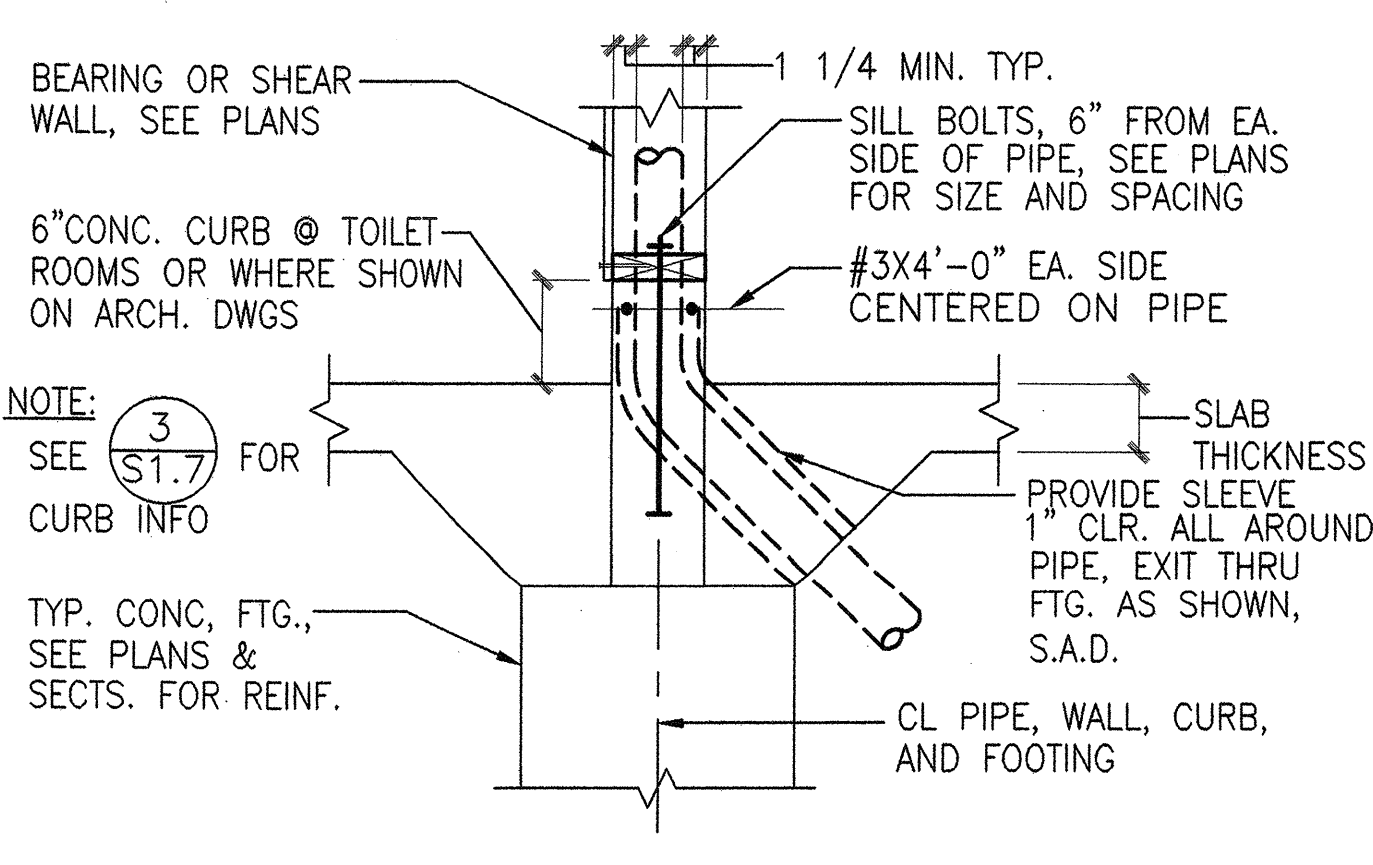
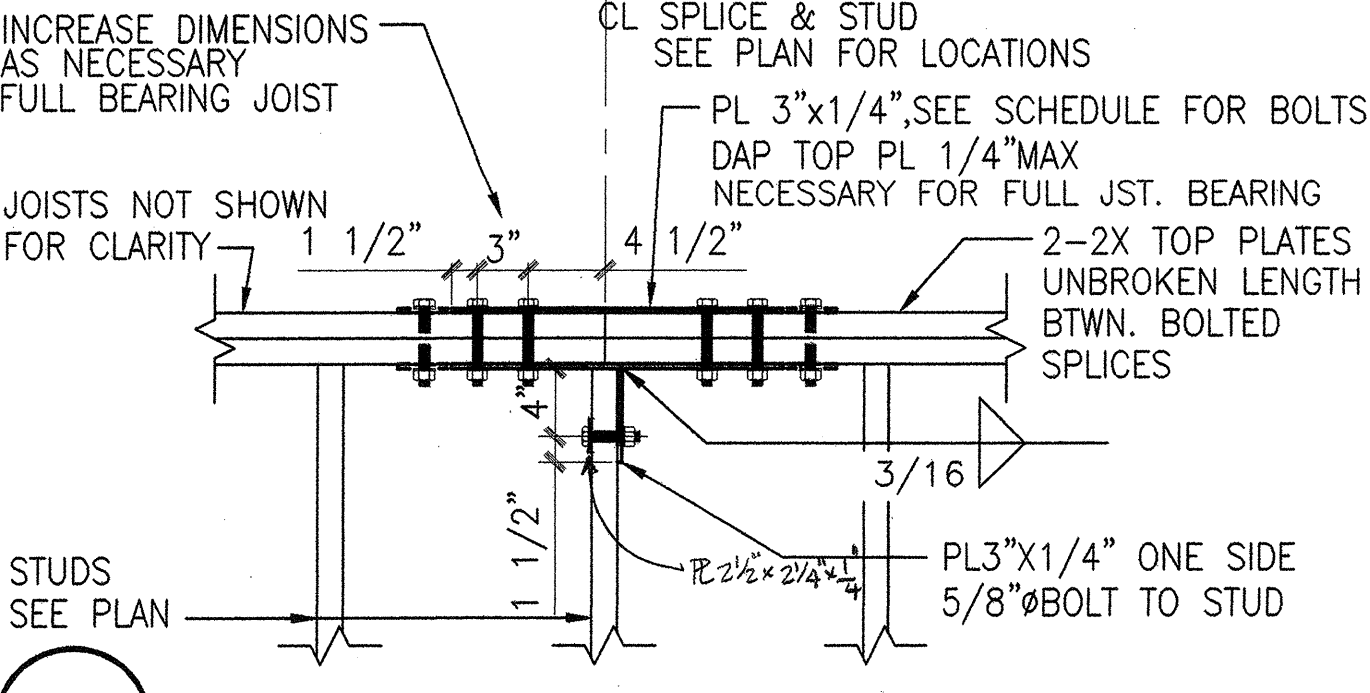


20 19 18 17 16 15 14 13 12 11 10 9 8 7 6 5 4 3 2 1

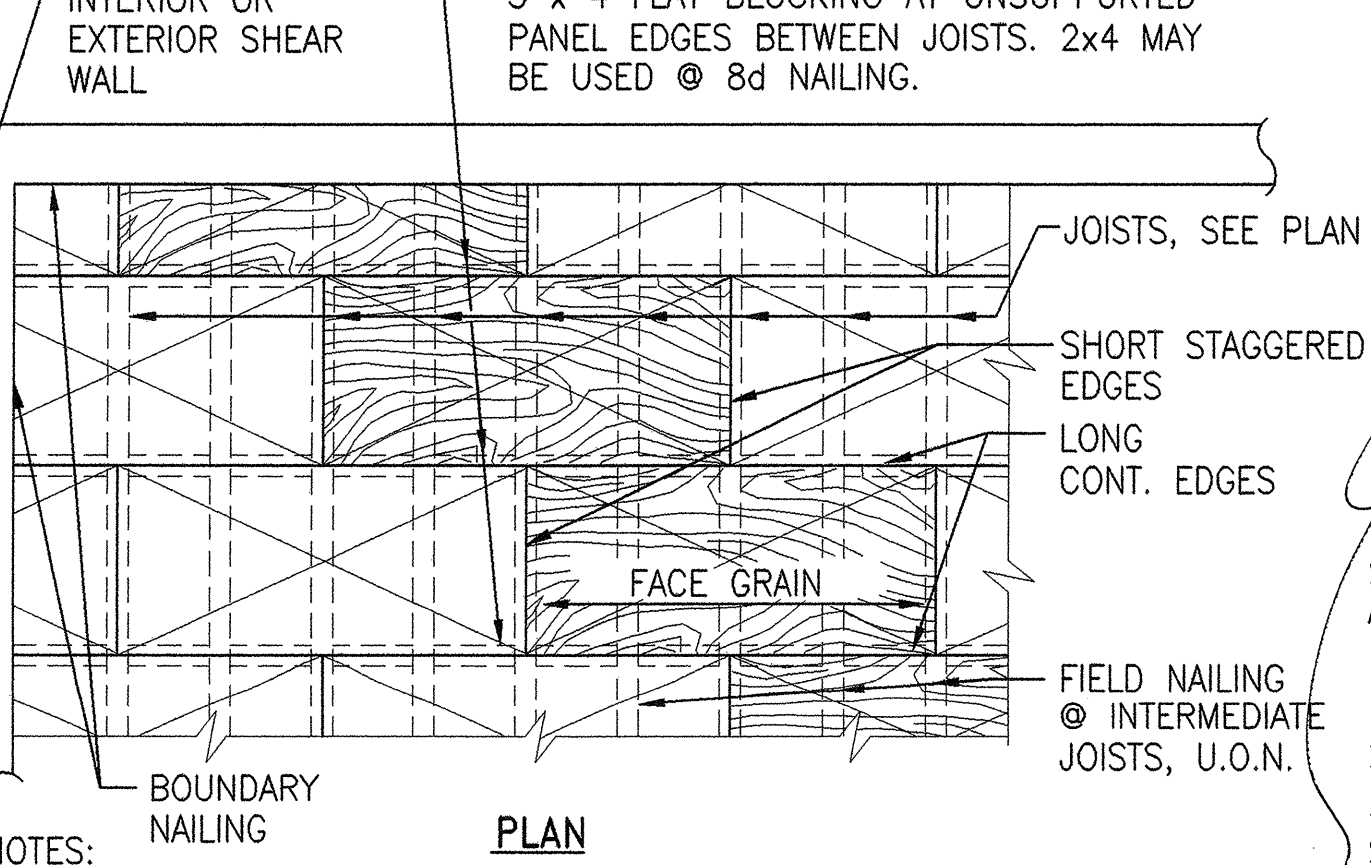


8 PIPE PENETRATION @ CONC. CURB
N.T.S.

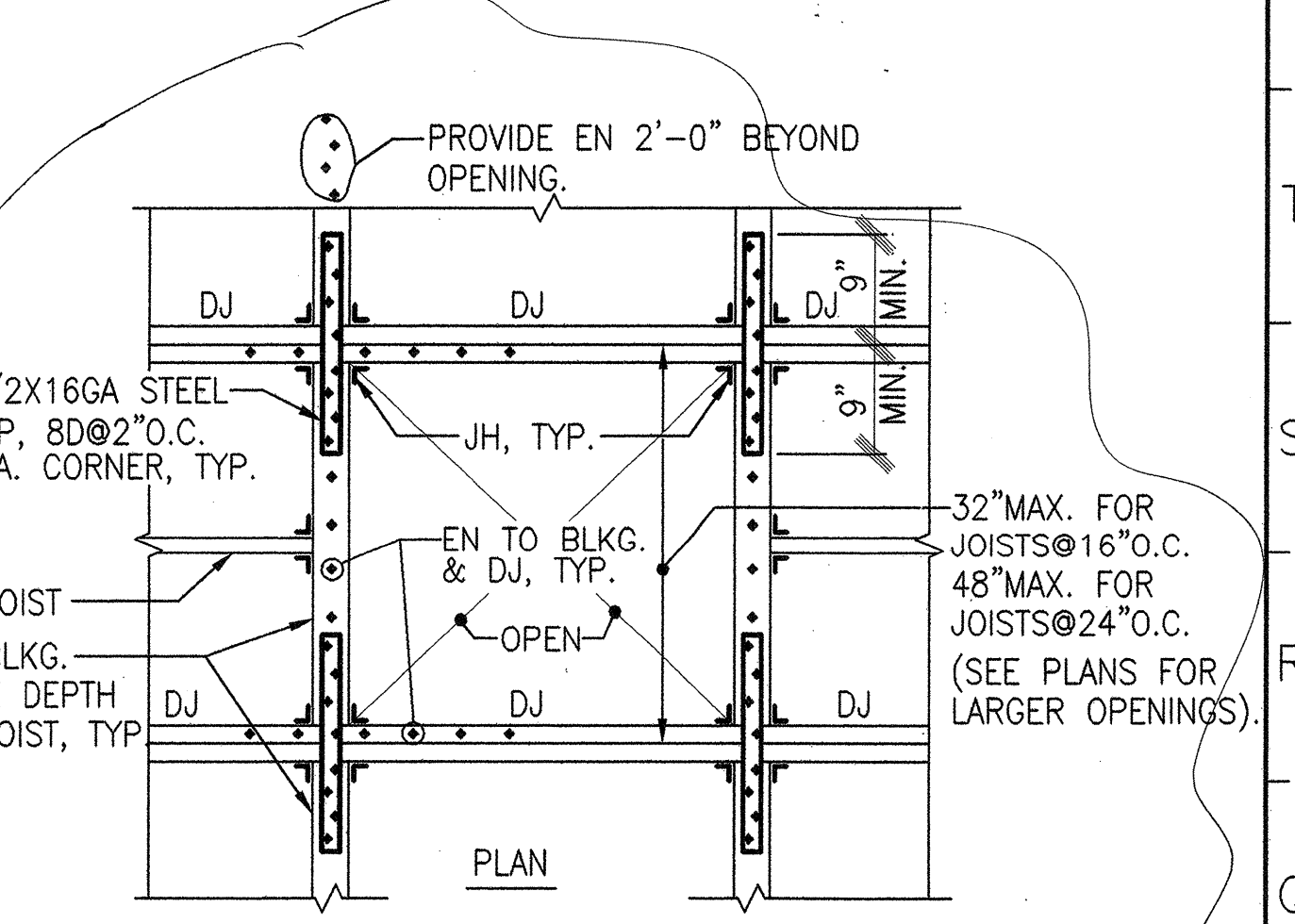
BOLTED PLATE SPLICE SCHEDULE	
MARK	NO. BOLTS EA. SIDE
PS-2	2-5/8 ϕ
PS-3	3-5/8 ϕ
PS-4	4-5/8 ϕ



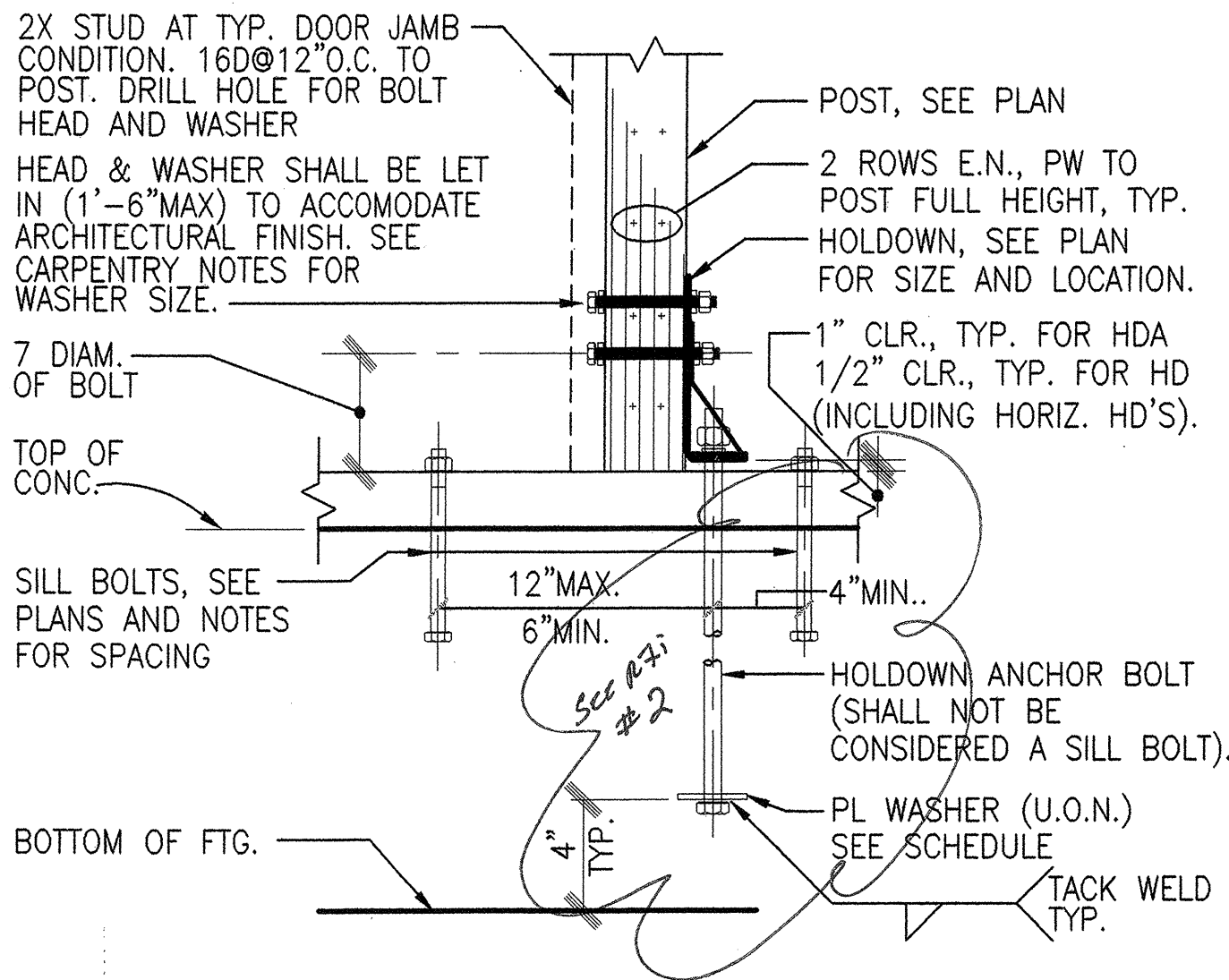
6 BOLTED TOP PLATE SPLICE
N.T.S.



4 ROOF AND FLOOR SHEATHING
N.T.S.

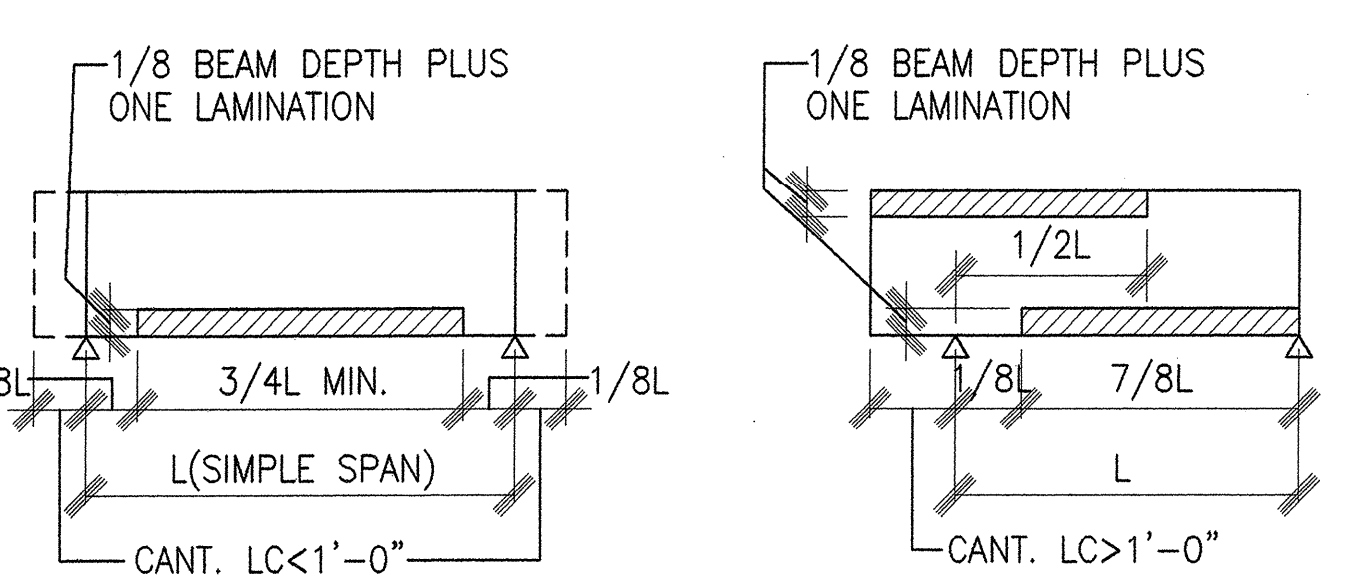


1 TYPICAL FRAMING AT OPENINGS AT ROOF
N.T.S.
RFI # 71



HOLDOWN SCHEDULE					
HD	HD ANCHOR BOLT DIAM.	MIN. EMBED.	BOLTS TO POST	ANCHOR BOLT ~P WASHER	OPTIONAL SIMPSON S5TB AB
2A	5/8 ϕ	SEE DETAIL	2-5/8 ϕ	3" ϕ x 1/2"	---
5A	3/4 ϕ	ABOVE	2-3/4 ϕ	---	---
6A	7/8 ϕ	---	2-7/8 ϕ	---	---
8A	7/8 ϕ	---	3-7/8 ϕ	---	---
10A	7/8 ϕ	---	4-7/8 ϕ	---	---
20A	1 ϕ	---	4-1 ϕ	4" ϕ x 1/2"	---
15	1 1/4 ϕ	---	5-1 ϕ	4" ϕ x 1/2"	---

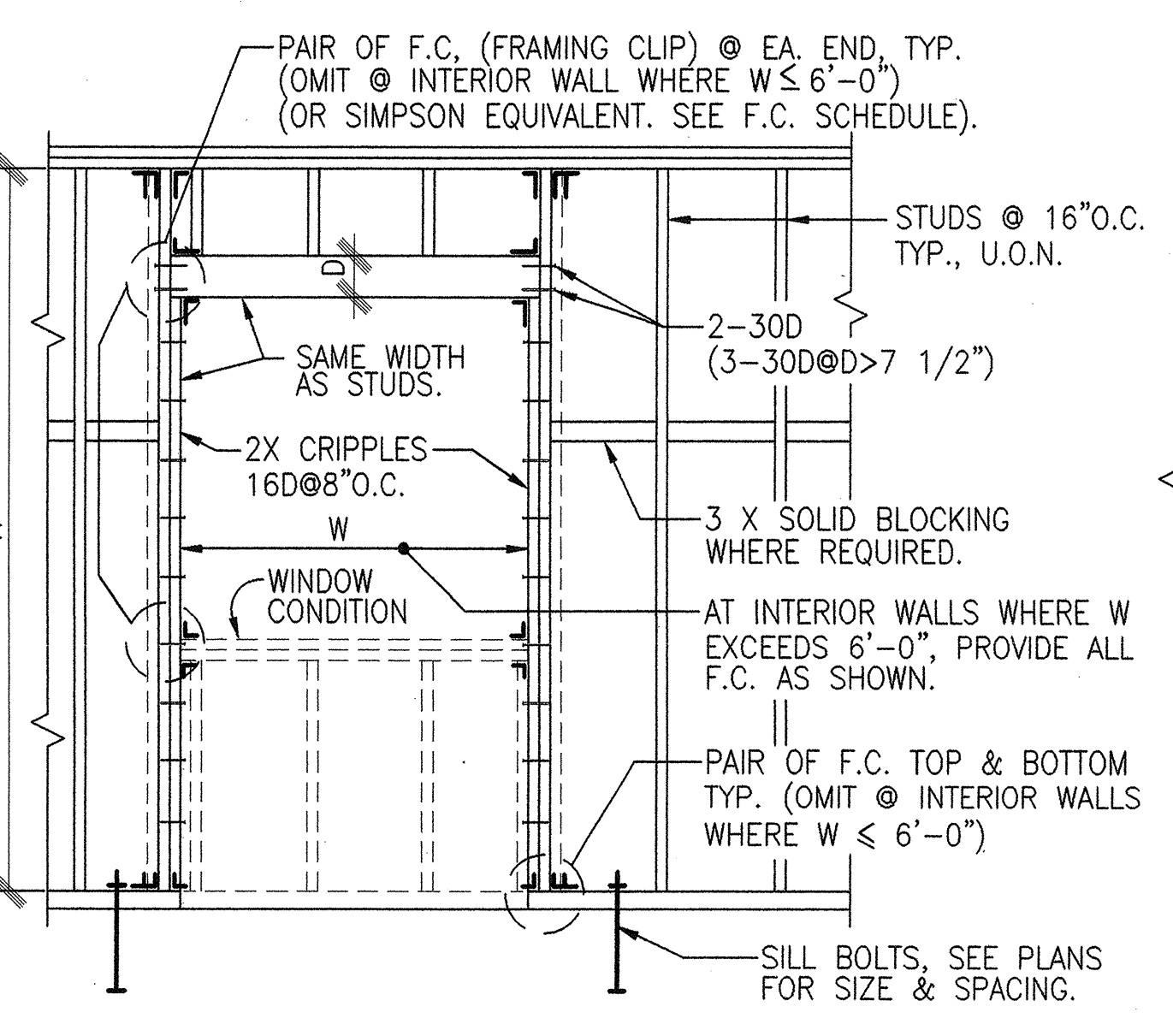
9 SIMPSON HOLDOWN DETAIL
N.T.S.



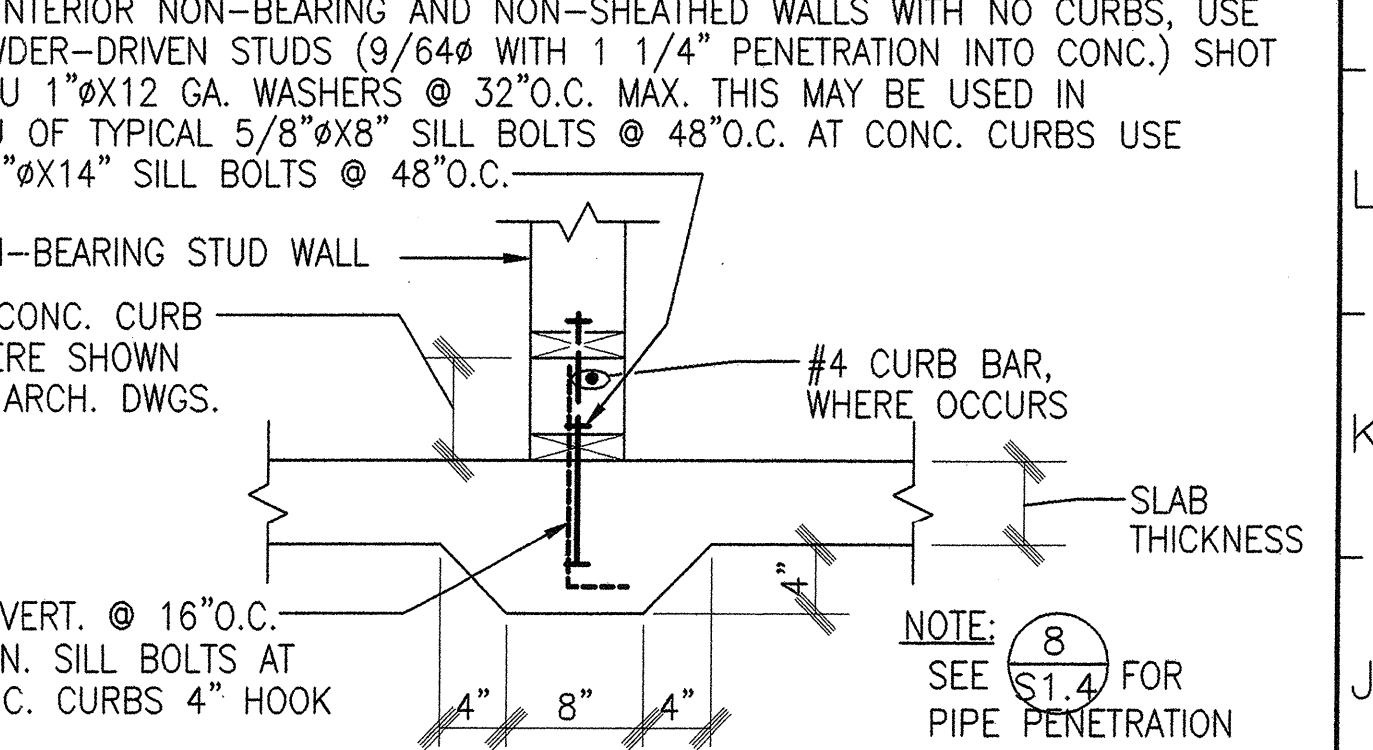
7 SPACING OF END JOINTS IN GLUE-LAMINATED BEAMS
N.T.S.

TYP. HEADER SCHEDULE	
D (M. DEPTH)	W (OPG. WIDTH)
7 1/2"	4' TO 8'
9 1/2"	8' TO 10'
11 1/2"	10' TO 12'

NOTE: SEE PLANS & SECTIONS FOR HEADER WHERE W IS GREATER THAN 12'-0"



5 TYPICAL FRAMING AT DOORS AND WINDOWS
N.T.S.



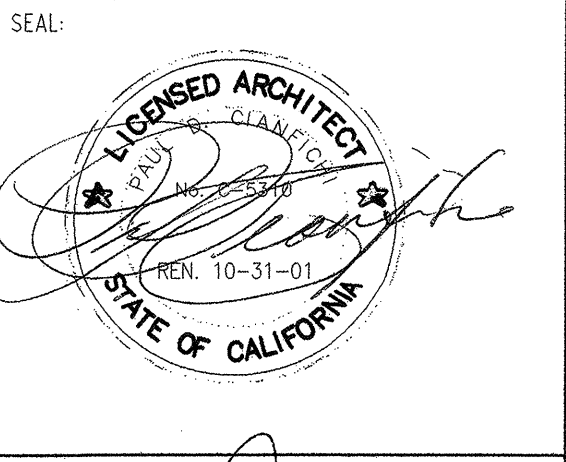
2 NON-BEARING STUDS ON SLAB-ON-GRADE
N.T.S.

SIMPSON MODEL NO. (EQUIV.)	"FC" SCHEDULE			
	W	NO. L	NO. OF 10D NAILS EA. LEG	
L30	4"	#3	3"	2
L50	6"	#5	5"	3
L70	8"	#7	7"	4
L90	10"	#9	9"	5

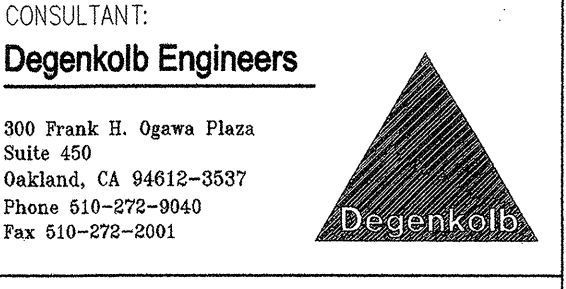
CLIPS ARE 16GA SHEET STEEL BENT ON 1/16" RADIUS. INSTALL IN PAIRS UNLESS NOTED OTHERWISE. CUT NAILS TO LENGTH WHERE NECESSARY. DRILL HOLES 11/64" DIAMETER FOR 10D NAILS. SHORT LEG TO CONT. MEMBER

3 SHEET METAL FRAMING CLIP "FC"
N.T.S.

REVISIONS: (A) UNLESS NOTED MAKE TO THIS SHEET			
NO.	DATE	REASON	BY



CONSULTANT:
Degenkob Engineers
300 Frank H. Ogawa Plaza
Suite 450
Oakland, CA 94612-5537
Phone 510-972-9500
Fax 510-972-9001



PROJECT:
CHILD DEVELOPMENT CENTER CANADA COLLEGE
4200 FARM HILL BLVD. REDWOOD CITY, CA 94061

STAMP:
IDENTIFICATION STAMP
DIVISION OF THE STATE ARCHITECT
APPROX 108529
DATE: 8/14/01
DATE: 8/14/01

APPL. NO.:
KEY PLAN:

SHEET TITLE:
TYPICAL STRUCTURAL DETAILS

DRAWN BY: **JS** PROJECT NO.: **304.99**
CHECKED BY: **MAE/RT** DATE: **01-13-01**

APPL. NO.: **S1.4**
NO. OF: **103-000**

20 19 18 17 16 15 14 13 12 11 10 9 8 7 6 5 4 3 2 1 TWD015D