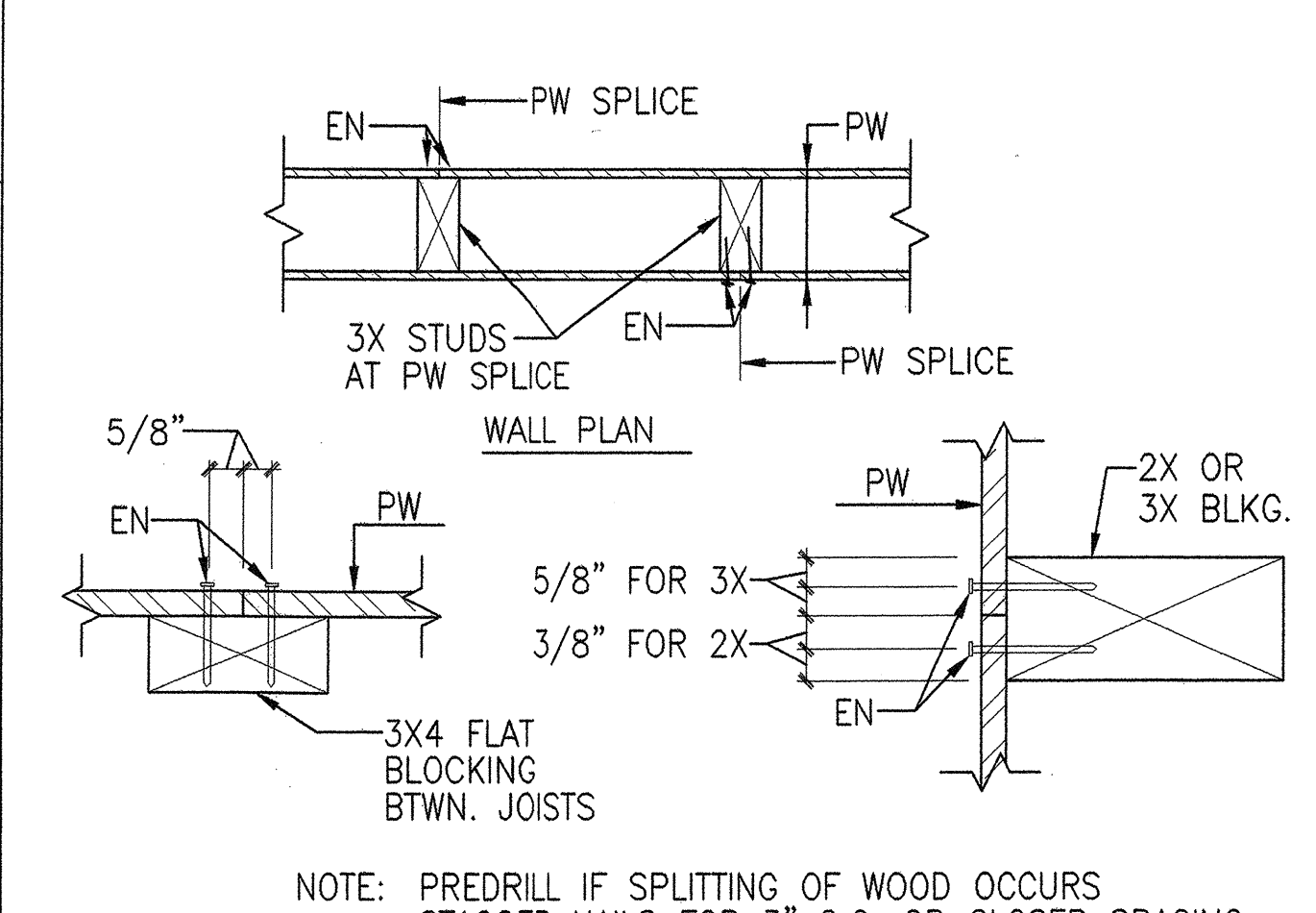
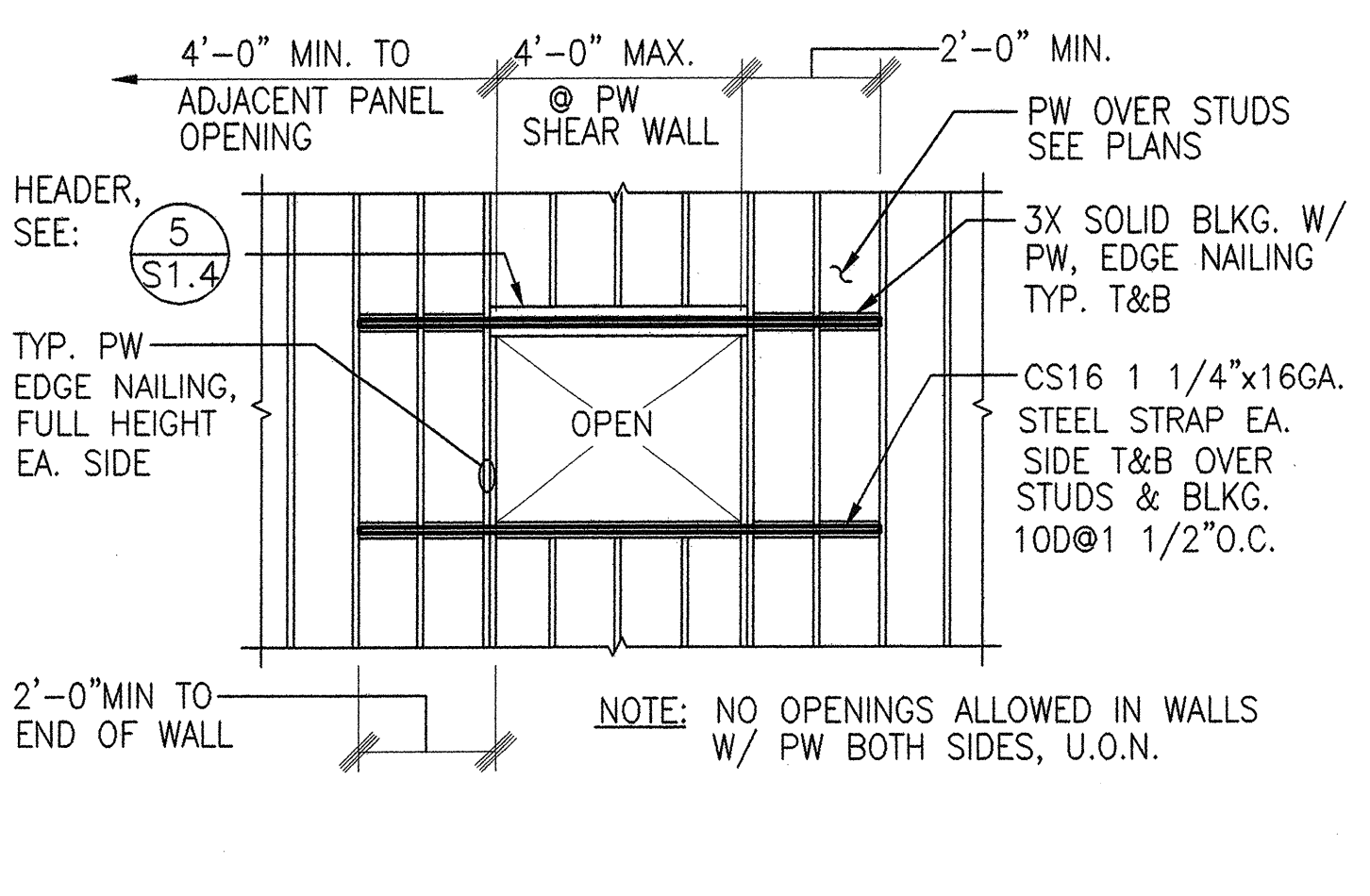


20 19 18 17 16 15 14 13 12 11 10 9 8 7 6 5 4 3 2 1

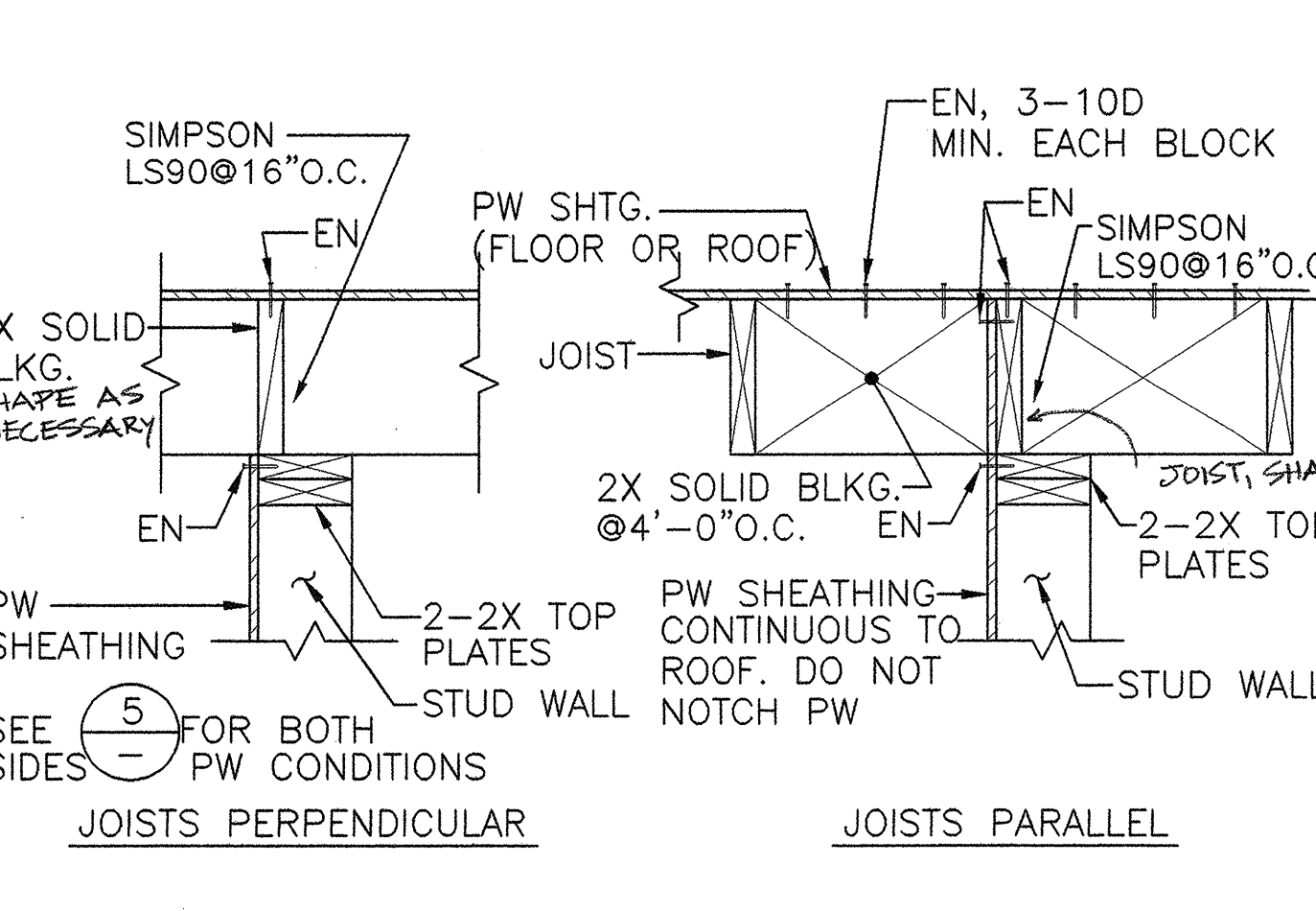
U  
T  
S  
R  
Q  
N  
M  
L  
K  
J  
H  
G  
F  
E  
D  
C  
B  
A



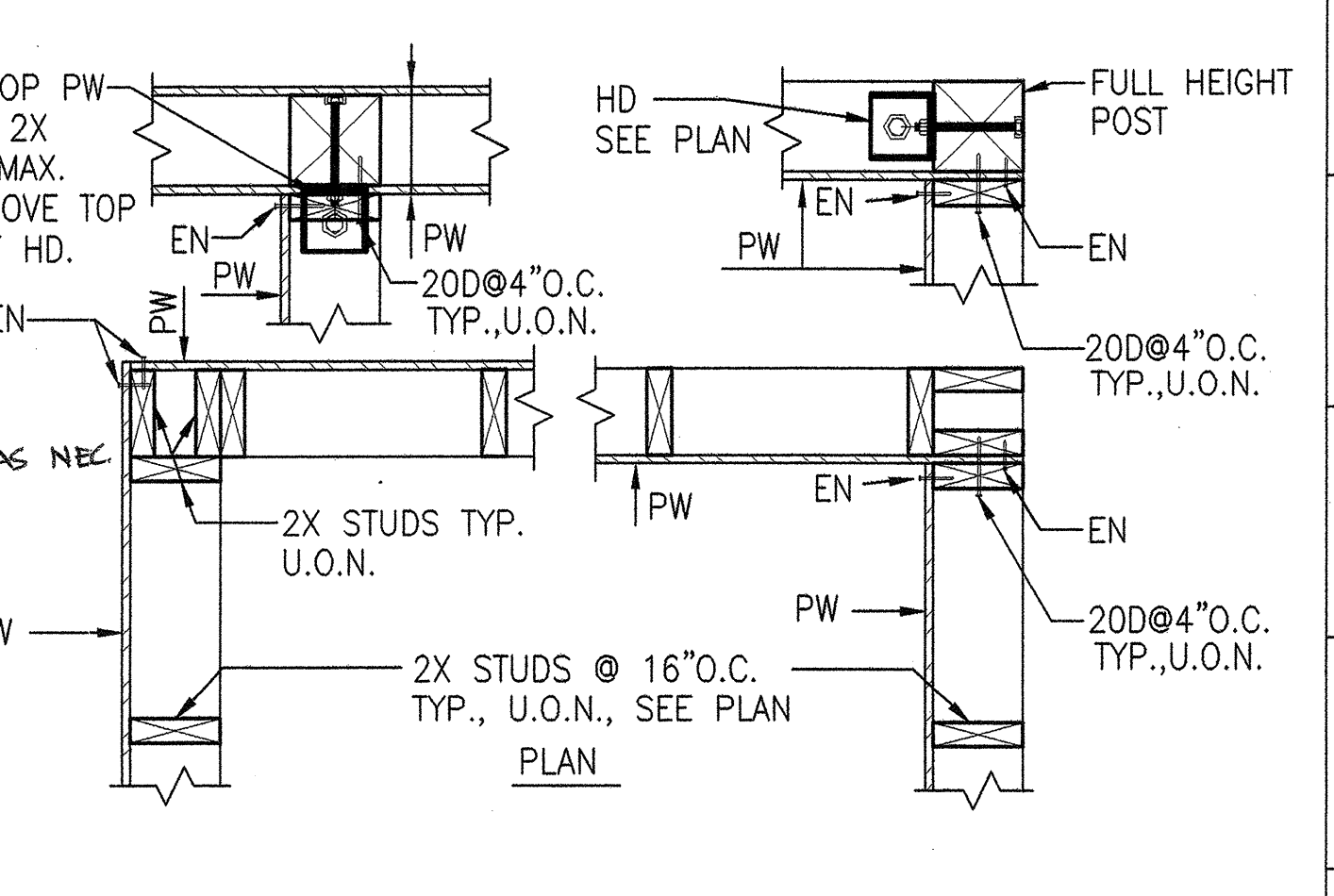
**11 PLYWOOD SPLICE DETAIL**  
N.T.S.



**8 TYPICAL MECH. AND ELECT. PANEL OPENING IN PW SHEAR WALL**  
N.T.S.

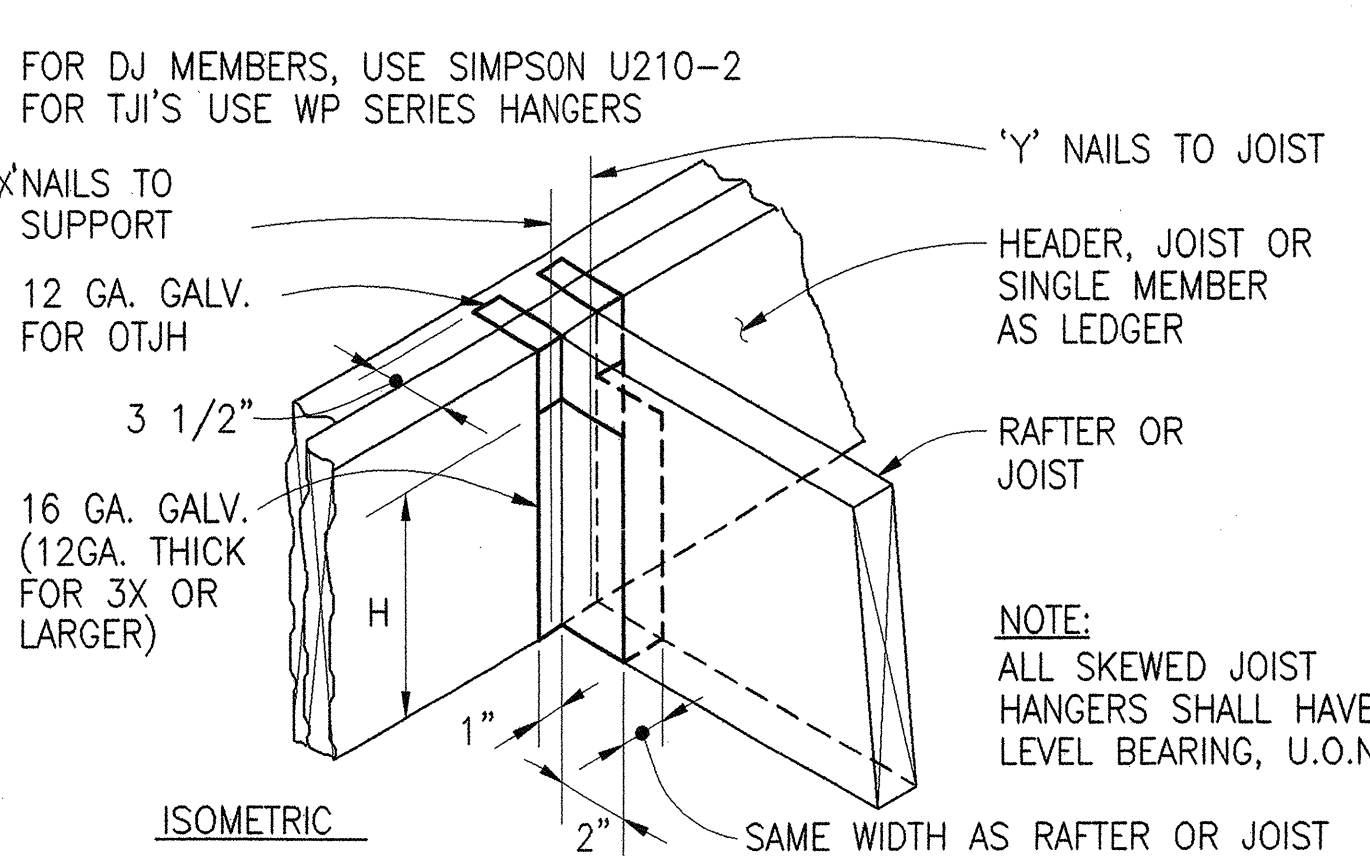


**4 SHEAR WALL TOP CONNECTION PLYWOOD ONE SIDE**  
N.T.S.

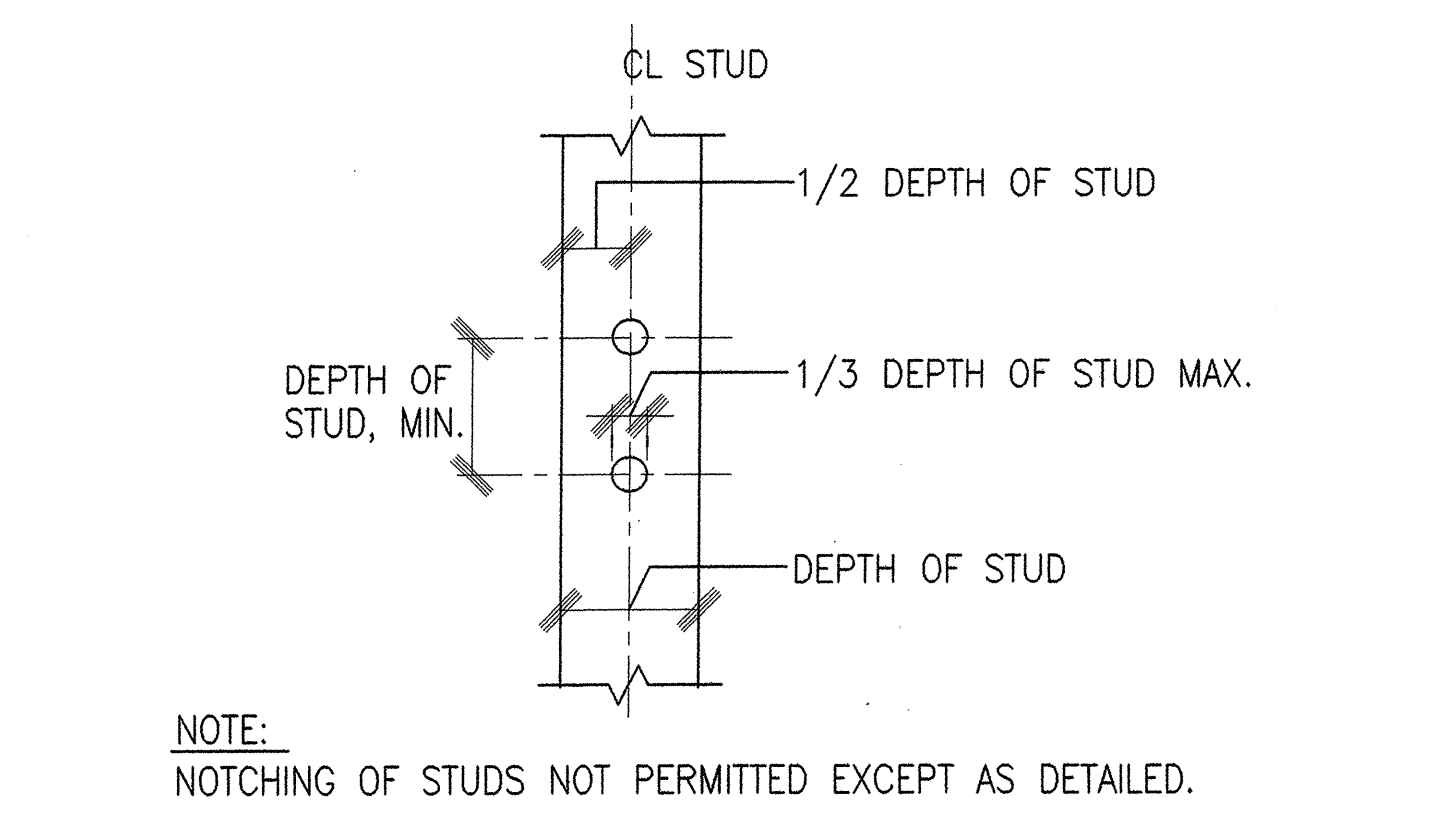


**1 FRAMING AT EXTERIOR STUD WALL CORNERS**  
N.T.S.

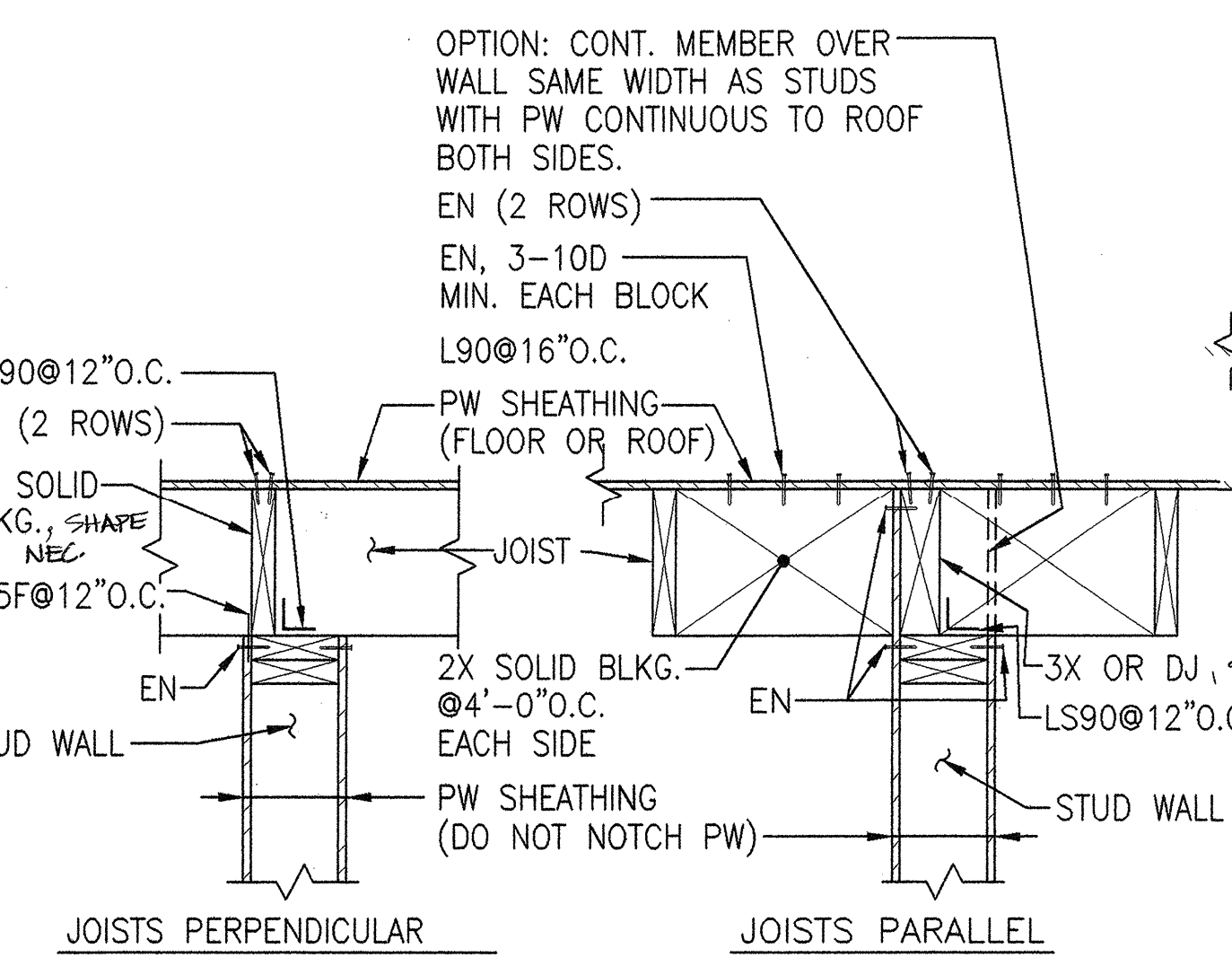
SIMPSON MODEL NO.	JOIST SIZE		DIM. H	NAILS		
	X	Y		X	Y	Z
U24	2x4	3x4	3"	4-10d	2-10d	2-10d
U34	2-2x4	3x4	3"	4-16d	2-10d	2-10d
U26	2x6	2x8	5"	6-10d	4-10d	4-10d
U36	3x6	2-2x6	5"	8-16d	4-10d	4-10d
U210	2x10	2x12	8 1/8"	10-16d	6-10d	
U214	2x14	2x16	10"	12-16d	8-10d	
HU38TF	3x8	2-2x8	6 5/8"	10-16d	4-10d	4-16d
HU68TF	6x8	2-2x8	6 5/8"	10-16d	4-10d	4-16d
HU310TF	3x10	2-2x10	8 3/8"	14-16d	6-10d	6-16d
HU610TF	6x10	2-2x10	8 3/8"	14-16d	6-10d	6-16d
HU312TF	3x12	2-2x12	10 1/8"	16-16d	6-10d	6-16d
HU612TF	6x12	2-2x12	10 1/8"	16-16d	6-10d	6-16d
HU314TF	3x14	2-2x14	11 7/8"	18-16d	6-10d	6-16d
HU614TF	6x14	2-2x14	11 7/8"	18-16d	6-10d	6-16d
HU316TF	3x16	2-2x16	13 5/8"	20-16d	8-10d	8-16d
HU616TF	6x16	2-2x16	13 5/8"	20-16d	8-10d	8-16d



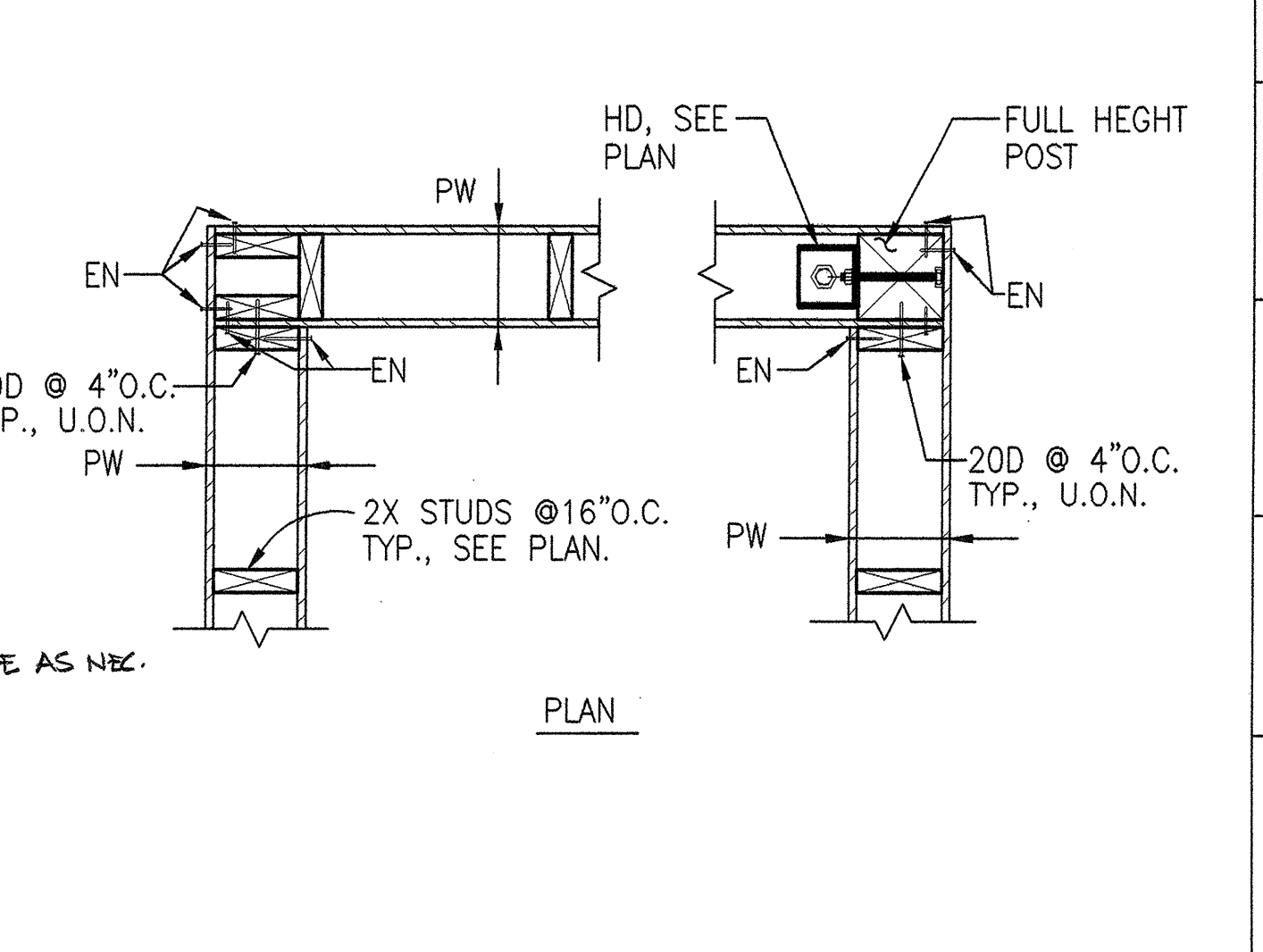
**12 JOIST HANGER (JH OR OTJH) SCHEDULE**  
N.T.S.



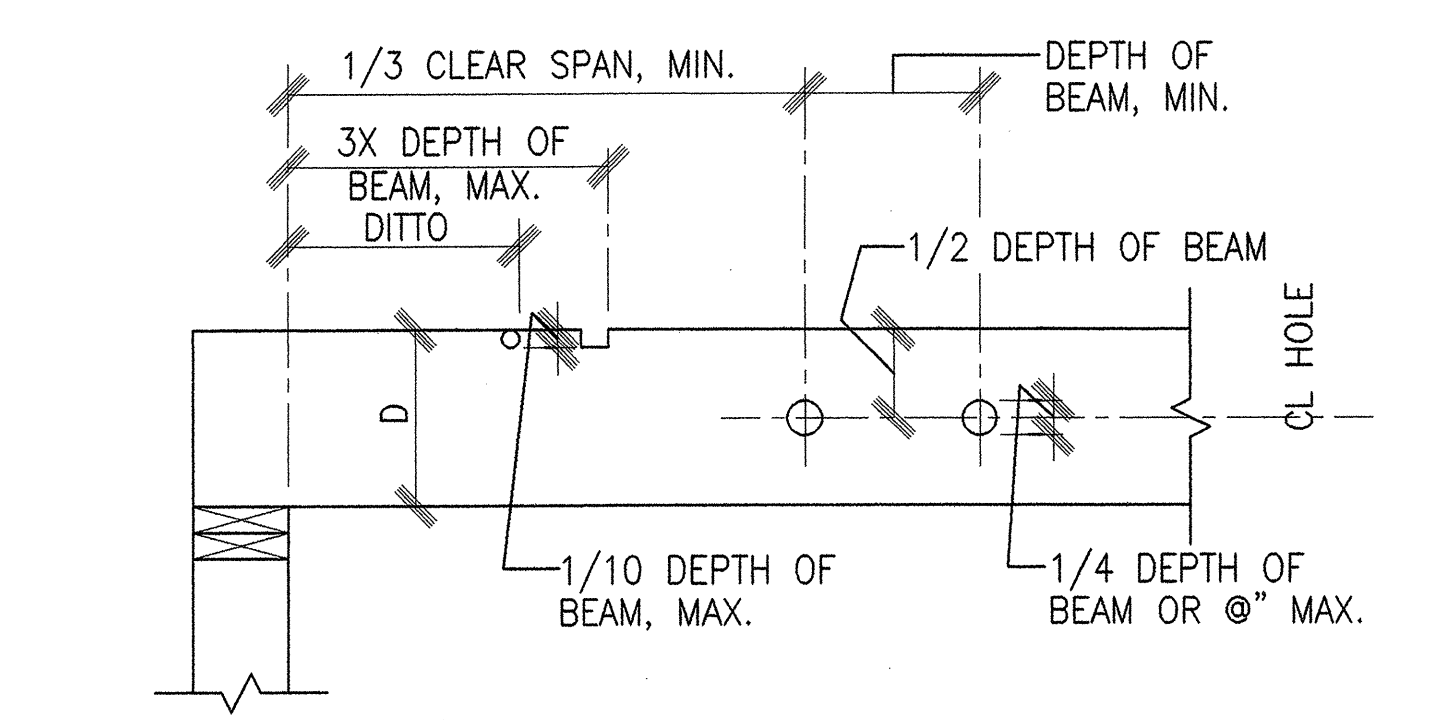
**9 HOLES IN STUDS**  
N.T.S.



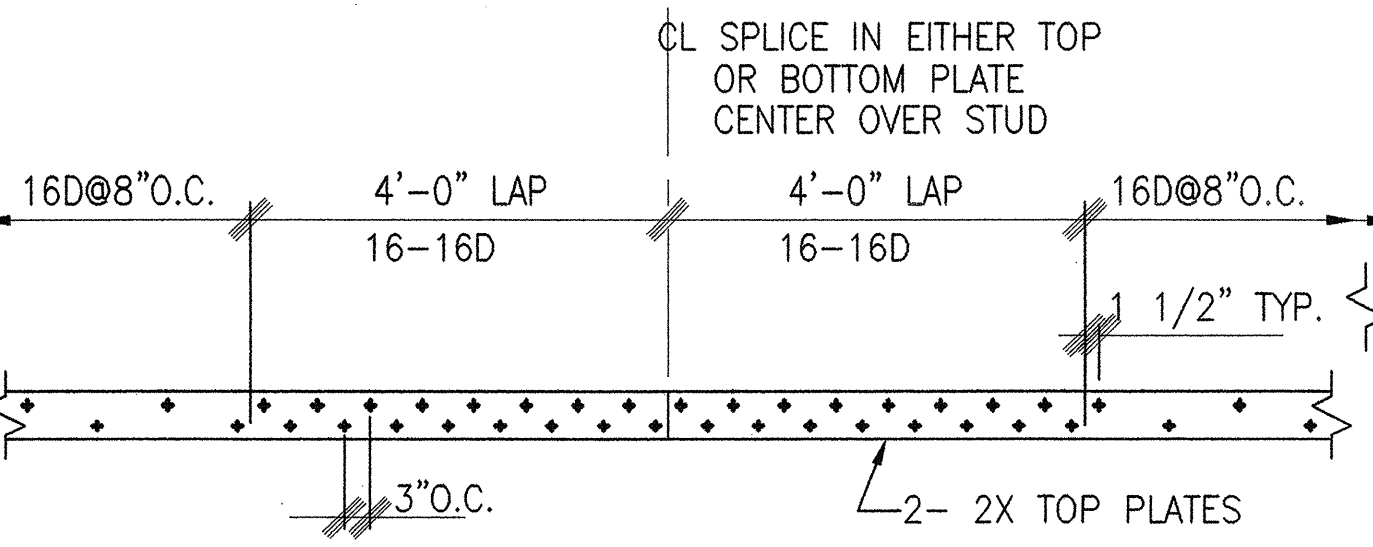
**5 SHEAR WALL TOP CONNECTION PLYWOOD BOTH SIDES**  
N.T.S.



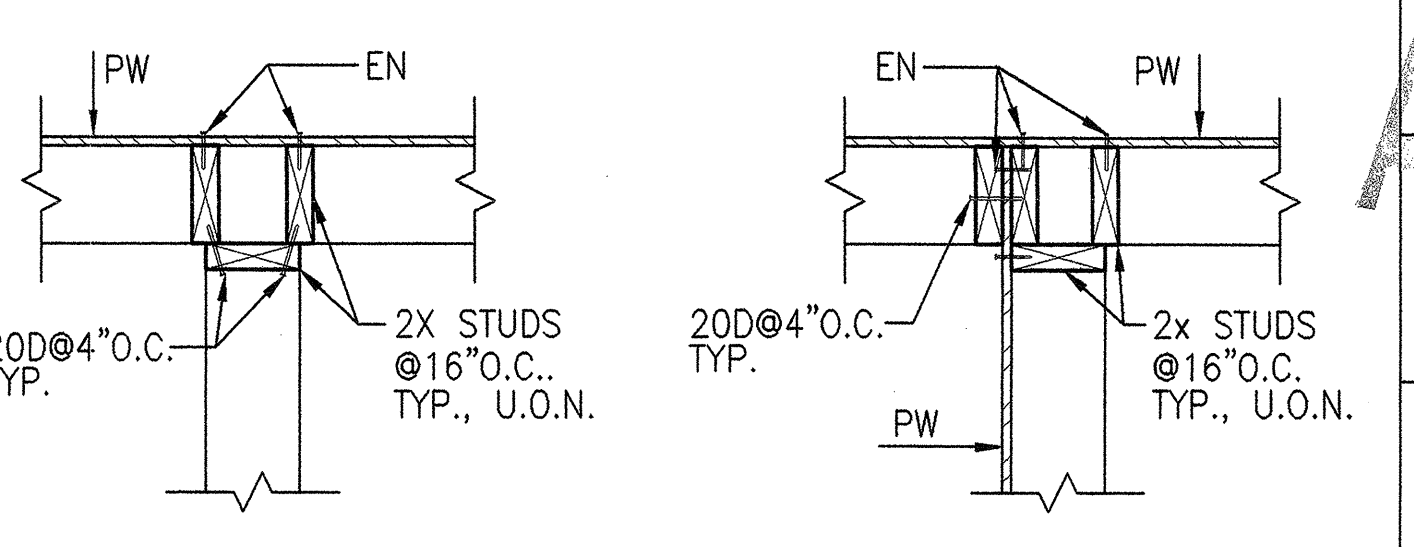
**2 FRAMING AT EXTERIOR STUD WALL CORNERS**  
N.T.S.



**10 HOLES & NOTCHES IN BEAMS & JOISTS**  
N.T.S.



**7 NAILED TOP PLATE SPLICE**  
SEE GENERAL NOTES FOR ADDIT. TYP. NAILING NOT SHOWN.



**3 FRAMING AT WALLS INTERSECTING EXTERIOR STUD WALLS**  
N.T.S.

REVISIONS: (A) (CHECKS BEING MADE TO THE SHEET)

NO.	DATE	REASON	BY

SEAL:

CONSULTANT: **Degenkolb Engineers**  
300 Frank B. Ogawa Plaza  
Suite 600  
Oakland, CA 94612-2901  
Phone: (925) 256-8638  
Fax: (925) 272-8628

ARCHITECT: **CIANFICHI ARCHITECTURE • PLANNING**  
30 ANNE COURT  
WALNUT CREEK, CA 94598  
TEL: (925) 256-8638  
FAX: (925) 256-8852

PROJECT: **CHILD DEVELOPMENT CENTER CANADA COLLEGE**  
4200 FARM HILL BLVD.  
REDWOOD CITY, CA 94061

SAN MATEO COUNTY COMMUNITY COLLEGE DISTRICT

STAMP: IDENTIFICATION STAMP  
DIVISION OF THE STATE ARCHITECT  
APPL 01 108529  
AC - FILED 5/14/14  
DATE 5/14/14  
APPL NUMBER: 5/14/14  
KEY PLAN:

**AS-BUILTS**

SHEET TITLE: **TYPICAL STRUCTURAL DETAILS**

DRAWN BY: JS	PROJECT NO.: 304.99
CHECKED BY: MAE/RT	DATE: 01-13-01
APPL NO.: 102-000	SHEET: <b>S13</b>
DATA NO.: 102-000	NO. OF: