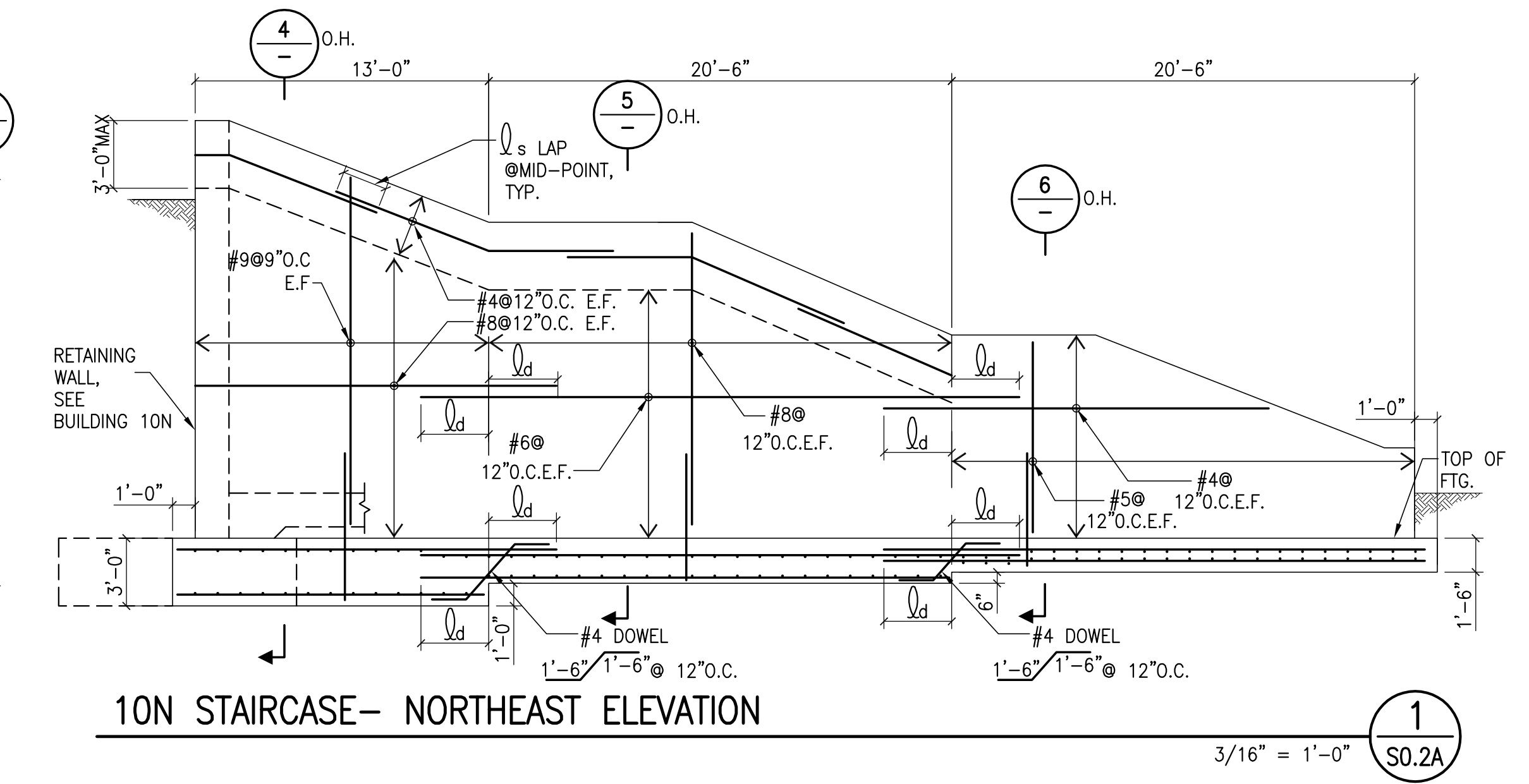


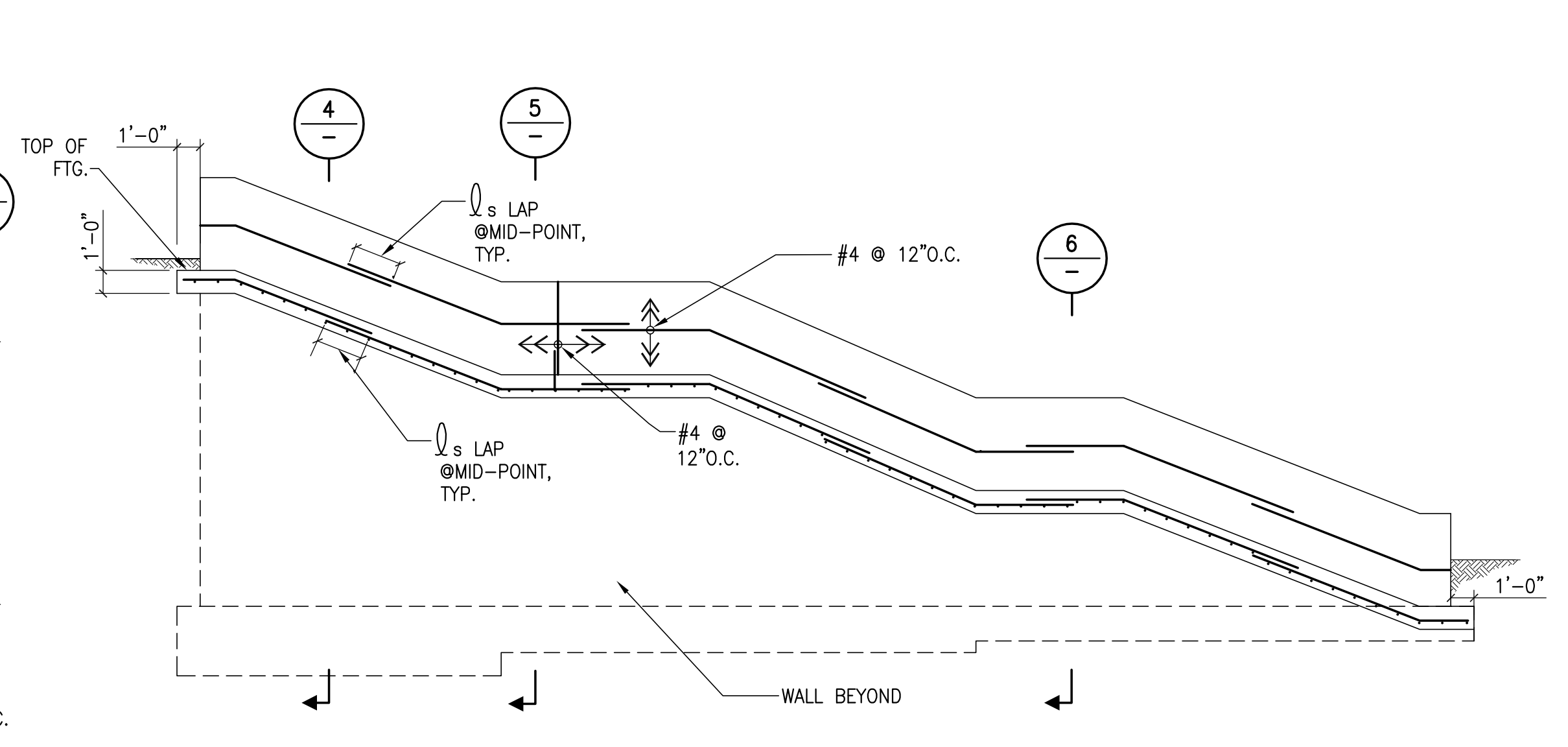
Table with 4 columns: Revision, Description, Date, and Status. Contains revision history entries.

Table with 4 columns: Date, Description, and Status. Contains project milestones and dates.

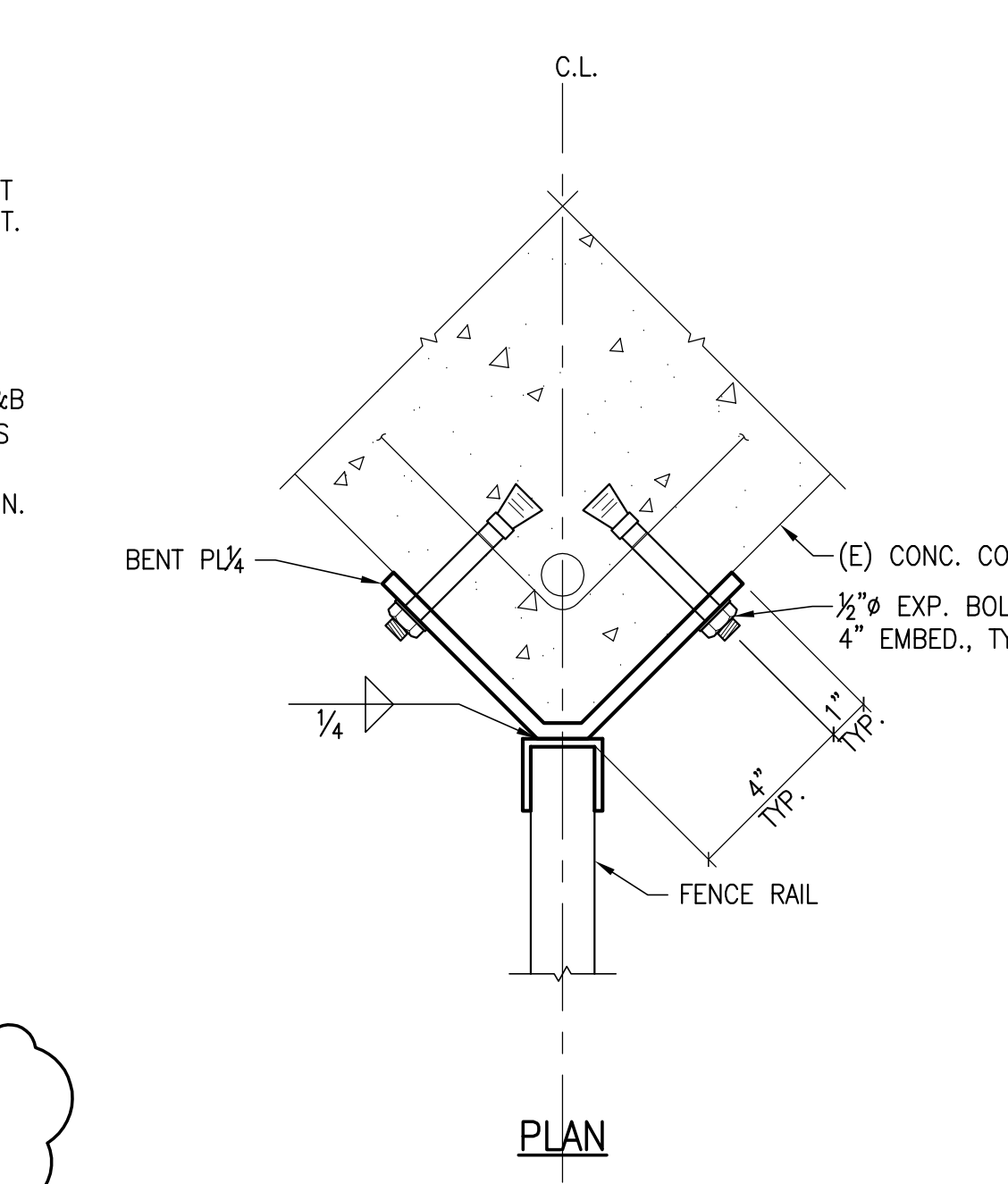
Table with 4 columns: Job No., Date, Drawn by, and Checked by. Contains project identification information.



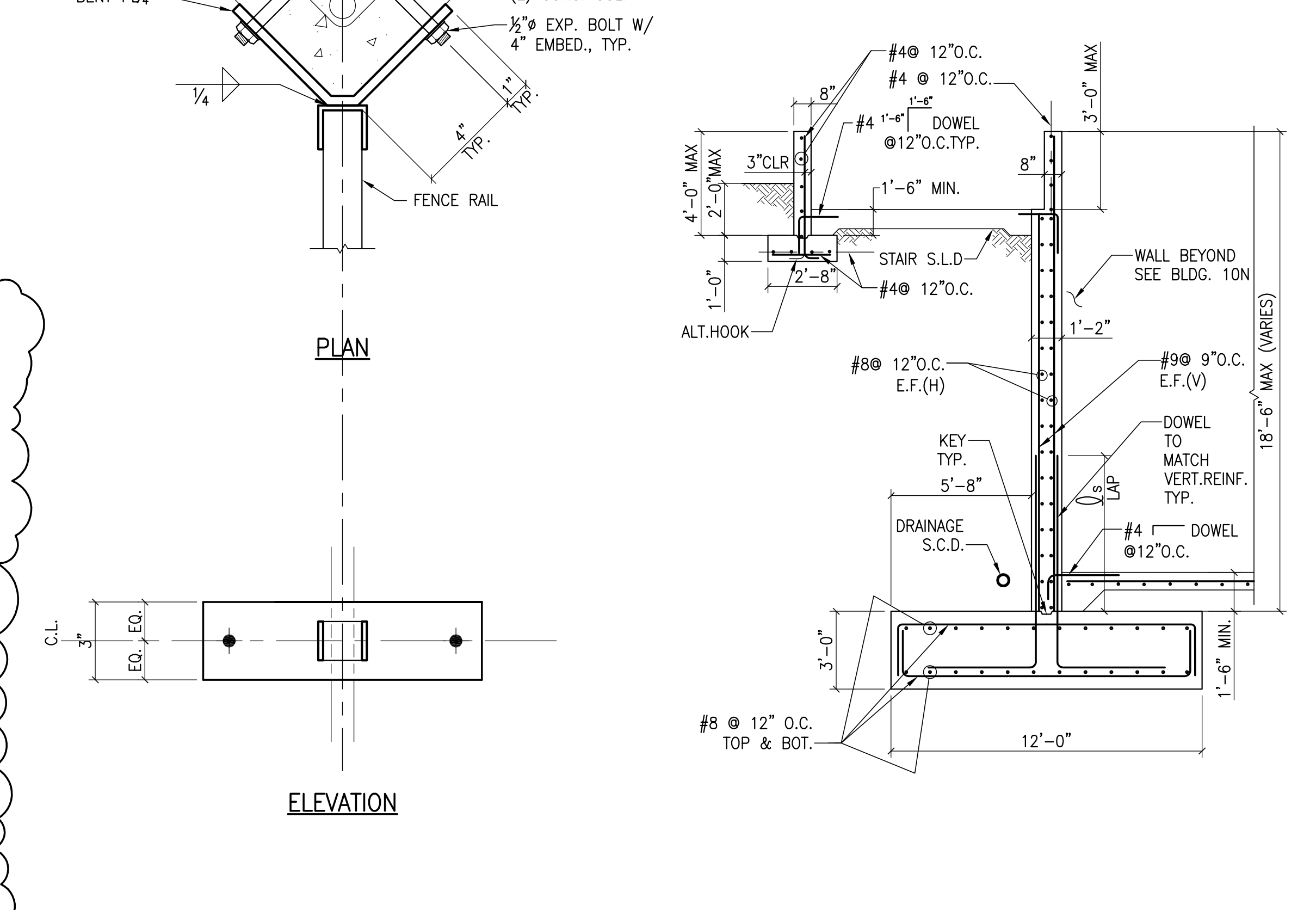
10N STAIRCASE - NORTHEAST ELEVATION  
3/16" = 1'-0"  
S0.2A



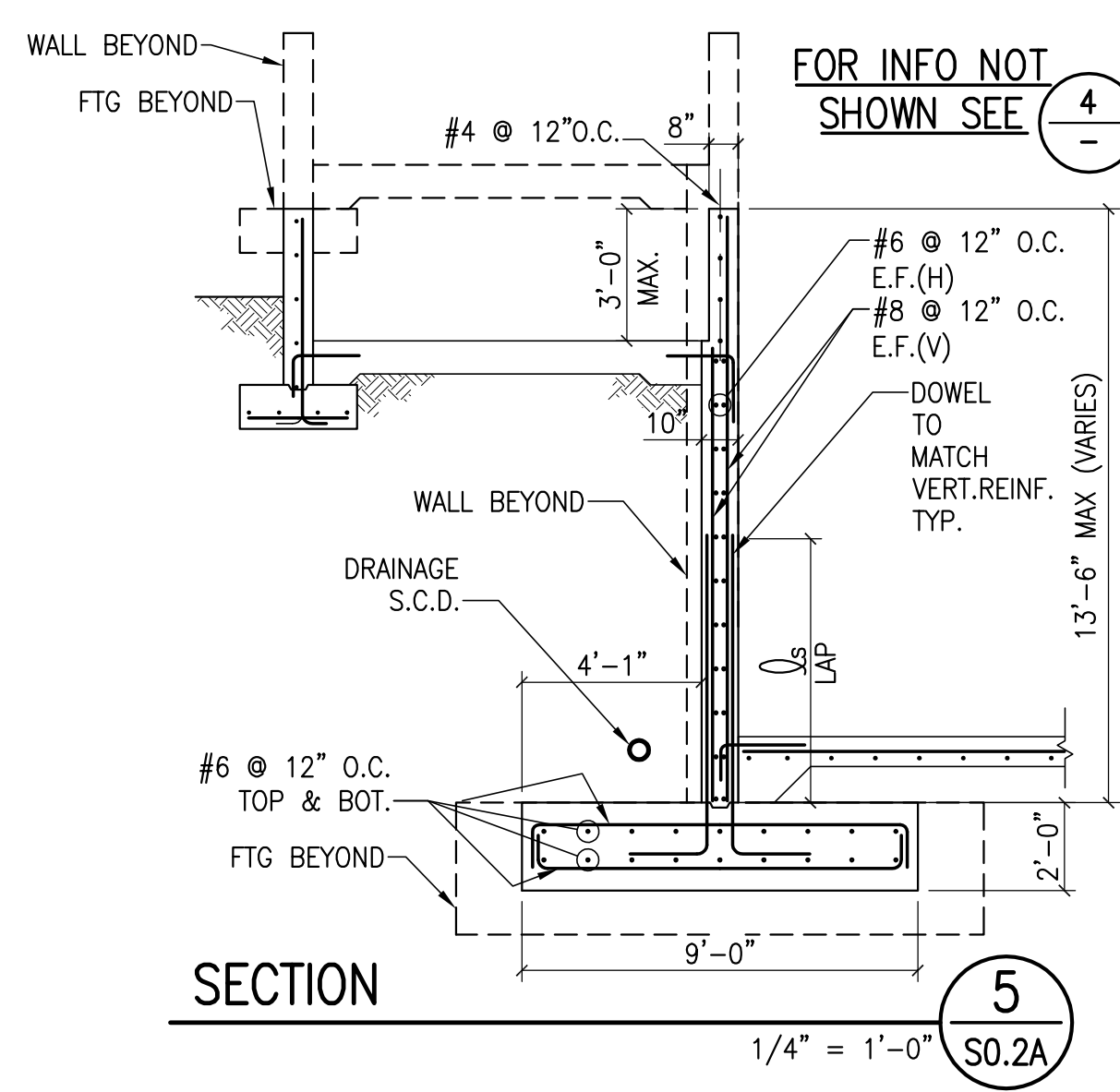
10N STAIRCASE - SOUTHWEST ELEVATION  
3/16" = 1'-0"  
S0.2A



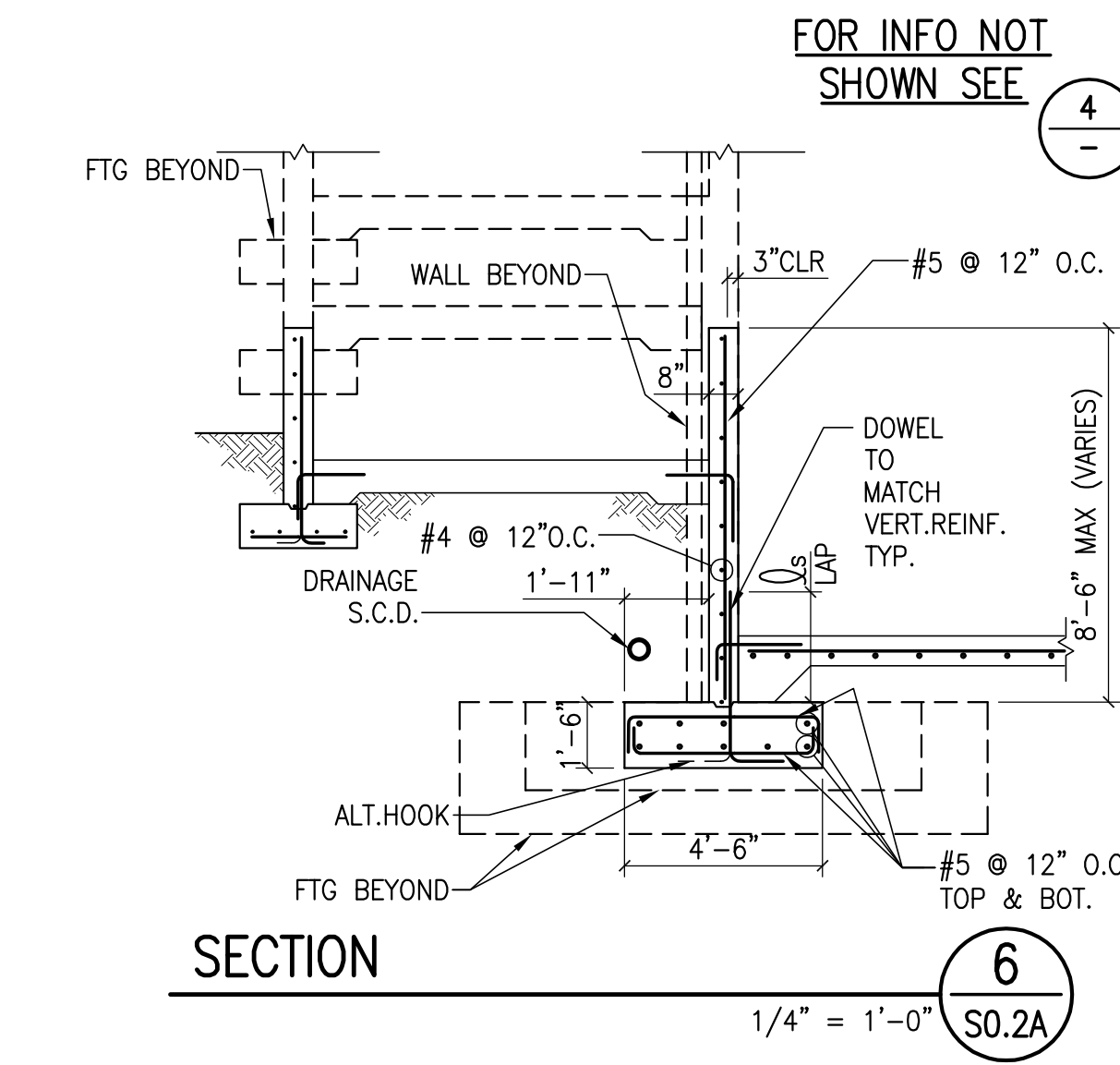
TYPICAL FENCE POST DETAIL  
3"-1'-0"  
S0.2A



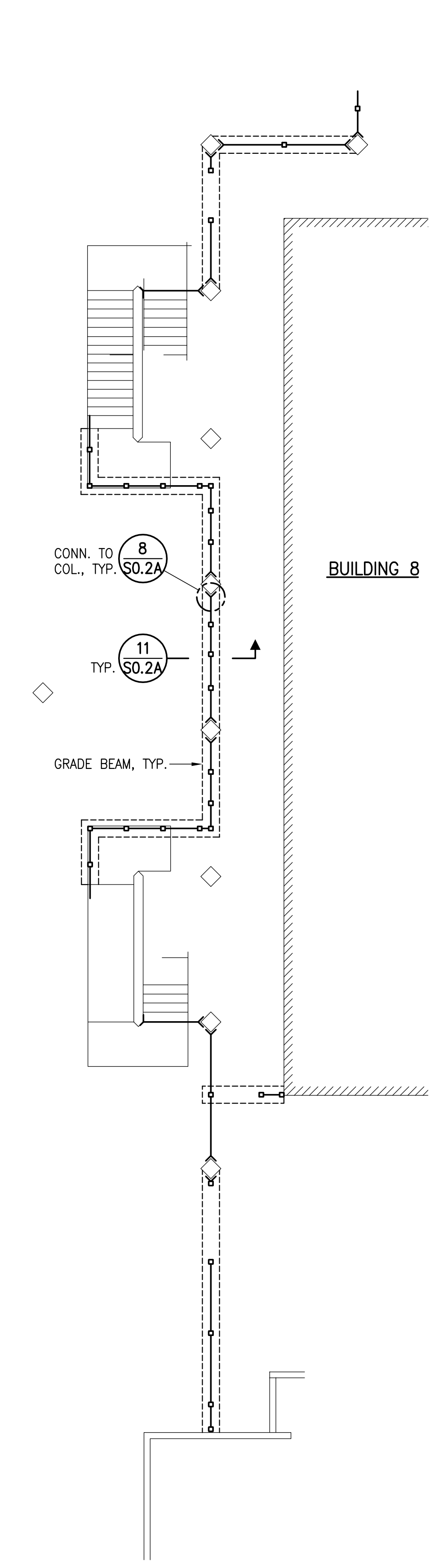
SECTION  
1/4" = 1'-0"  
S0.2A



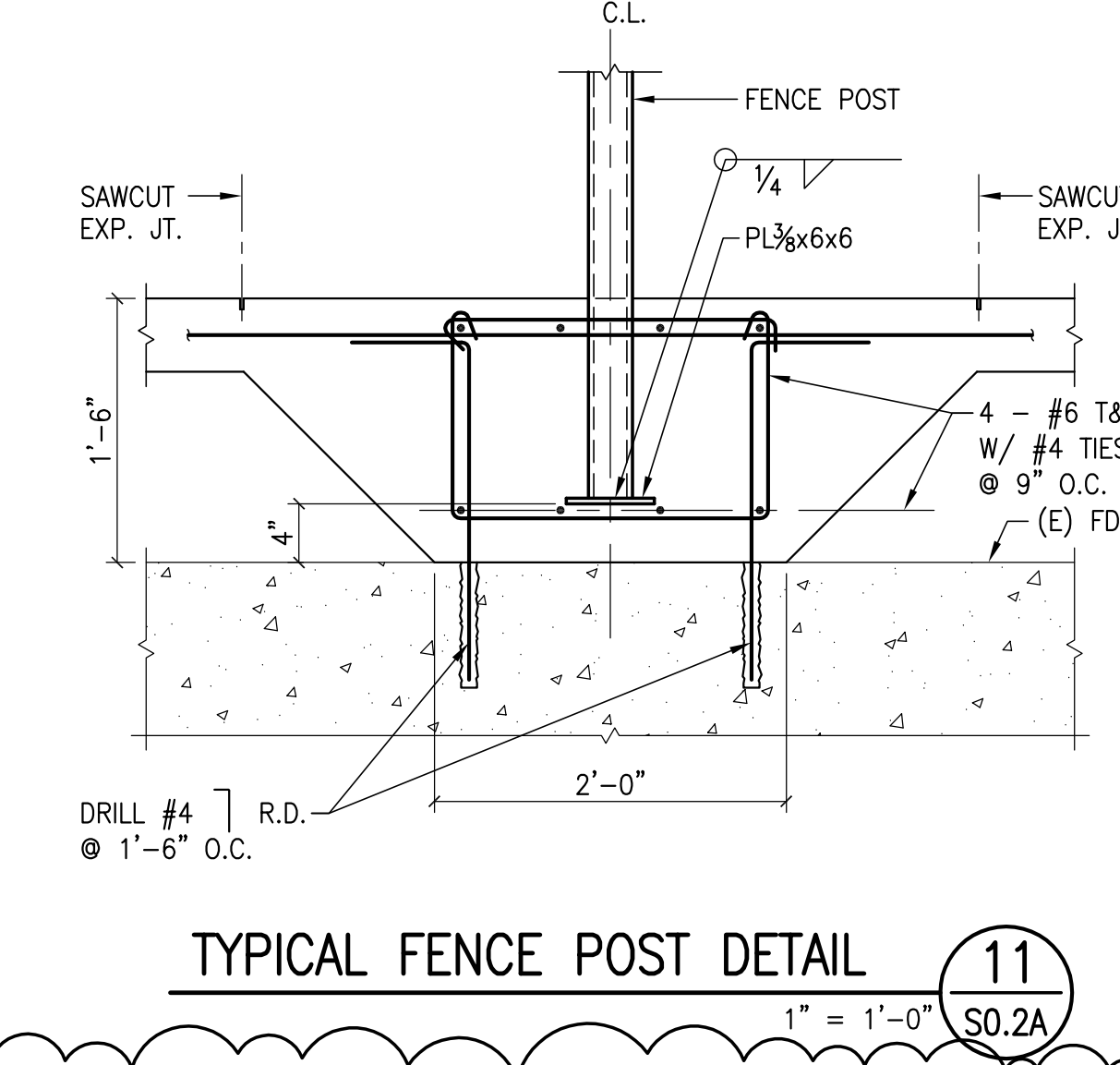
SECTION  
1/4" = 1'-0"  
S0.2A



SECTION  
1/4" = 1'-0"  
S0.2A



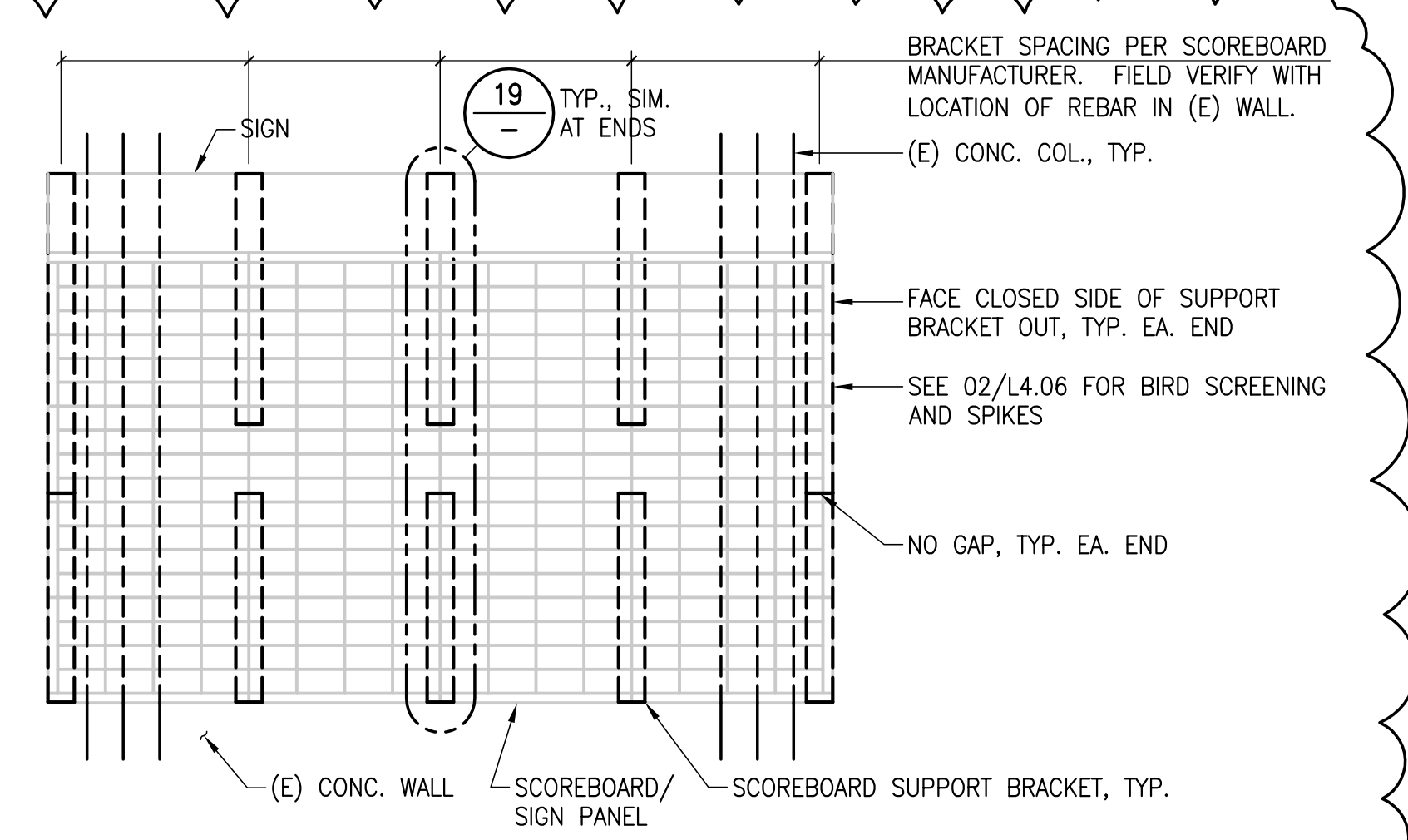
PLAN  
1" = 10'  
S0.2A



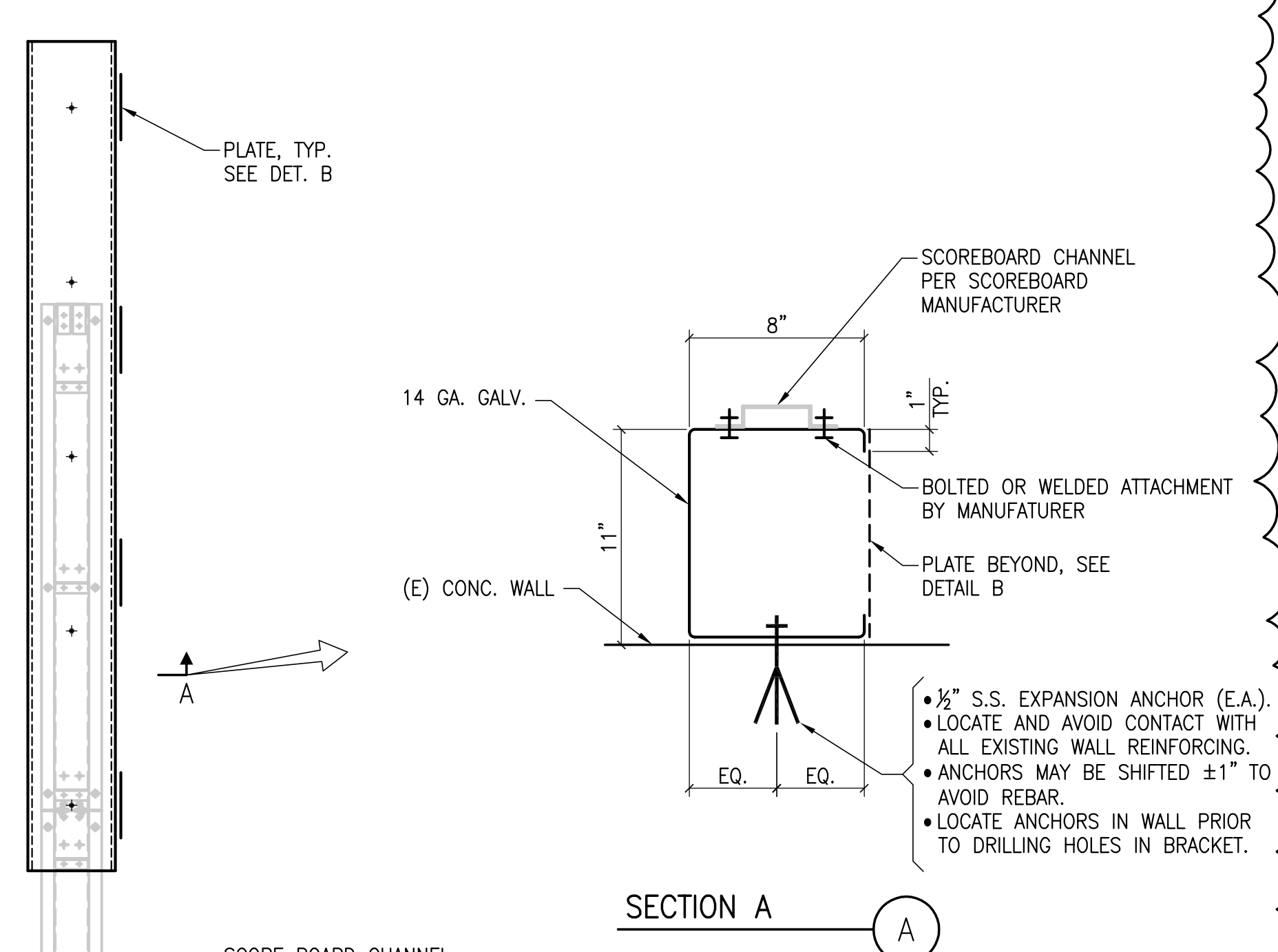
TYPICAL FENCE POST DETAIL  
1" = 1'-0"  
S0.2A

Table with 4 columns: Anchor Diameter, Helix Design Depth, Tension Test Load (Pounds), and Torque Test (ft-lb). Includes data for Normal Weight Concrete (Hilti Kwik Bolt TZ) and Normal Weight Concrete (Simpson Strong-Bolt).

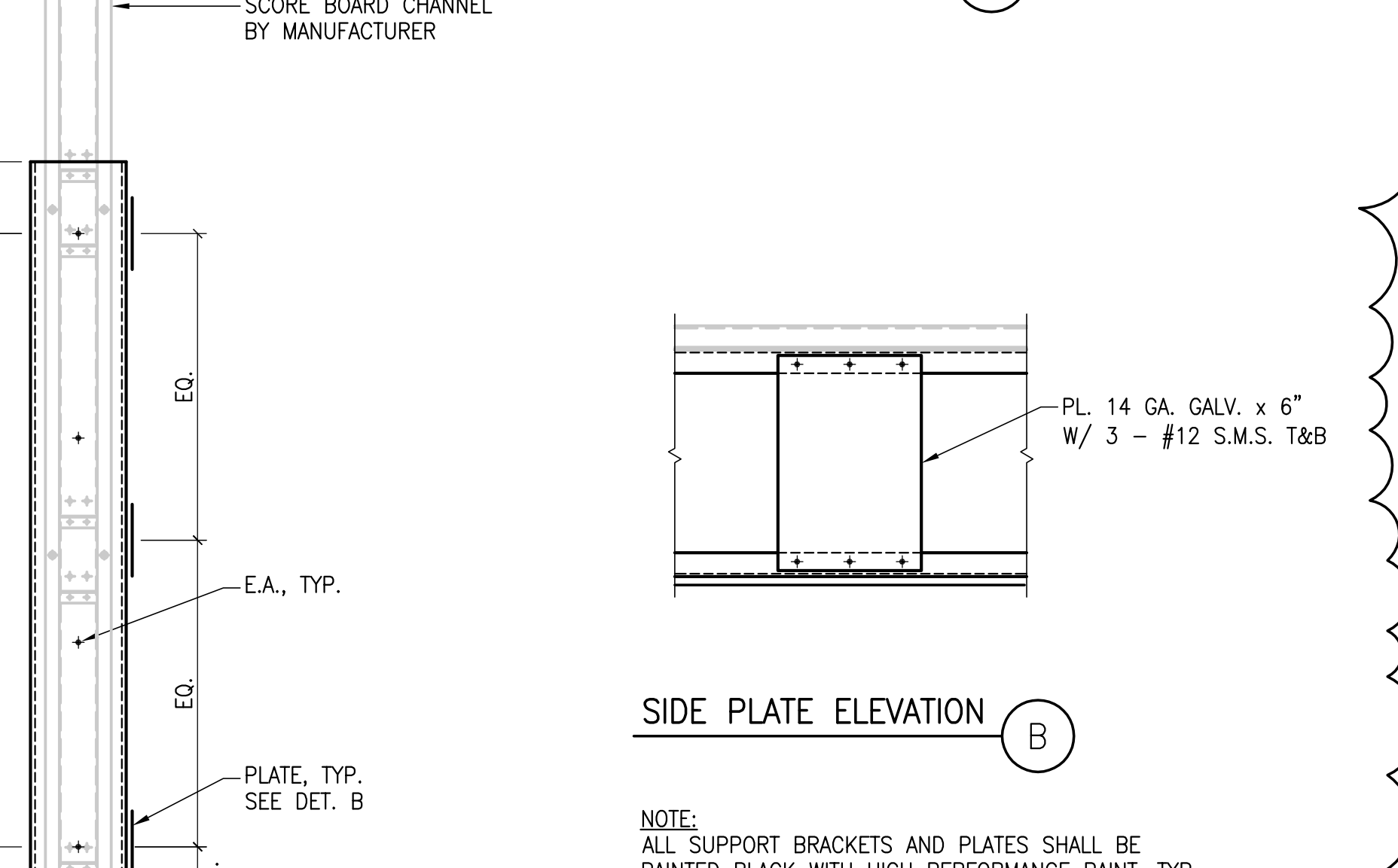
12  
S0.2A



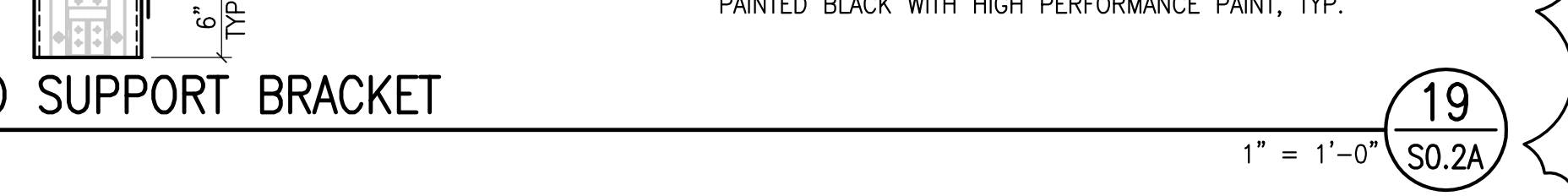
SCORE BOARD ELEVATION  
1/4" = 1'-0"  
S0.2A



SECTION A



SIDE PLATE ELEVATION B



SCORE BOARD SUPPORT BRACKET  
1" = 1'-0"  
S0.2A

- DRILLED HOLES FOR ANCHORS AND DOWELS IN CONCRETE
- EXPANSION ANCHORS IN CONCRETE
- EXPANSION ANCHOR NOTES