

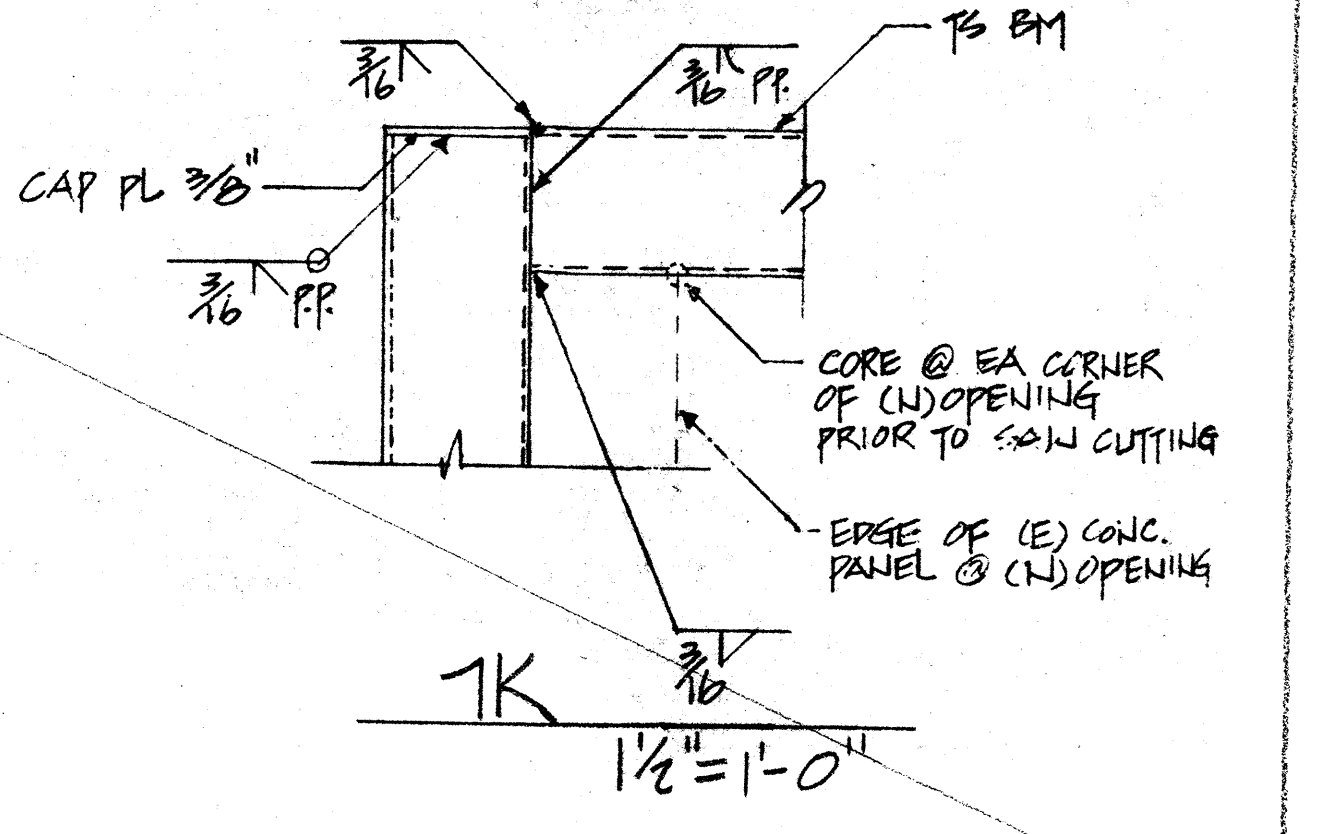
NOTE:
SEE DETAIL 1B/2L WHERE FTG STEPS OCCUR

7F TYP. RETAINING WALL DETAIL
AT SERVICE YARD 3/4"=1'-0"

7G PARTIAL ELEVATION AT
(N) OPENING OF (E) AUTO SHOP 1/4"=1'-0"

7H PLAN 1/2"=1'-0"

SEE ARCH. A-19. REINFORCEMENT
OF OPENING



OSA - STRUCTURAL SAFETY
SFM - STATE FIRE MARSHALL
OSA - ACCESS COMPLIANCE

DATE: 5/21/97
PROJECT: 111500

RINNE & PETERSON
STRUCTURAL ENGINEERS
4280 EL CAMINO REAL
PALO ALTO
CALIFORNIA 94306
(415) 857-1400

KELLER AND DASEKING ARCHITECTS
WALTER L. KELLER A.I.A.
WILLIAM H. DASEKING A.I.A.
825 OAK GROVE AVENUE
MENLO PARK, CA 94025 415/322-5366

AUTOMOTIVE LAB BUILDING
TOILET ROOMS at EXISTING AUTOSHOP
SKYLINE COLLEGE
SAN MATEO COUNTY COMMUNITY COLLEGE DISTRICT

8906
8 22 90
S-7
30 of 41