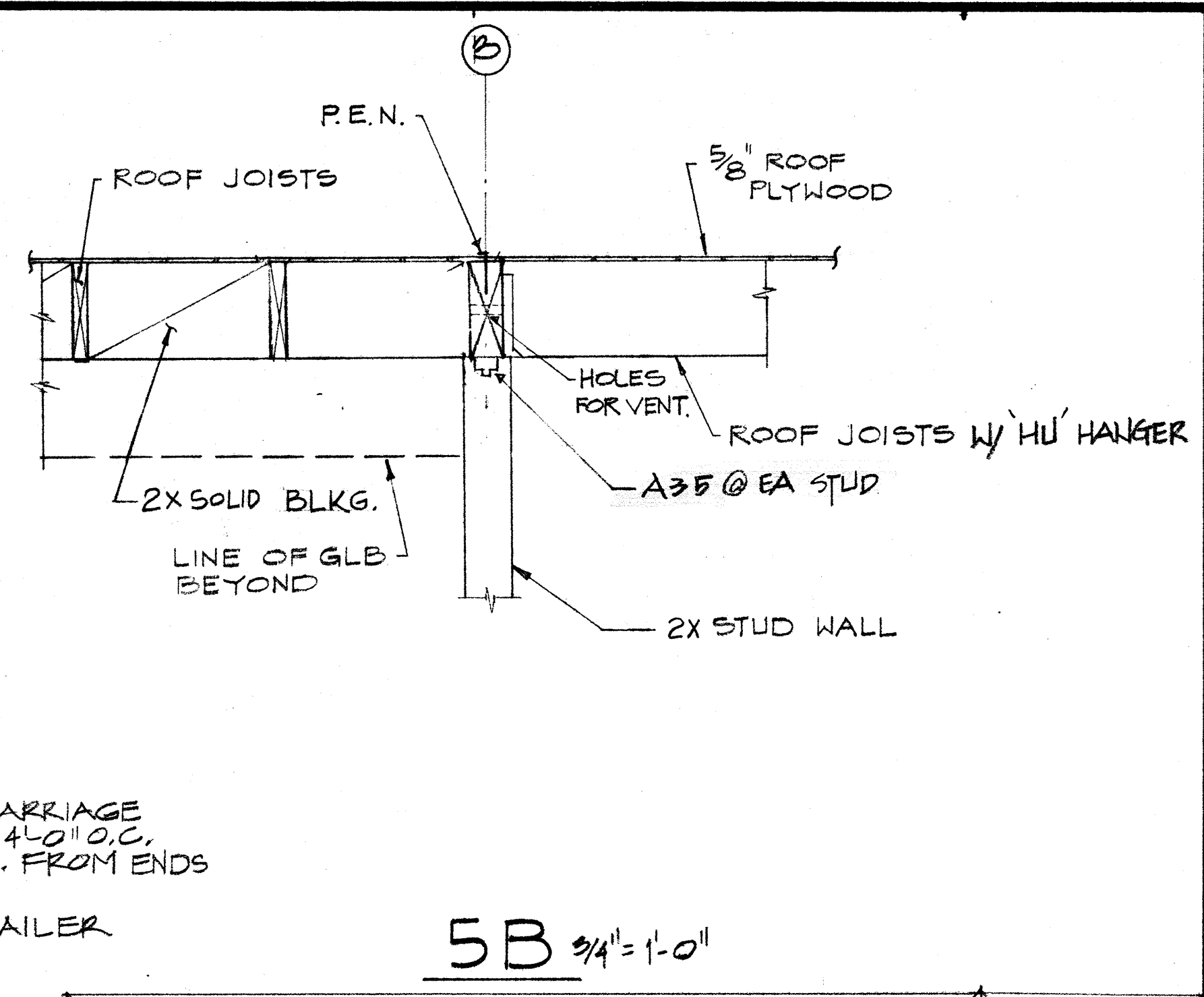
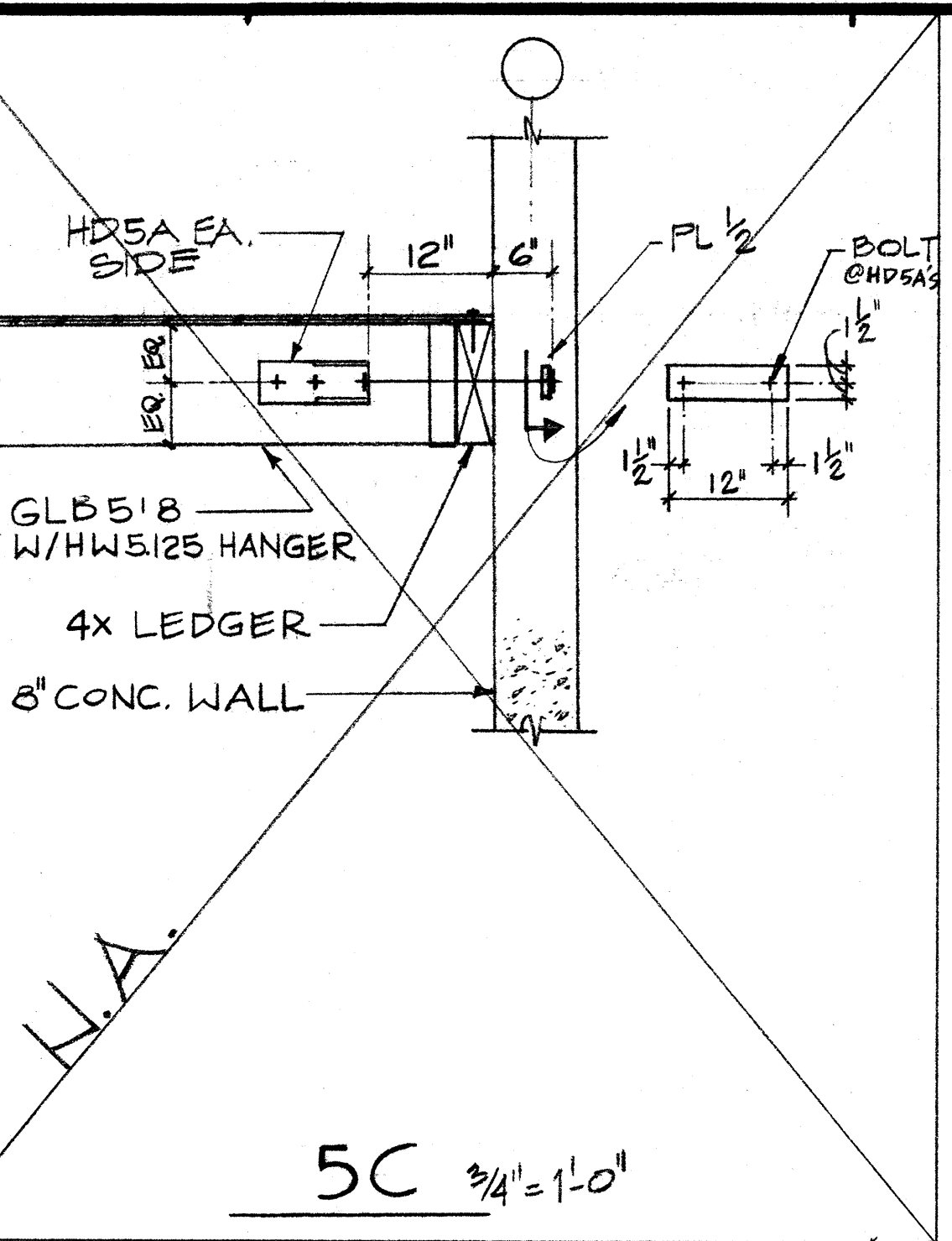


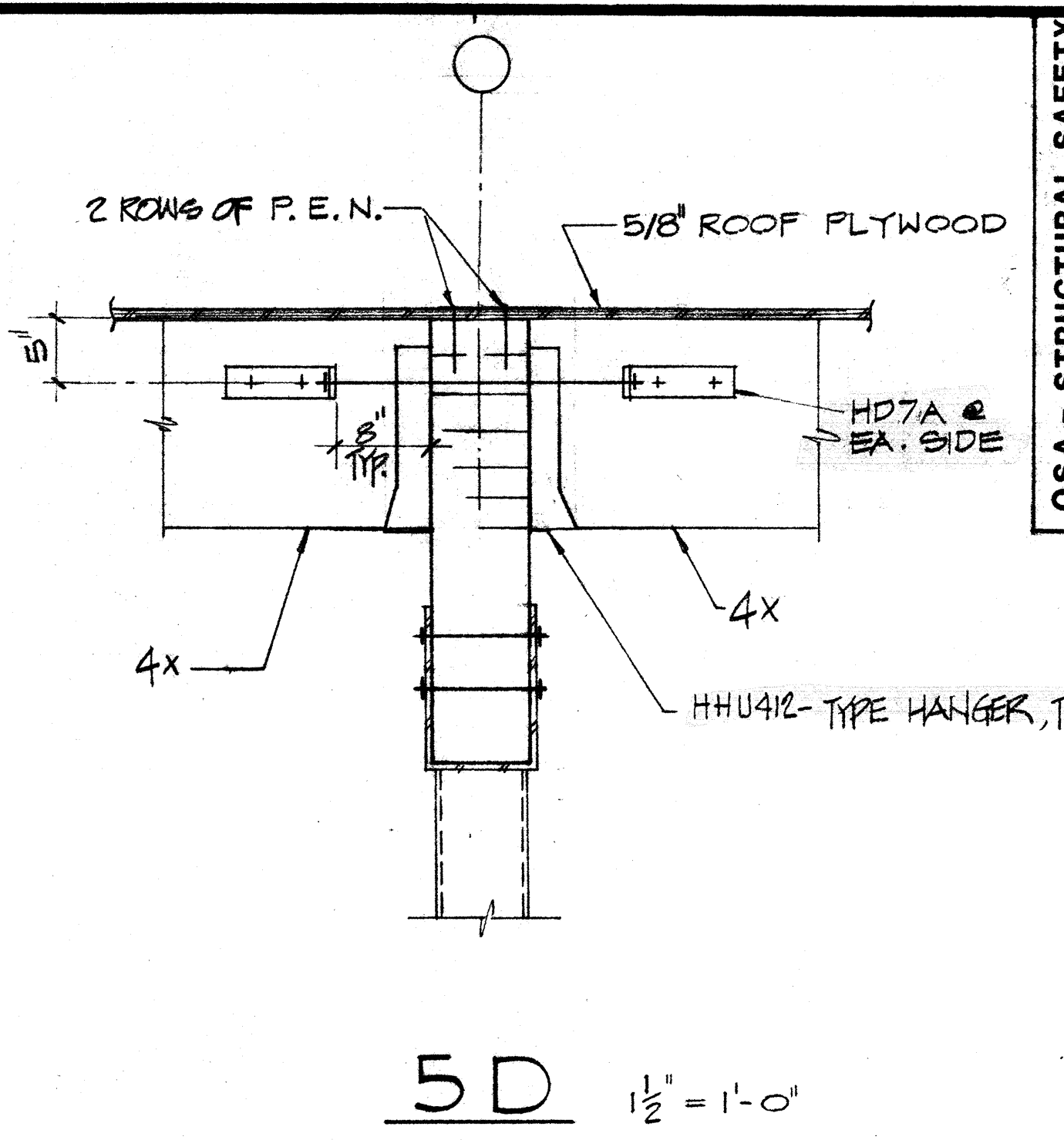
5A 1" = 1'-0"



5B 3/4" = 1'-0"



5C 3/4" = 1'-0"



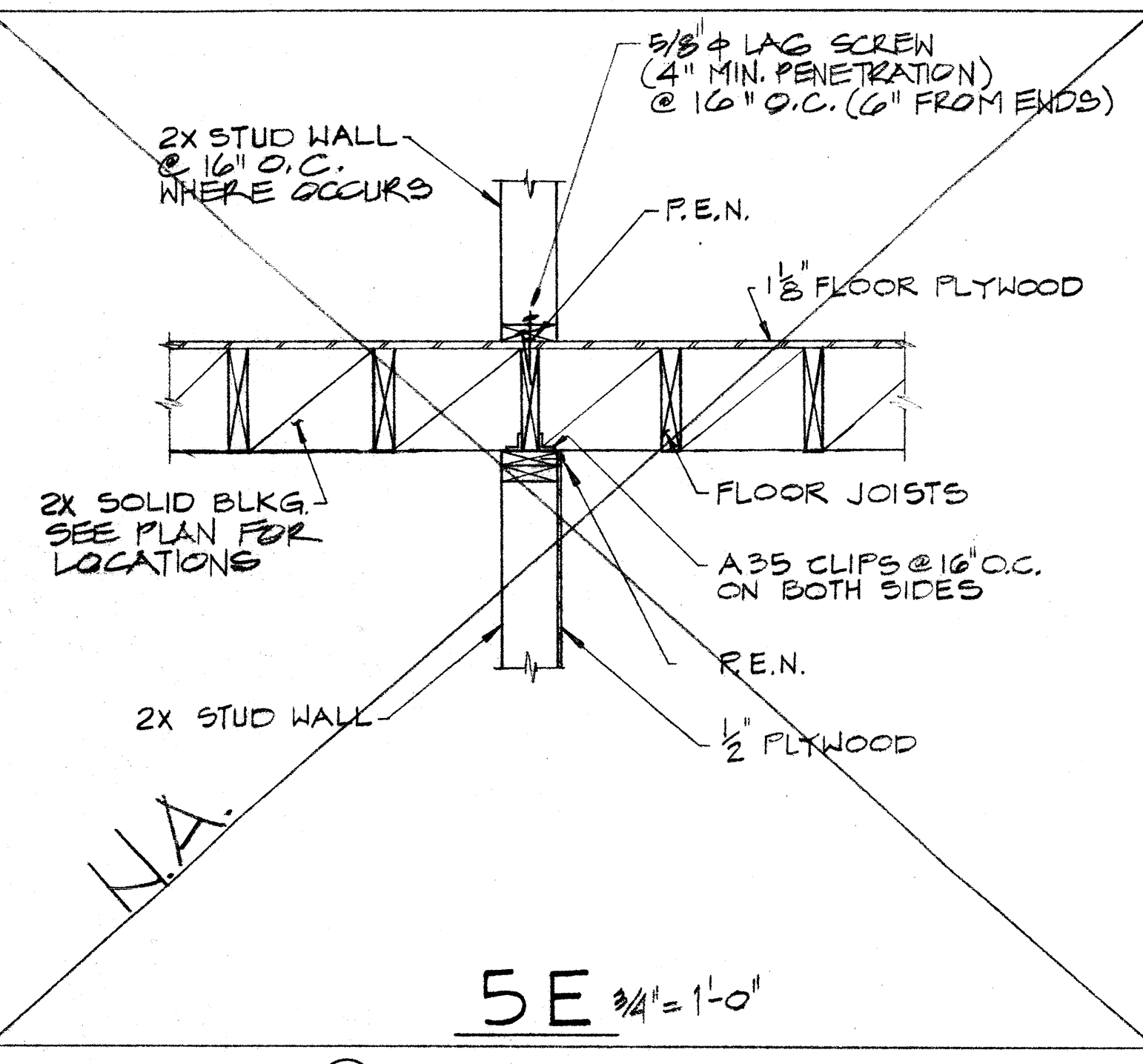
5D 1/2" = 1'-0"

OSA - STRUCTURAL SAFETY

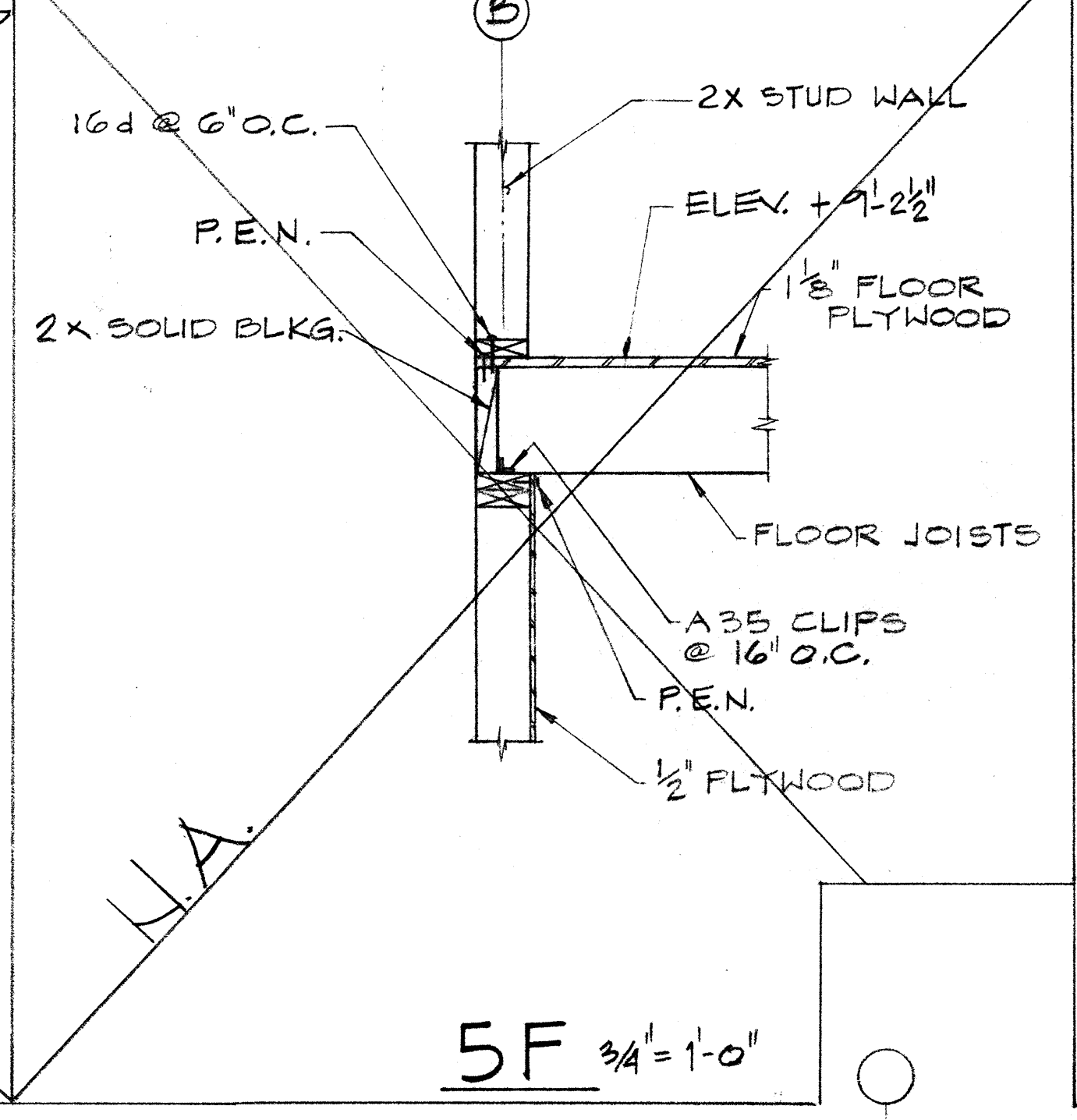
OSA - ACCESS COMPLIANCE

SFM-STATE FIRE MARSHALL

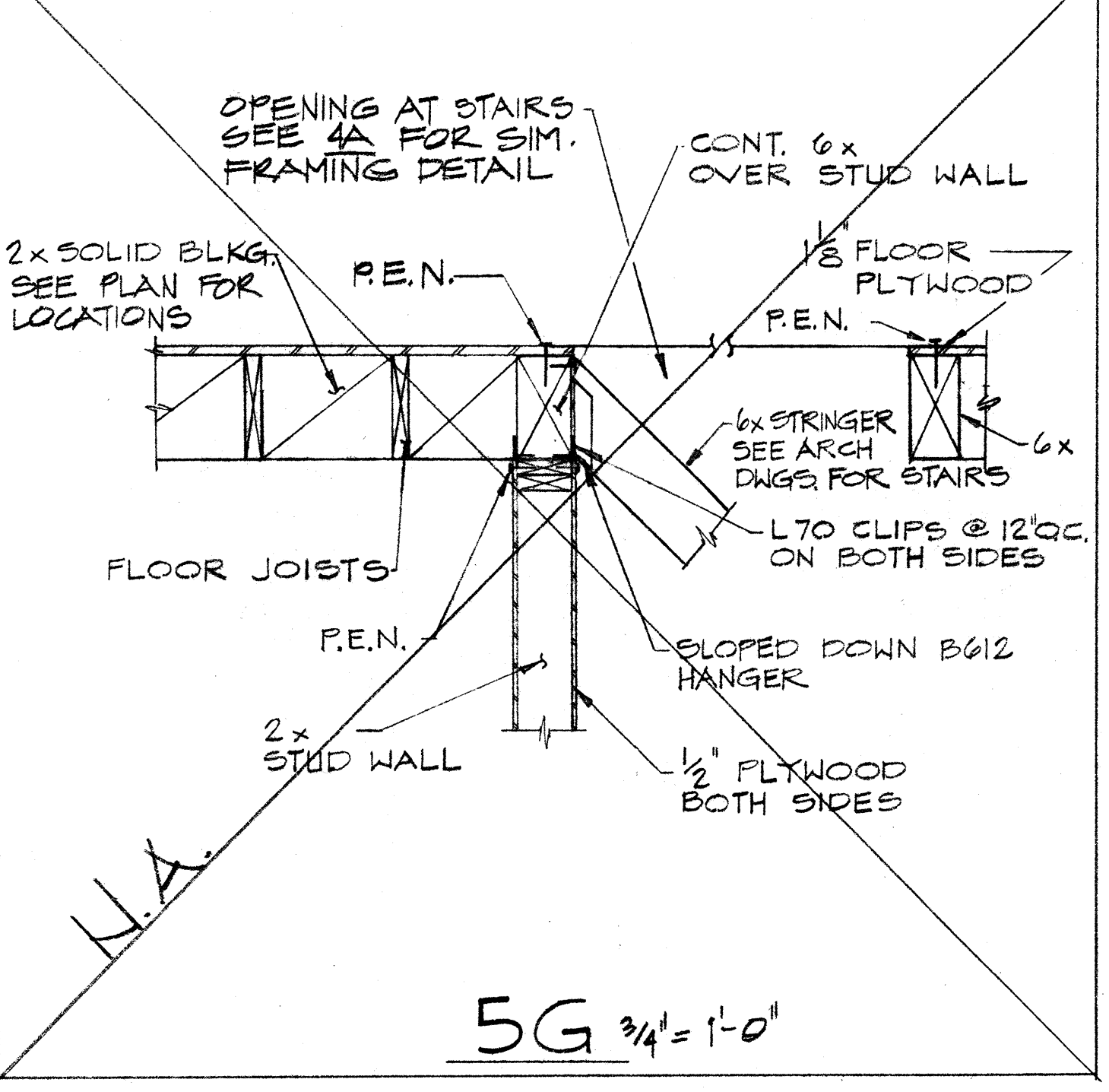
53721 JES/EF



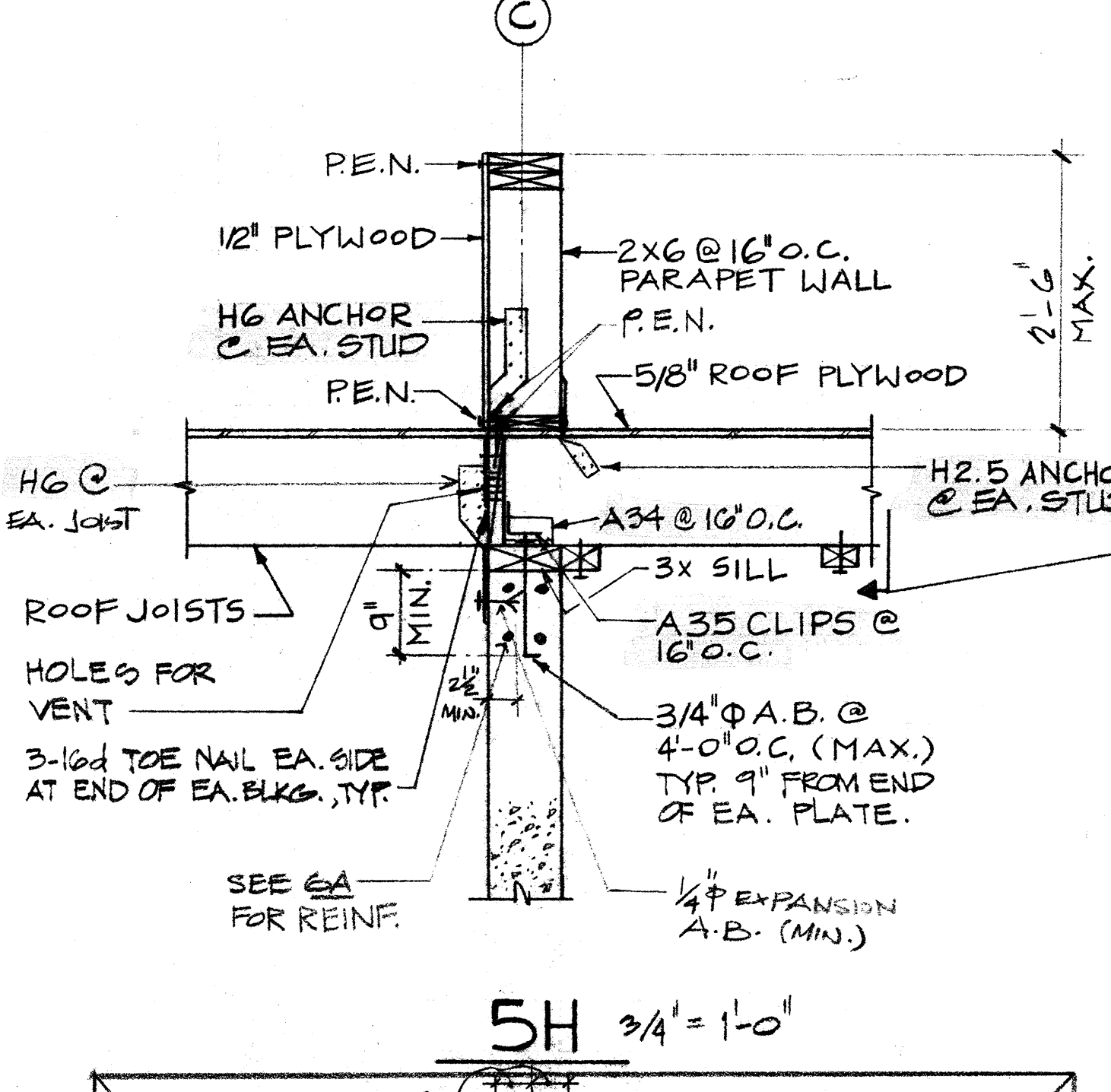
5E 3/4" = 1'-0"



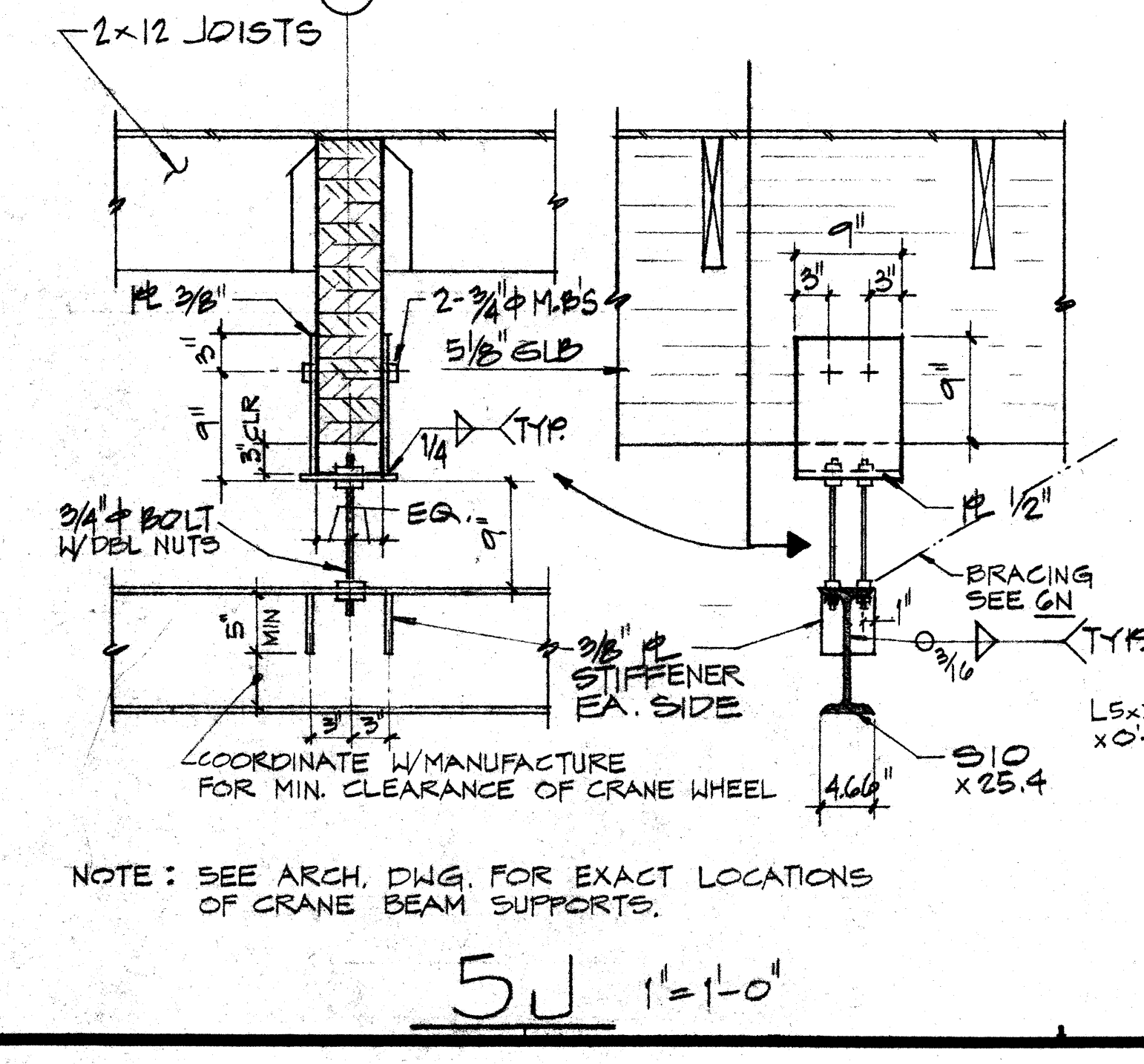
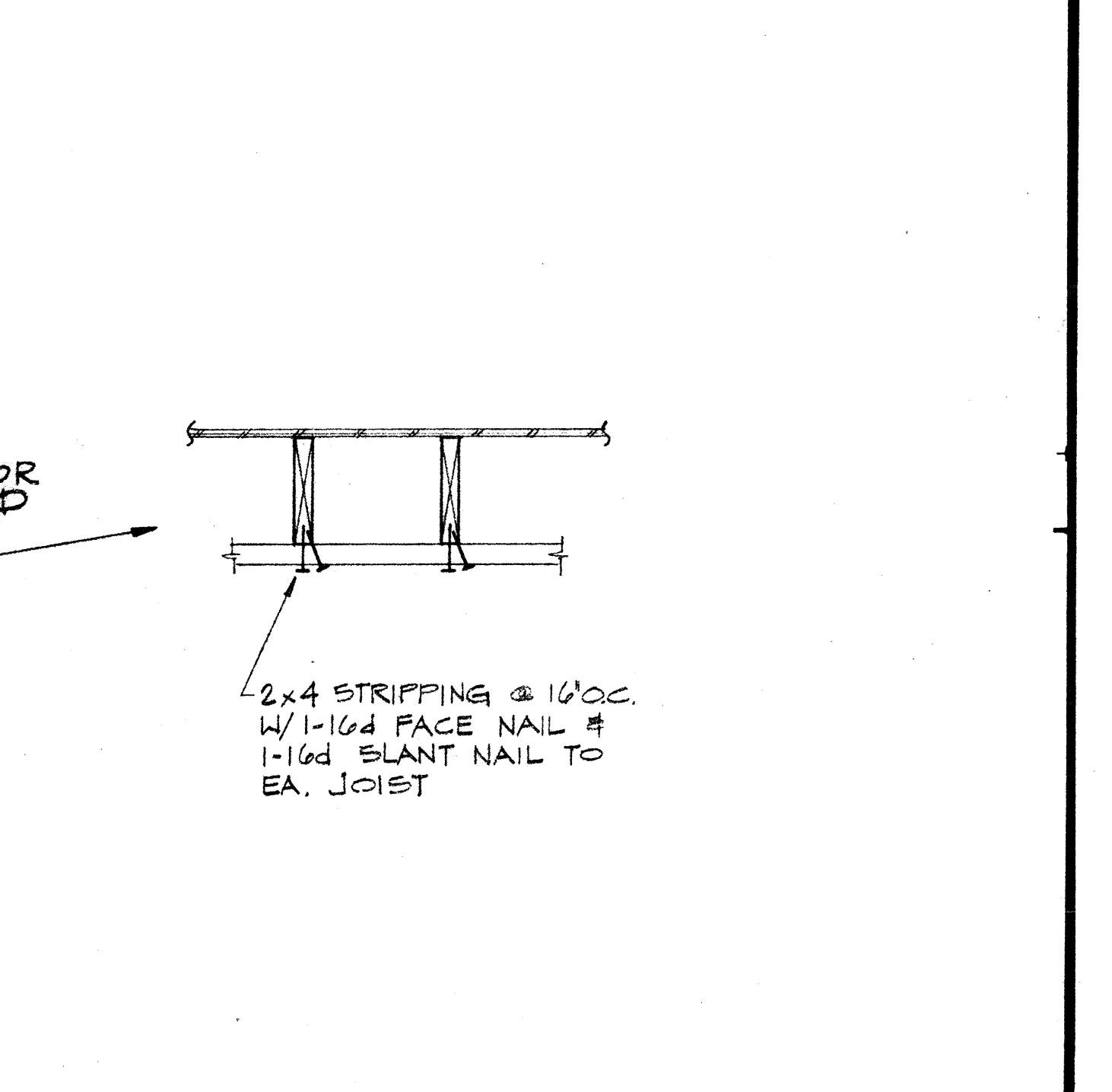
5F 3/4" = 1'-0"



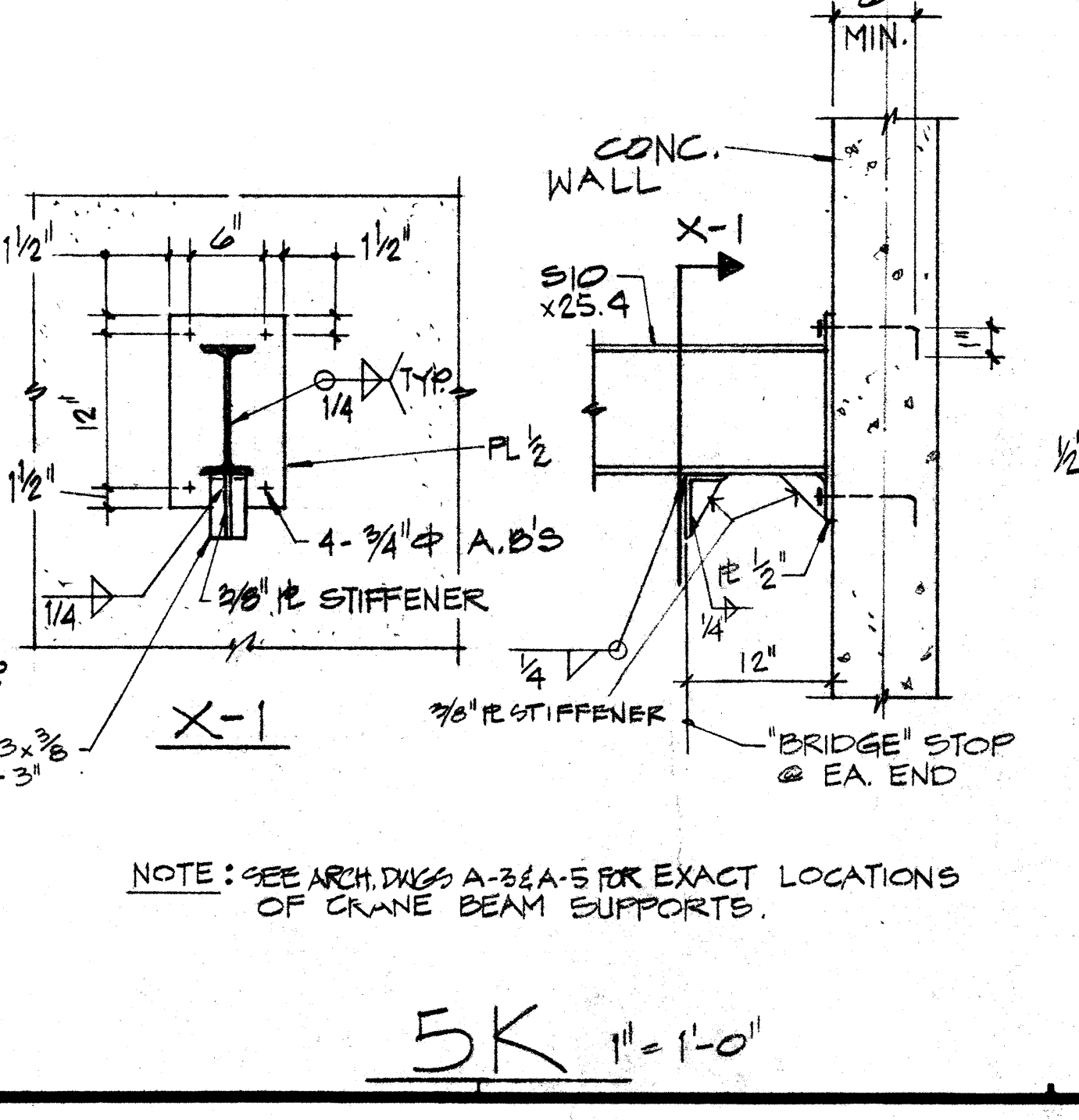
5G 3/4" = 1'-0"



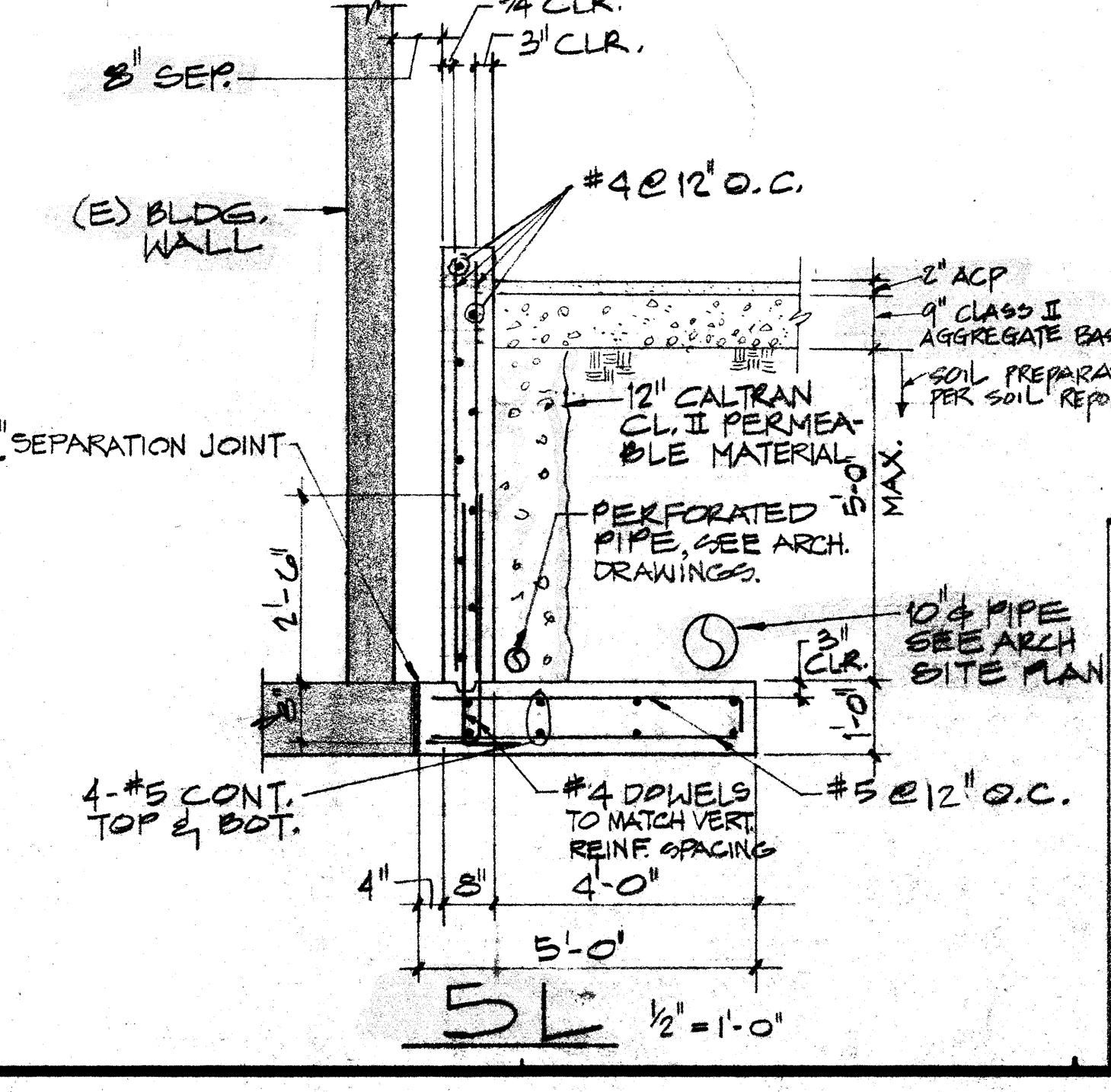
5H 3/4" = 1'-0"



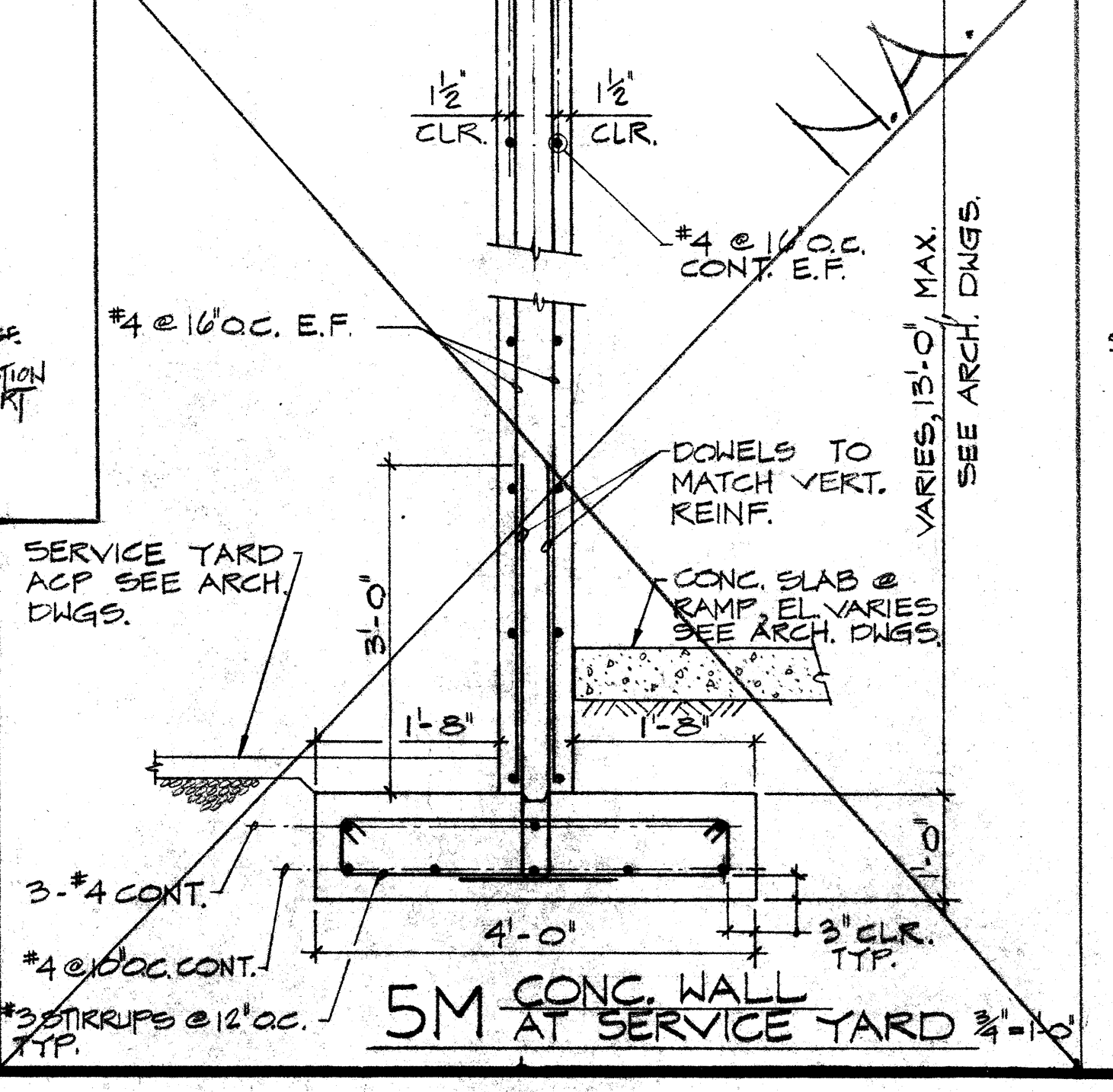
5J 1" = 1'-0"



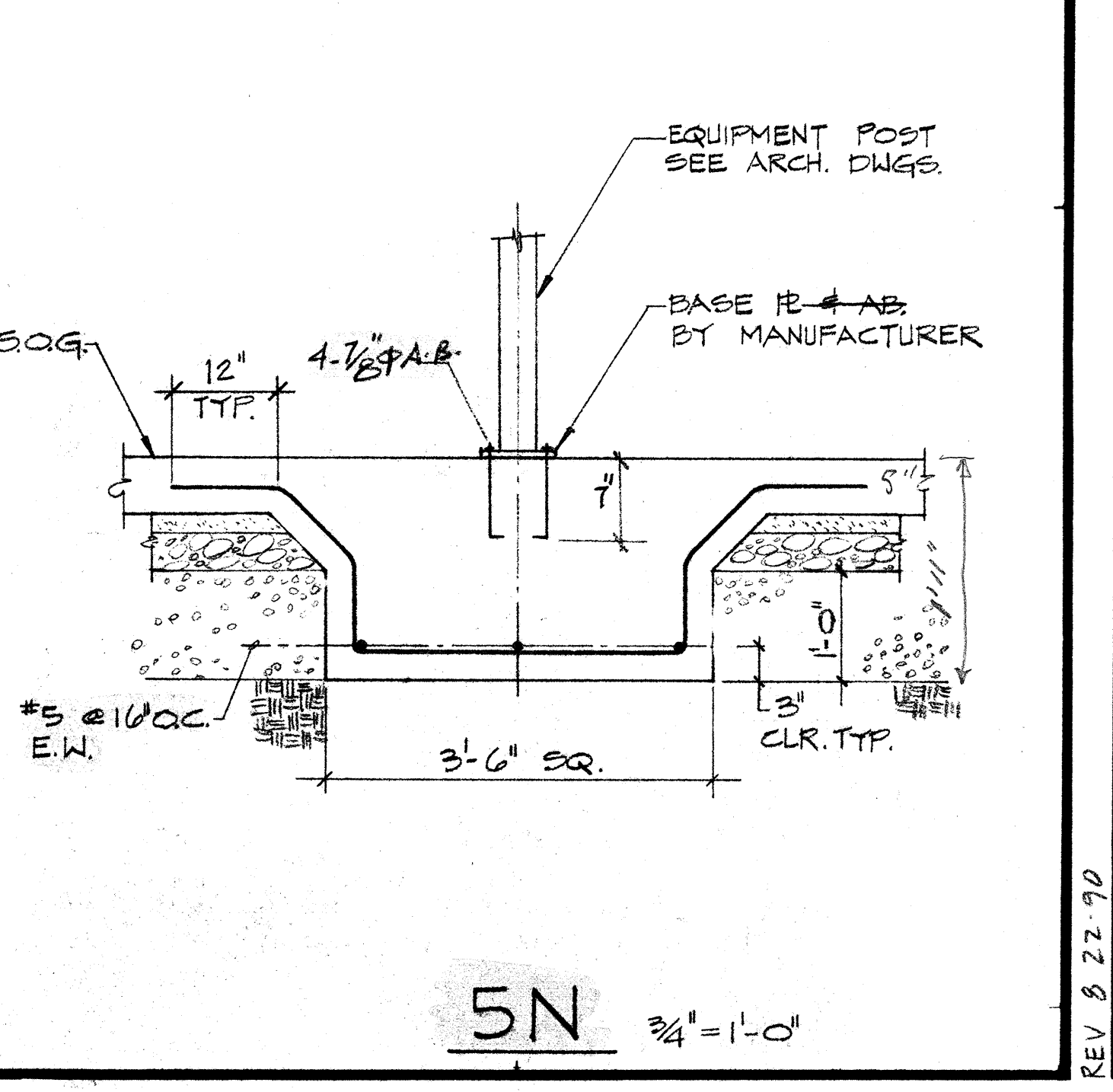
5K 1" = 1'-0"



5L 1/2" = 1'-0"



5M CONG. WALL AT SERVICE YARD 3/4" = 1'-0"



5N 3/4" = 1'-0"

NOTE: SEE ARCH. DWG. FOR EXACT LOCATIONS OF CRANE BEAM SUPPORTS.

NOTE: SEE ARCH. DWGS A-36A-5 FOR EXACT LOCATIONS OF CRANE BEAM SUPPORTS.

REV. 8 22 90

8906

7-12-90

S-5

28 of 41

KELLER AND DASEKING ARCHITECTS
WALTER L. KELLER AIA
WILLIAM H. DASEKING AIA
825 OAK GROVE AVENUE
MENLO PARK, CA 94025 415/322-5566
C. 1534

Walter L. Keller
K D

OSA - STRUCTURAL SAFETY
OSA - ACCESS COMPLIANCE
SFM-STATE FIRE MARSHALL

AUTOMOTIVE CLASSROOM BUILDING
TOILET ROOM RENOVATIONS
SKYLINE COLLEGE
SAN MATEO COUNTY COMMUNITY COLLEGE DISTRICT