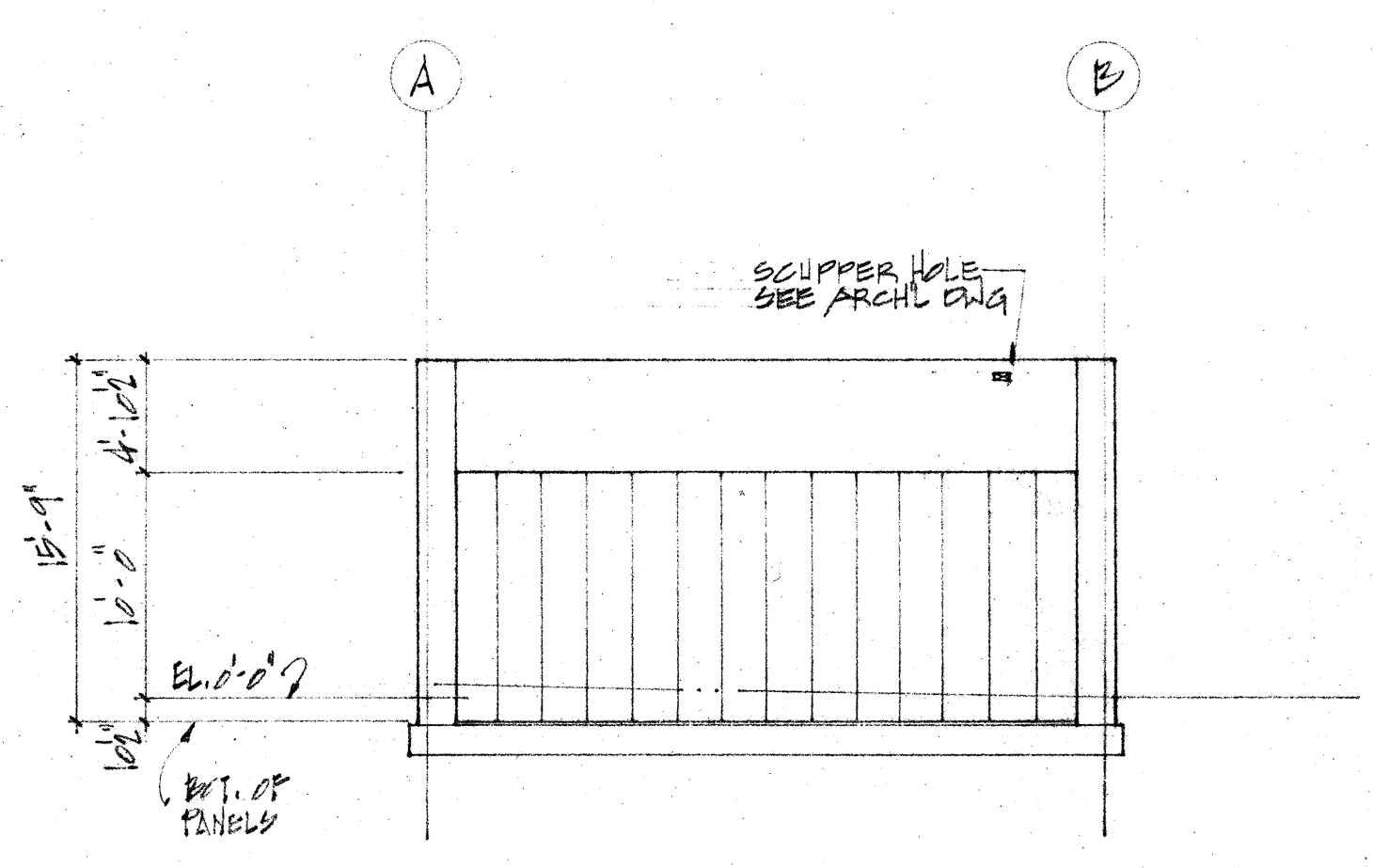
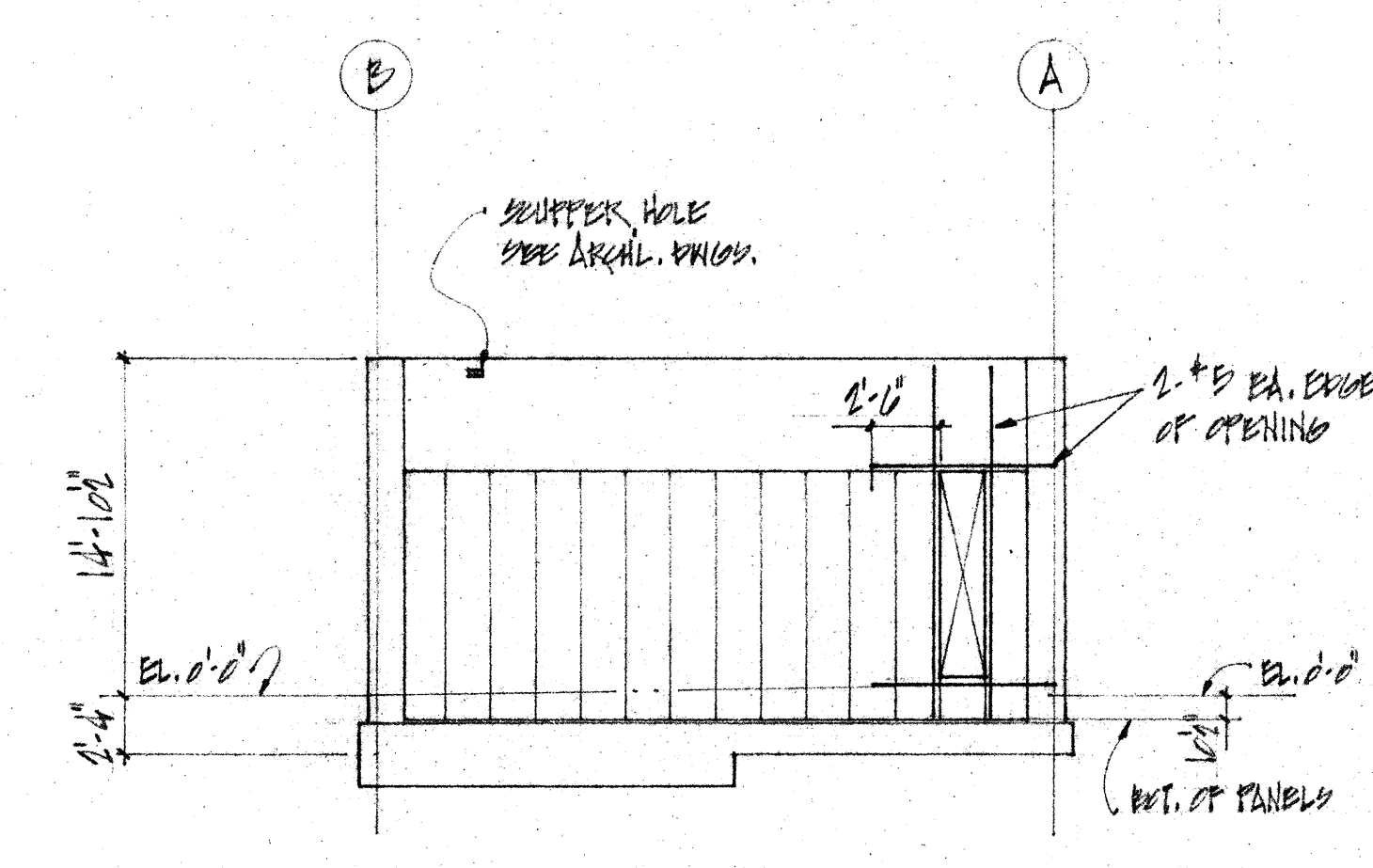


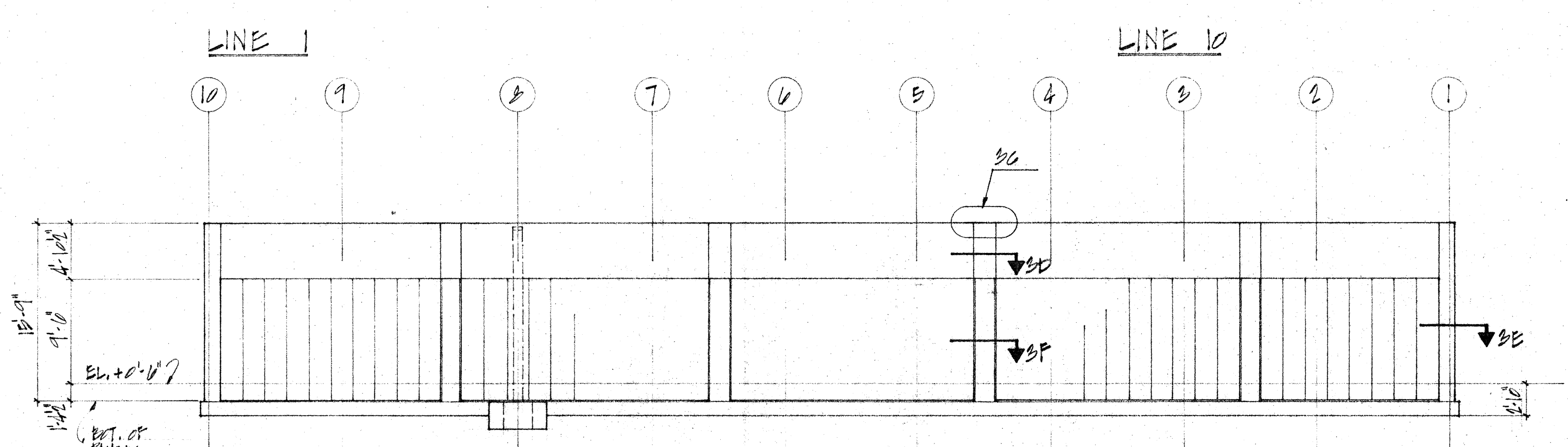
PANEL ELEV. LINE B 3/4" = 1'-0"



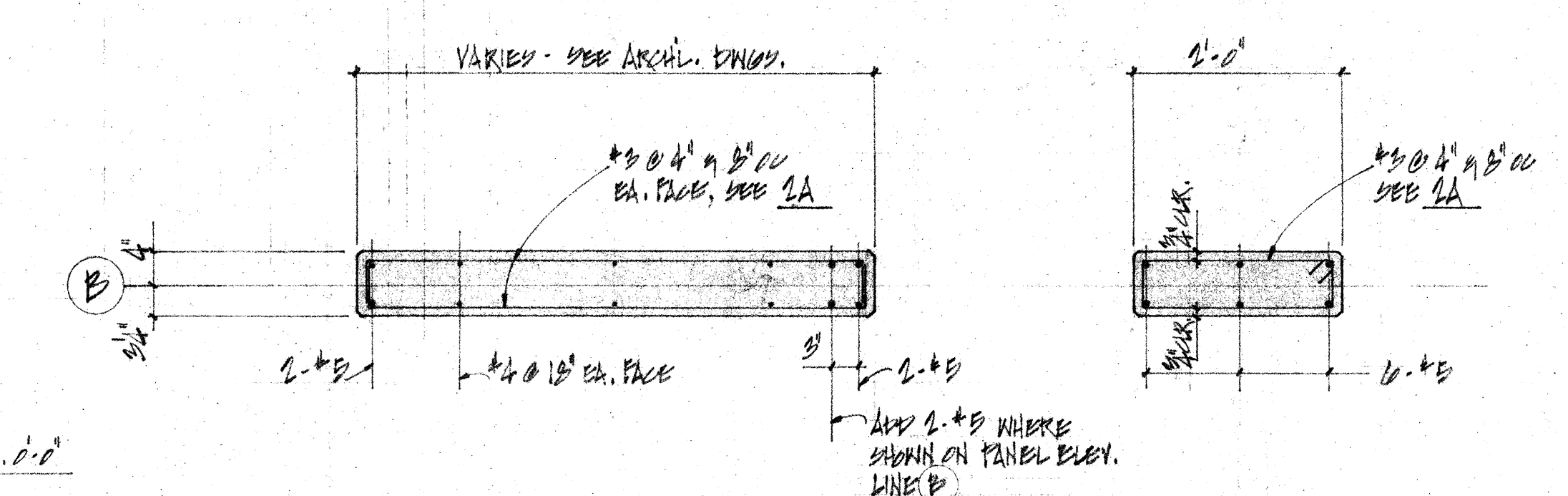
LINE A



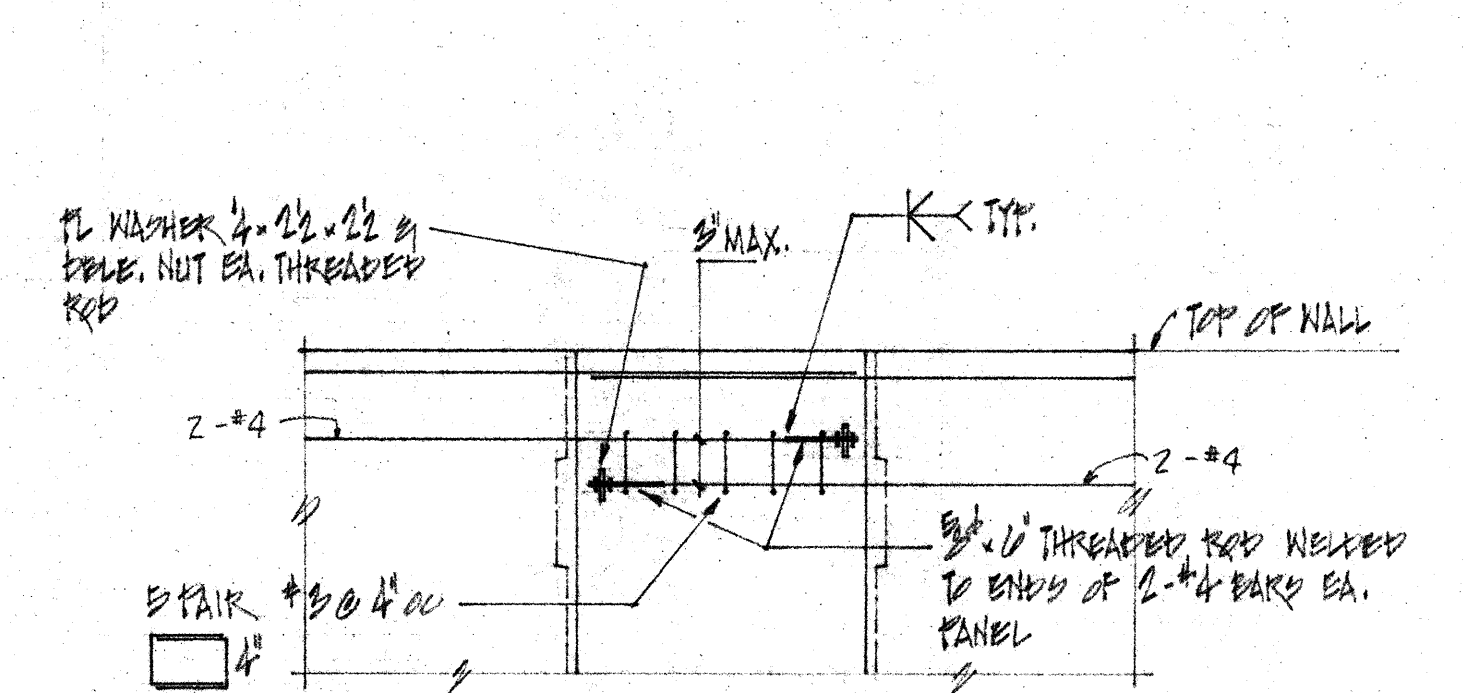
LINE 10



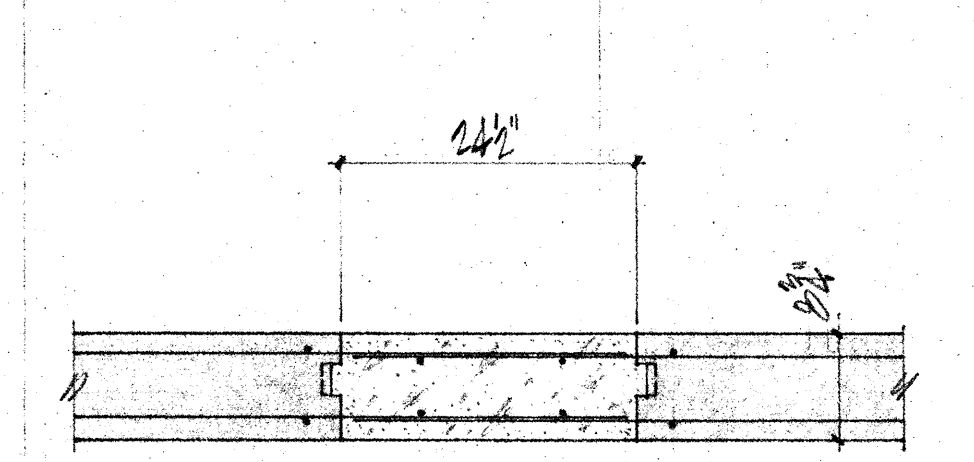
LINE A



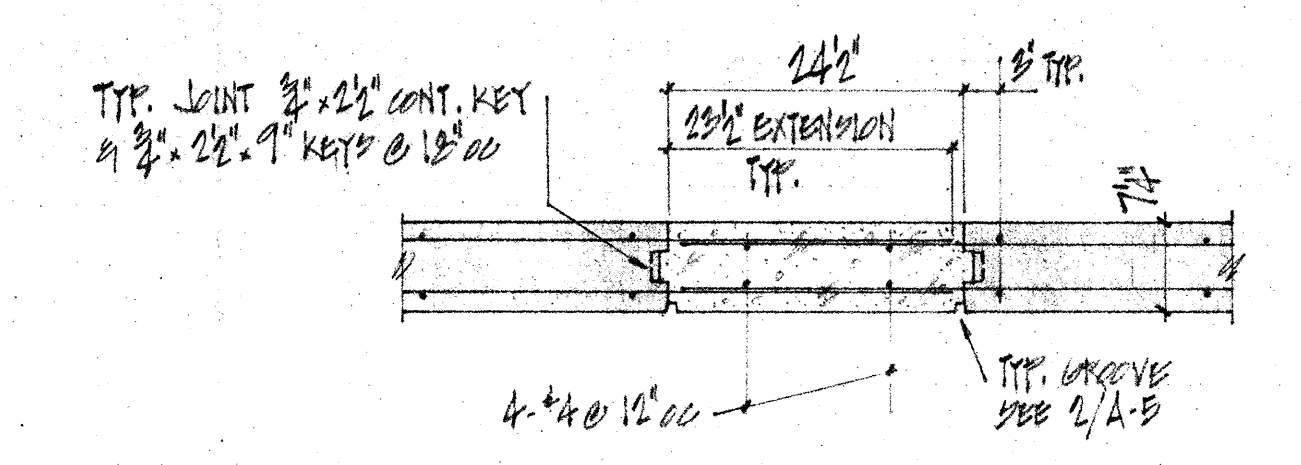
3A PLAN - PIERS LINE B 3/4" = 1'-0"



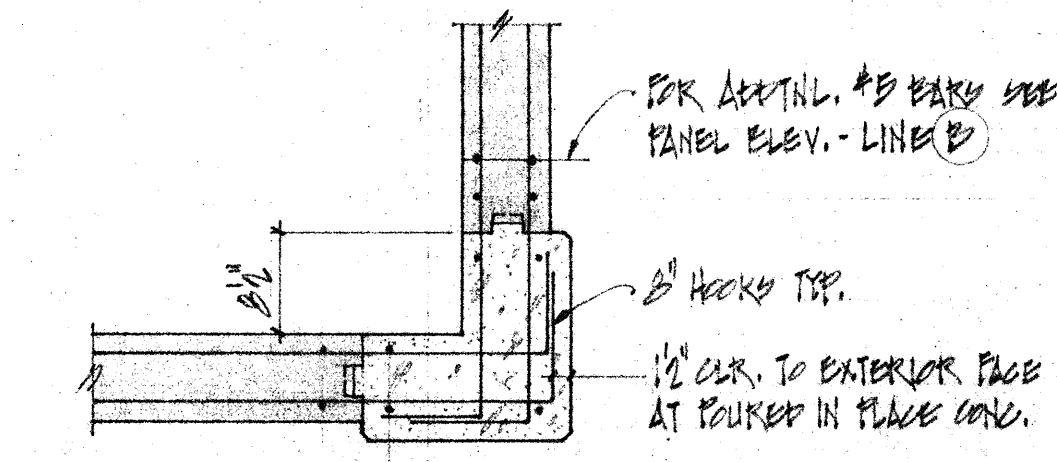
ELEV. - TOP OF WALL JOINT 3C



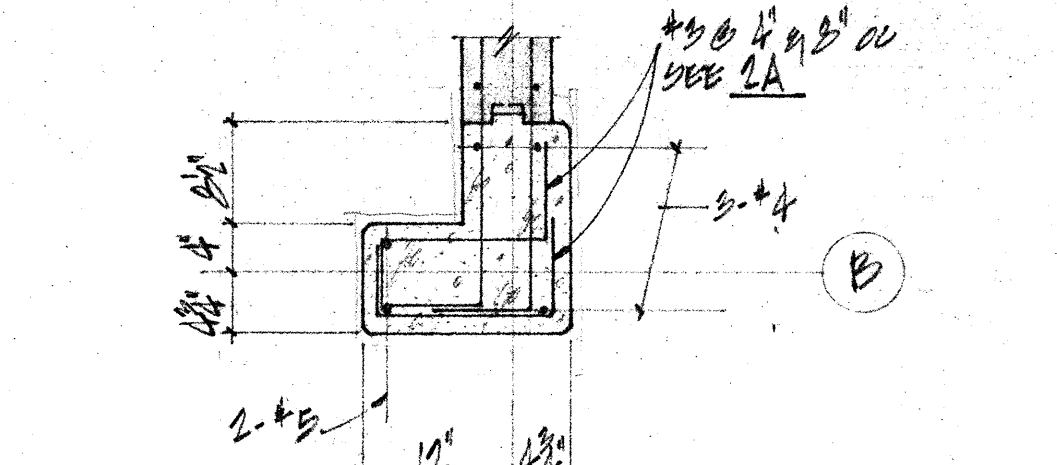
3D



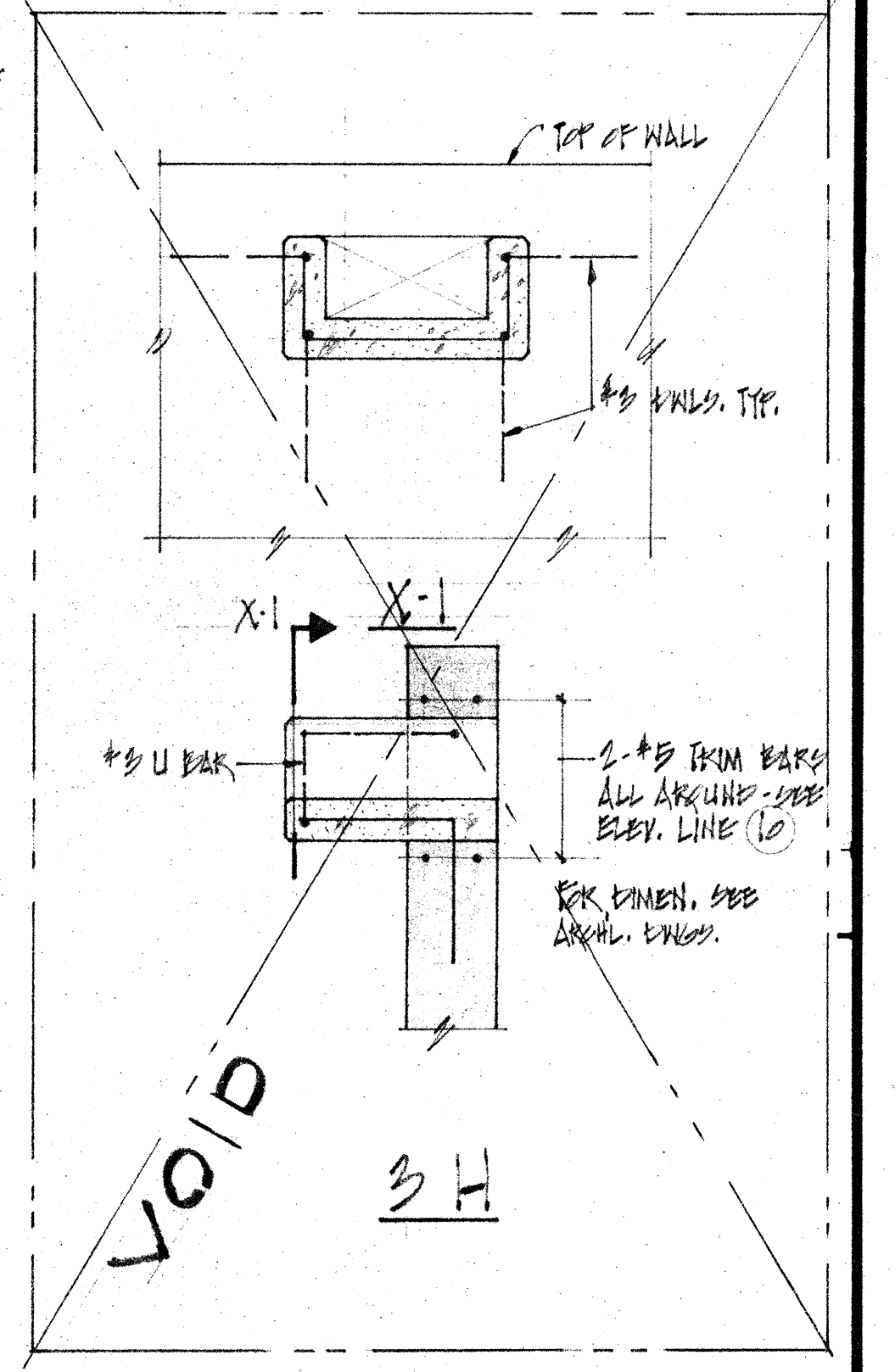
3E



3F



3G



3H

RINNE & PETERSON
STRUCTURAL ENGINEERS
2450 EL CAMINO REAL PALO ALTO
CALIFORNIA 94306 (415) 326-3473
Donald E. Peterson 5/09

KELLER AND DASEKING ARCHITECTS
WALTER L. KELLER A.I.A.
WILLIAM H. DASEKING A.I.A.
825 OAK GROVE AVENUE
MENLO PARK, CALIFORNIA
Walter L. Keller
K D

40530
APPROVED
JUL 7 1977
STATE OF CALIFORNIA
COUNTY OF SAN MATEO
REGISTERED PROFESSIONAL ARCHITECT

AUTOMOTIVE SHOP
SKYLINE COLLEGE

7705
4/6/77
S-3
BOP/2