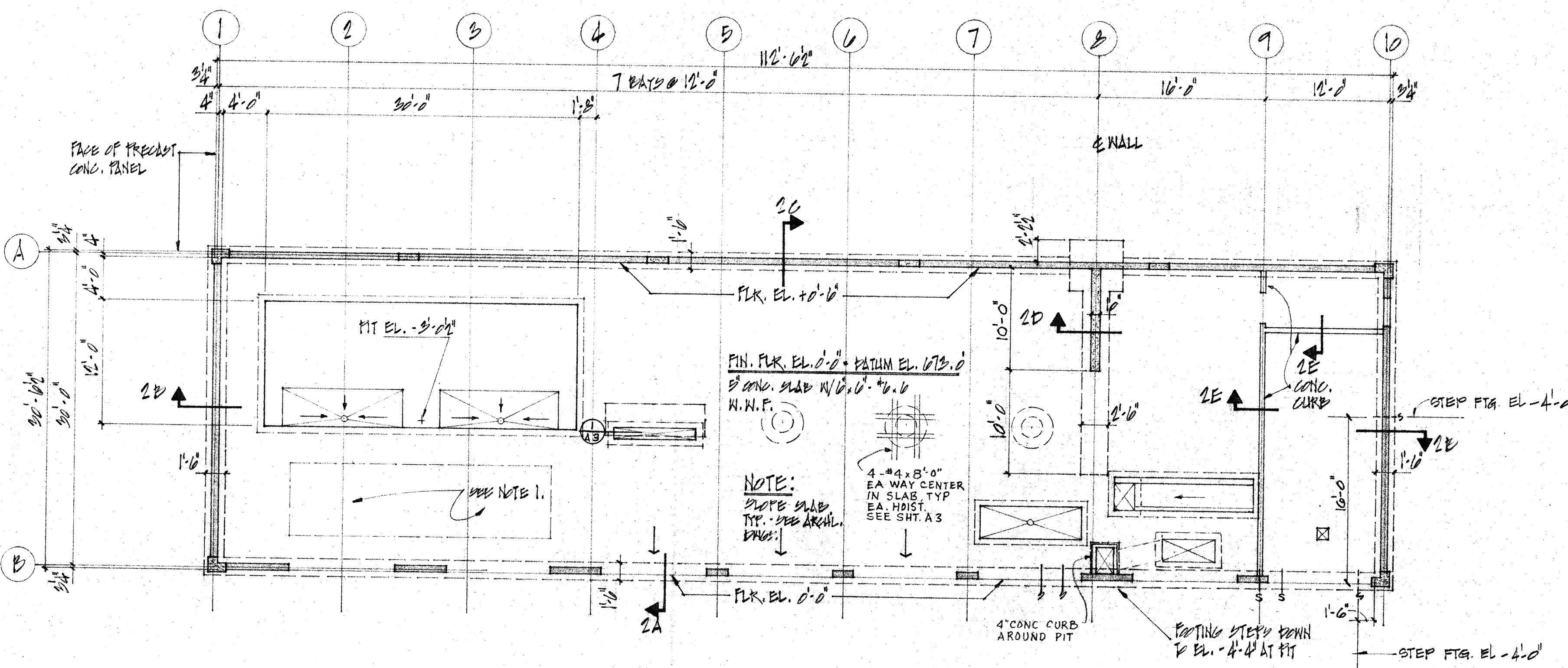


**ROOF FRAMING PLAN** 1/2" = 1'-0"

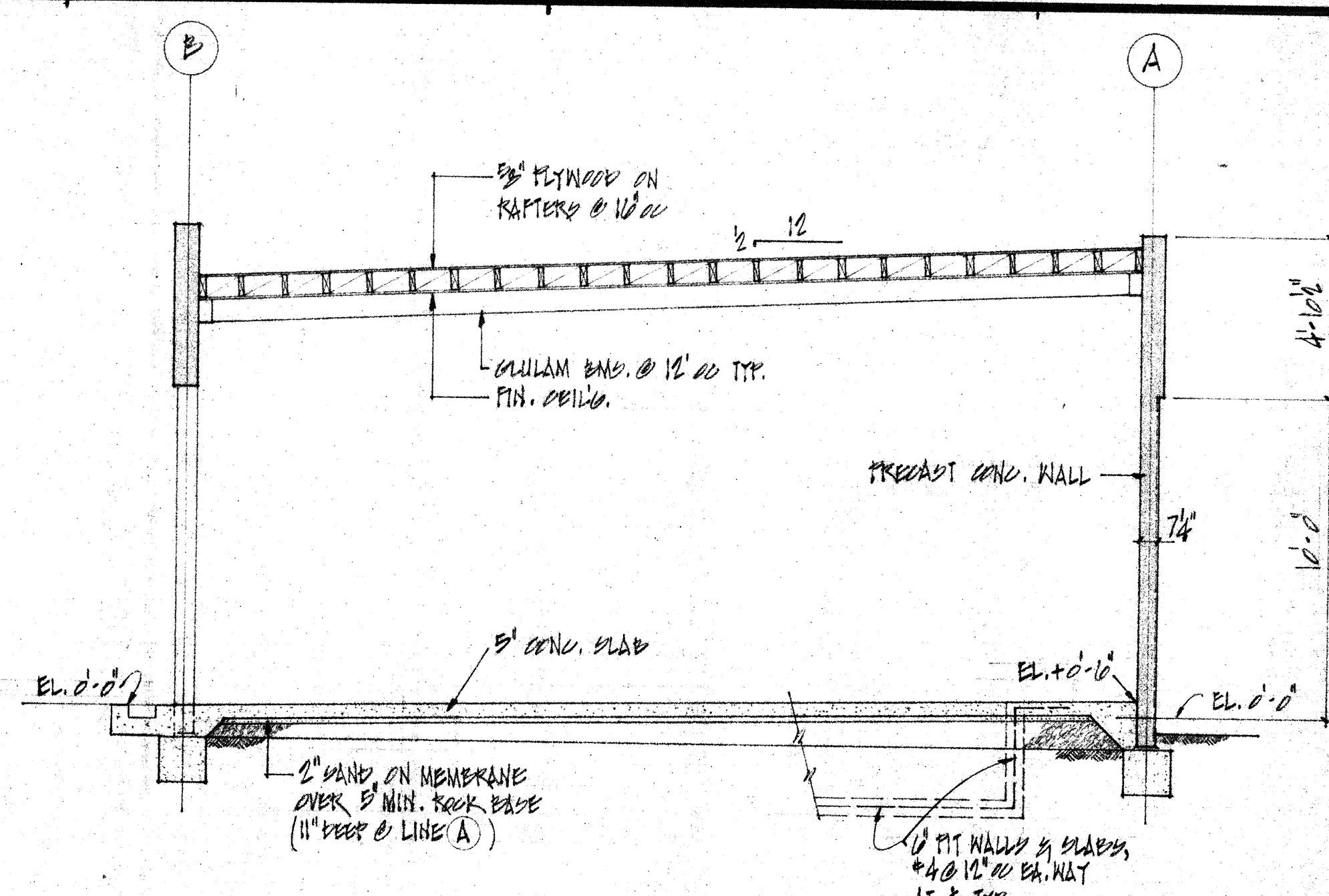
TO VERIFY TOP OF PLYWOOD EL. ABOVE FIN. FLOOR (EL. 0'-0").  
 FOR ROOF SLOPE, DRAINS, VENTS, SADDLES, ETC. REFER TO ARCHIT. ENDS.  
 2x6 HEADER AT OPENING W/ LB 2x10 JOIST HANGERS.

MARK	SIZE	CAMBER
GLB-1	2 1/2" x 16 1/2"	1"
GLB-2	2 1/2" x 16 1/2"	0"
GLB-3	2 1/2" x 16 1/2"	1"

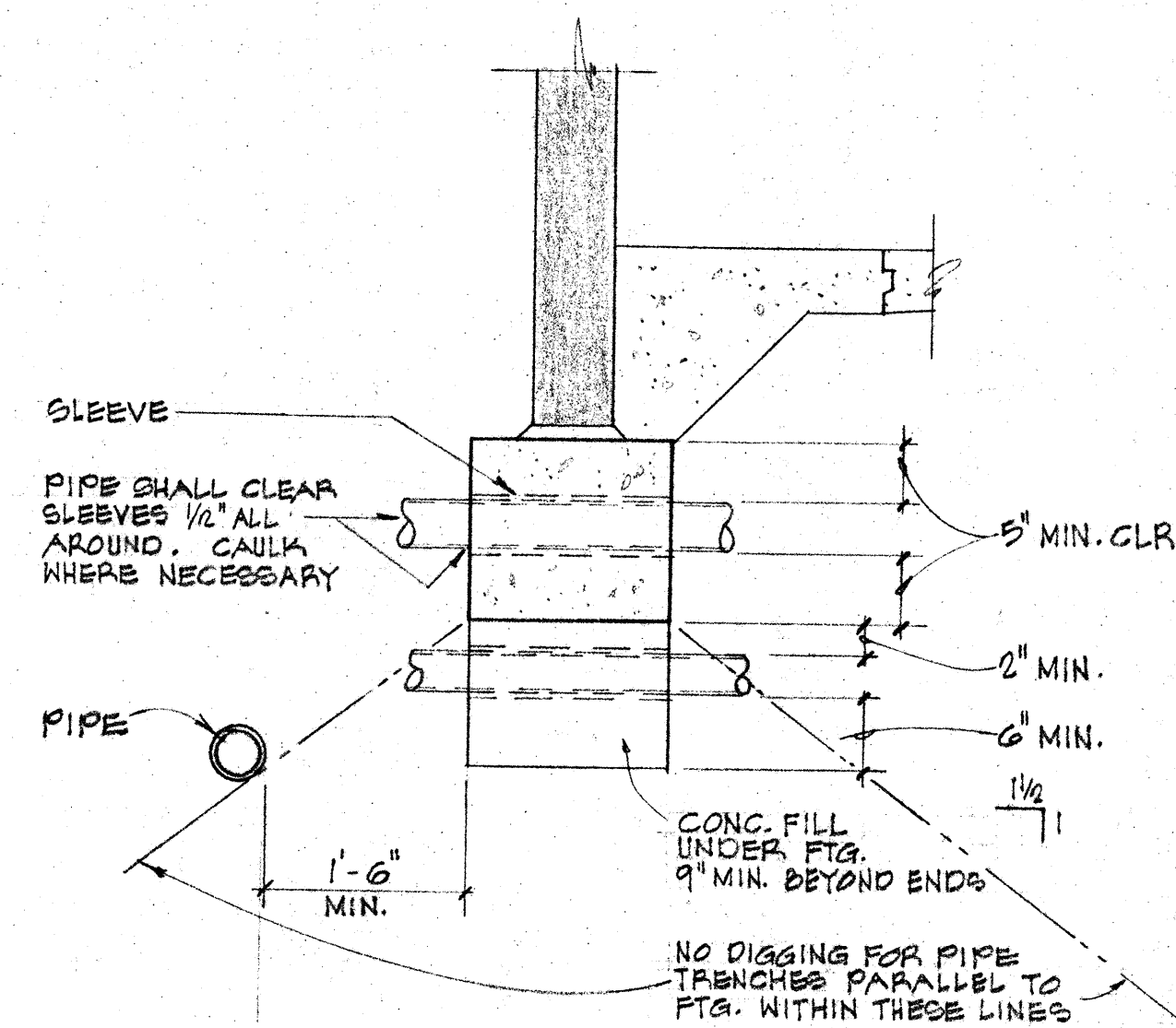


**FOUNDATION PLAN** 1/2" = 1'-0"

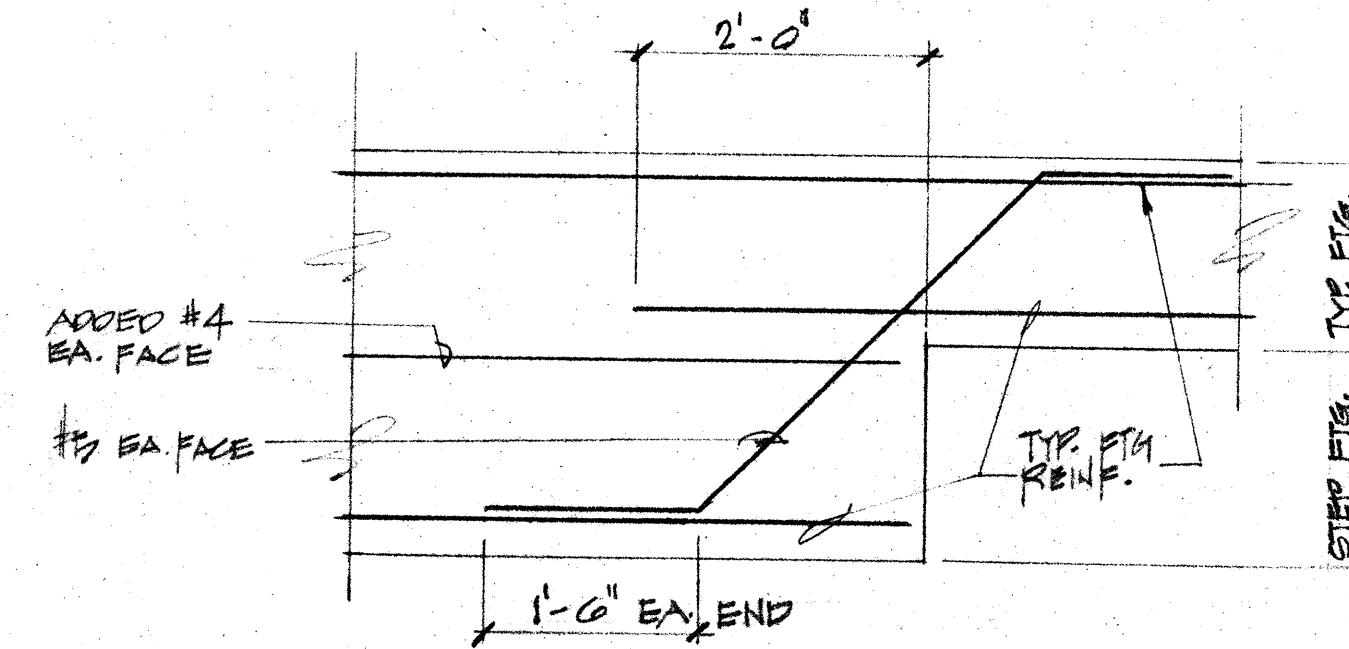
1. GRID AREA - PLAT. PARALLEL & LEVEL WITHIN ± 1/16"
2. FOR DIMENSIONS NOT SHOWN REFER & CHECK WITH ARCHIT. ENDS.
3. VERIFY CURBS, STEPS, TYP. FRAMING, ETC. WITH ARCHIT. ENDS.



**TYP. CROSS SECTION** 1/2" = 1'-0"



**1B-TYP. PIPE CLEARANCES & FTG. DETAIL**



**1C-TYP. FOOTING STEP**

**GENERAL NOTES**

- DIMENSIONS AND DATUM:**
- DIMENSIONS, UNLESS OTHERWISE SHOWN, ARE TO GRID LINES OR ROUGH CONCRETE SURFACES.
  - ELEVATIONS ARE GIVEN WITH REFERENCE TO DATUM GIVEN ON TYPICAL SECTION ON SHEET S-1.
- FOUNDATION:**
- WHERE PRACTICABLE, EXCAVATIONS SHALL BE MADE AS NEAR AS POSSIBLE TO THE NEAT LINES REQUIRED BY THE SIZE AND SHAPE OF THE STRUCTURE; NO MATERIAL SHALL BE EXCAVATED UNNECESSARILY.
  - ELEVATIONS OF BOTTOMS OF FOOTINGS HAVE BEEN ESTABLISHED TO REACH NATURAL GRAVELLY SOILS OR PROPERLY COMPACTED FILL. FROM REPORT BY HARDING LAWSON ASSOCIATES, DATED JUNE 3, 1977 THIS MATERIAL IS CAPABLE OF SUPPORTING 2500 PSF DEAD PLUS LIVE LOAD.
  - FOUNDATION EXCAVATIONS SHALL BE KEPT MOIST UNTIL CONCRETE IS PLACED.
  - AS EXCAVATION PROGRESSES, CONDITIONS MAY DEVELOP REQUIRING CHANGES. IN ELEVATIONS OR FOOTINGS, SUCH CHANGES SHALL BE MADE ONLY AS DIRECTED BY THE ARCHITECT.
  - WHERE BACKFILL IS PLACED AGAINST WALLS, THE WALLS SHALL BE ADEQUATELY SHORED UNTIL THE CONSTRUCTION WHICH BRACES THE WALLS HAS BEEN ERECTED AND HAS ATTAINED ITS DESIGN STRENGTH.
  - BACKFILL SHALL BE PLACED IN LAYERS NOT TO EXCEED 6" IN DEPTH. EACH LAYER SHALL BE MOISTENED AND THOROUGHLY COMPACTED PRIOR TO PLACING THE NEXT LAYER.

- CONCRETE:**
- BASIS FOR DESIGN: F'C = 3000 PSI FOR ALL CONCRETE
  - ALL CONCRETE SHALL BE REINFORCED UNLESS SPECIFICALLY MARKED 'NOT REINFORCED'.
- STEEL REINFORCEMENT:**
- BARS: A.S.T.M. A-615, HWF; A.S.T.M. A-185.
  - GRADE 40 EXCEPT AS NOTED.
  - REINFORCEMENT SHALL BE CONTINUOUS, WITH SPLICES STAGGERED WHEREVER POSSIBLE. UNLESS DETAILED, SPLICES IN CONCRETE SHALL HAVE 40 DIAMETER LAPS.
  - HOLD REINFORCEMENT IN ITS TRUE POSITION WITH DEVICES SUFFICIENTLY NUMEROUS TO PREVENT DISPLACEMENT BY OPERATIONS BEFORE AND DURING CONCRETE PLACING.
  - HOOKS, BENDS, AND CLEARANCES CONFORM TO A.C.I. STANDARDS UNLESS DETAILED.
- CONSTRUCTION JOINTS:**
- FOR CONSTRUCTION JOINTS IN GENERAL, SEE SPECIFICATIONS.
  - THOROUGHLY SANDBLAST WITH COARSE SILICA SAND ALL CONSTRUCTION JOINTS TO CLEAN AND ROUGHEN THE ENTIRE SURFACE OF THE JOINT, EXPOSING CLEAN COARSE AGGREGATE SOLIDLY EMBEDDED IN MORTAR MATRIX.

- CARPENTRY:**
- SILL ON CONCRETE - FOUNDATION GRADE REDWOOD, ANCHOR WITH 5/8" X 12" BOLTS AT 48" OC MAXIMUM, MINIMUM 2 EACH PIECE AND ONE WITHIN 9" OF EACH END.
  - WALLS - 2 X 4 STUDS UNLESS NOTED, BRIDGING OR BLOCKING TO GIVE 8'-0" MAXIMUM UNBRACED LENGTH.
  - PLYWOOD SHEATHING - SHALL BE STRUCTURAL I. CENTER SHEET EDGES ACCURATELY OVER SUPPORTING MEMBERS. SHEETS SHALL BE 16" MINIMUM IN WIDTH. ON ROOF LAY FACE GRAIN PERPENDICULAR TO SUPPORTS AND STAGGER END JOINTS. PLYWOOD NAILS SHALL PENETRATE FRAMING 1-5/8" MIN. FOR 10D.
  - WASHERS - FOR MACHINE BOLTS AND LAG SCREWS WITH HEADS OR NUTS BEARING ON WOOD, USE THE FOLLOWING:
- | BOLT DIAMETER | PLATE WASHER           | OR | MALLEABLE IRON WASHER |
|---------------|------------------------|----|-----------------------|
| 1/2"          | 2 1/2" X 5/8" X 2"     |    | 2 1/2" DIA. X 1 1/2"  |
| 5/8"          | 2 3/4" X 5/8" X 2 1/4" |    | 2 3/4" DIA. X 1 3/4"  |
| 3/4"          | 2 3/4" X 5/8" X 2 3/4" |    | 3" DIA. X 3/8"        |
- LAG SCREWS - SCREW INTO PRE-DRILLED HOLES SAME DIAMETER AS ROOT OF THREAD. ENLARGE TO SHANK DIAMETER FOR LENGTH OF SHANK.
  - BOLTS - DRILL HOLES 1/16" OVERSIZED.
  - NAILING SCHEDULE - ALL MEMBERS THROUGHOUT BUILDING SHALL BE CONNECTED TOGETHER WITH NAILING LISTED IN THIS SCHEDULE UNLESS A GREATER NUMBER ARE SHOWN OR CALLED FOR ELSEWHERE IN THE DRAWINGS. ALL NAILS SHALL BE COMMON WIRE NAILS EXCEPT AS NOTED OTHERWISE. PREDRILL HOLES 7/8" NAIL DIAMETER, IF NECESSARY, TO PREVENT SPLITTING.
- JOISTS OR RAFTERS TO ALL BEARINGS . . . . . 2-10D TOENAILS EA. SIDE  
 STUDS TO BEARINGS . . . . . 2-10D TOENAILS EA. SIDE  
 HERRINGBONE & STUD BLOCKING . . . . . 2-10D NAILS EA. END  
 MULTIPLE STUDS AND BUILT-UP BEAMS . . . . . 16D & 12" OC MAXIMUM  
 CROSS BRACING . . . . . 2-8D EACH END EA. PIECE  
 2 X CEILING STRIPPING . . . . . 1-16D STRONGHOLD  
 DOUBLE TOP PLATES:  
 LOWER PLATE TO TOP OF STUD . . . . . 2-20D NAILS  
 UPPER TO LOWER PLATE . . . . . 16D 12" OC (LAP 4'-0")  
 PLYWOOD SHEATHING - SEE ROOF FRAMING PLAN & C ABOVE.
- METAL FRAMING DEVICES SHALL BE AS MANUFACTURED BY SIMPSON COMPANY, SAN LEANDRO; OR APPROVED EQUAL.

- LEGEND:**
- 2A SECTION NUMBER
  - SHEET ON WHICH SECTION IS SHOWN
  - POURED IN PLACE CONCRETE
  - PRECAST CONCRETE
  - CONTINUOUS WOOD
  - DISCONTINUOUS WOOD (BLOCKING)
- W.W.F. = WELDED WIRE FABRIC  
 O.C. = ON CENTER  
 O.F.S. = OUTSIDE FACE OF STUDS  
 M.B. = MACHINE BOLTS  
 A.B. = ANCHOR BOLTS  
 T.S. = TOP OF PLYWOOD SHEATHING  
 G.L.B. = GLUED LAMINATED BEAM

**RINNE & PETERSON**  
 STRUCTURAL ENGINEERS  
 2490 EL CAMINO REAL  
 PALO ALTO  
 CALIFORNIA 94306  
 (415) 326-6473

**KELLER AND DASEKING ARCHITECTS**  
 WALTER L. KELLER A.I.A.  
 WILLIAM H. DASEKING A.I.A.  
 Walter L. Keller  
 825 OAK GROVE AVENUE  
 MENLO PARK, CALIFORNIA

40530  
 JUL 1977  
 AUTOMOTIVE SHOP SKYLINE COLLEGE

7705  
 6/6/77  
 S-1  
 6 OF 12