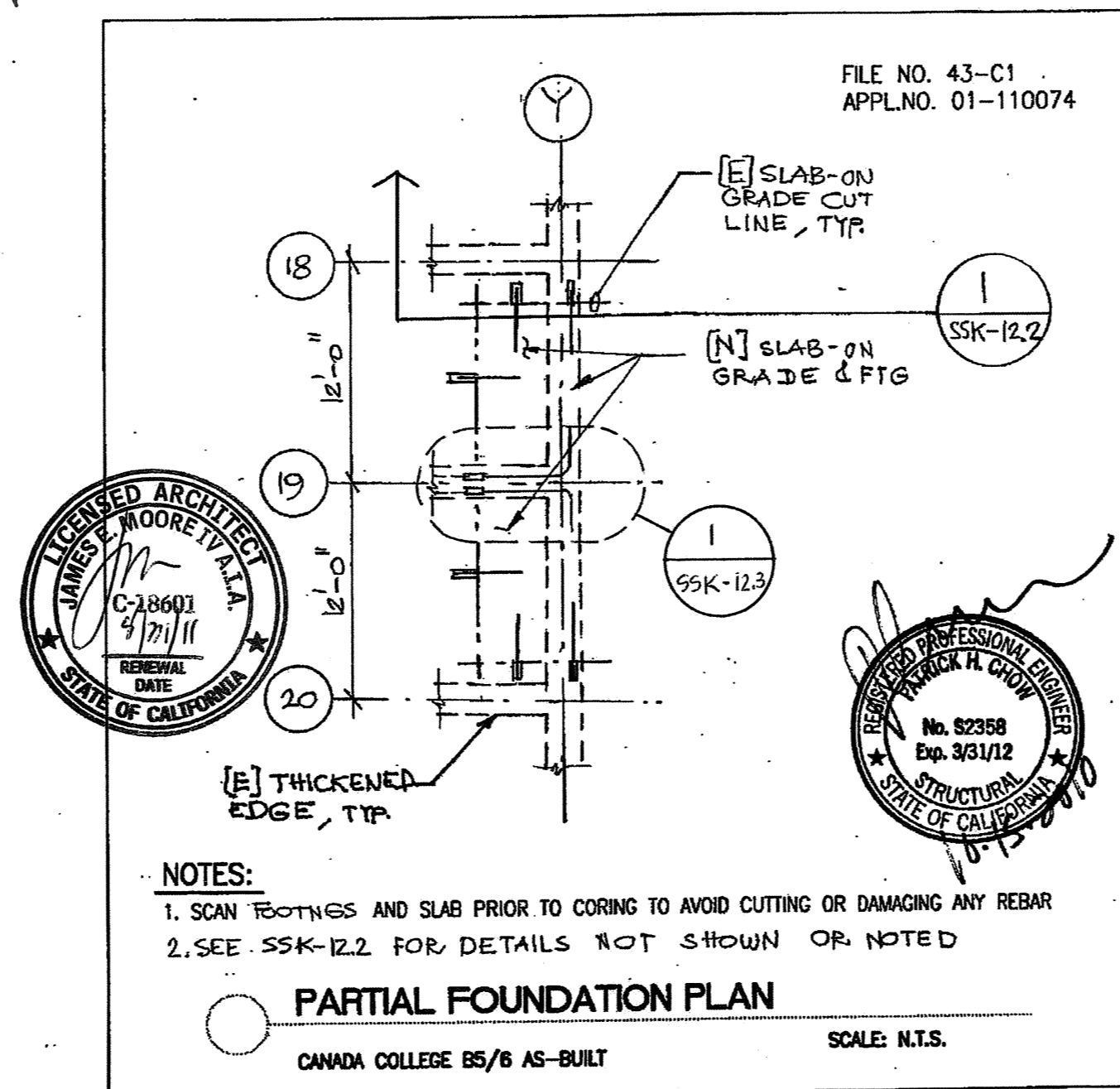


RFP41



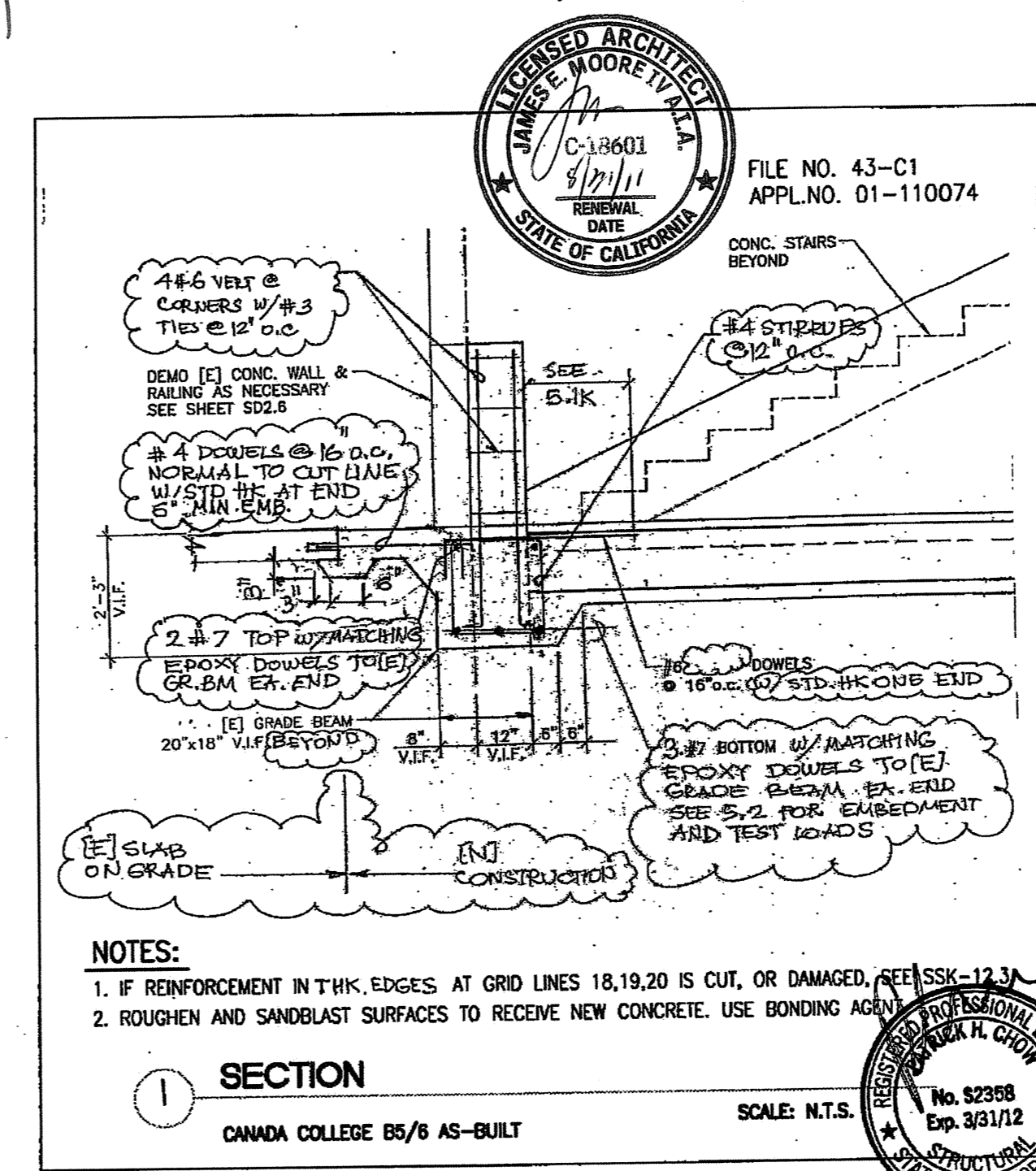
BCA Title: LANAI WALL FOOTING REPAIR

Project Name: CANADA COLLEGE - BUILDINGS 5 & 6 RENOVATIONS
SAN MATEO COUNTY COMMUNITY COLLEGE DISTRICT
4200 FARM HILL BOULEVARD
REDWOOD CITY, CA 94061
FILE NO. 43-C1 APPL. 01-110074

Scale: AS NOTED

Project Number: SSK-12.1

RFP41



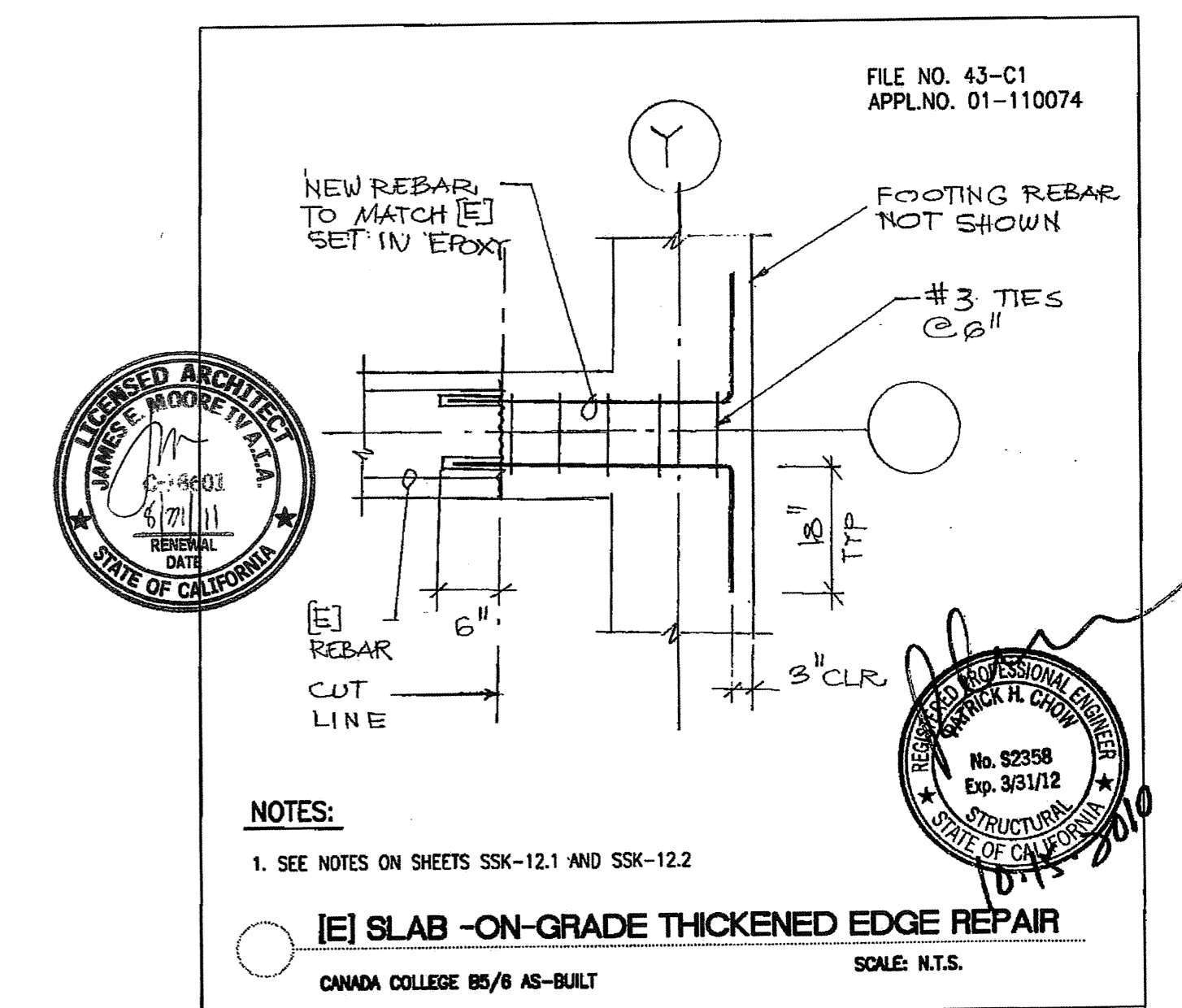
BCA Title: LANAI WALL FOOTING REPAIR

Project Name: CANADA COLLEGE - BUILDINGS 5 & 6 RENOVATIONS
SAN MATEO COUNTY COMMUNITY COLLEGE DISTRICT
4200 FARM HILL BOULEVARD
REDWOOD CITY, CA 94061
FILE NO. 43-C1 APPL. 01-110074

Scale: AS NOTED

Project Number: SSK-12.2

RFP41



BCA Title: LANAI WALL FOOTING REPAIR

Project Name: CANADA COLLEGE - BUILDINGS 5 & 6 RENOVATIONS
SAN MATEO COUNTY COMMUNITY COLLEGE DISTRICT
4200 FARM HILL BOULEVARD
REDWOOD CITY, CA 94061
FILE NO. 43-C1 APPL. 01-110074

Scale: AS NOTED

Project Number: SSK-12.3