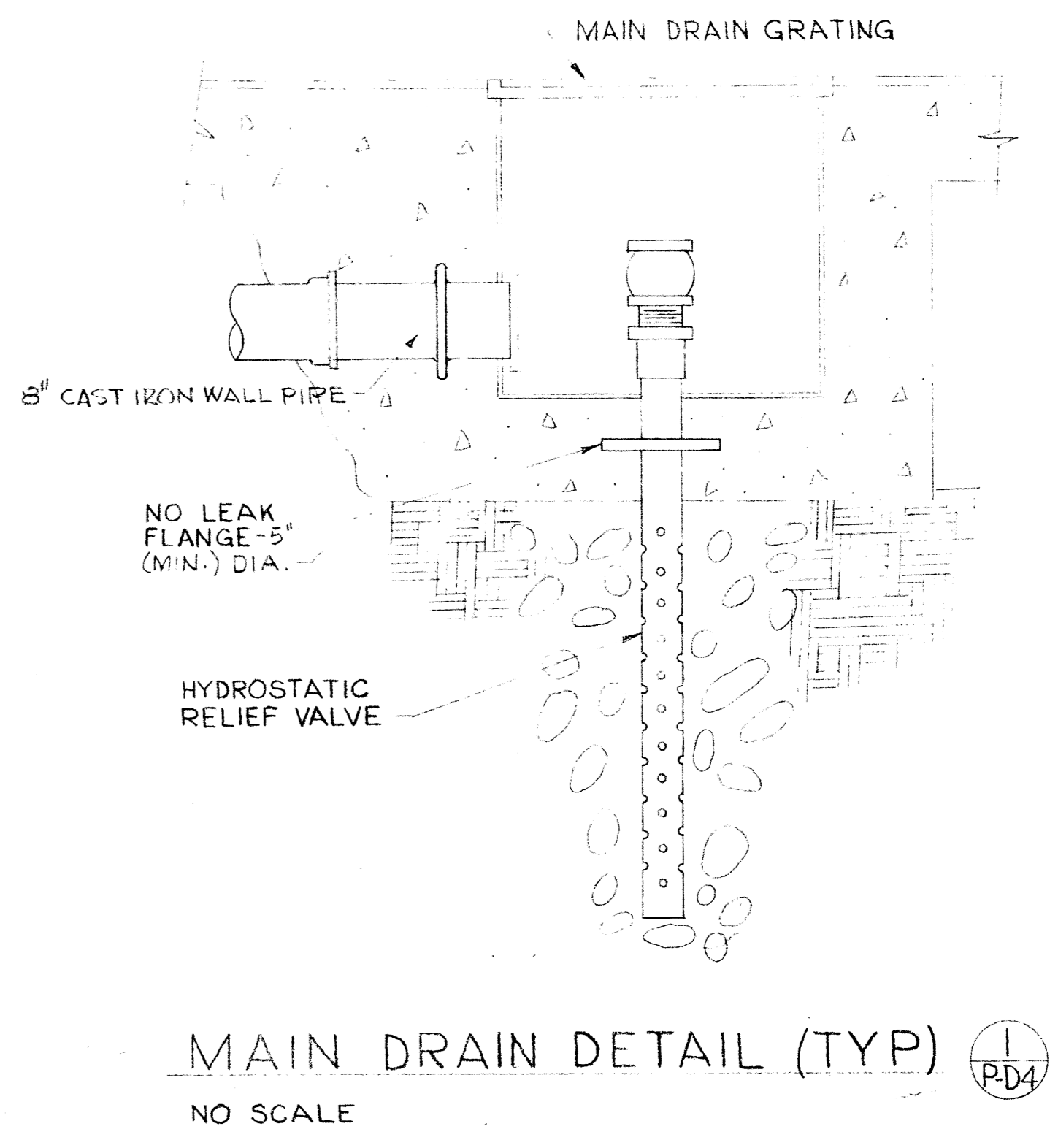


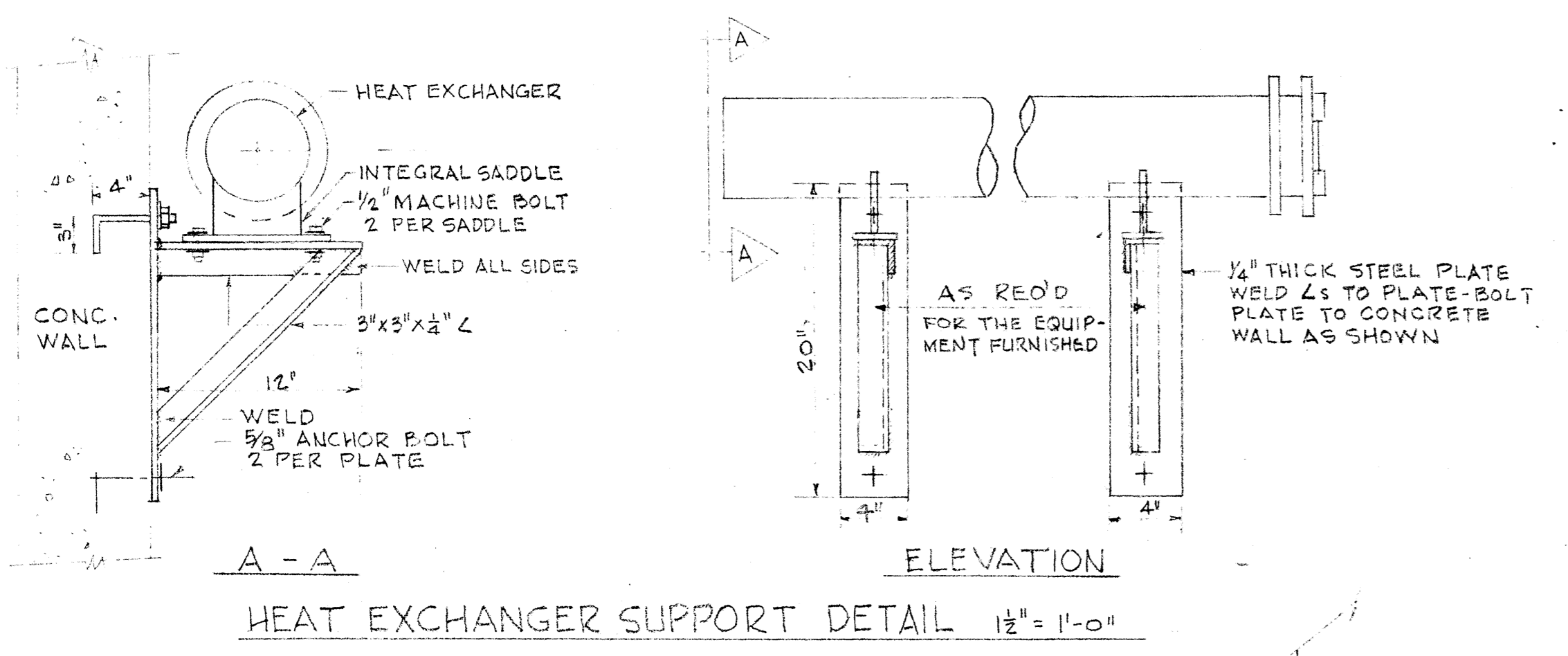
FLOW DIAGRAM
 NO SCALE



MAIN DRAIN DETAIL (TYP)
 NO SCALE

PUMP SCHEDULE						
ITEM	SERVICE	G.P.M.	HEAD FT.	MAX. R.P.M.	MIN. H.P.	NOTES
1	RECIRCULATING	1000	60	1760	25	
2	RECIRCULATING	1000	35	1150	20	
3	SLURRY BACKWASH	150	25	1800	2	
4	BOOSTER	20	110	3450	2	
5	VACUUM	140	20	3450	3	
6	SUMP PUMP	15	20	1800	2	
7	HEATING WATER CIRC.	120	20	1800	1 1/2	

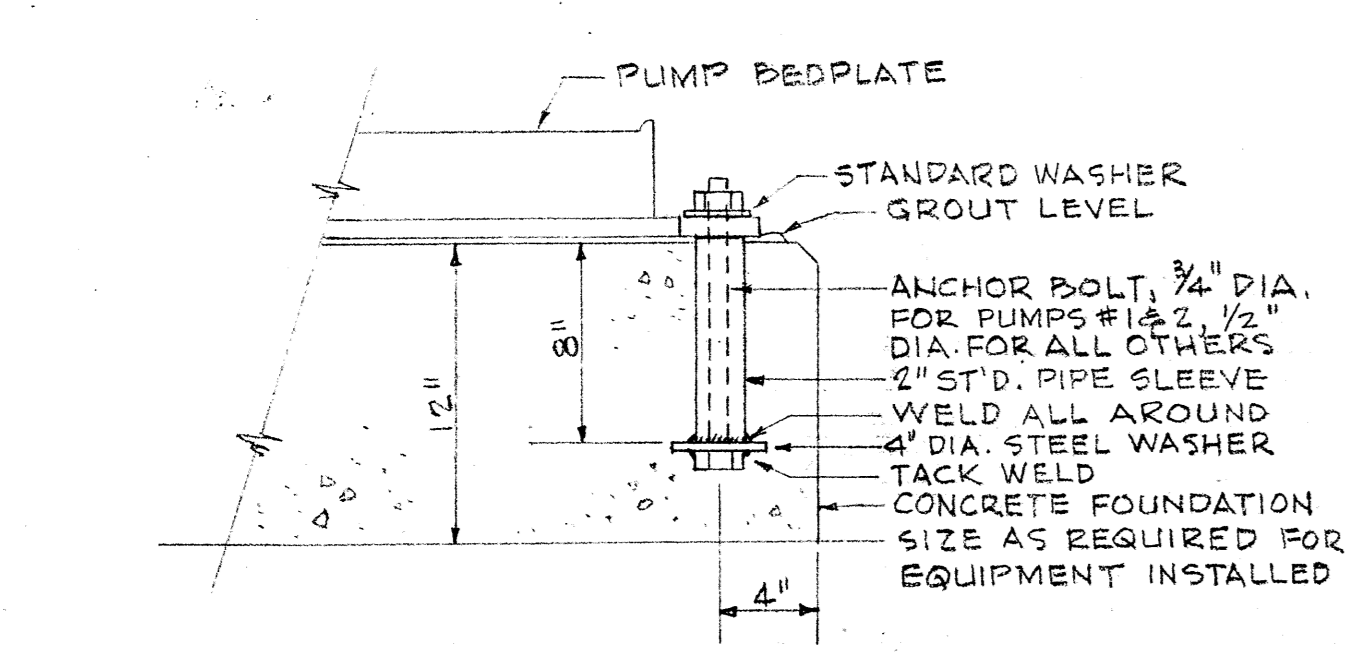
SEE SPECIFICATIONS FOR CHEMICAL & SLURRY FEED PUMP MOTORS AND AGITATORS



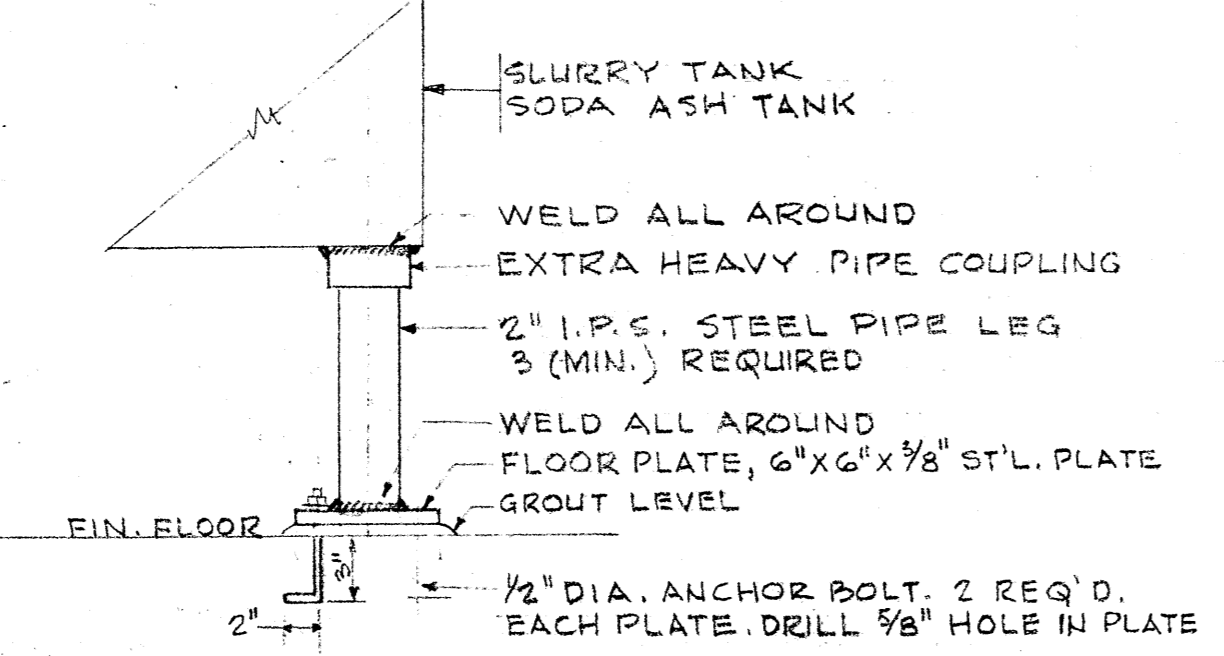
HEAT EXCHANGER SUPPORT DETAIL
 1/2" = 1'-0"

VALVE & GAUGE LEGEND

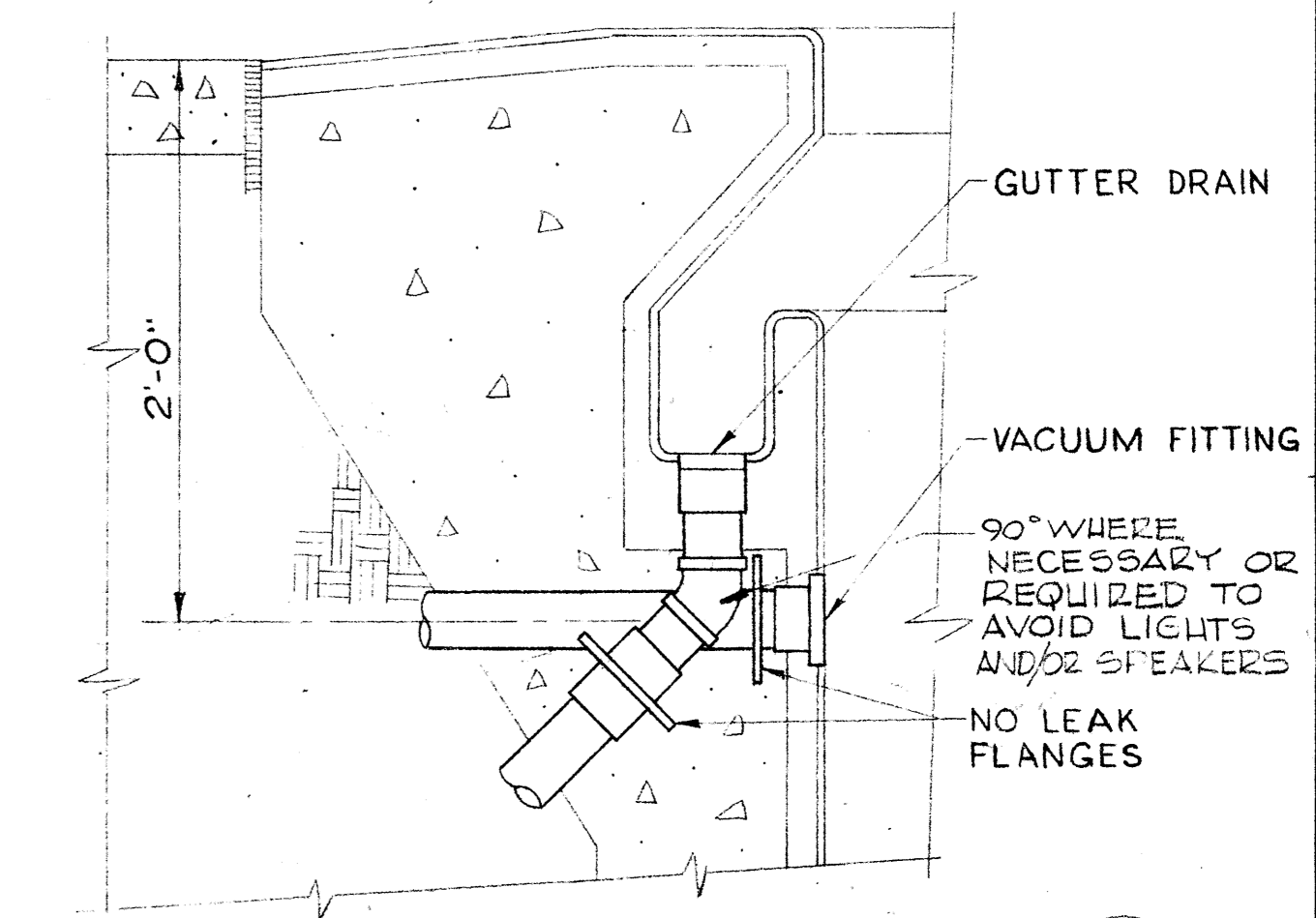
- ⊘ PLUG VALVE
- ⊘ BUTTERFLY VALVE
- ⊘ THERMOMETER
- ⊘ PRESSURE GAUGE
- ⊘ VACUUM GAUGE
- ⊘ GATE VALVE



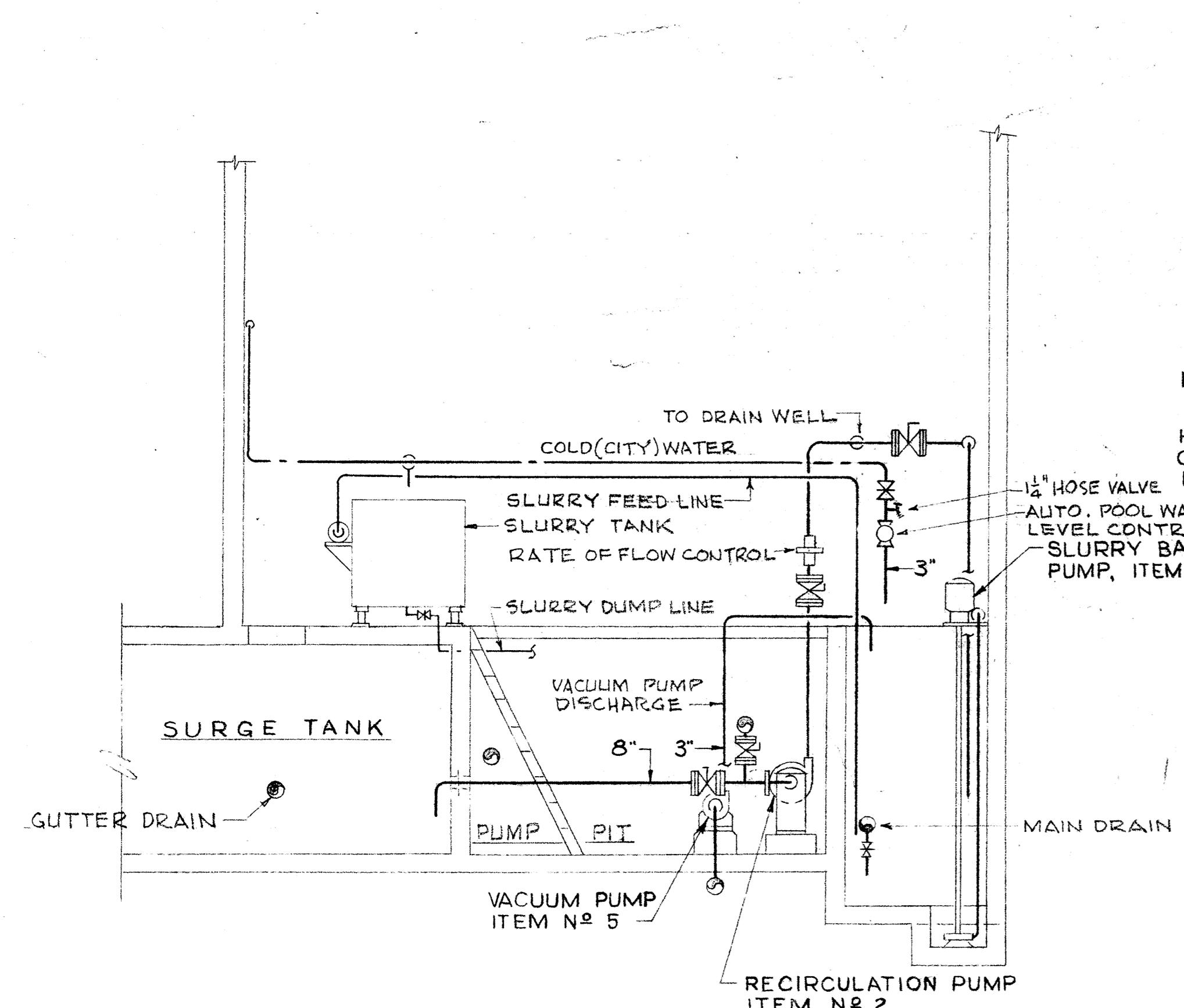
TYPICAL PUMP ANCHORING DETAIL
 SCALE - 1/2" = 1'-0"
 AN ANCHOR BOLT SHALL BE PROVIDED FOR EACH BOLT HOLE DRILLING IN PUMP BED PLATES. ALL DIMENSIONS ARE MINIMUM.



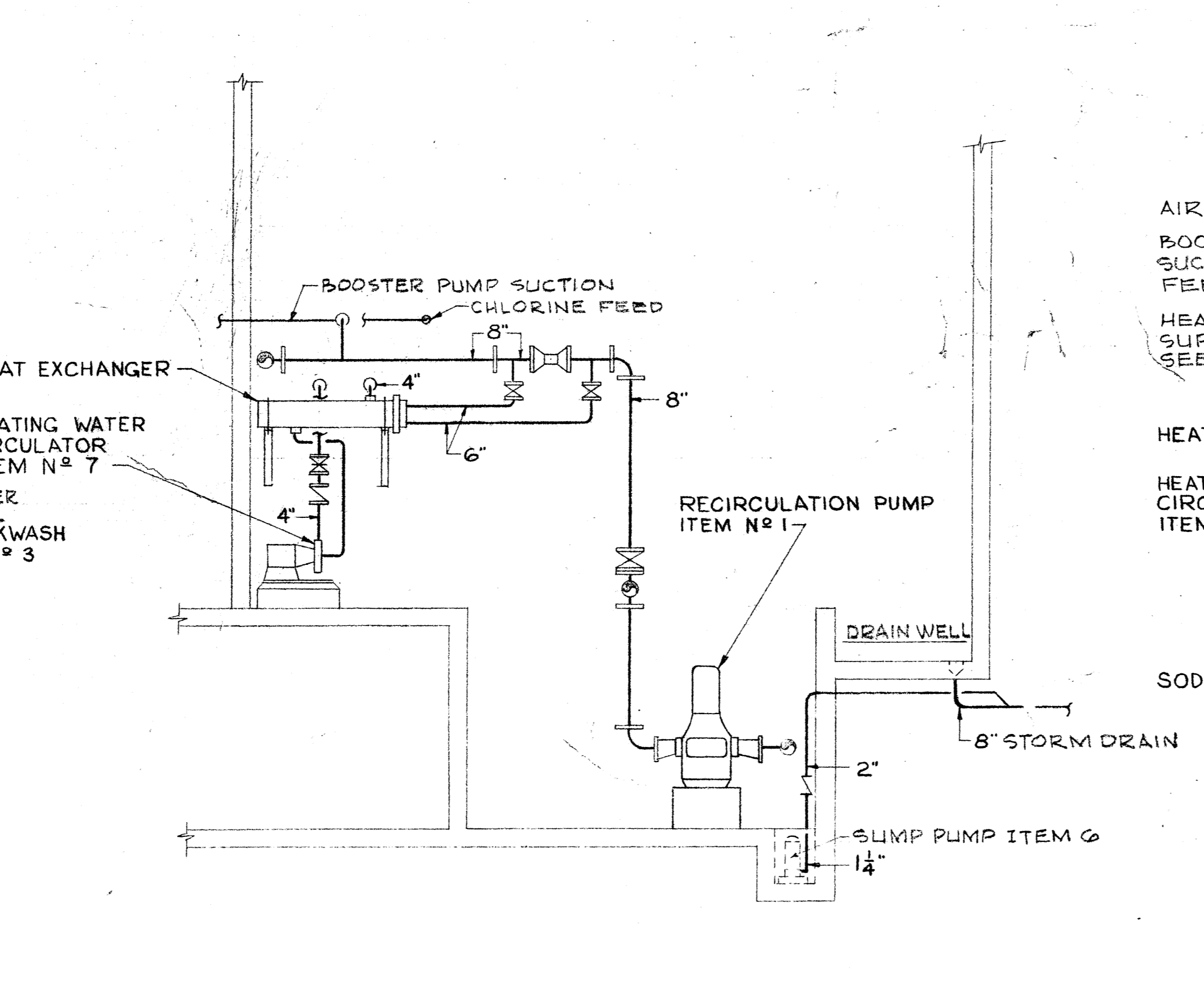
TYPICAL TANK ANCHORING DETAIL
 NOT TO SCALE



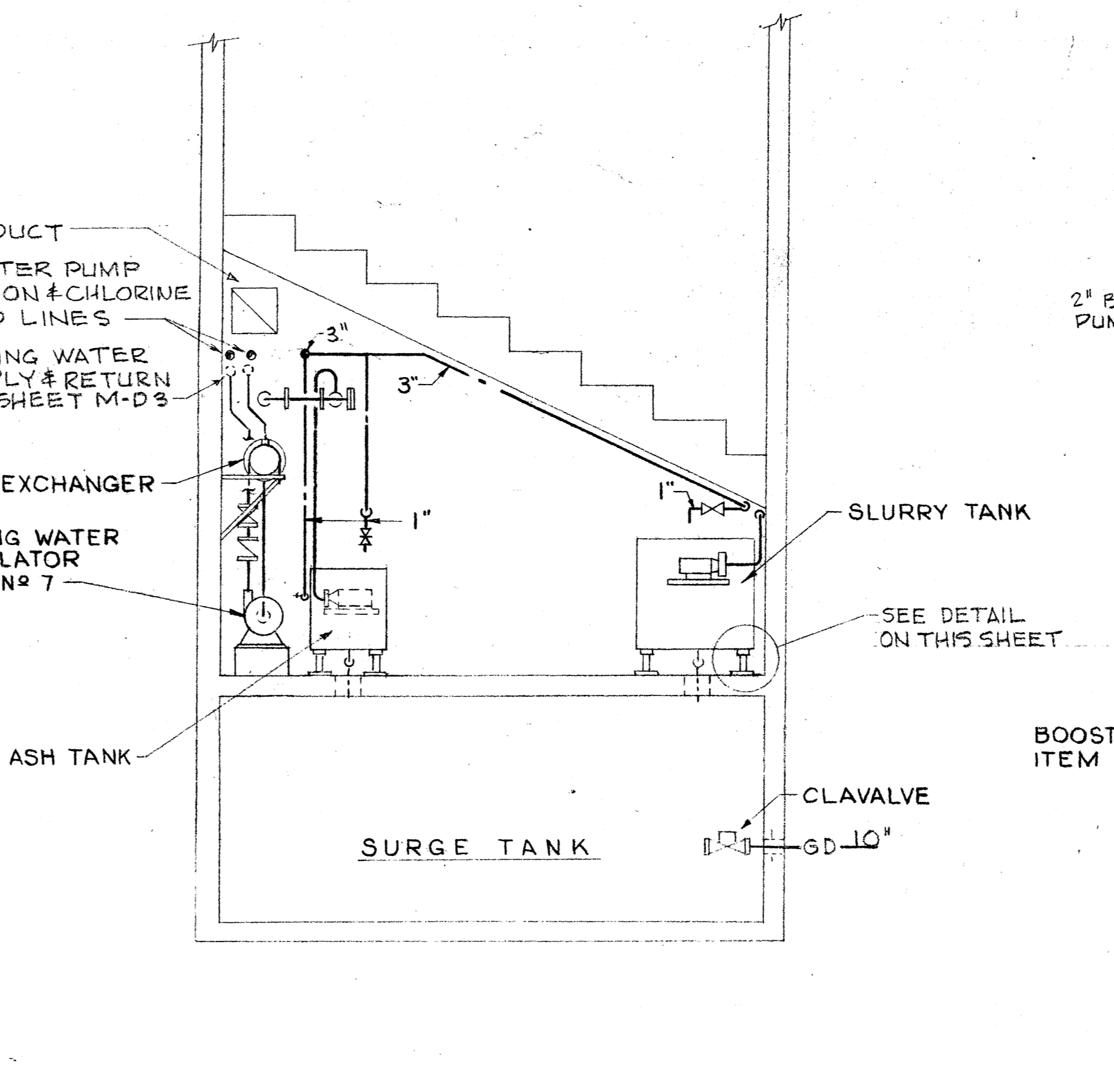
VACUUM FITTING & GUTTER DRAIN DETAIL
 NO SCALE



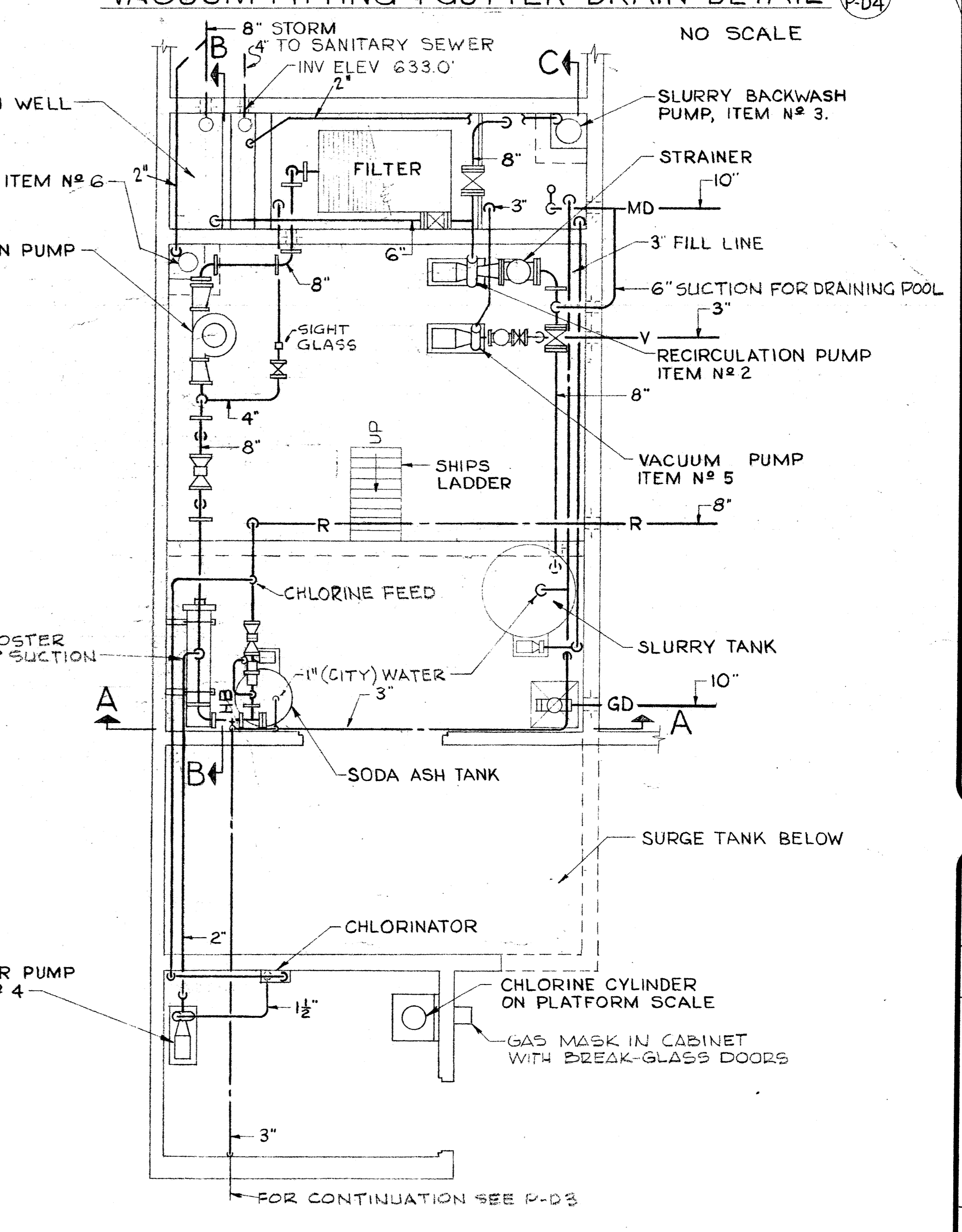
SECTION C-C



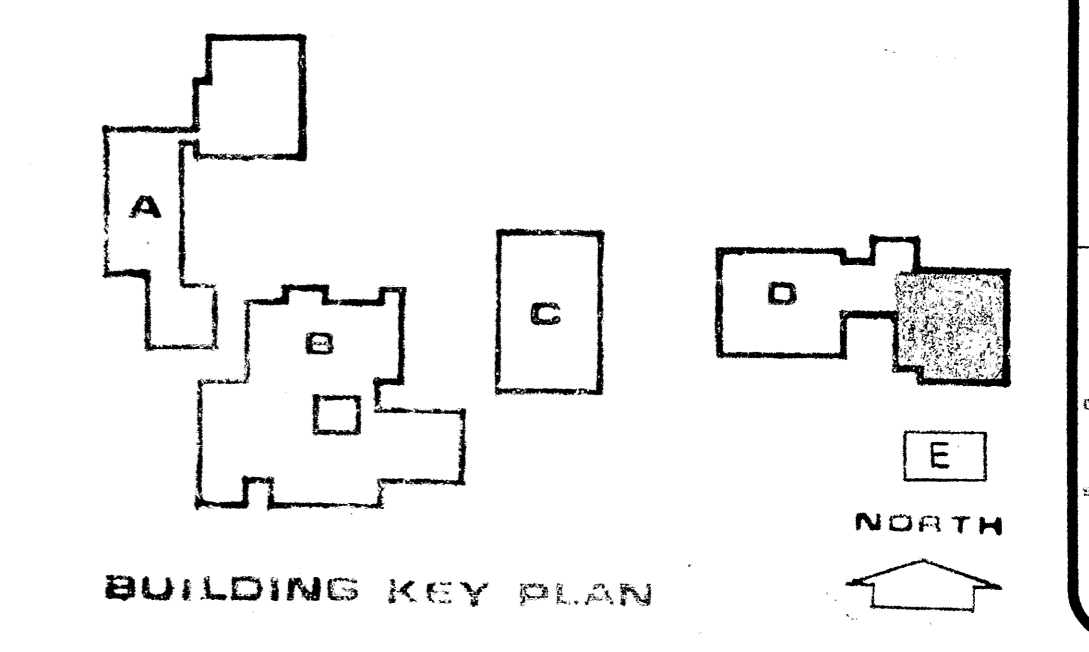
SECTION B-B



SECTION A-A



POOL EQUIPMENT ROOM PLAN
 SCALE: 1/4" = 1'-0"



BUILDING KEY PLAN

BUILDING D PHYSICAL EDUCATION PLUMBING - POOL EQUIP ROOM PLAN

COLLEGE OF SAN MATEO
 SAN BRUNO CALIFORNIA

DATE: FEB 10, 1967

NO. REVISION DESCRIPTION DATE APPROVED

SCALE: AS SHOWN
 JOB NO. G-115
 D.B. L.F.Y.
 CHECK BY G.R.Y.
 DATE FEB 10, 1967

SHEET NUMBER

OF 4 SHEETS
 REVISION NO.

JOHN CARL WARNECKE P.E.
 JOHN CARL WARNECKE & ASSOCIATES
 ARCHITECTS AND PLANNING CONSULTANTS
 61 NEW MONTGOMERY STREET
 SAN FRANCISCO

JOHN CARL WARNECKE & ASSOCIATES
 ARCHITECTS AND PLANNING CONSULTANTS
 61 NEW MONTGOMERY STREET
 SAN FRANCISCO

JOHN CARL WARNECKE & ASSOCIATES
 ARCHITECTS AND PLANNING CONSULTANTS
 61 NEW MONTGOMERY STREET
 SAN FRANCISCO