

WILLS CONSTRUCTION CO. INC. 2281 SAN JUAN AVENUE, SAN JUAN BAPTIST, CA 95045 (925) 423-2900 • FAX (925) 423-2948	
NO.	DATE
1	10/10/08
2	10/10/08
3	10/10/08
4	10/10/08
5	10/10/08
6	10/10/08
7	10/10/08
8	10/10/08
9	10/10/08
10	10/10/08
11	03/11/09

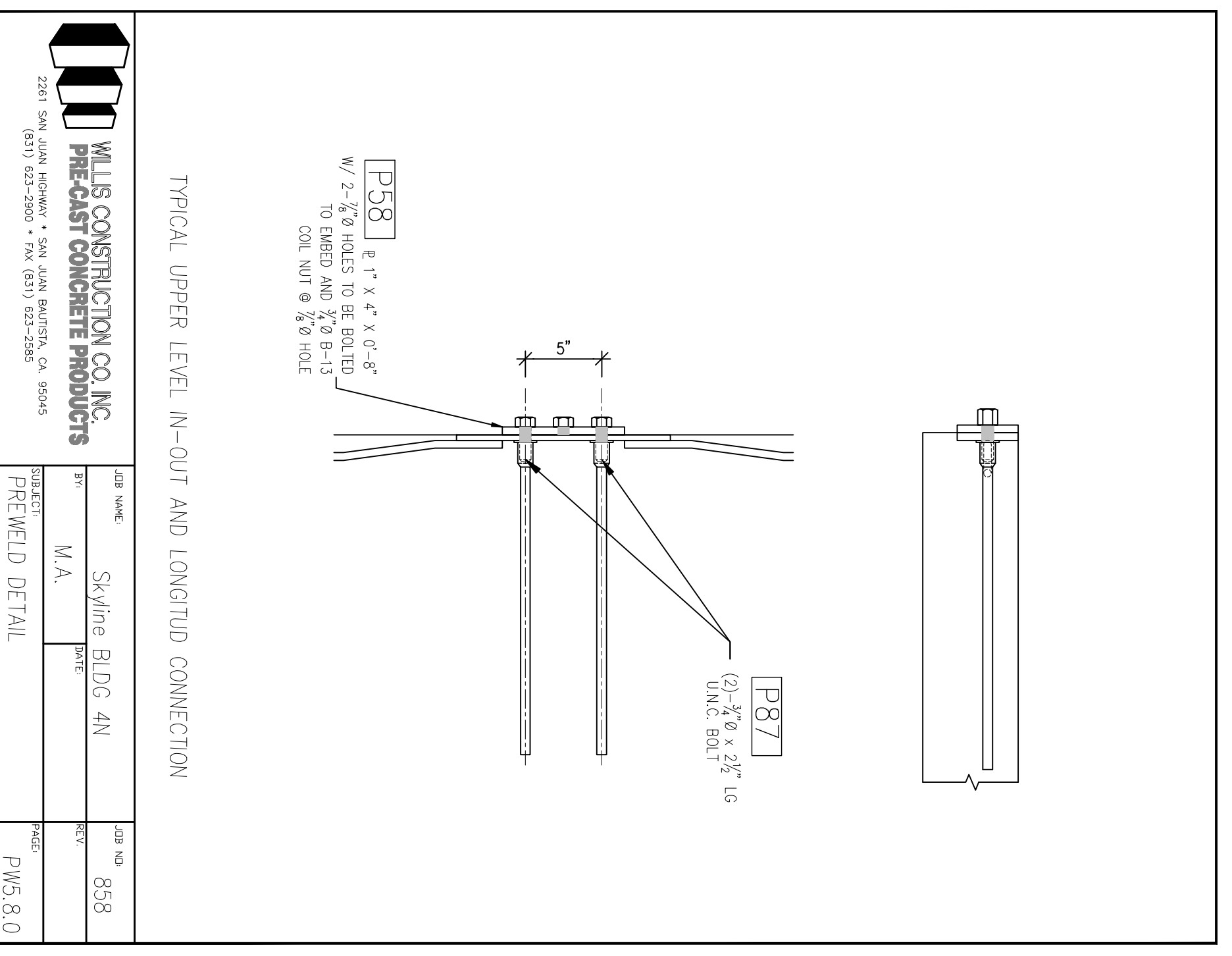
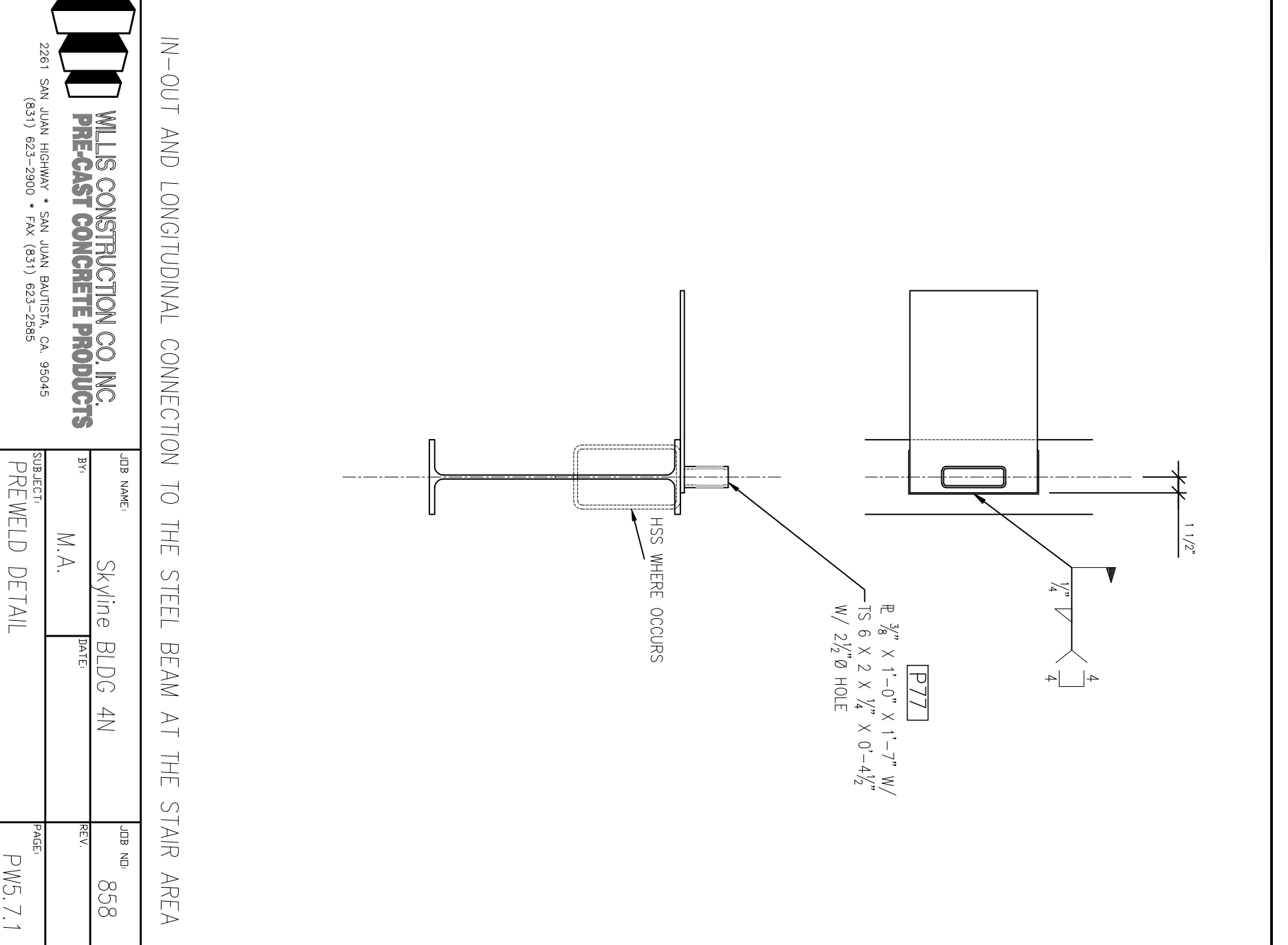
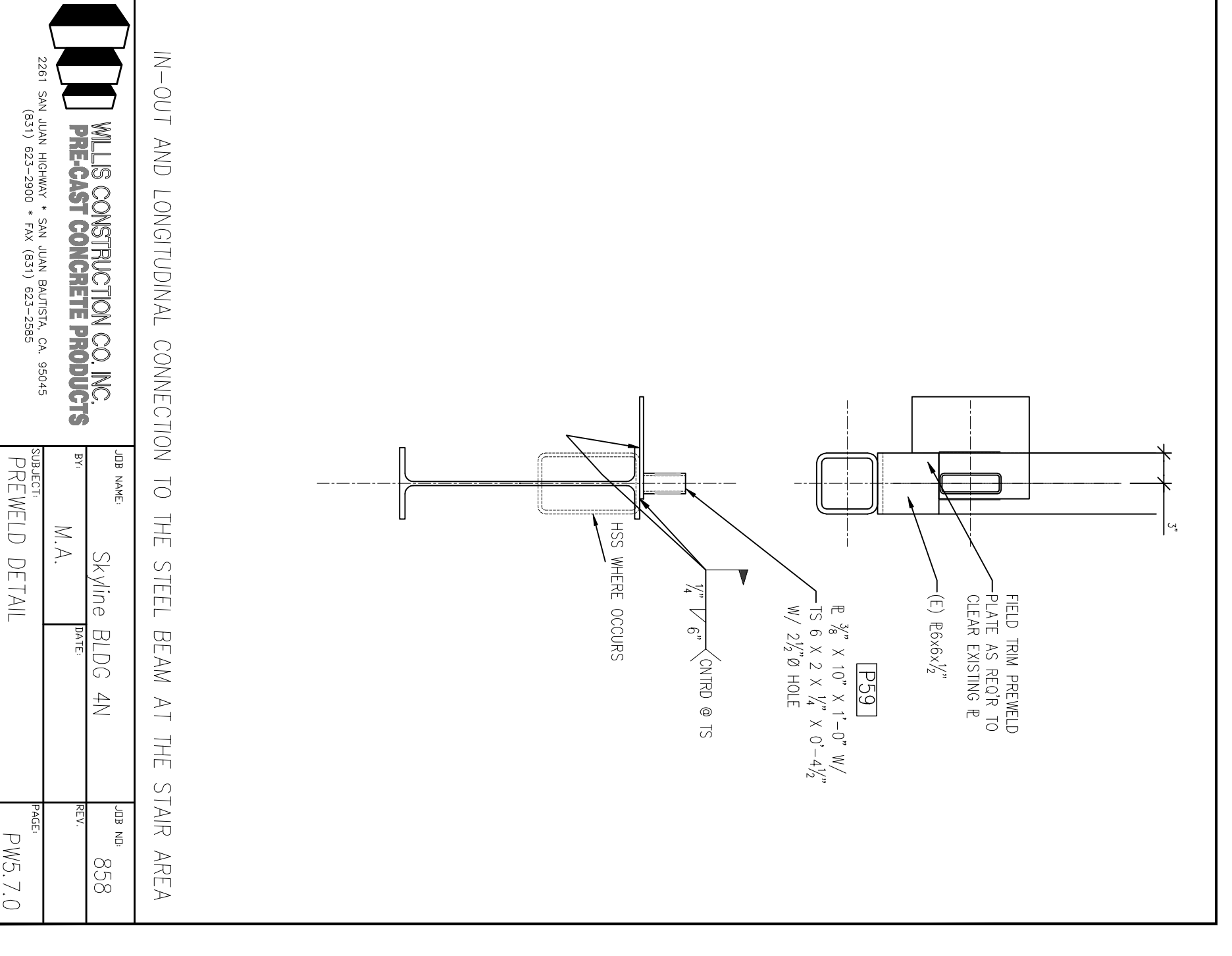
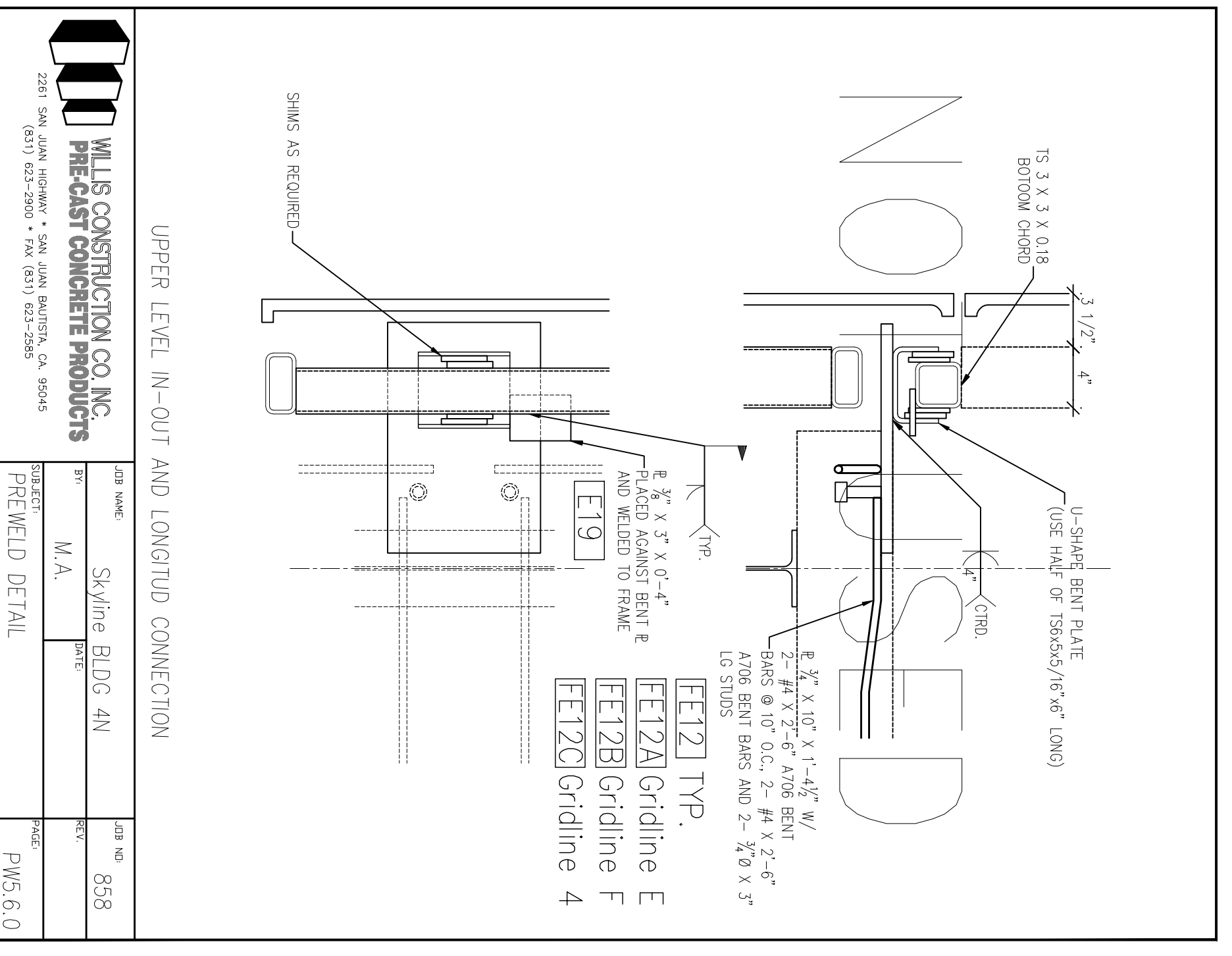
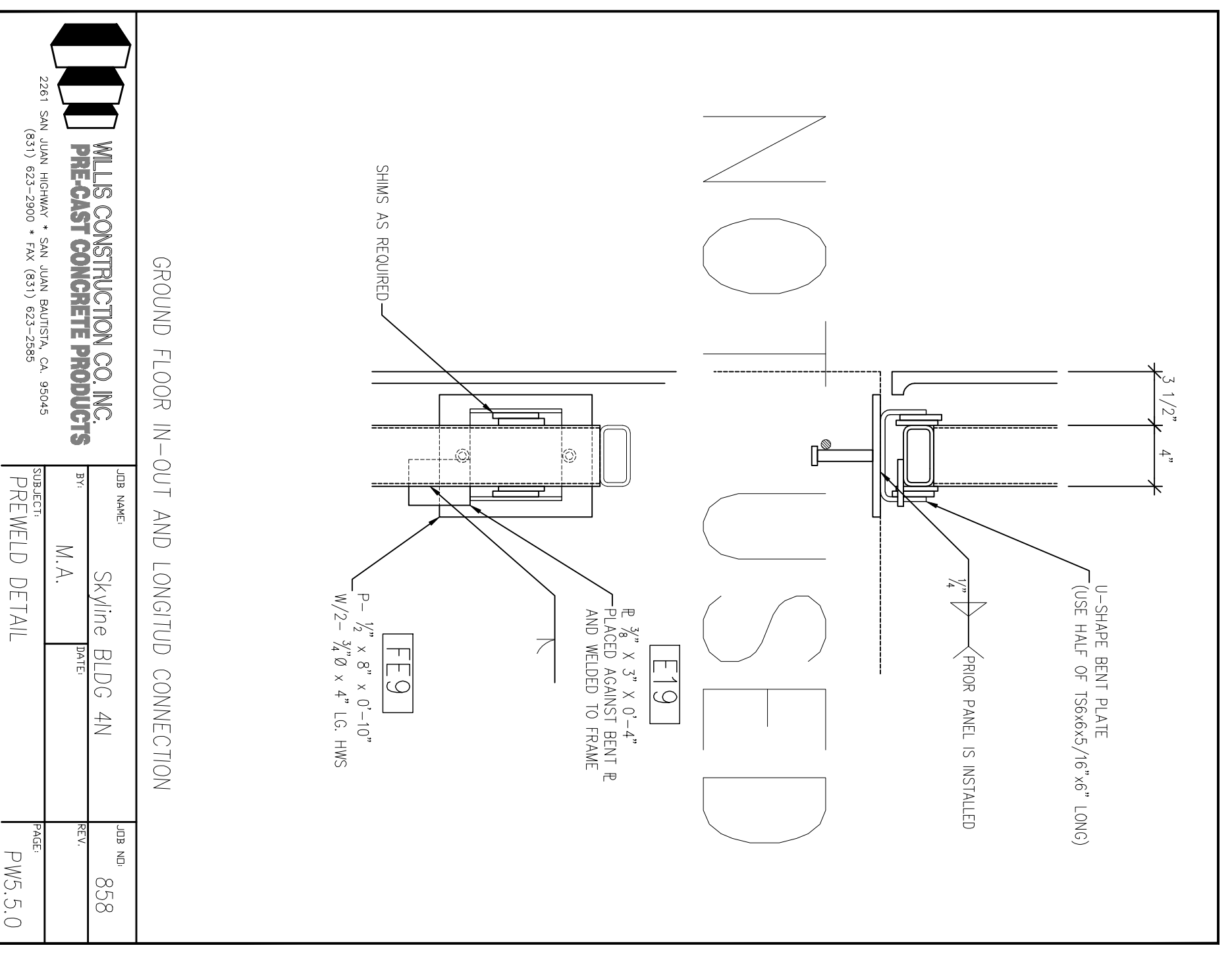
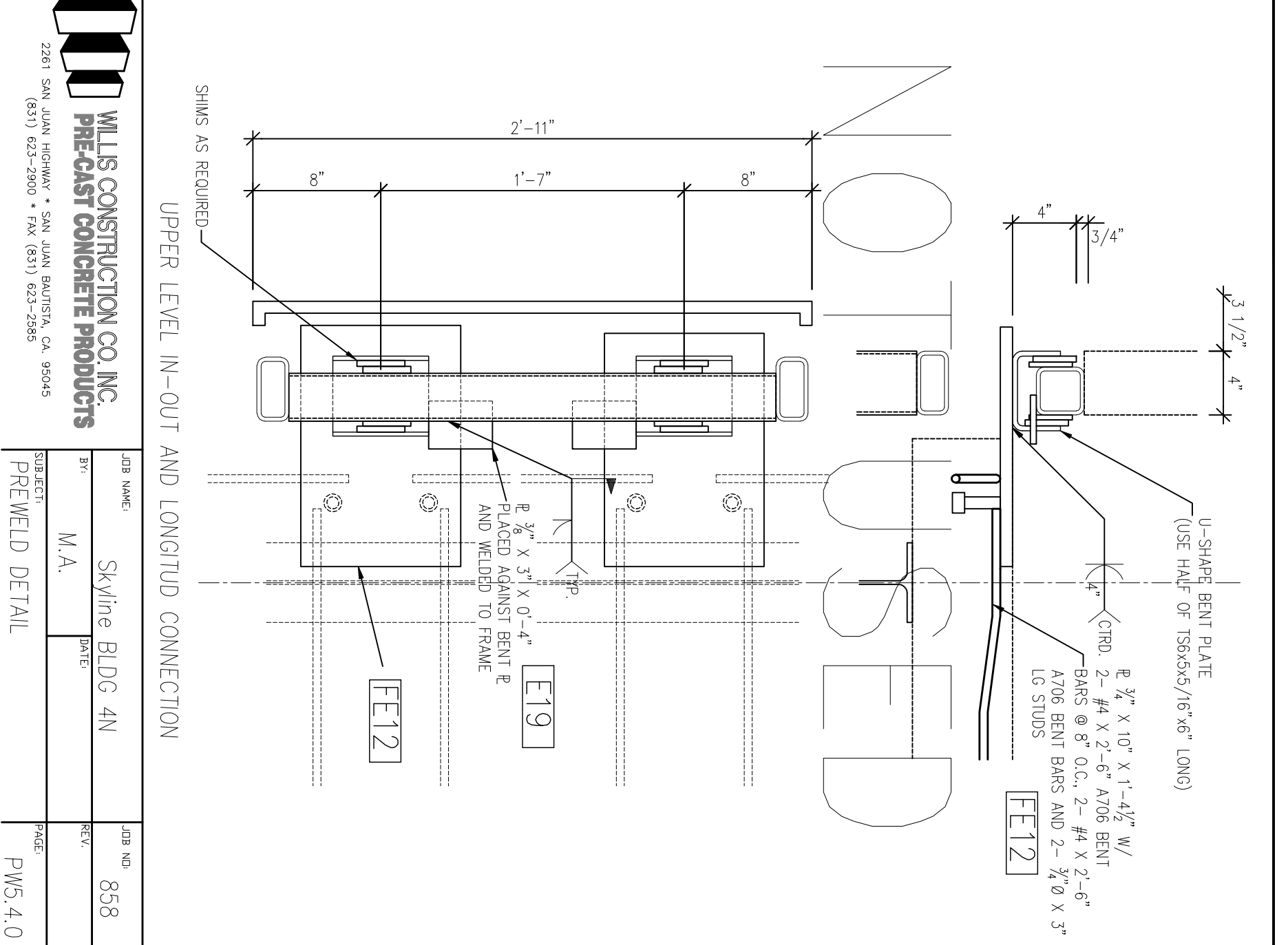
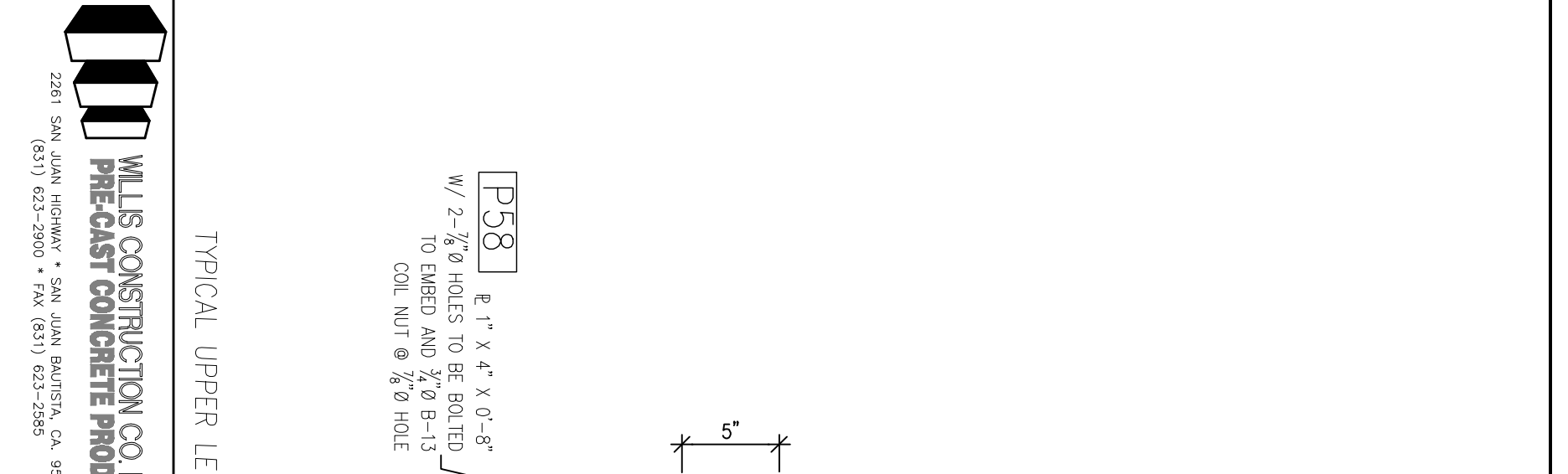
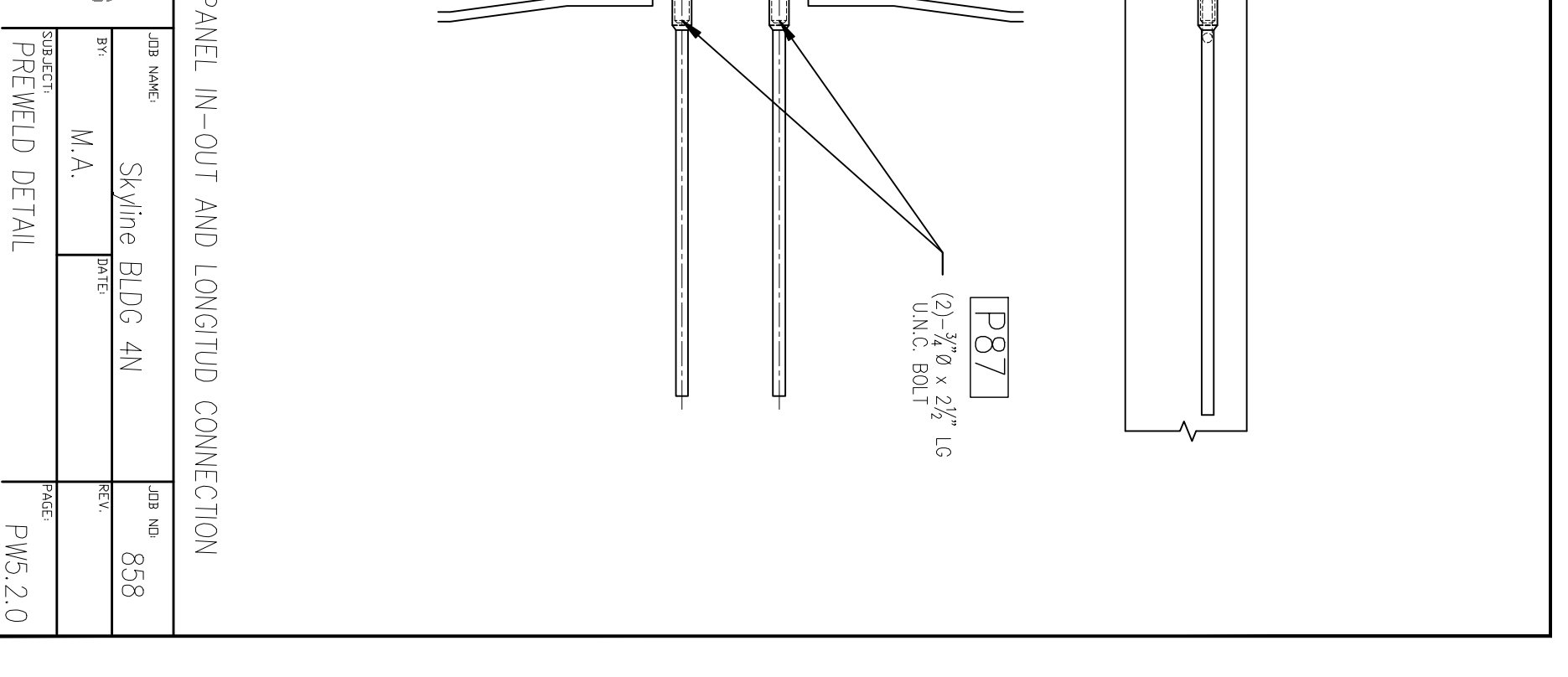
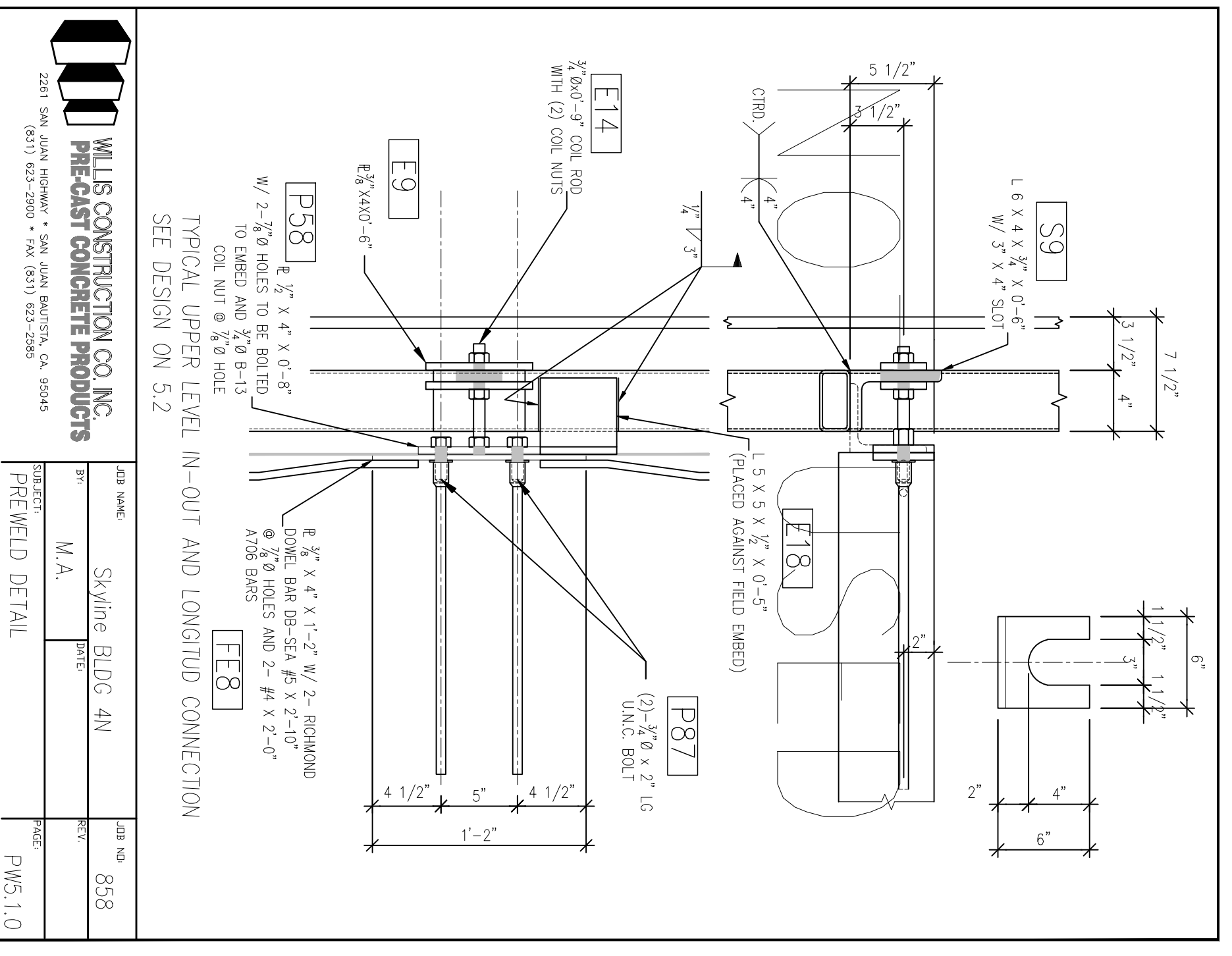


DIVISION OF THE
 STATE ARCHITECT
 APPL # 01-110117
 FILE # ARCH
 AG _____ RS _____
 SSS _____ DWG _____
 IDENTIFICATION
 STAMP

SKYLINE COLLEGE
 SAN JUAN COUNTY
 COMMUNITY COLLEGE
 CIP2 DESIGN-BUILD
 PROJECT BUILDING 4
 INCREMENT 2

PREWELD DETAILS
 AS BUILT DRAWINGS
 JANUARY 12, 2011

PC-944



All drawings and details are the property of Hensel Phelps Construction Co. Inc. and shall remain the property of Hensel Phelps Construction Co. Inc. No part of these drawings may be reproduced or transmitted in any form or by any means, electronic or mechanical, including photocopying, recording, or by any information storage and retrieval system, without the prior written permission of Hensel Phelps Construction Co. Inc.