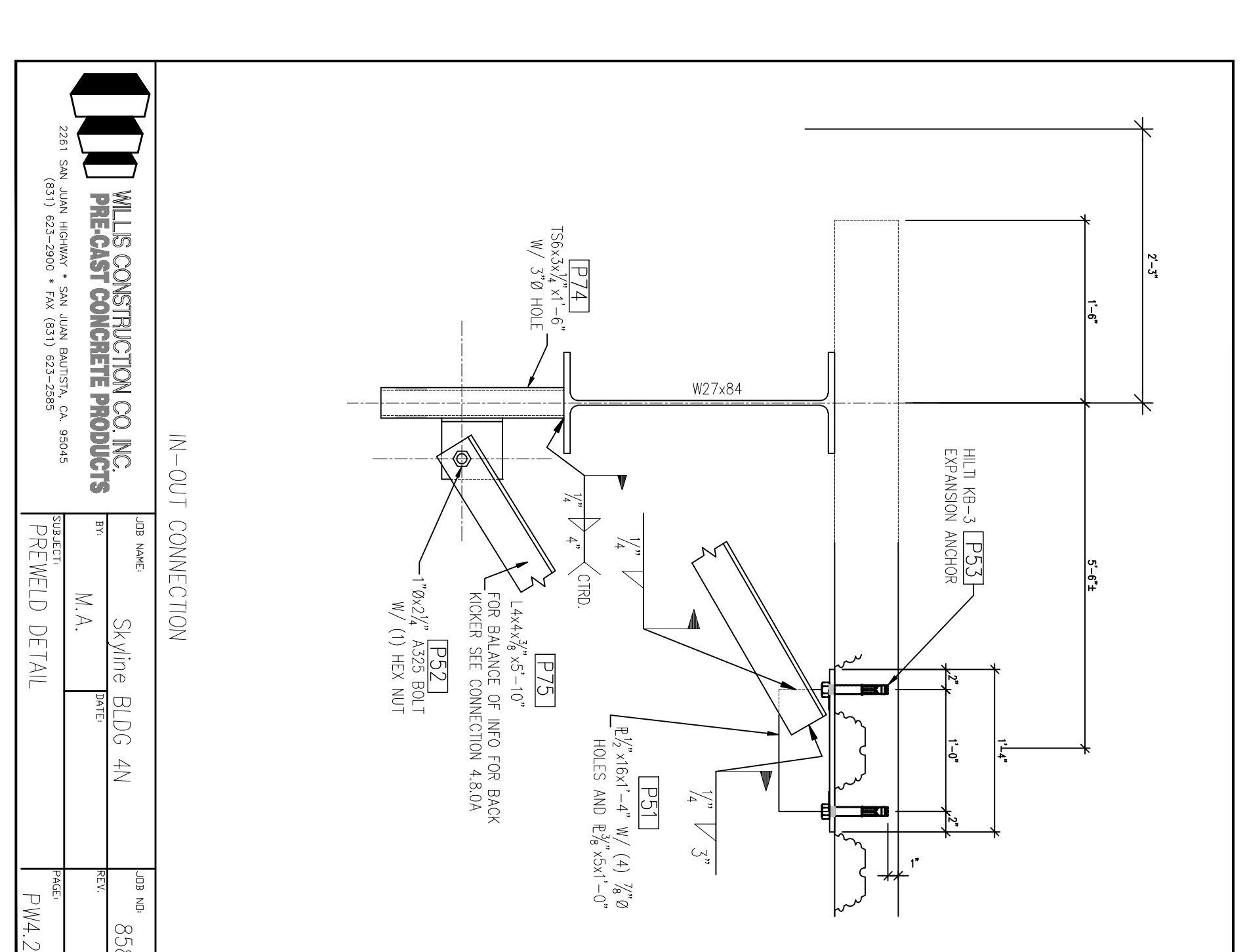
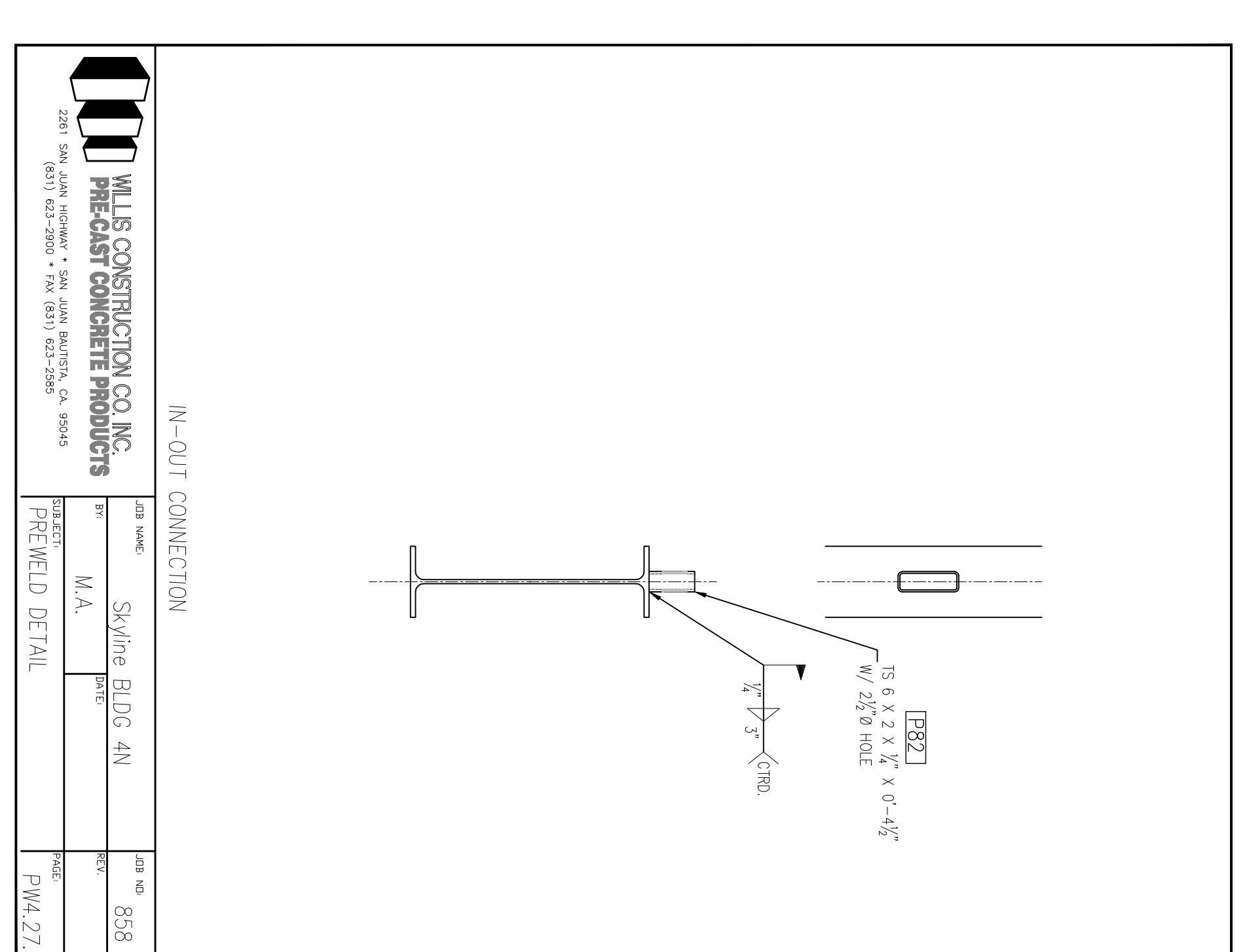
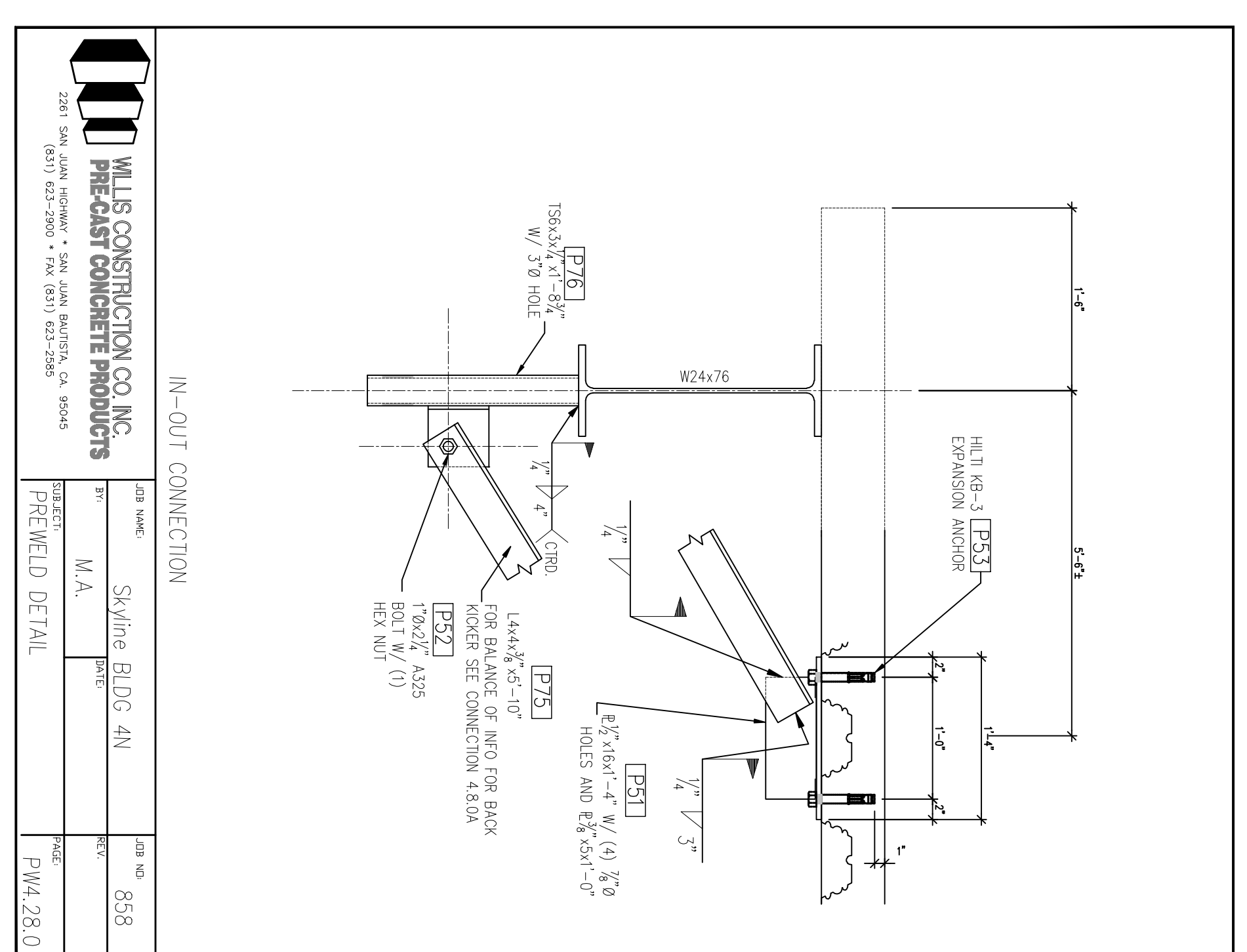
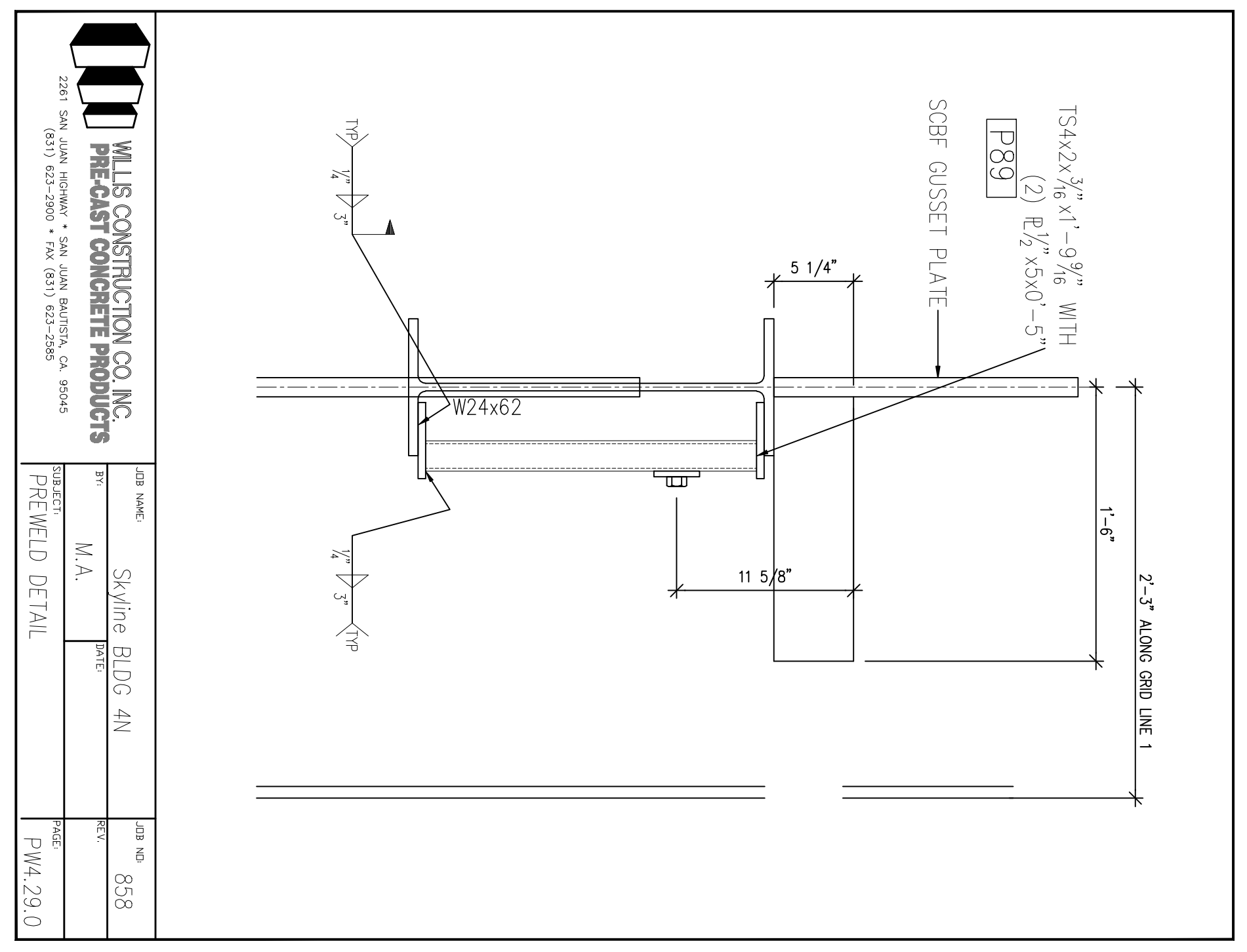


**WILLS CONSTRUCTION CO. INC.**  
 PRE-CAST CONCRETE PRODUCTS  
 2281 SAN JUAN AVENUE, SAN JUAN BAPTIST, CA 95045  
 TEL: (925) 423-2900 FAX: (925) 423-2948

NO.	REVISIONS	DATE
1	100% SCHEMATIC DESIGN SUBMITTAL	03/20/10
2	90% DESIGN DEVELOPMENT SUBMITTAL	07/29/10
3	100% DESIGN DEVELOPMENT SUBMITTAL	07/29/10
4	FINAL DESIGN DEVELOPMENT SUBMITTAL	07/29/10
5	FINAL DESIGN DEVELOPMENT SUBMITTAL	07/29/10
6	PER REVIEW	10/09/10
7	PER REVIEW	11/11/10
8	STRUCTURE & GRC PANELS	03/11/10
9	STRUCTURE & GRC PANELS	03/11/10
10	STRUCTURE & GRC PANELS	03/11/10
11	STRUCTURE & GRC PANELS	03/11/10



DIVISION OF THE  
 STATE ARCHITECT  
 APPL # 01-110117  
 FILE # ARCH  
 AG \_\_\_\_\_ RS \_\_\_\_\_  
 SSS \_\_\_\_\_ DME \_\_\_\_\_  
 IDENTIFICATION  
 STAMP

**SKYLINE COLLEGE**  
 SAN JUANITO COUNTY  
 COMMUNITY COLLEGE  
 DRG PROJ  
**CIP2 DESIGN-BUILD**  
**PROJECT**  
**BUILDING 4**  
**INCREMENT 2**

PROJECT NO. 0701200  
 DRAWN BY: JACO  
 DATE: 04/08/09  
 CHECKED BY:  
 SCALE: \_\_\_\_\_

**PREWELD**  
**DETAILS**

**AS BUILT DRAWINGS**  
**JANUARY 12, 2011**

PC-943

