

WILLS CONSTRUCTION CO. INC.
PRE-CAST CONCRETE PRODUCTS
 2281 SAN JUAN AVENUE, SAN JUAN BAUTISTA, CALIFORNIA
 TEL: (951) 423-2900 FAX: (951) 423-2948

NO.	REVISIONS	DATE
1	10% SCHEDULE DESIGN SUBMITTAL	02/28/09
2	30% DESIGN DEVELOPMENT SUBMITTAL	03/19/09
3	100% DESIGN DEVELOPMENT SUBMITTAL	03/26/09
4	100% DESIGN DEVELOPMENT SUBMITTAL	03/26/09
5	PER REVIEW #2	10/09/09
6	PER REVIEW #3	11/11/09
11	STRUCTURE & GRC PANELS SUBMITTAL	03/11/09



DIVISION OF THE
 STATE ARCHITECT
 APPL # 01-110117
 FILE # A-10-1
 AG _____ RS _____
 SSS _____ DNE _____
 IDENTIFICATION
 STAMP

SKYLINE COLLEGE
 SAN JUANITO COUNTY
 COMMUNITY COLLEGE
 DESIGN
CIP2 DESIGN-BUILD
PROJECT BUILDING 4
INCREMENT 2
 FORM NO.

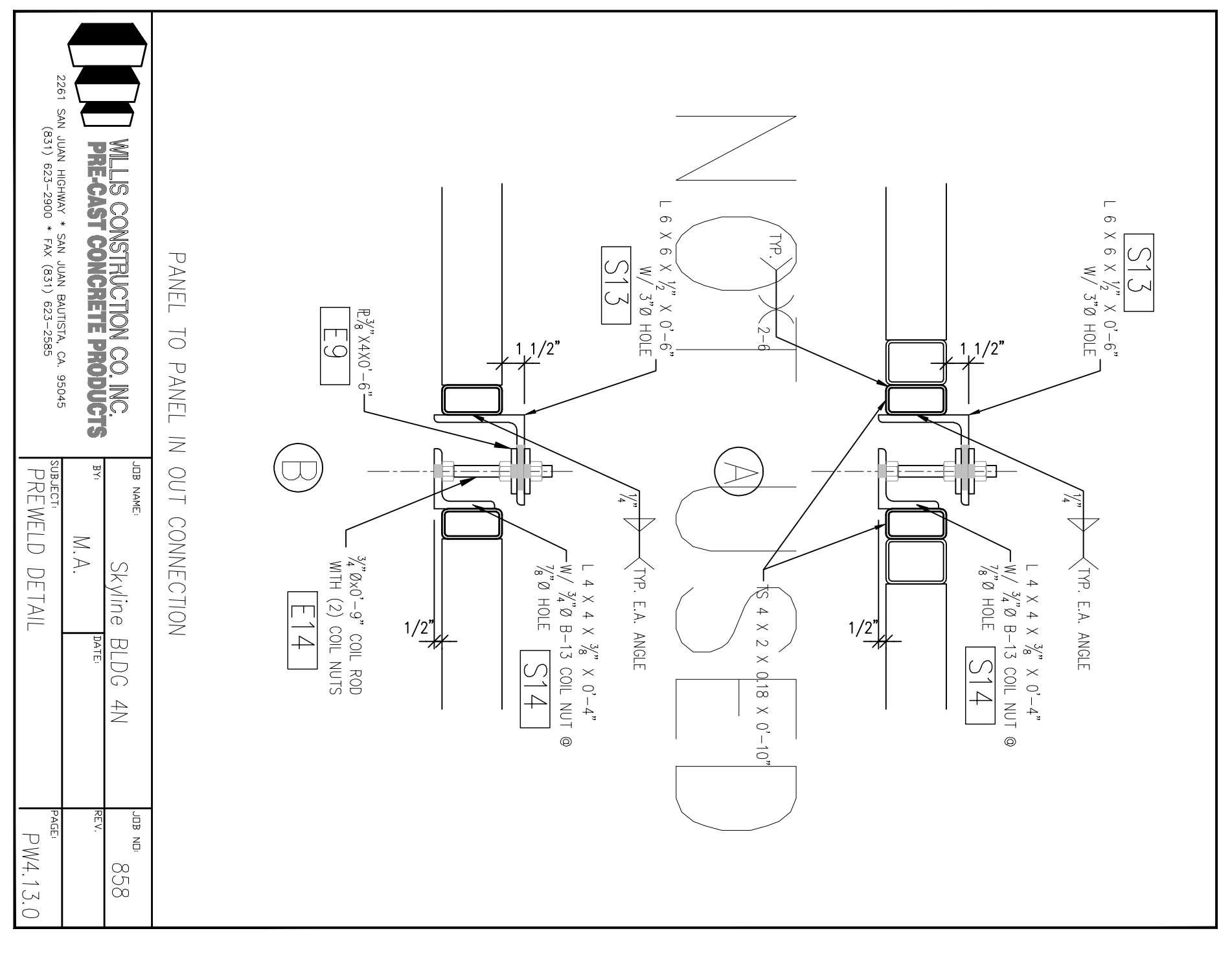
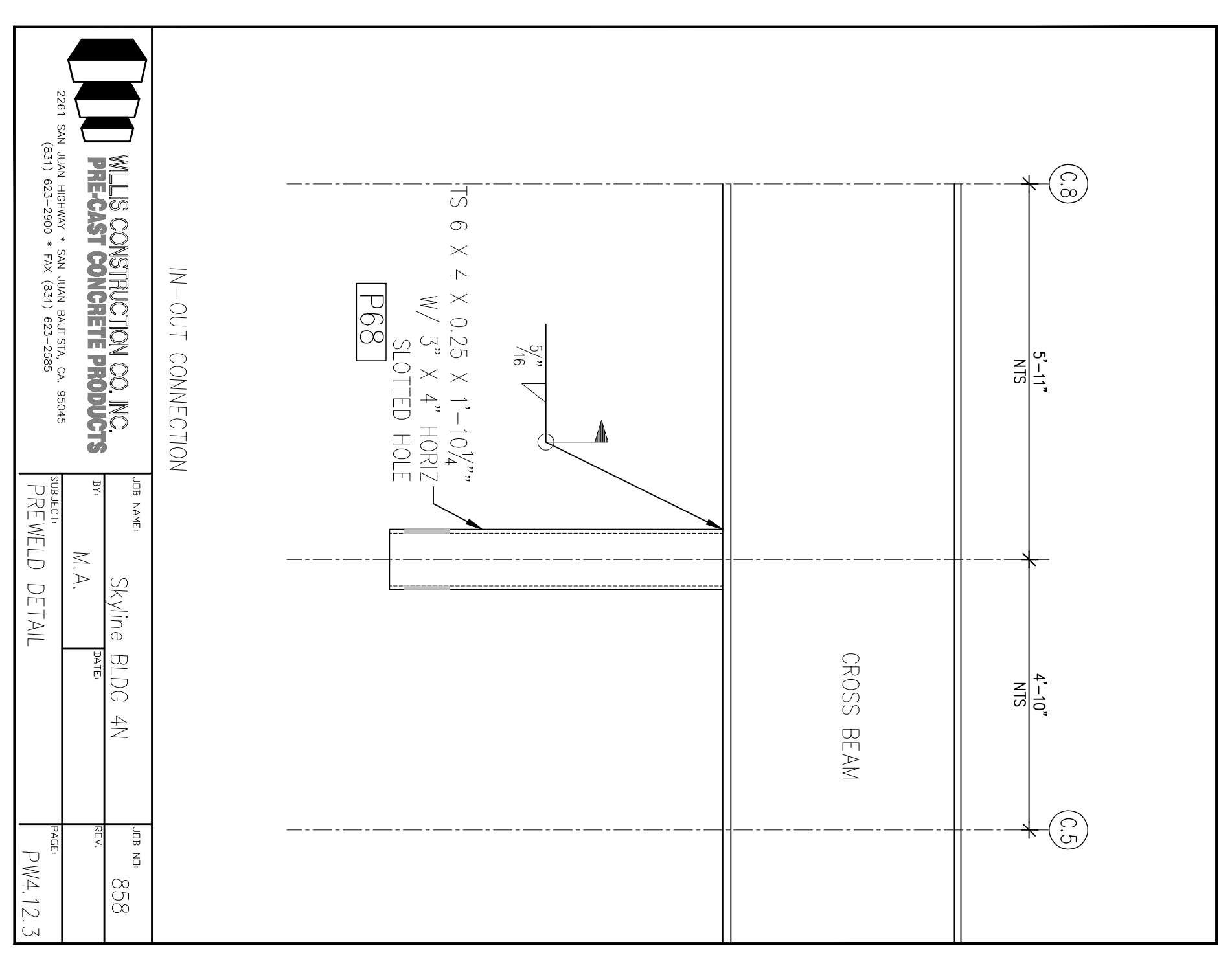
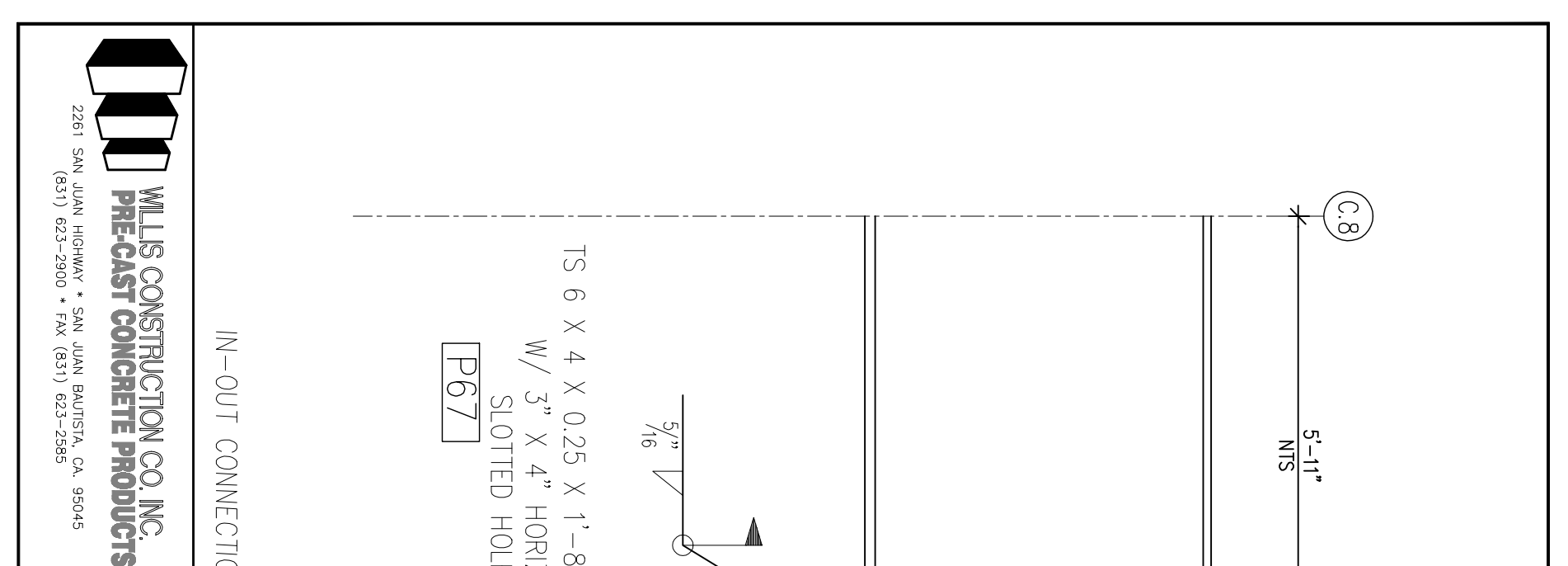
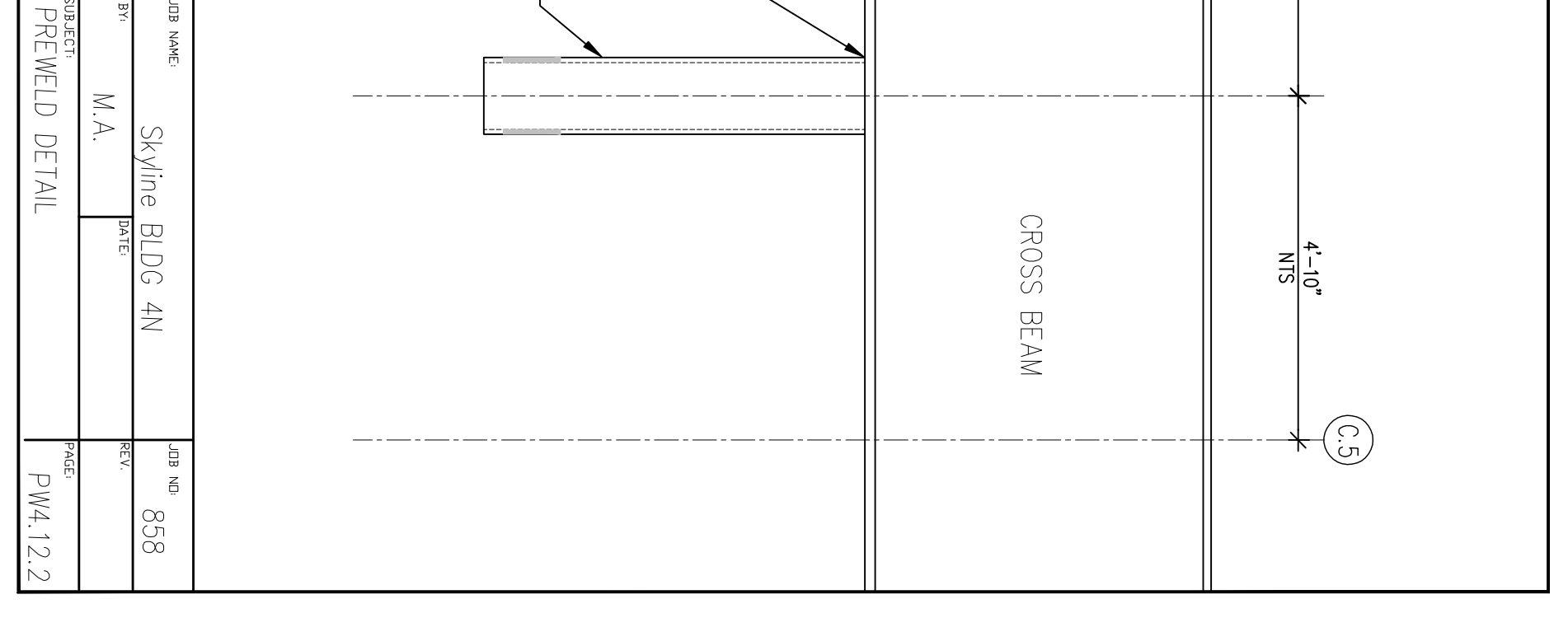
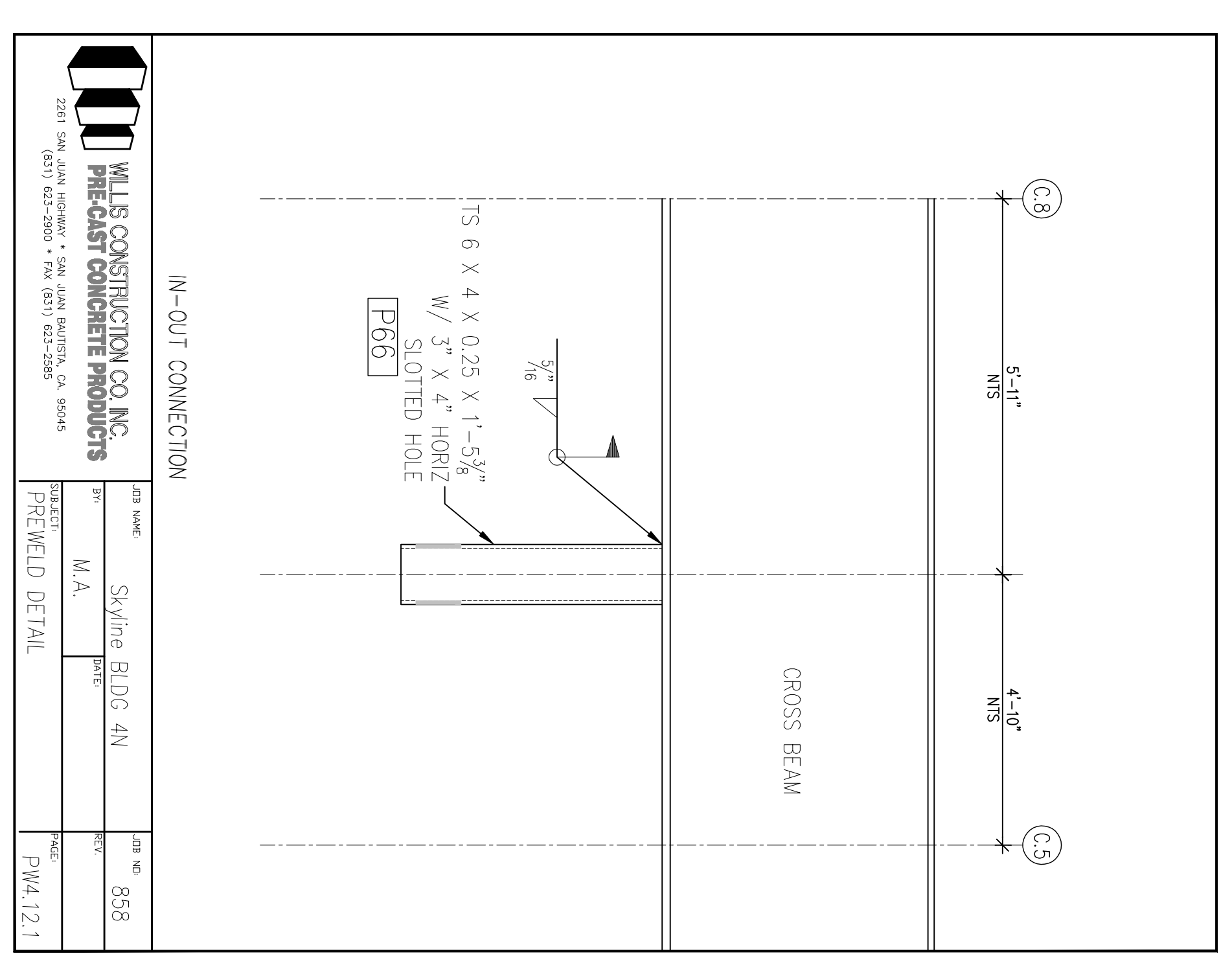
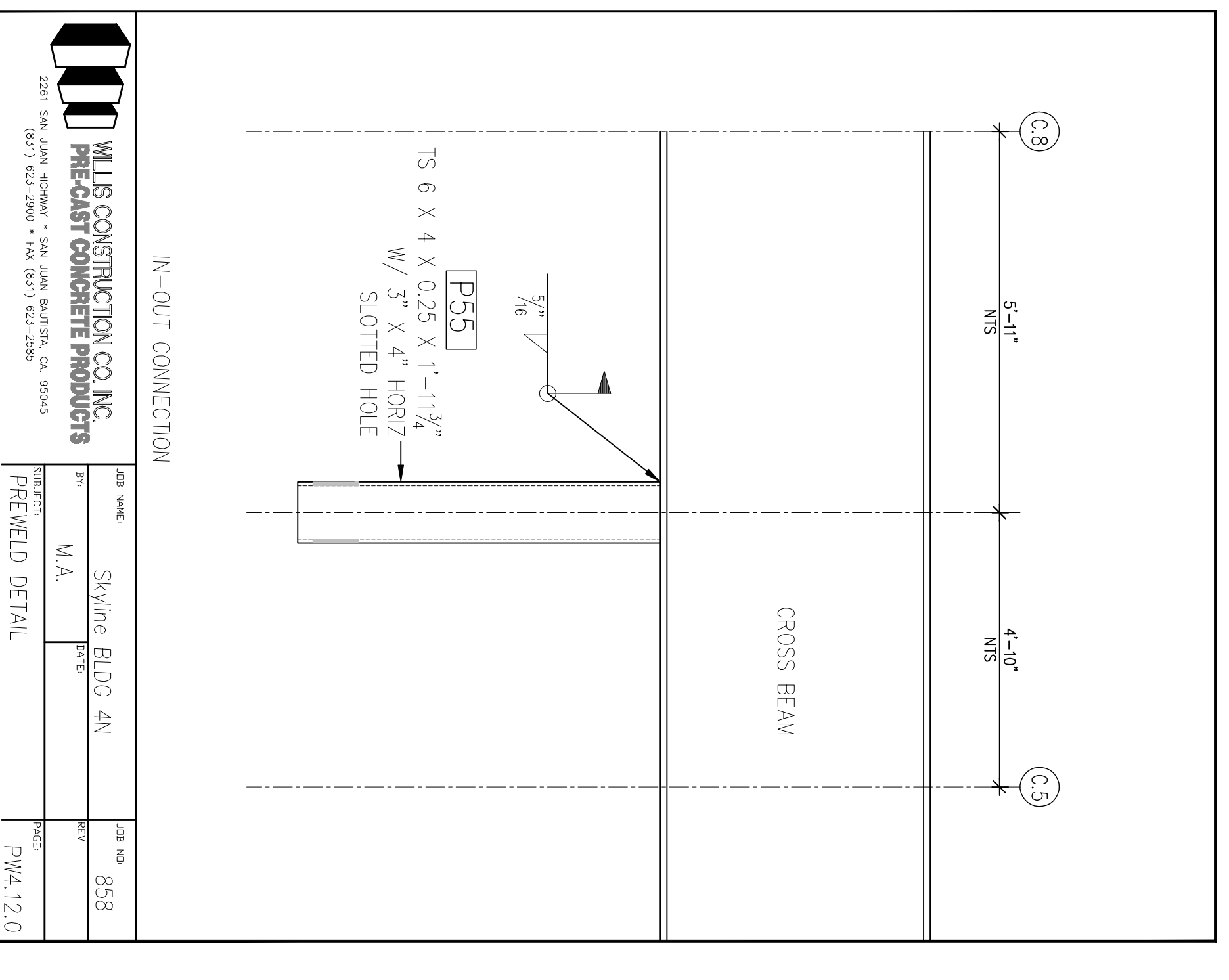
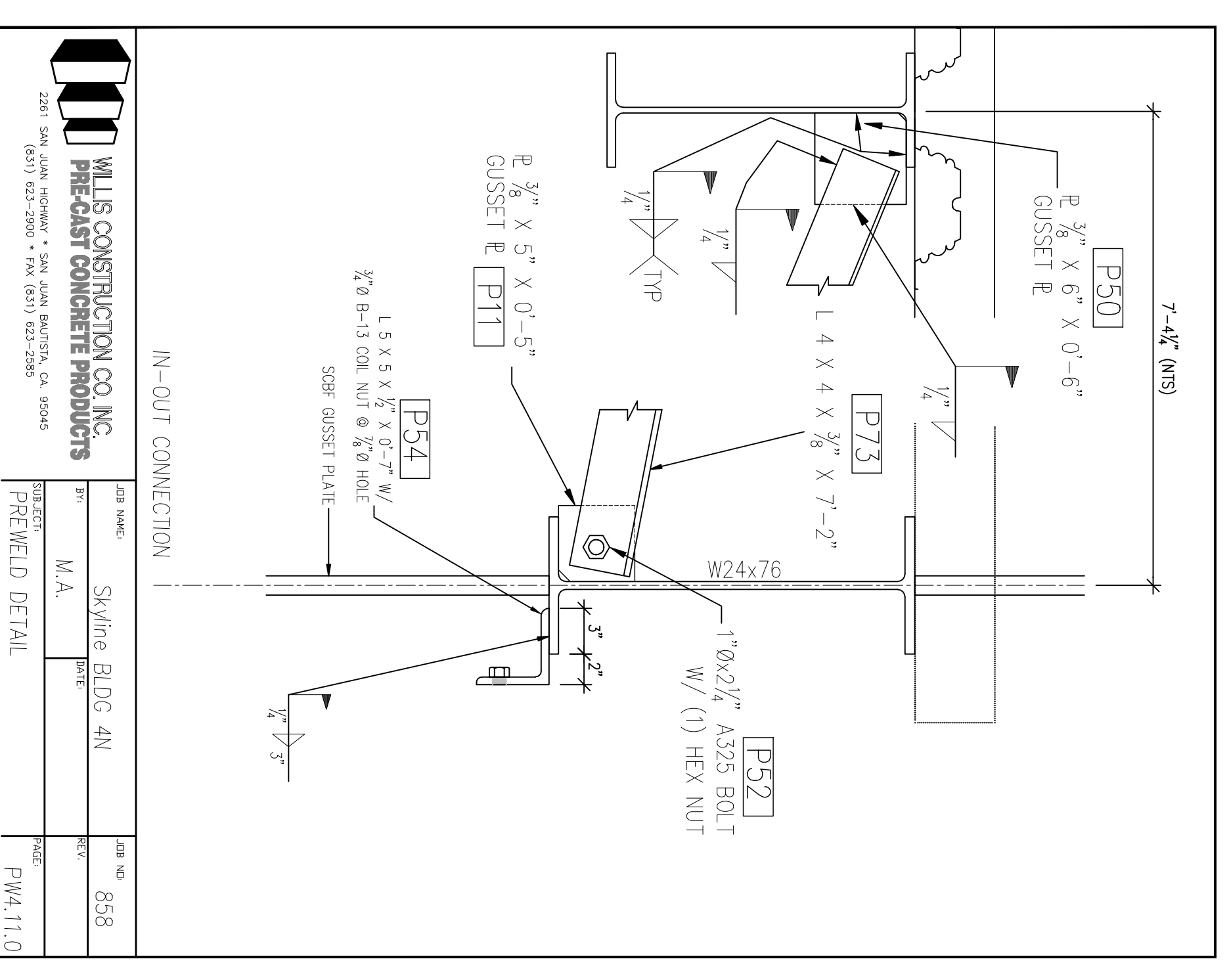
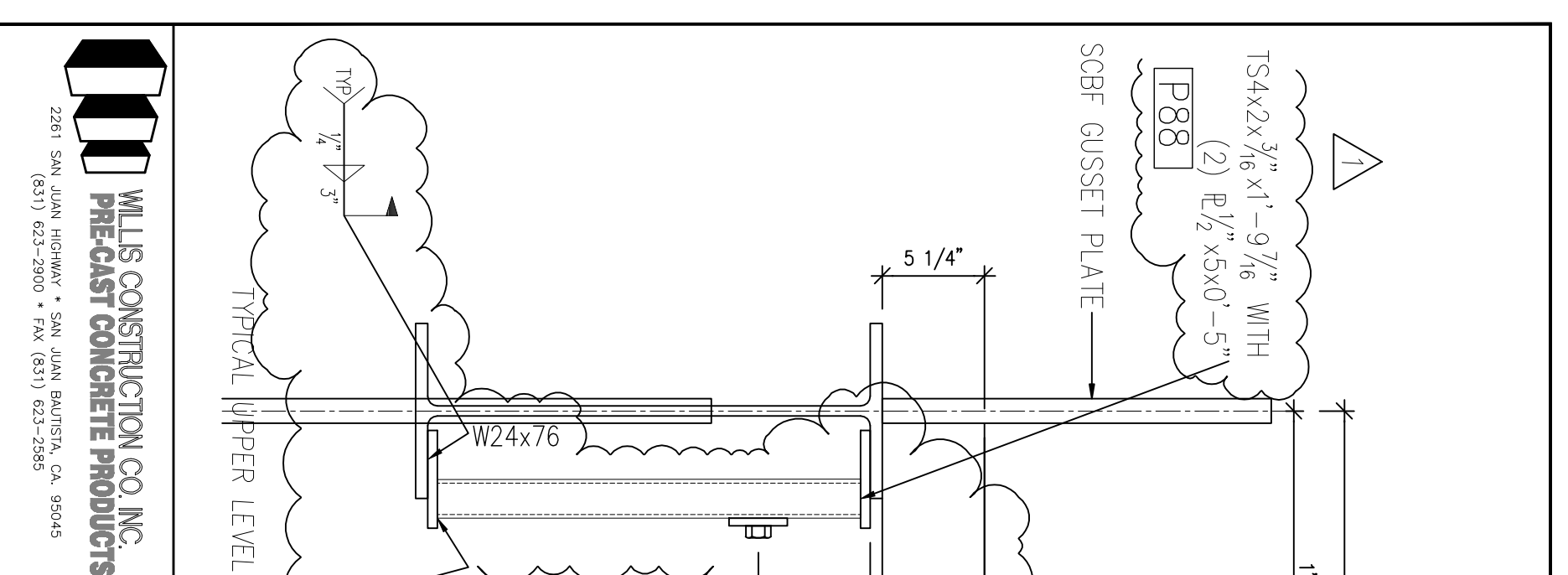
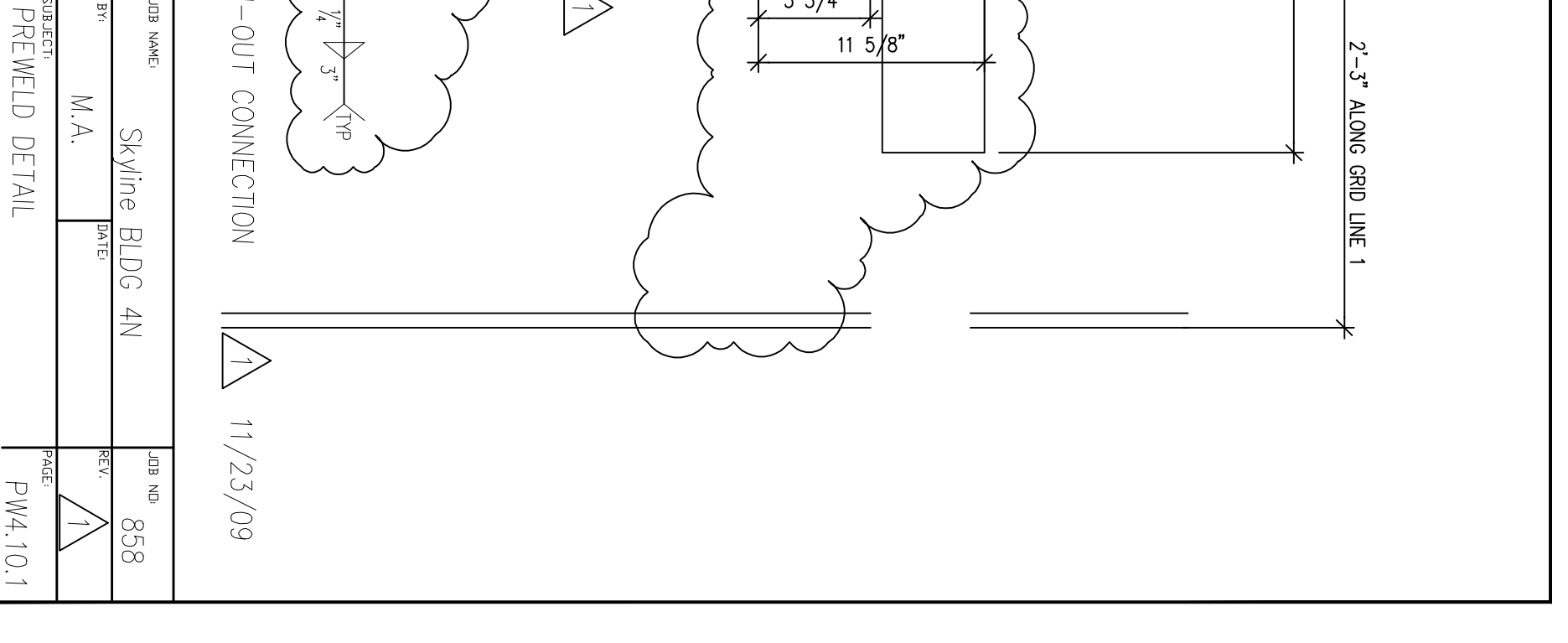
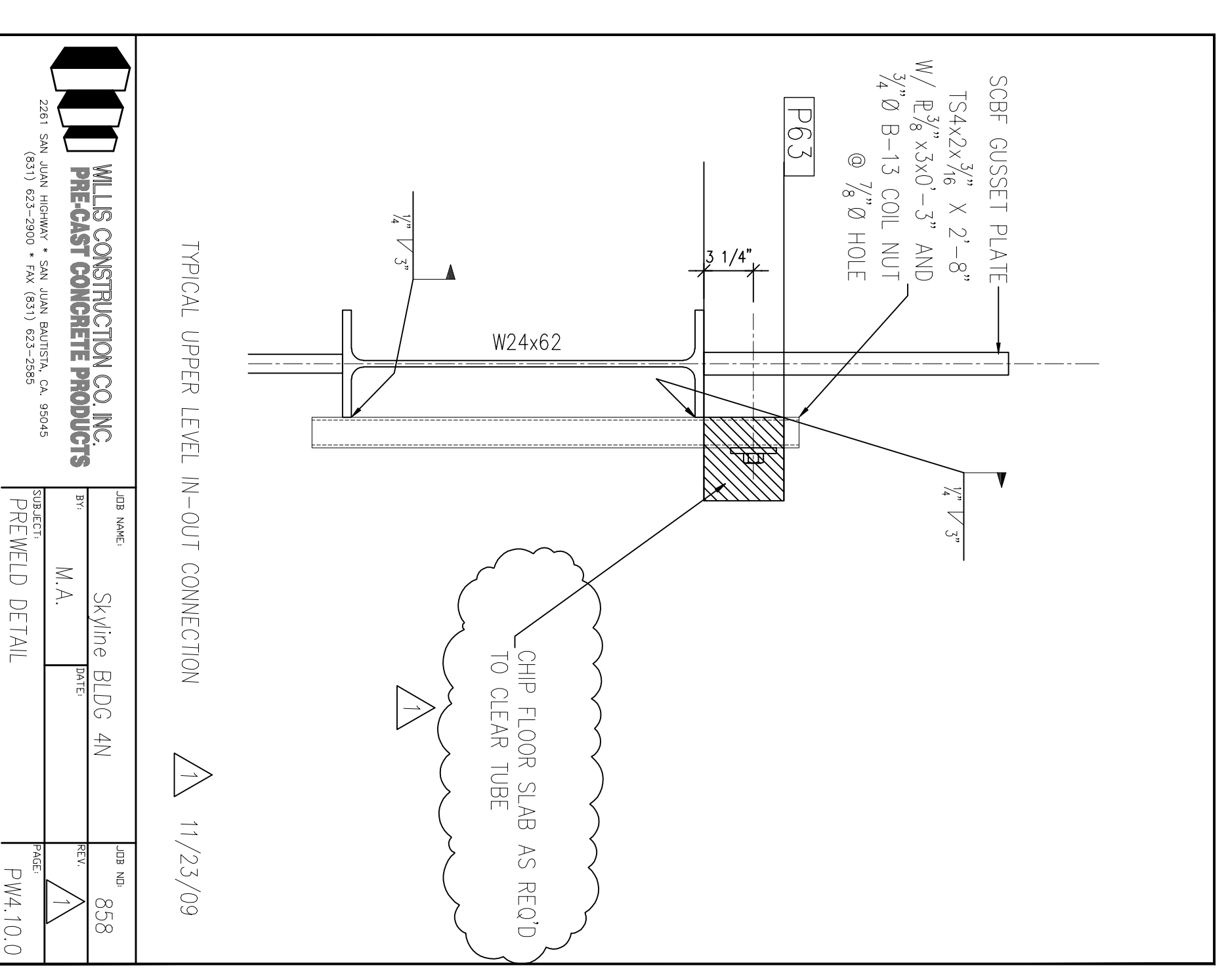
WILLS CONSTRUCTION CO. INC.
PRE-CAST CONCRETE PRODUCTS
 2281 SAN JUAN AVENUE, SAN JUAN BAUTISTA, CALIFORNIA
 TEL: (951) 423-2900 FAX: (951) 423-2948

JOB NAME	PROJECT	DATE	JOB NO.
Skyline BLDG 4N	M.A.		858
PREWELD DETAIL			PWA.121

PREWELD DETAILS

AS BUILT DRAWINGS
 JANUARY 12, 2011

PC-940



All drawings and details are the property of Wills Construction Co. Inc. and shall remain the property of Wills Construction Co. Inc. No part of these drawings shall be reproduced or transmitted in any form or by any means, electronic, mechanical, photocopying, recording, or by any information storage and retrieval system, without the prior written permission of Wills Construction Co. Inc.

This drawing is not to scale. The details shall be as shown on the original size. No part of these drawings shall be reproduced or transmitted in any form or by any means, electronic, mechanical, photocopying, recording, or by any information storage and retrieval system, without the prior written permission of Wills Construction Co. Inc.