

WILLS CONSTRUCTION CO. INC. 2281 SAN JUAN AVENUE, SAN JUAN BAUTISTA, CALIFORNIA 95045 (951) 623-2900 FAX (951) 623-2908		
NO.	REVISIONS	DATE
1	10% Schematic Design SUBMITTAL	03/20/09
2	30% DESIGN DEVELOPMENT SUBMITTAL	03/20/09
3	100% DESIGN DEVELOPMENT SUBMITTAL	03/20/09
4	PERMITS	03/20/09
5	PERMITS	10/09/09
6	PERMITS	11/11/09
7	PERMITS	03/11/09
8	PERMITS	03/11/09
9	PERMITS	03/11/09
10	PERMITS	03/11/09
11	PERMITS	03/11/09



DIVISION OF THE
 STATE ARCHITECT
 APPL # 01-110117
 FILE # ARCH
 AG _____ RS _____
 SSS _____ DNE _____
 IDENTIFICATION
 STAMP

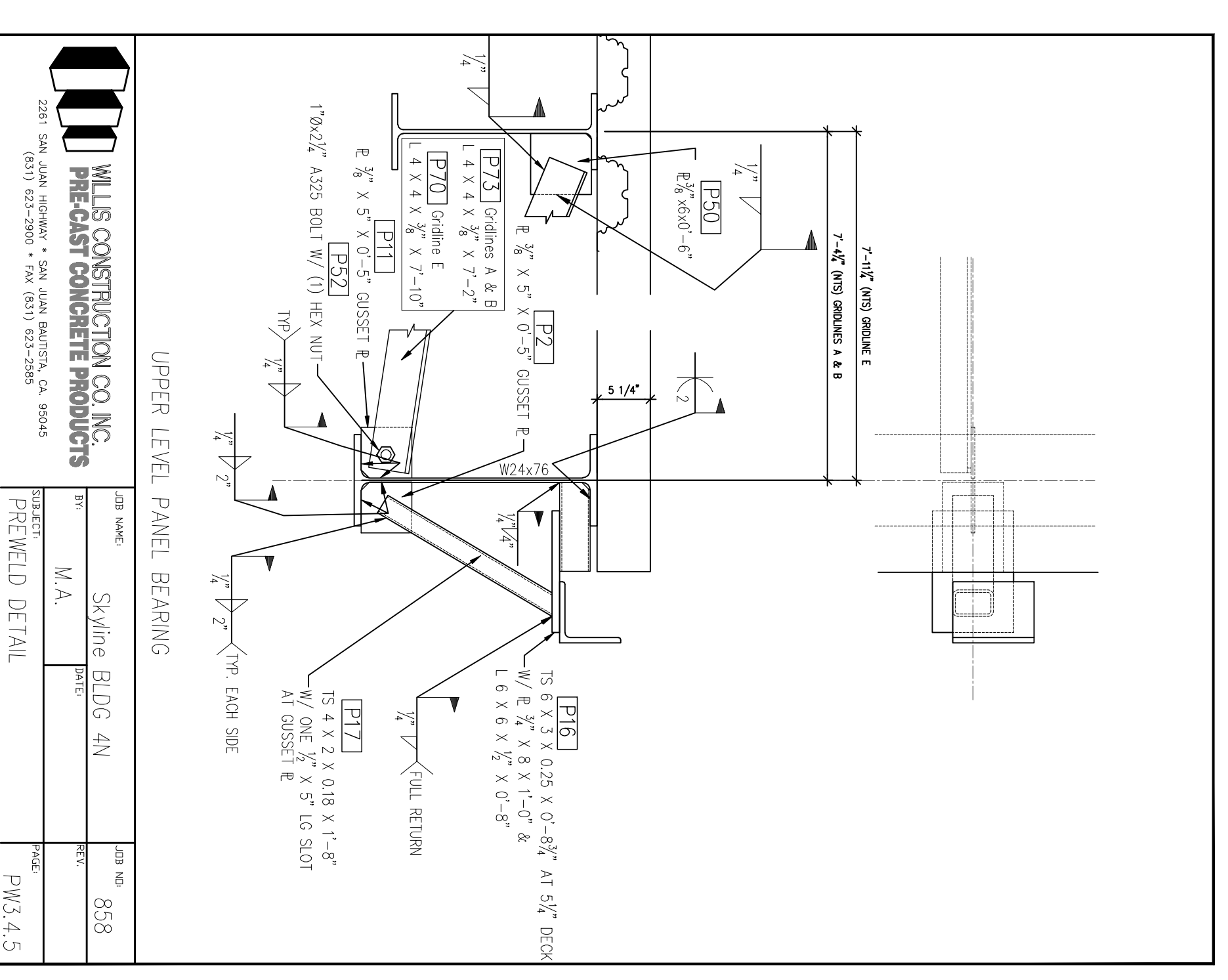
SKYLINE COLLEGE
 SAN JUAN COUNTY
 COMMUNITY COLLEGE
 DESIGN
CIP2 DESIGN-BUILD
PROJECT BUILDING 4
INCREMENT 2

DATE: 04/09/09
 DRAWN BY: JACO
 CHECKED BY:
 SCALE: _____

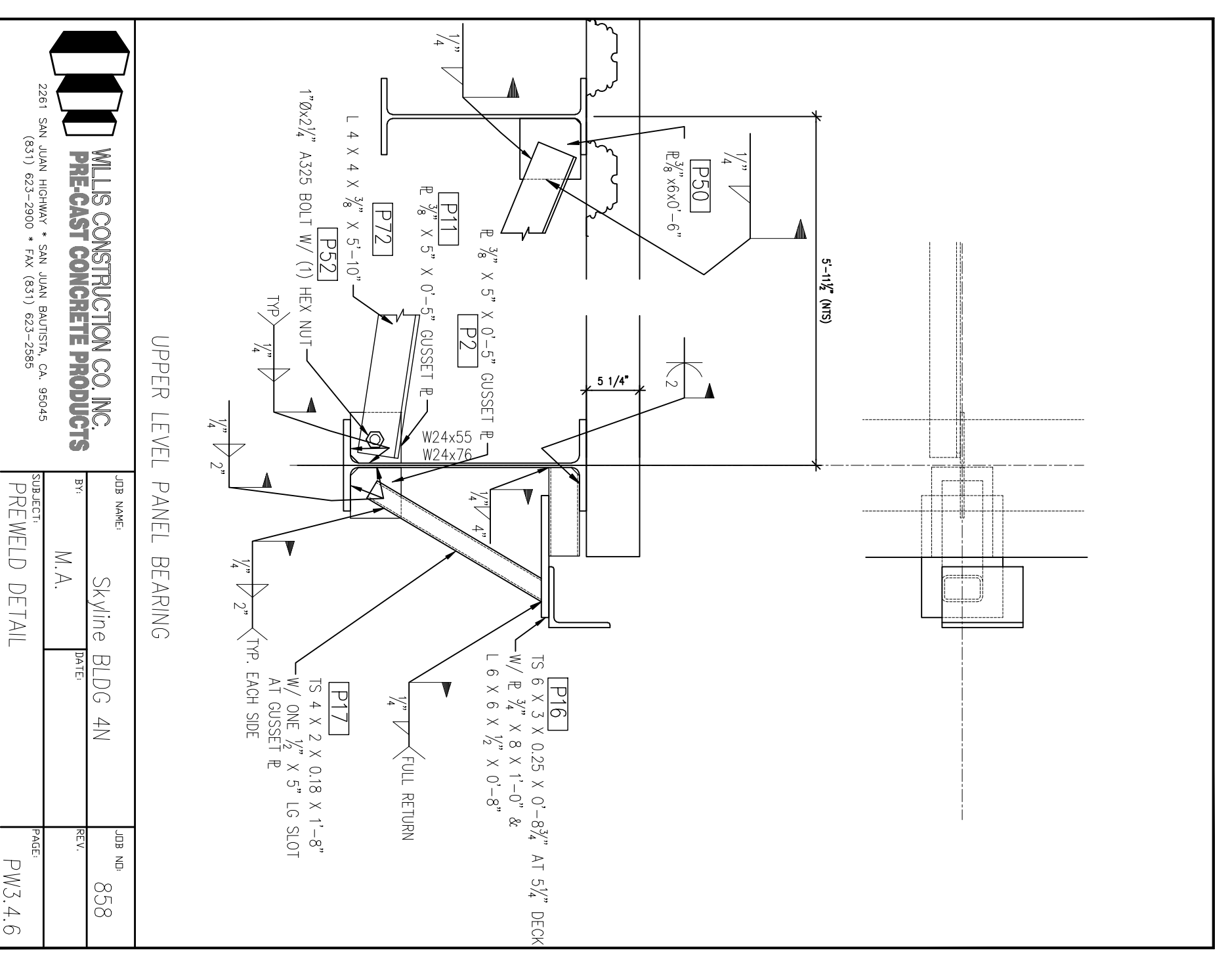
PREWELD DETAILS

AS BUILT DRAWINGS
 JANUARY 12, 2011

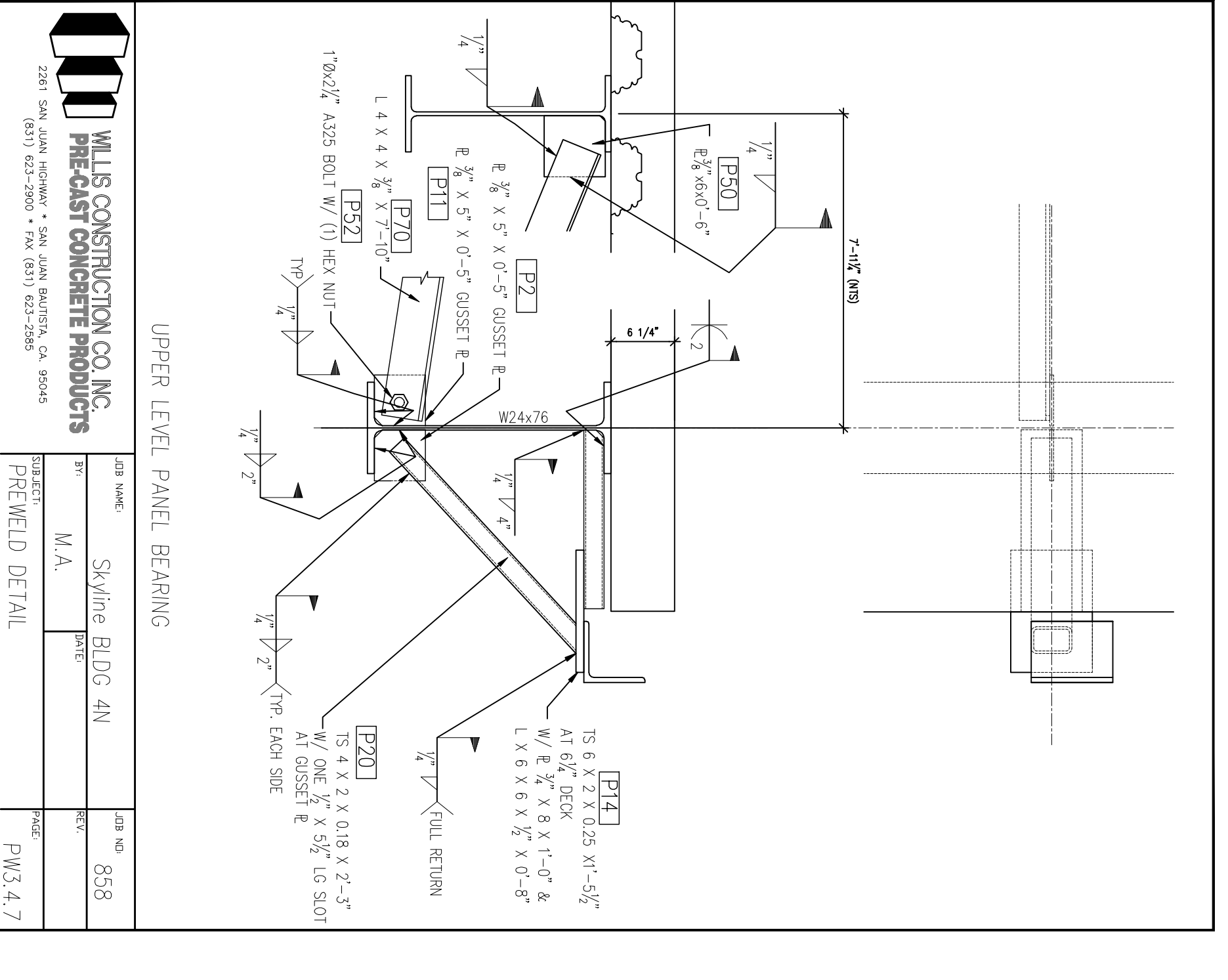
PC-934



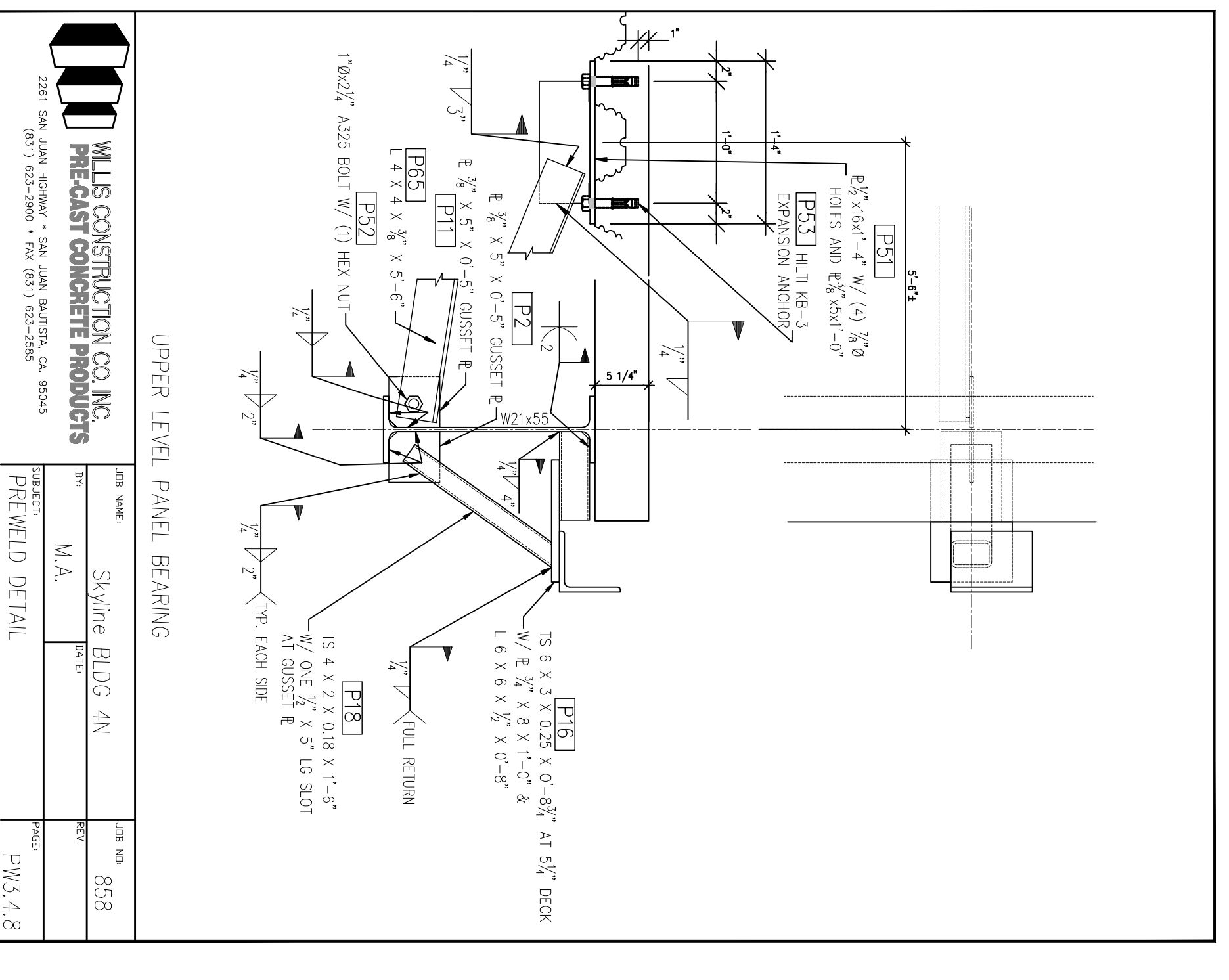
UPPER LEVEL PANEL BEARING
 JOB NO: 858
 PROJECT: Skyline Bldg. 4N
 DRAWN BY: M.A.
 CHECKED BY:
 SCALE: PW3.4.5



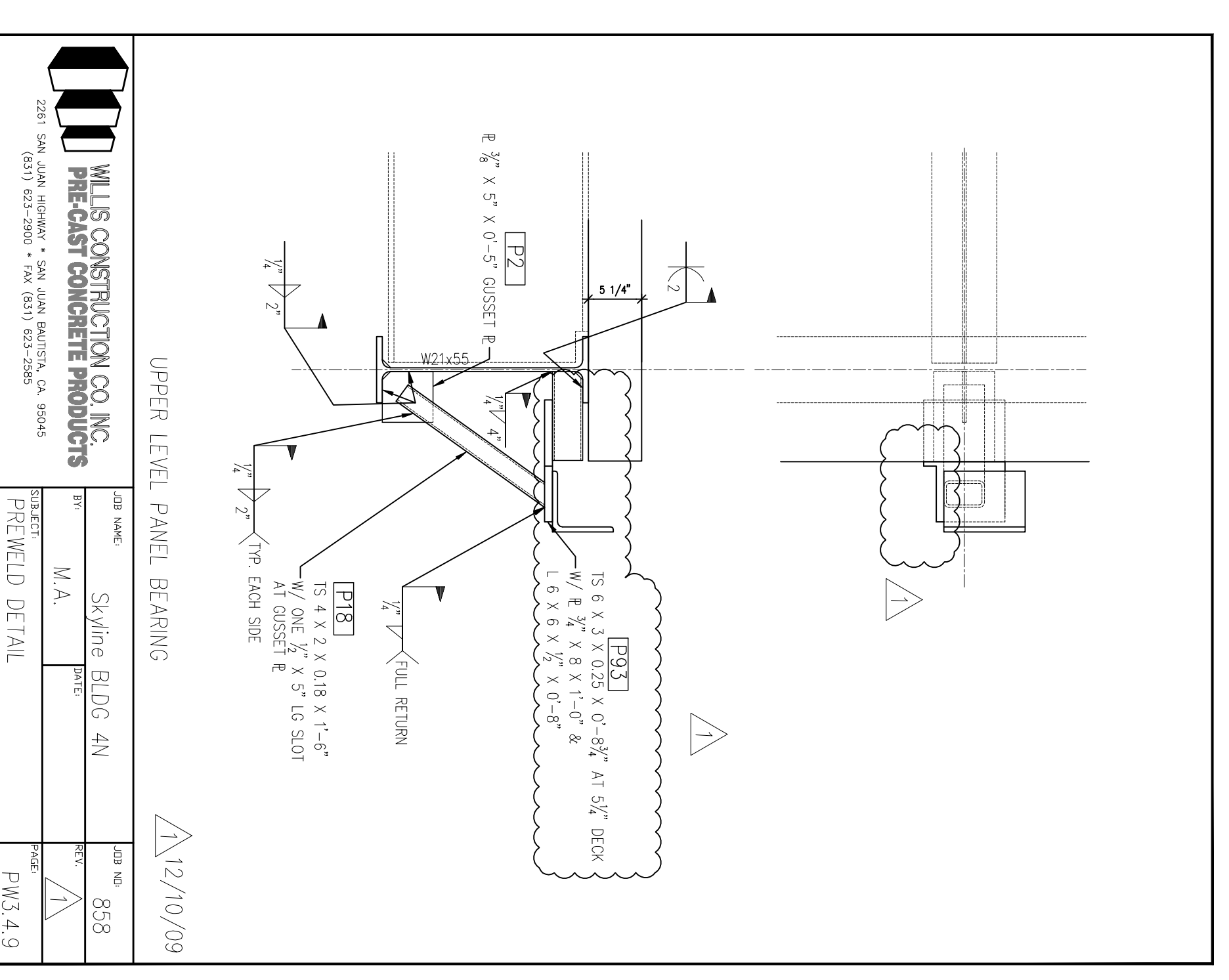
UPPER LEVEL PANEL BEARING
 JOB NO: 858
 PROJECT: Skyline Bldg. 4N
 DRAWN BY: M.A.
 CHECKED BY:
 SCALE: PW3.4.6



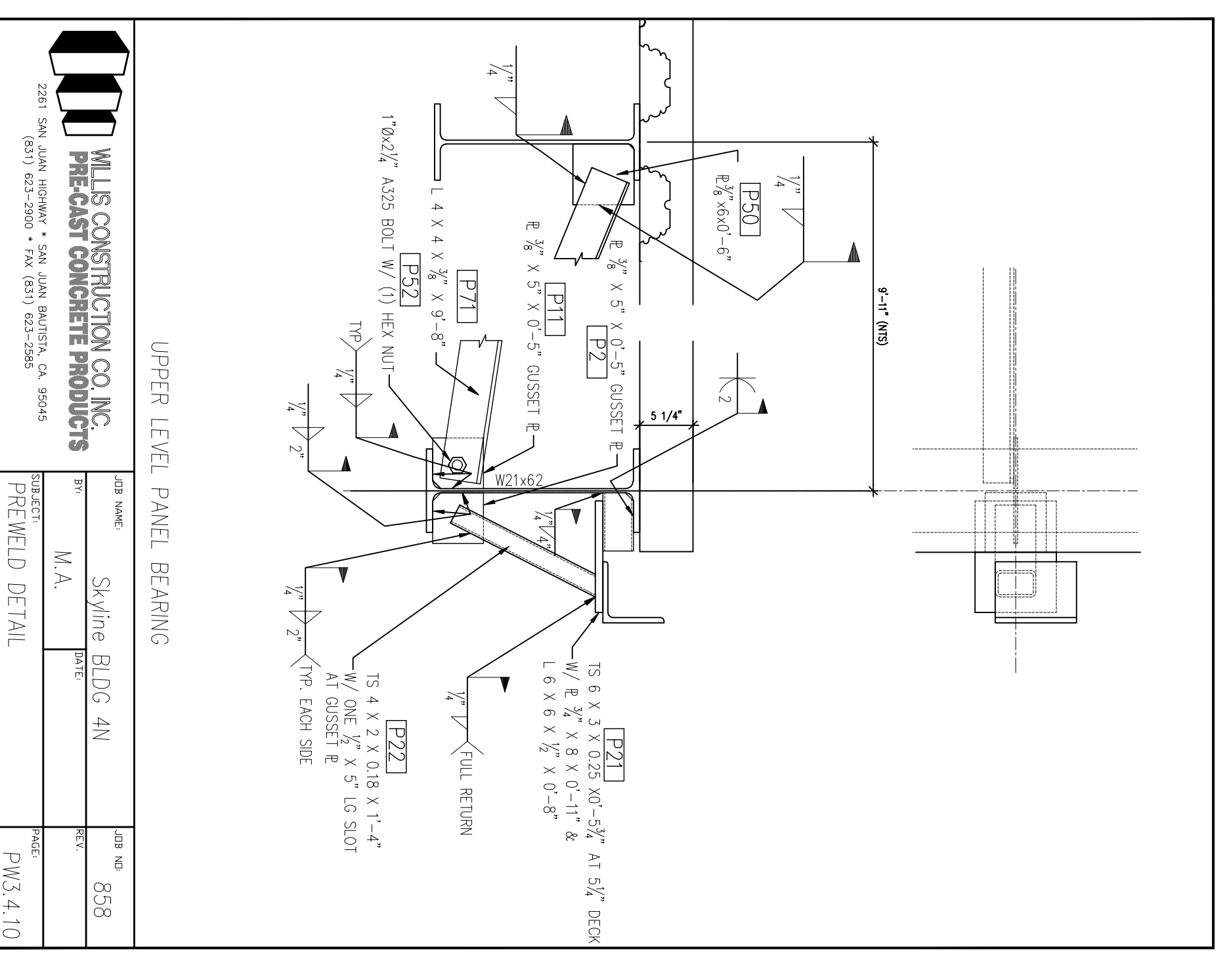
UPPER LEVEL PANEL BEARING
 JOB NO: 858
 PROJECT: Skyline Bldg. 4N
 DRAWN BY: M.A.
 CHECKED BY:
 SCALE: PW3.4.7



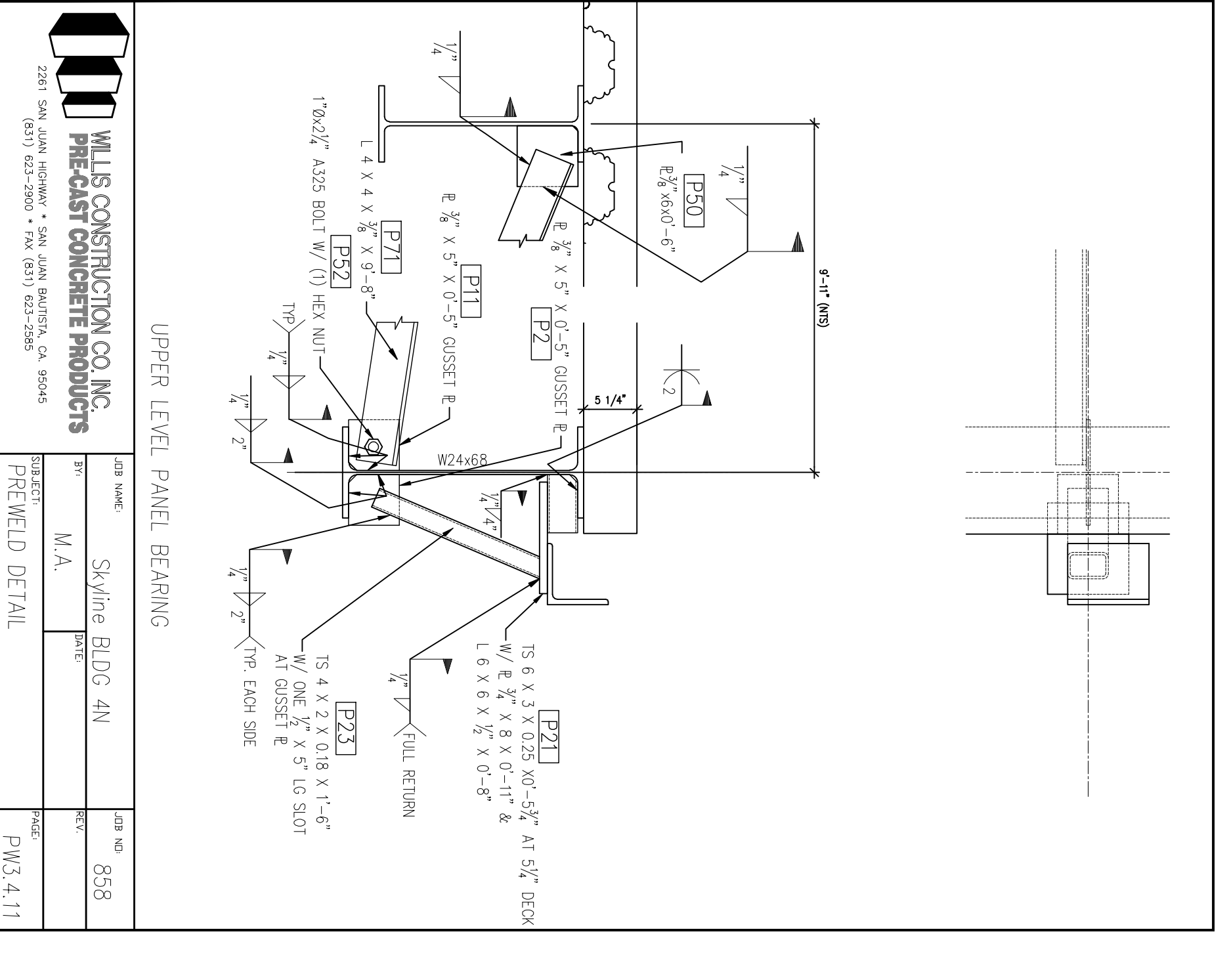
UPPER LEVEL PANEL BEARING
 JOB NO: 858
 PROJECT: Skyline Bldg. 4N
 DRAWN BY: M.A.
 CHECKED BY:
 SCALE: PW3.4.8



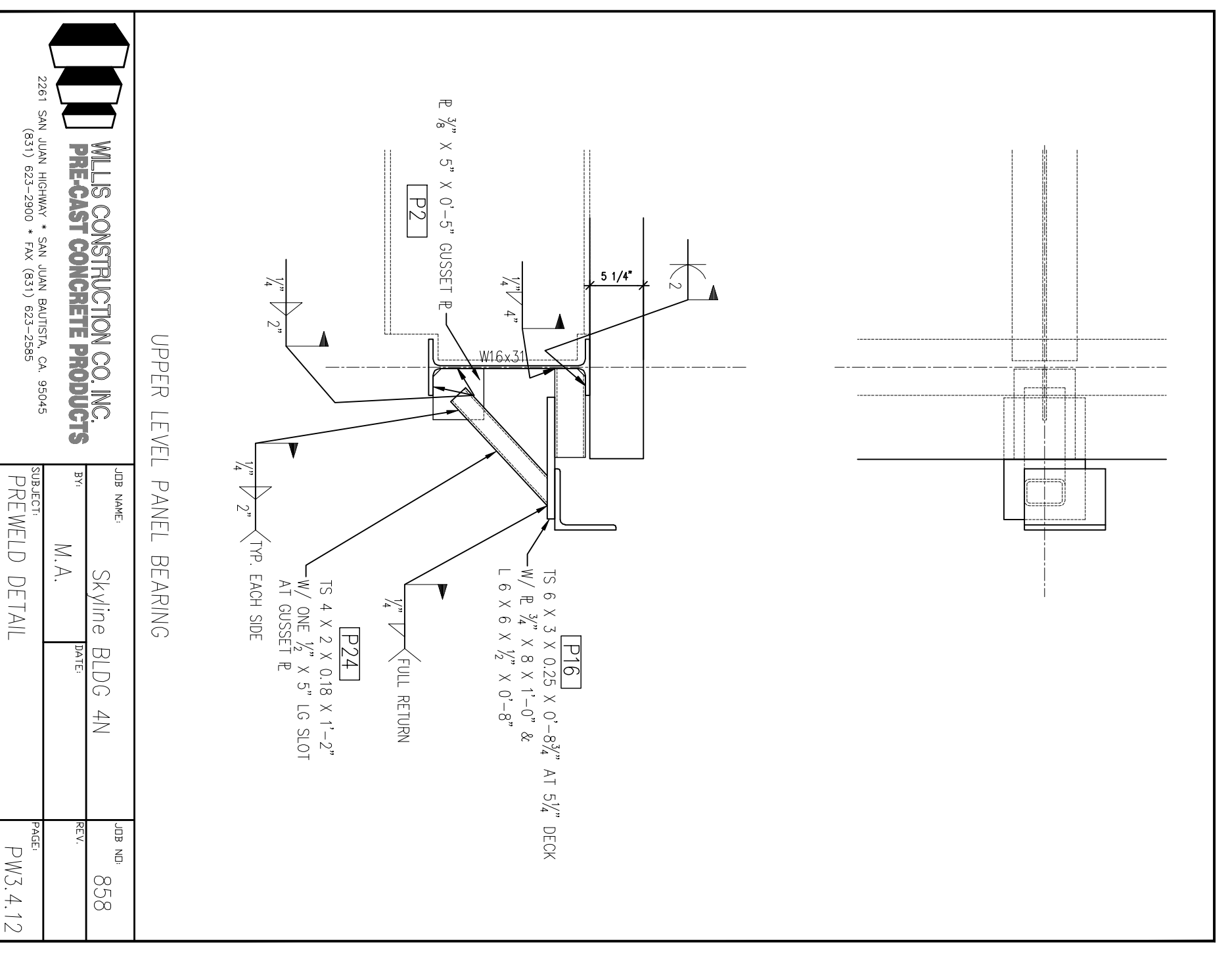
UPPER LEVEL PANEL BEARING
 JOB NO: 858
 PROJECT: Skyline Bldg. 4N
 DRAWN BY: M.A.
 CHECKED BY:
 SCALE: PW3.4.9



UPPER LEVEL PANEL BEARING
 JOB NO: 858
 PROJECT: Skyline Bldg. 4N
 DRAWN BY: M.A.
 CHECKED BY:
 SCALE: PW3.4.10



UPPER LEVEL PANEL BEARING
 JOB NO: 858
 PROJECT: Skyline Bldg. 4N
 DRAWN BY: M.A.
 CHECKED BY:
 SCALE: PW3.4.11



UPPER LEVEL PANEL BEARING
 JOB NO: 858
 PROJECT: Skyline Bldg. 4N
 DRAWN BY: M.A.
 CHECKED BY:
 SCALE: PW3.4.12

All drawings and details are the property of Steinberg Architects and shall remain their property. No part of these drawings may be reproduced or transmitted in any form or by any means, electronic, mechanical, photocopying, recording, or by any information storage and retrieval system, without the prior written permission of Steinberg Architects.

This drawing is not to be used for any other project without the prior written permission of Steinberg Architects. The use of this drawing for any other project is strictly prohibited.