

NO.	REVISION/DESCRIPTION	DATE
1	100% SCHEMATIC DESIGN SUBMITTAL	03/20/08
2	90% DESIGN DEVELOPMENT SUBMITTAL	03/27/08
3	100% DESIGN DEVELOPMENT SUBMITTAL	03/28/08
4	PERMITS	03/28/08
5	REVISION #1	10/10/08
6	REVISION #2	11/11/08
7	REVISION #3	11/11/08
8	REVISION #4	03/11/09
9	REVISION #5	03/11/09
10	REVISION #6	03/11/09
11	REVISION #7	03/11/09
12	REVISION #8	03/11/09



DIVISION OF THE
STATE ARCHITECT
APPL # 01-110117
FILE # ADCL
AG _____ RS _____
SSS _____ DNE _____
IDENTIFICATION
STAMP

SKYLINE COLLEGE
SAN JUANITO COUNTY
COMMUNITY COLLEGE
DESIGNED BY
CIP2 DESIGN-BUILD
PROJECT BUILDING 4
INCREMENT 2

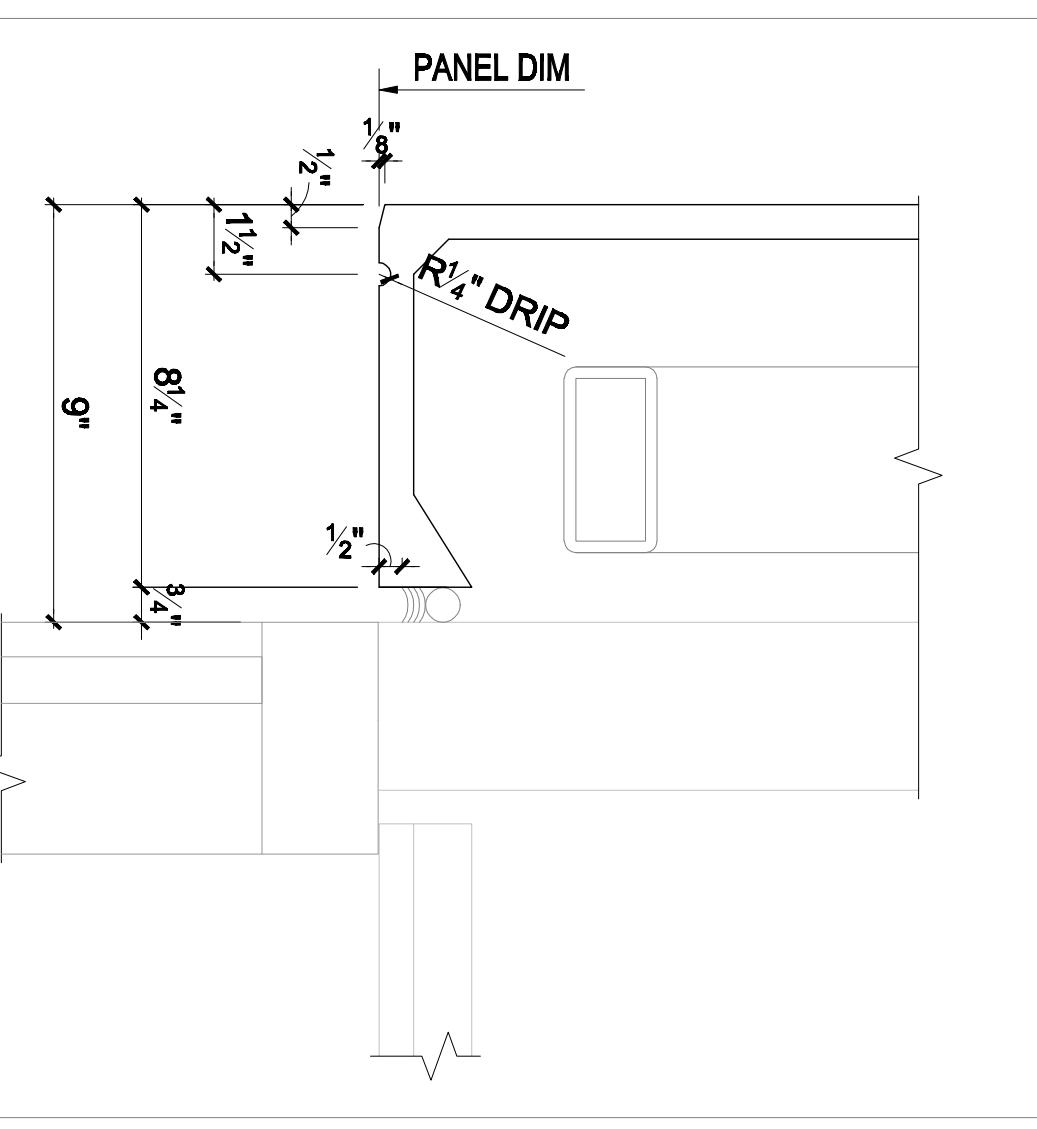
1/8" = 1'-0"

PROJECT NO. 0701200 DRAWN BY: JUCDO
DATE: 04/28/08 CHECKED BY:
SCALE: _____

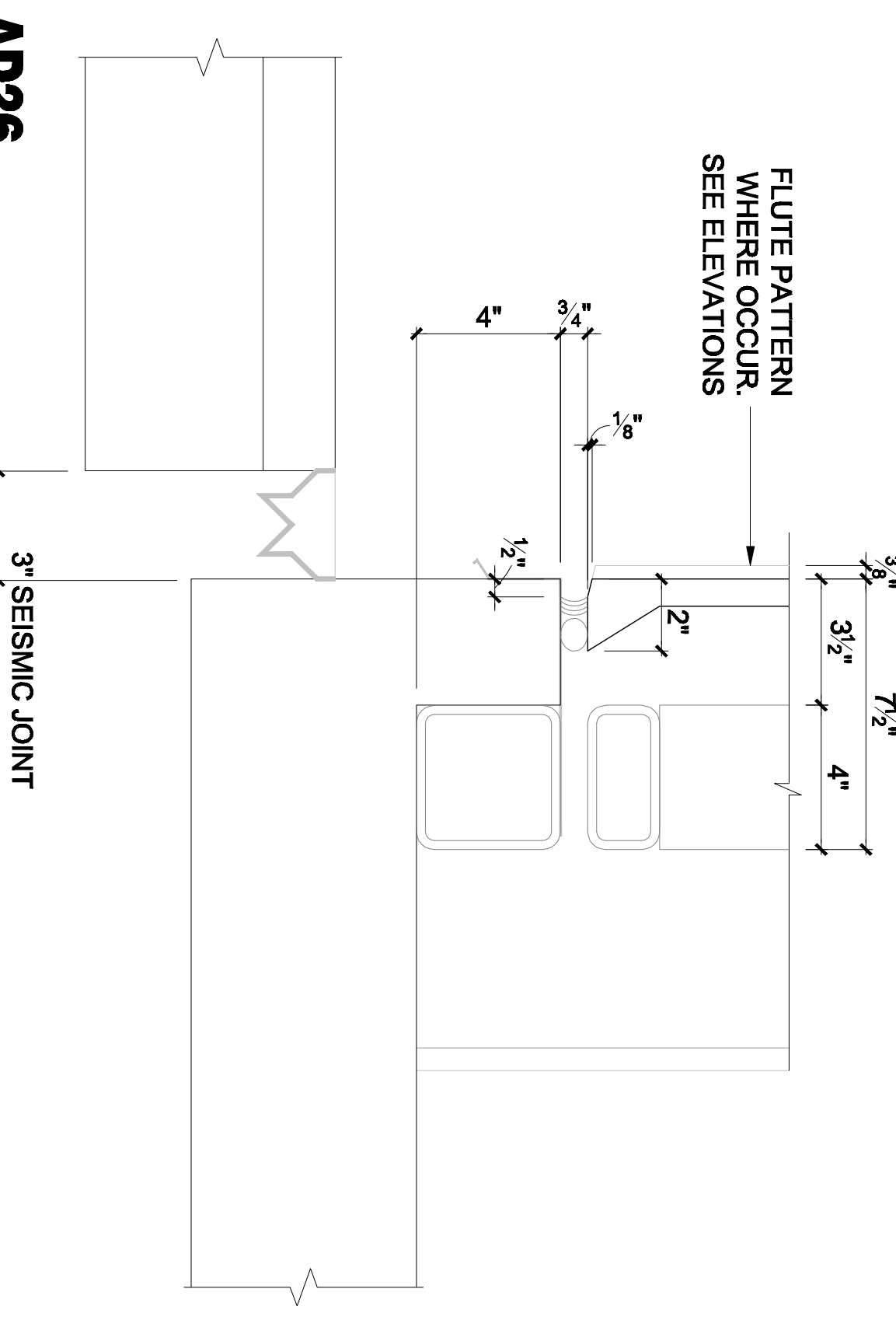
GFRFC PANEL
DETAILS

AS BUILT DRAWINGS
JANUARY 12, 2011

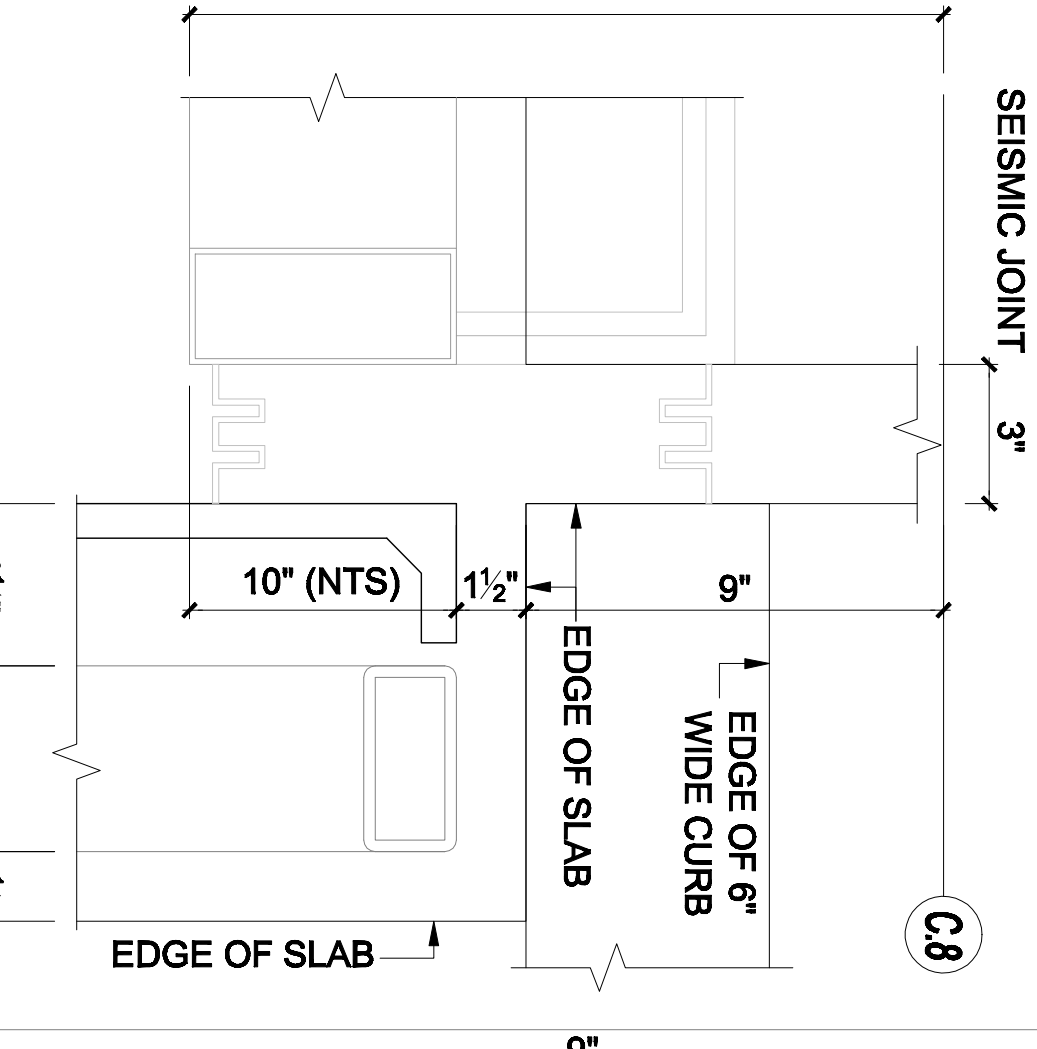
SHEET NO. **PC-852**



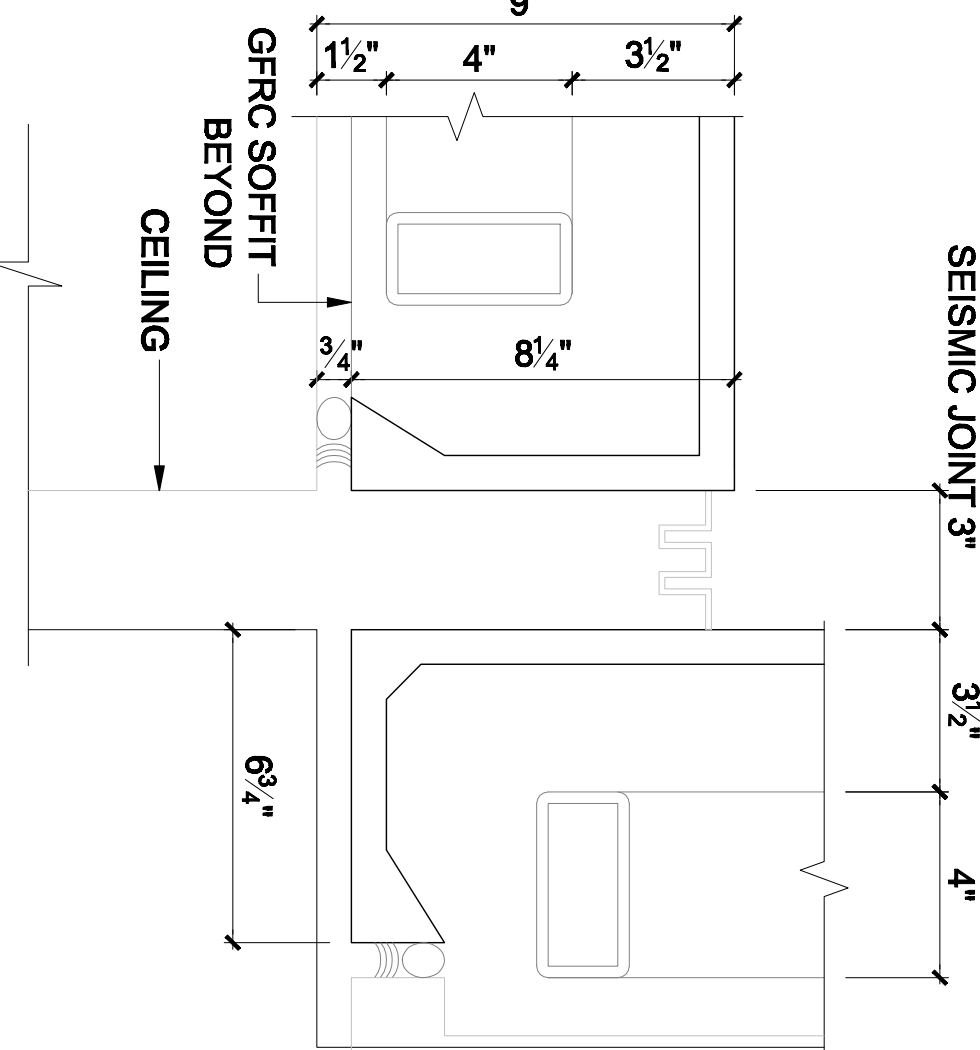
AD25
STOREFRONT HEAD DETAIL
REF: 2/A-943, 19/A-744



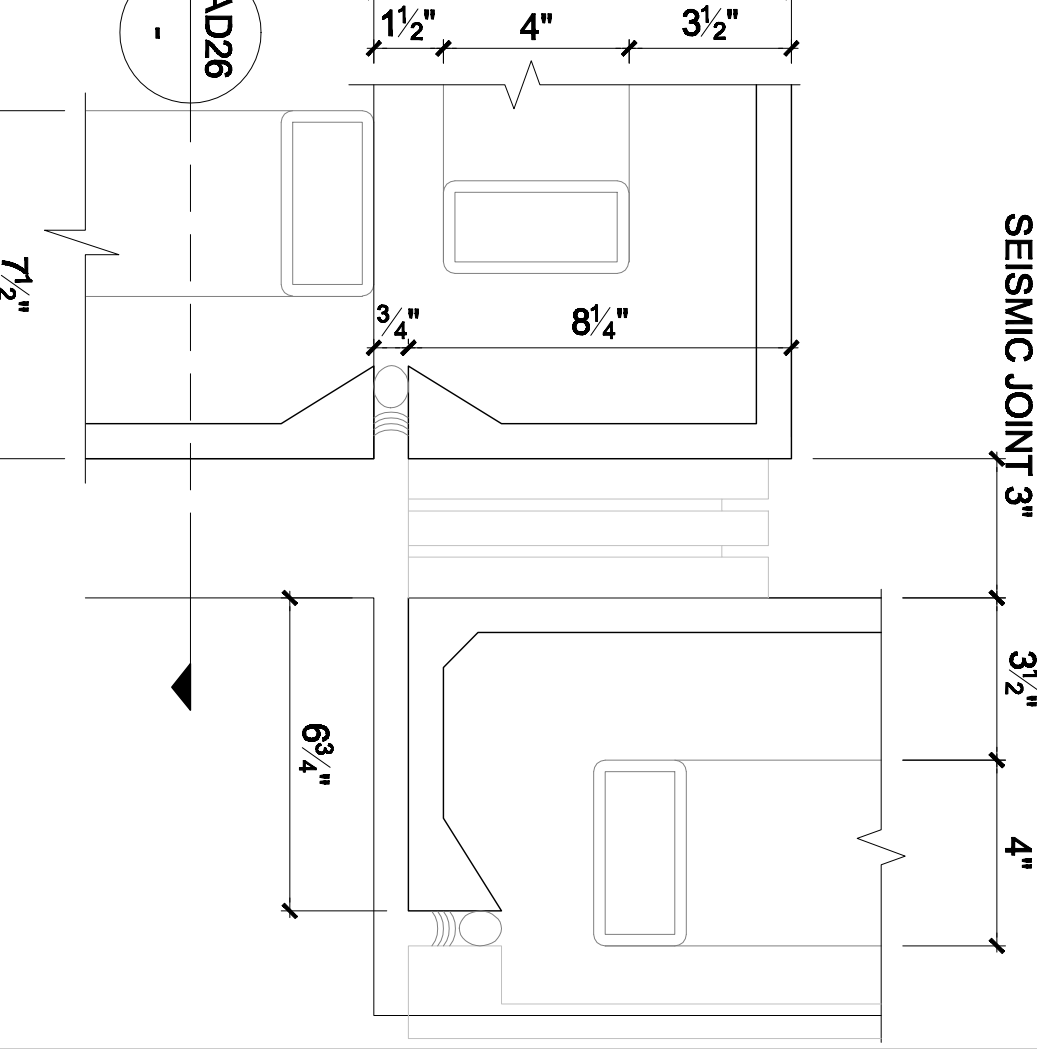
AD26
DETAIL AT GFRFC PANEL
REF: 10/A-853



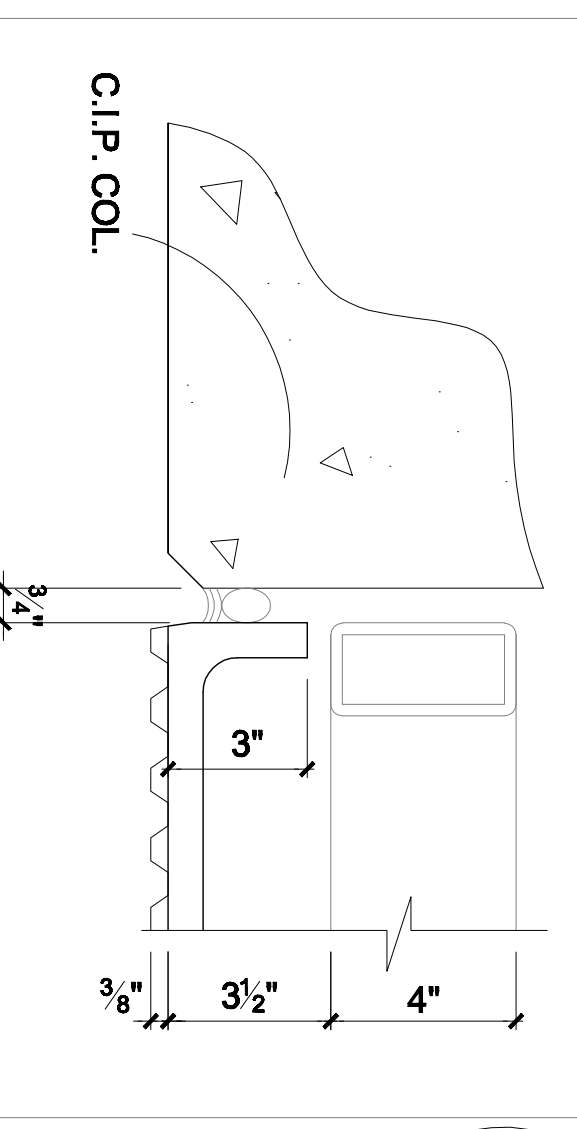
AD27
GFRFC PANEL @ SEISMIC JOINT
REF: 23/A-883



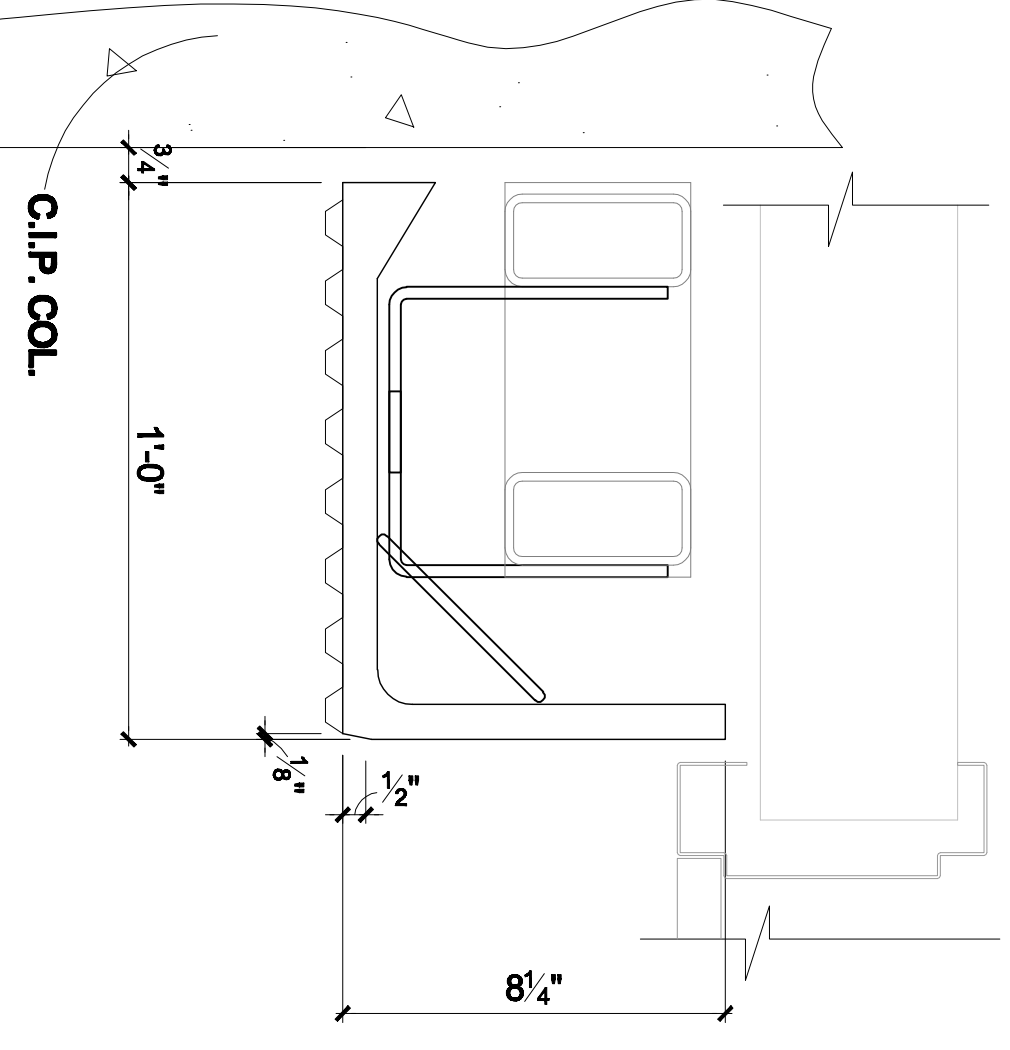
AD28
GFRFC PANEL @ SEISMIC JOINT
REF: 6A/A-853



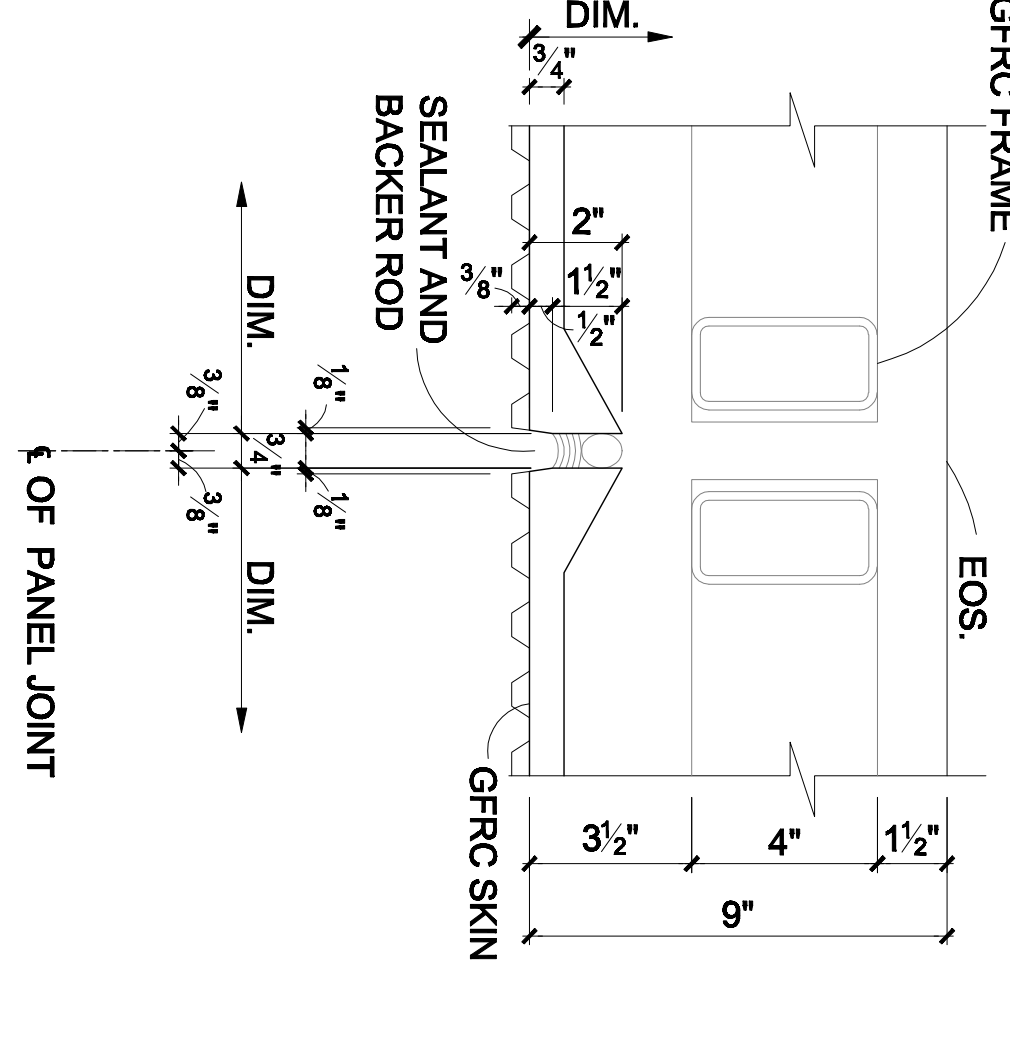
AD29
GFRFC PANEL @ SEISMIC JOINT
REF: 6B/A-853, 16, 25/R/1



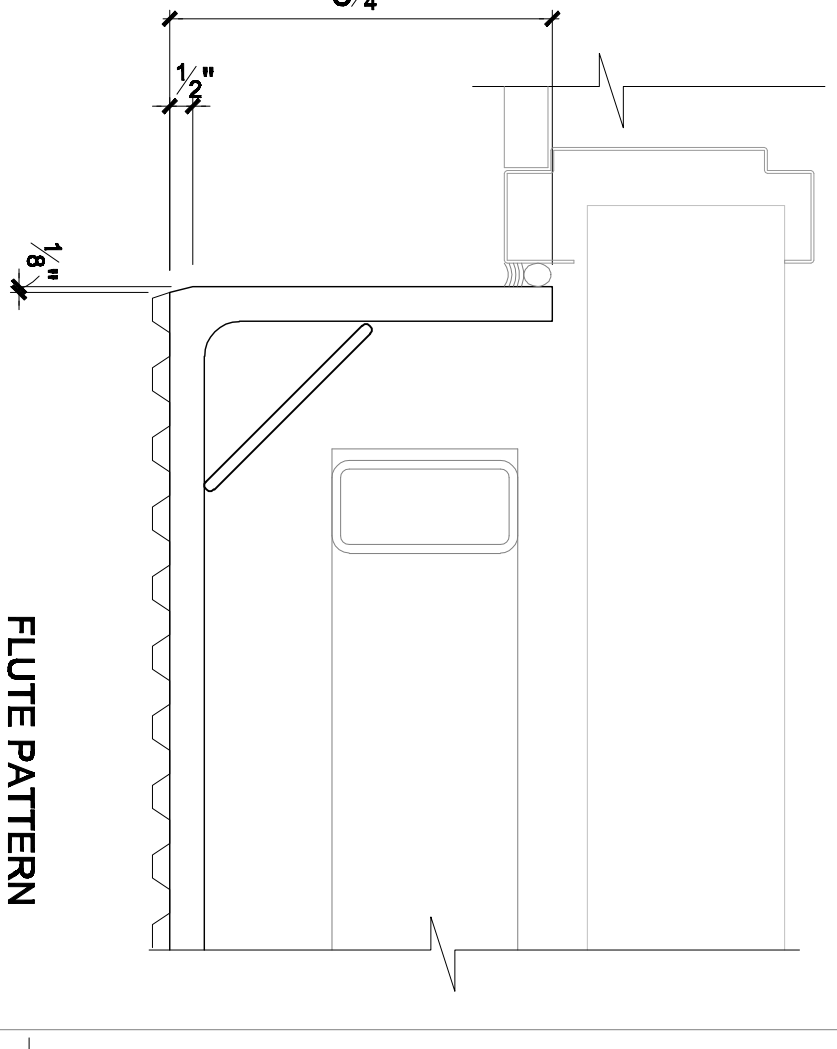
AD30
GFRFC DETAIL
REF: 9/A-803



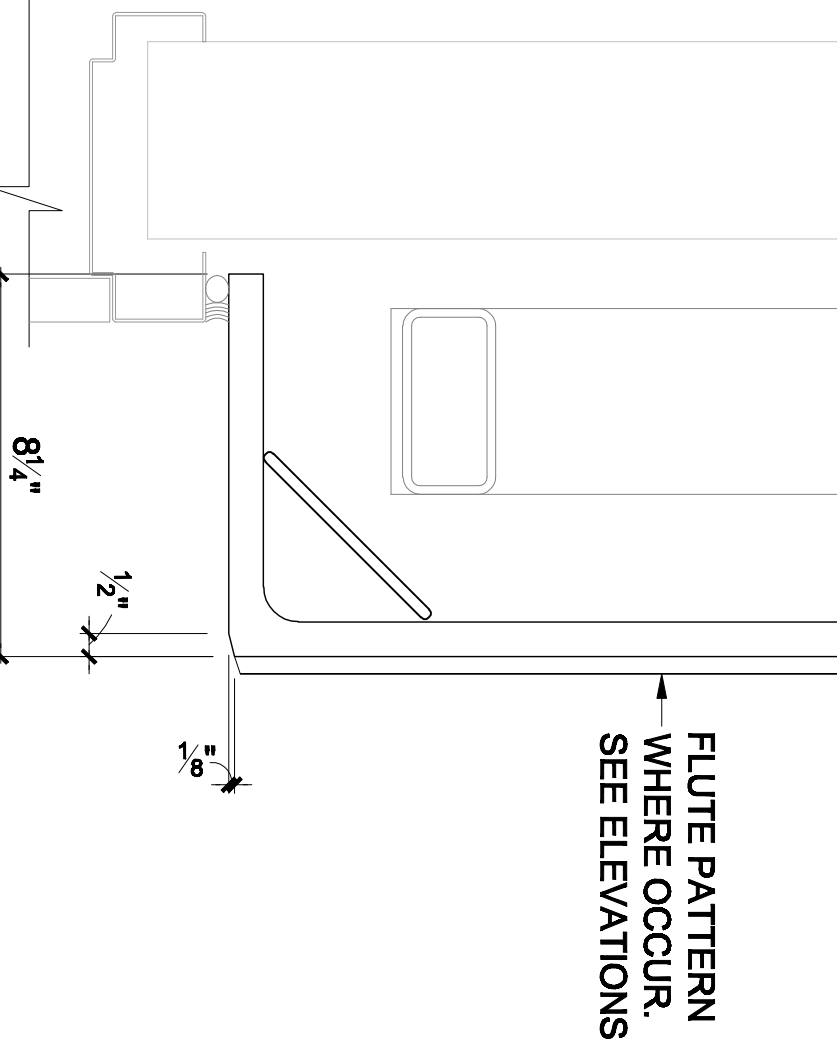
AD31
GFRFC / CLIP INTERFACE/DOOR JAMB
REF: 14/A-803, 2 SIM/A-804



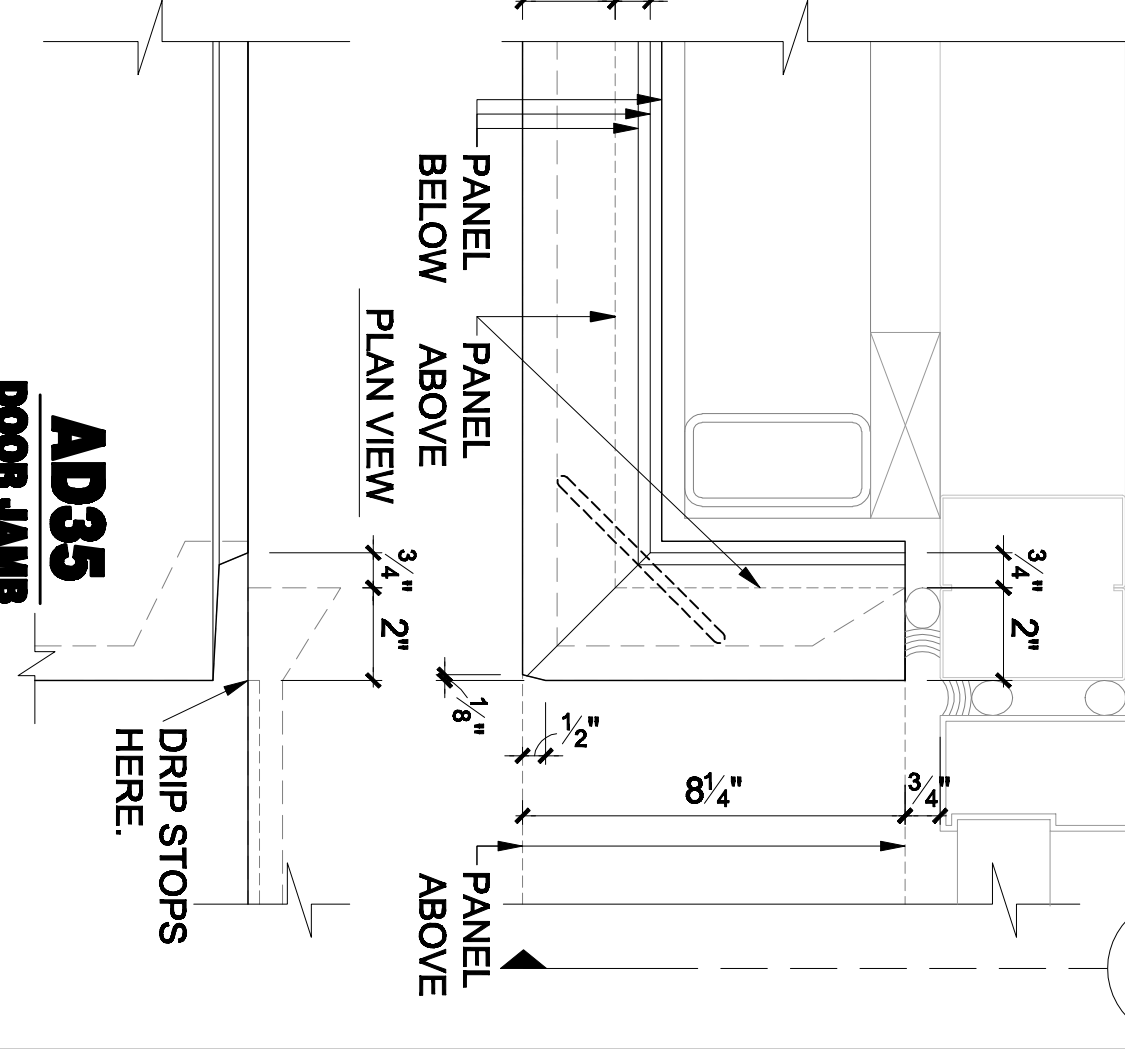
AD32
VERTICAL PANEL TO PANEL JOINT AT FLUTE PATTERN
REF: 9/A-803



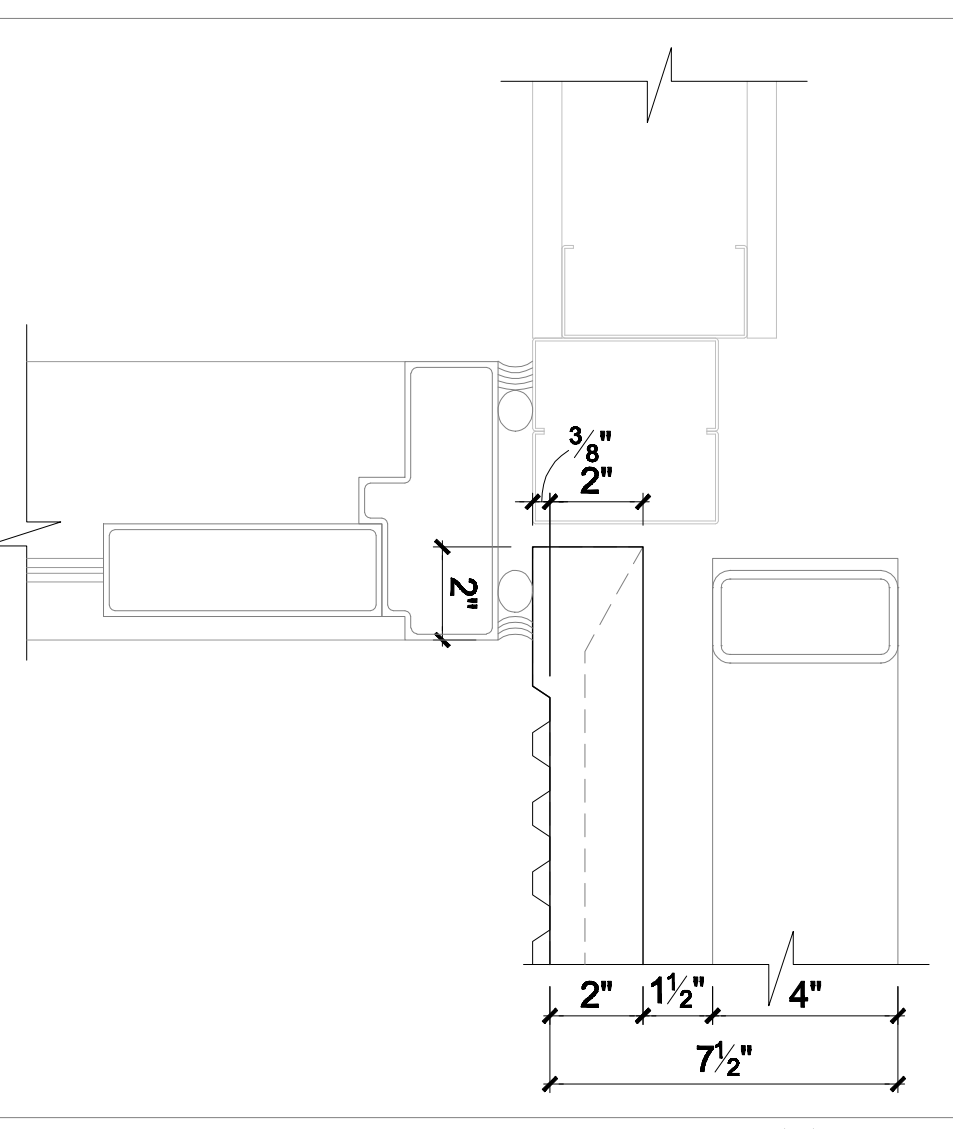
AD33
DOOR JAMB
REF: 2/A-804, REF#31



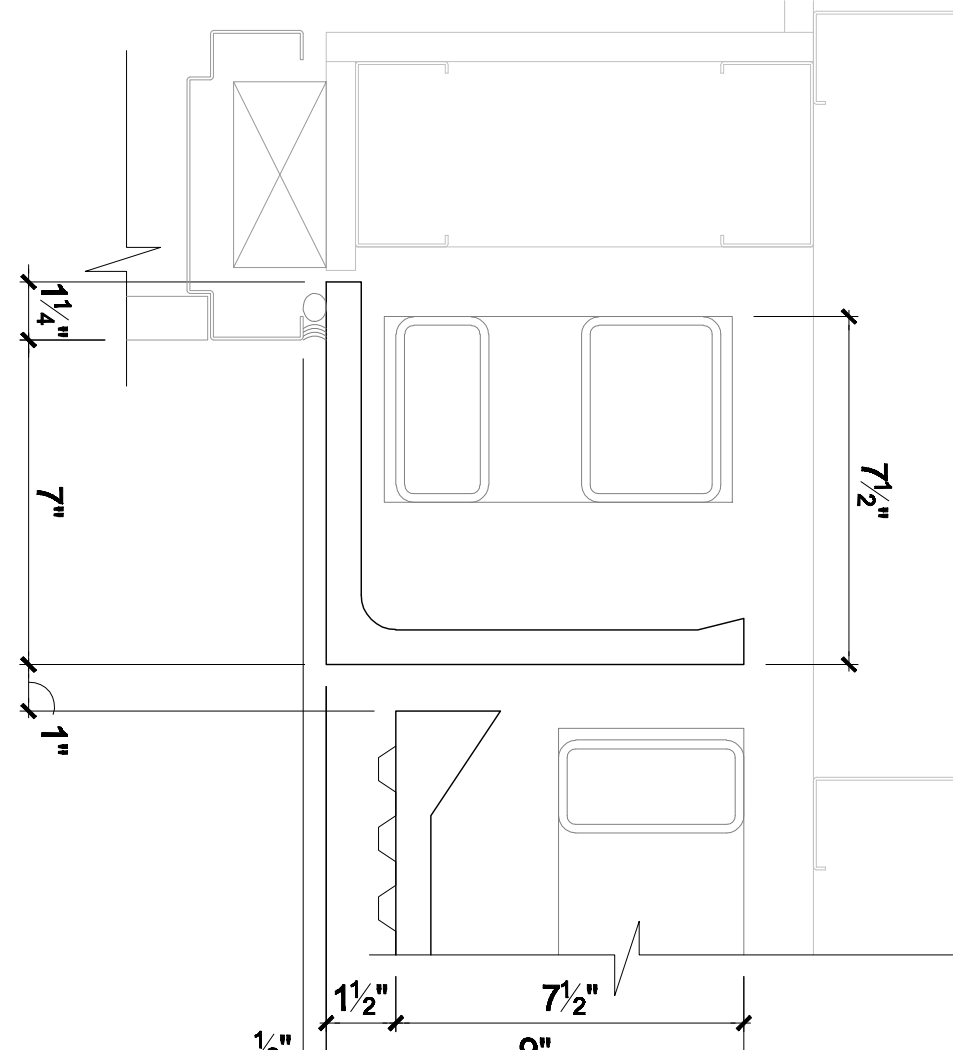
AD34
DOOR HEAD
REF: 3/A-804



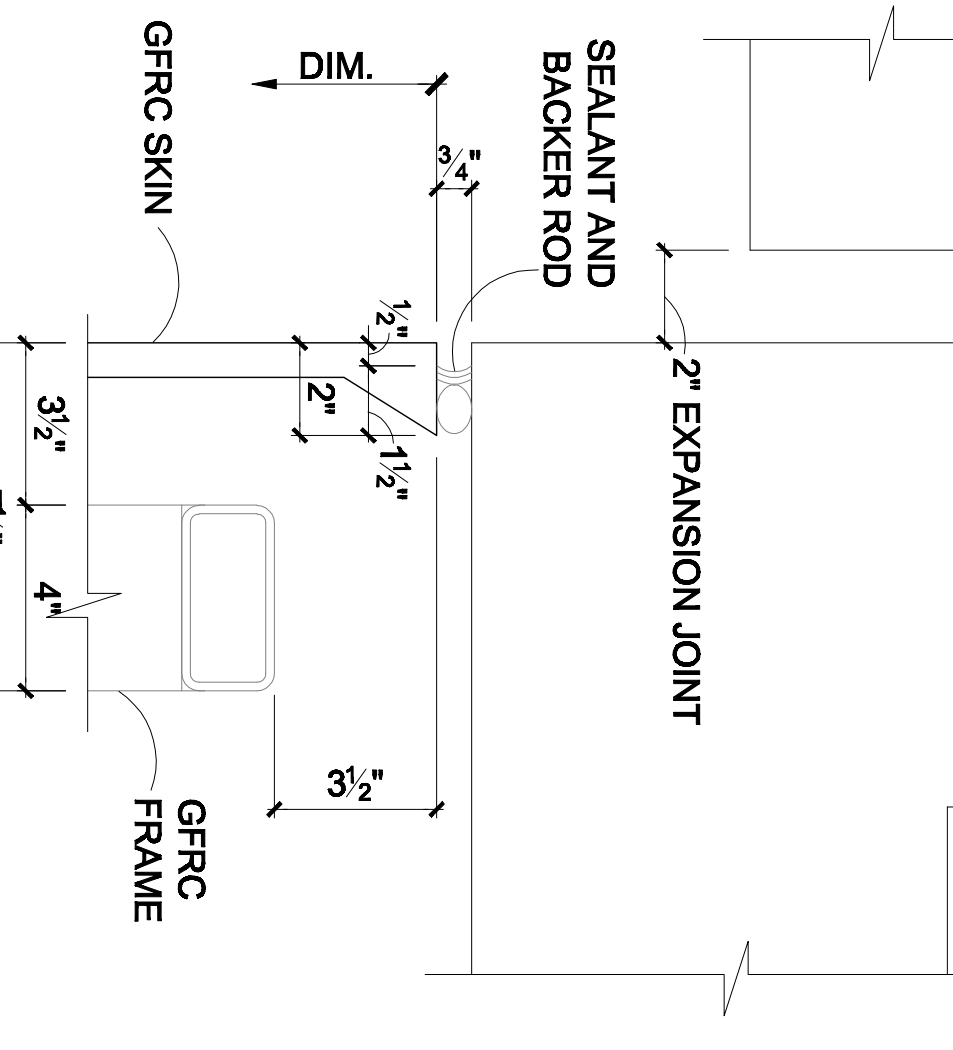
AD35
DOOR JAMB
REF: 20/A-744



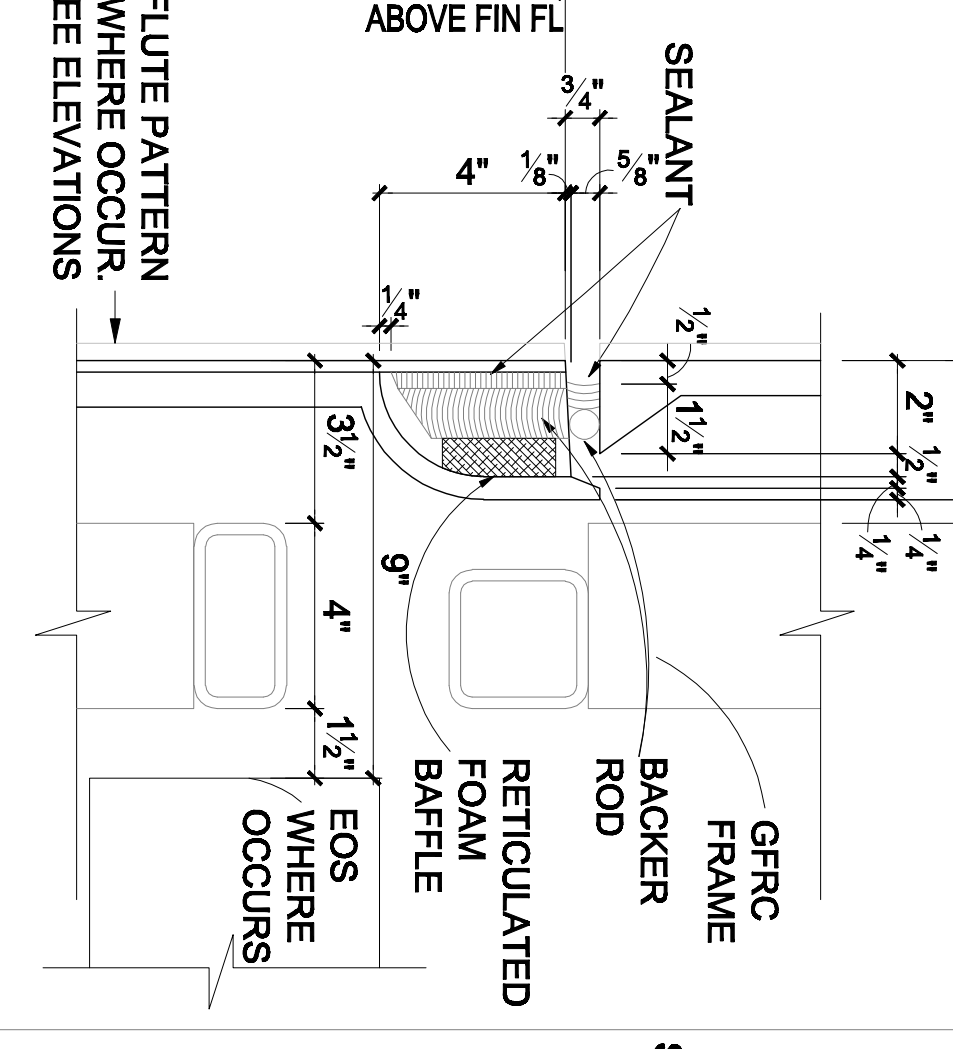
AD36
STOREFRONT JAMB
REF: 9/A-804



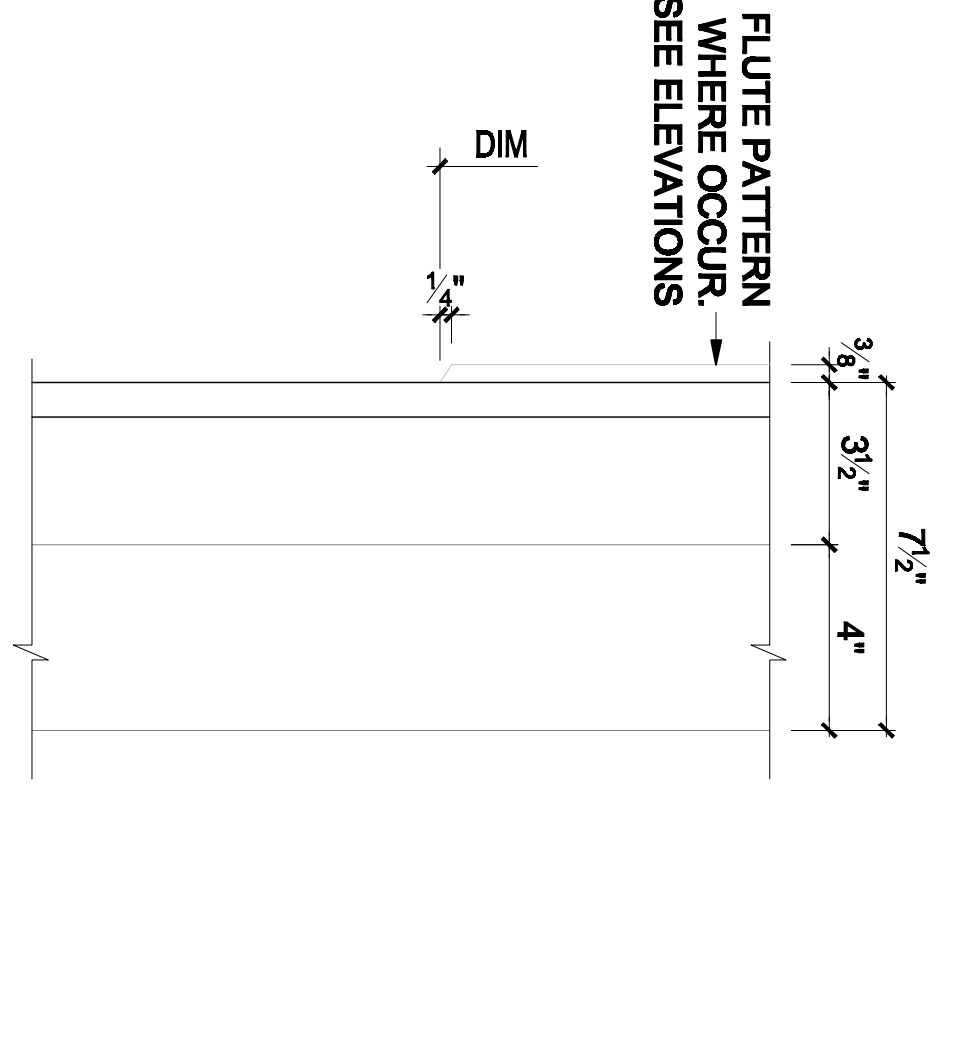
AD37
GFRFC CORNER @ STAIR STEP
REF: 13/A-803, 5/A-804



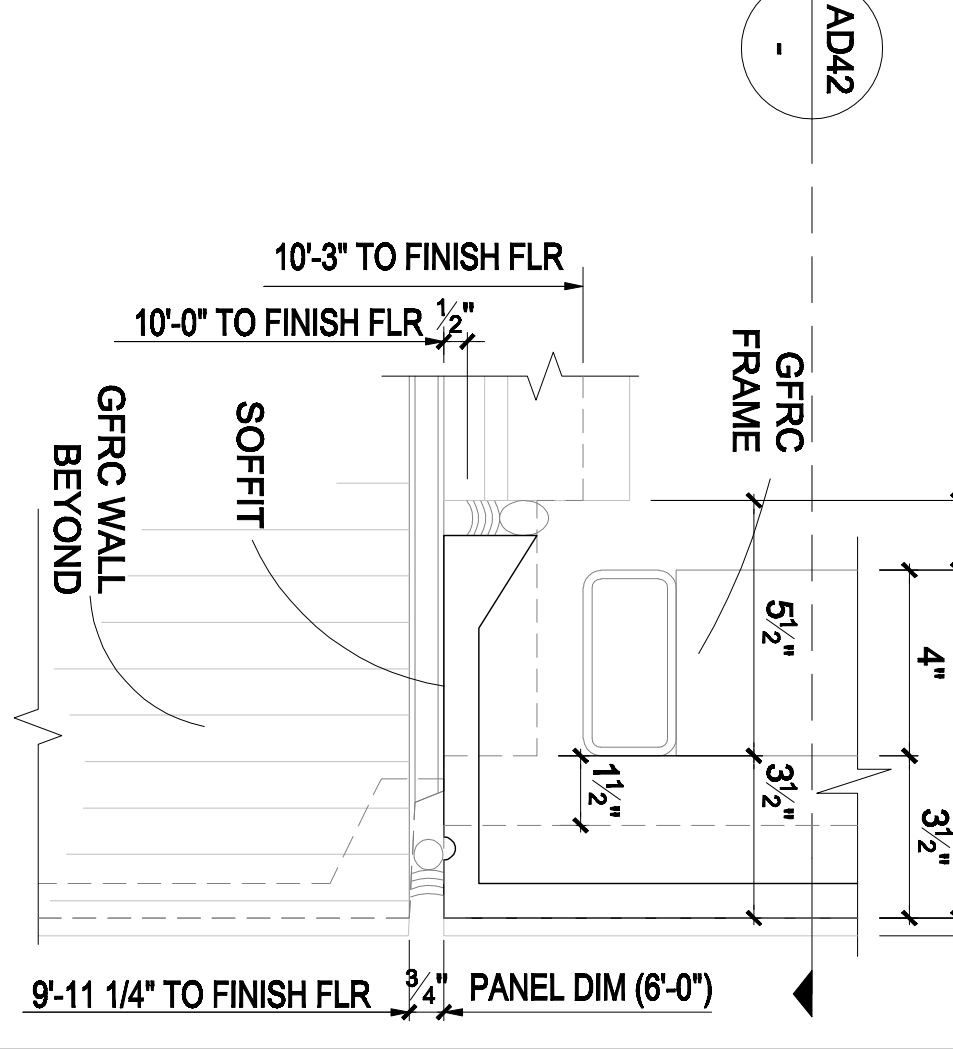
AD38
GFRFC DETAIL
REF: 12/A-801



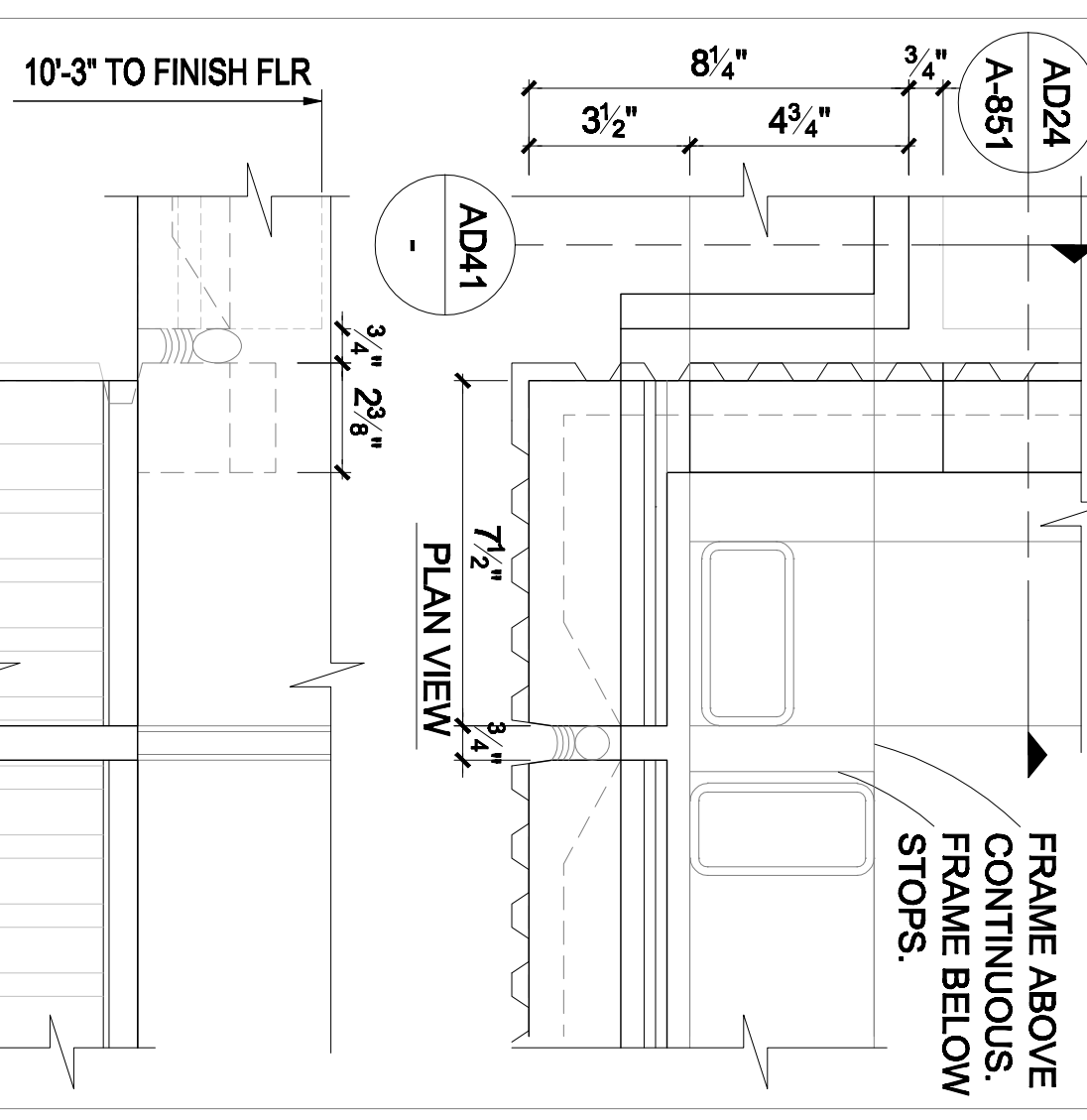
AD39
DRAIN AT HORIZONTAL PANEL/PANEL JOINT
REF: NONE



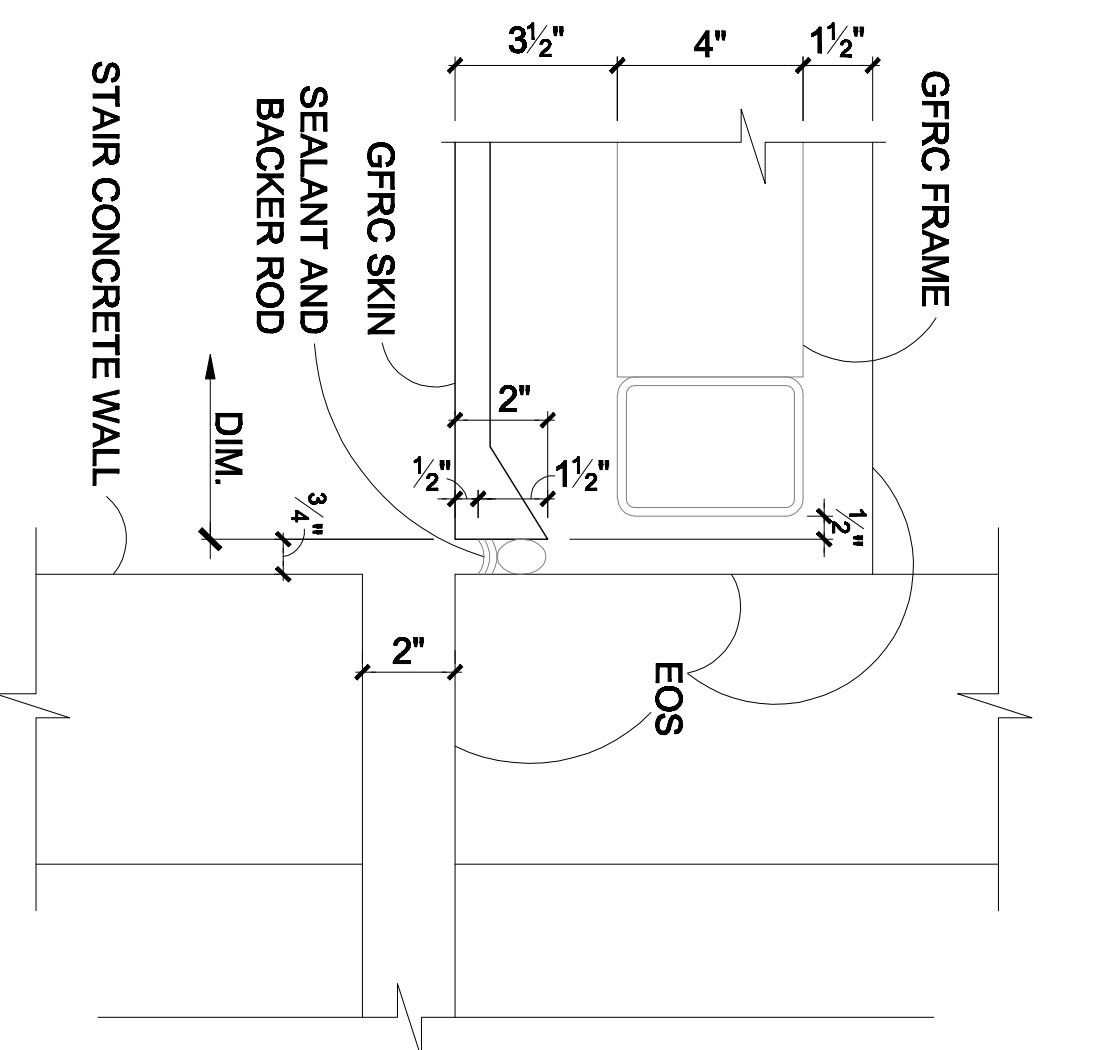
AD40
DETAIL AT GFRFC PANEL
REF:



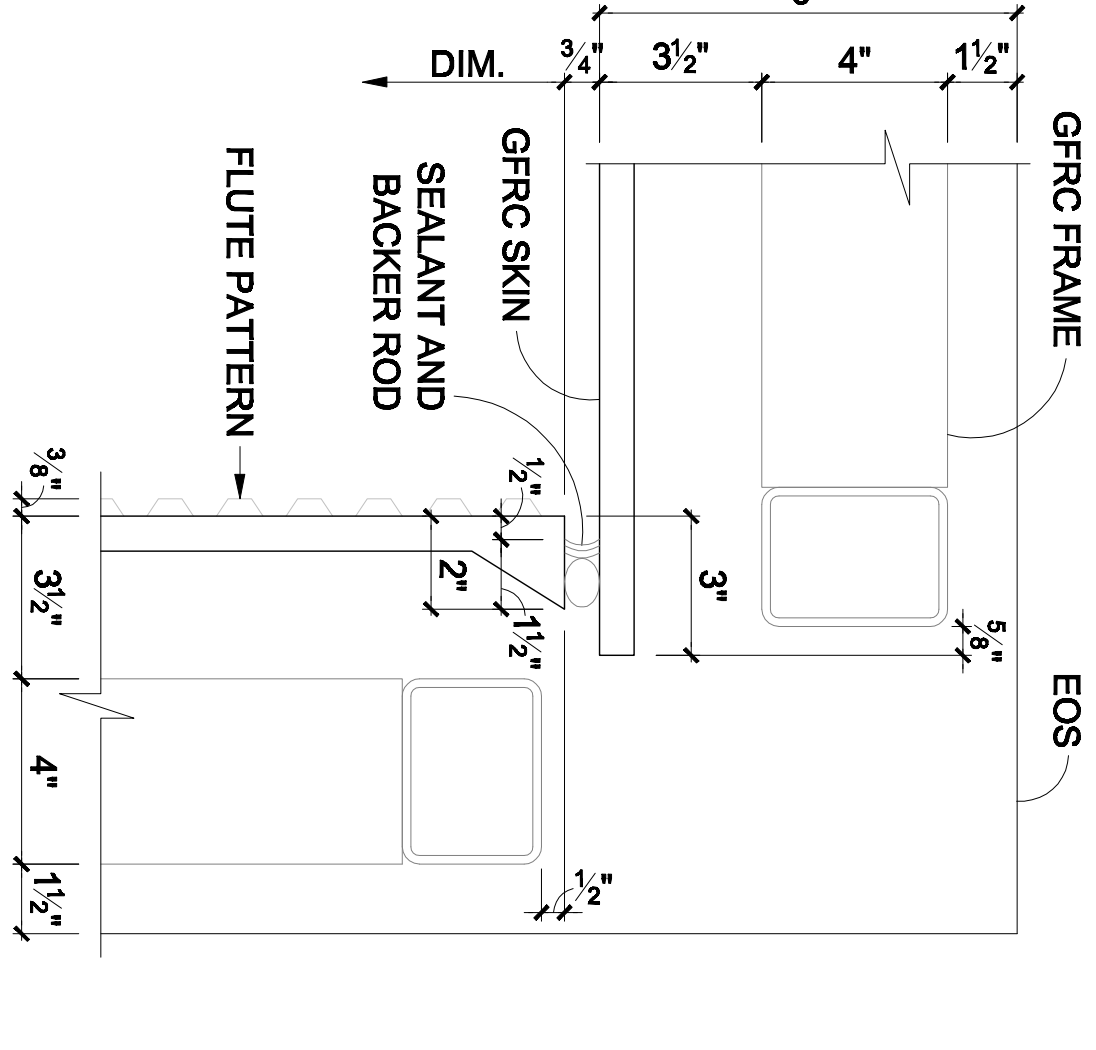
AD41
DETAIL AT SOFFIT
REF: 11/A-744, 12/A-803, RF-36R



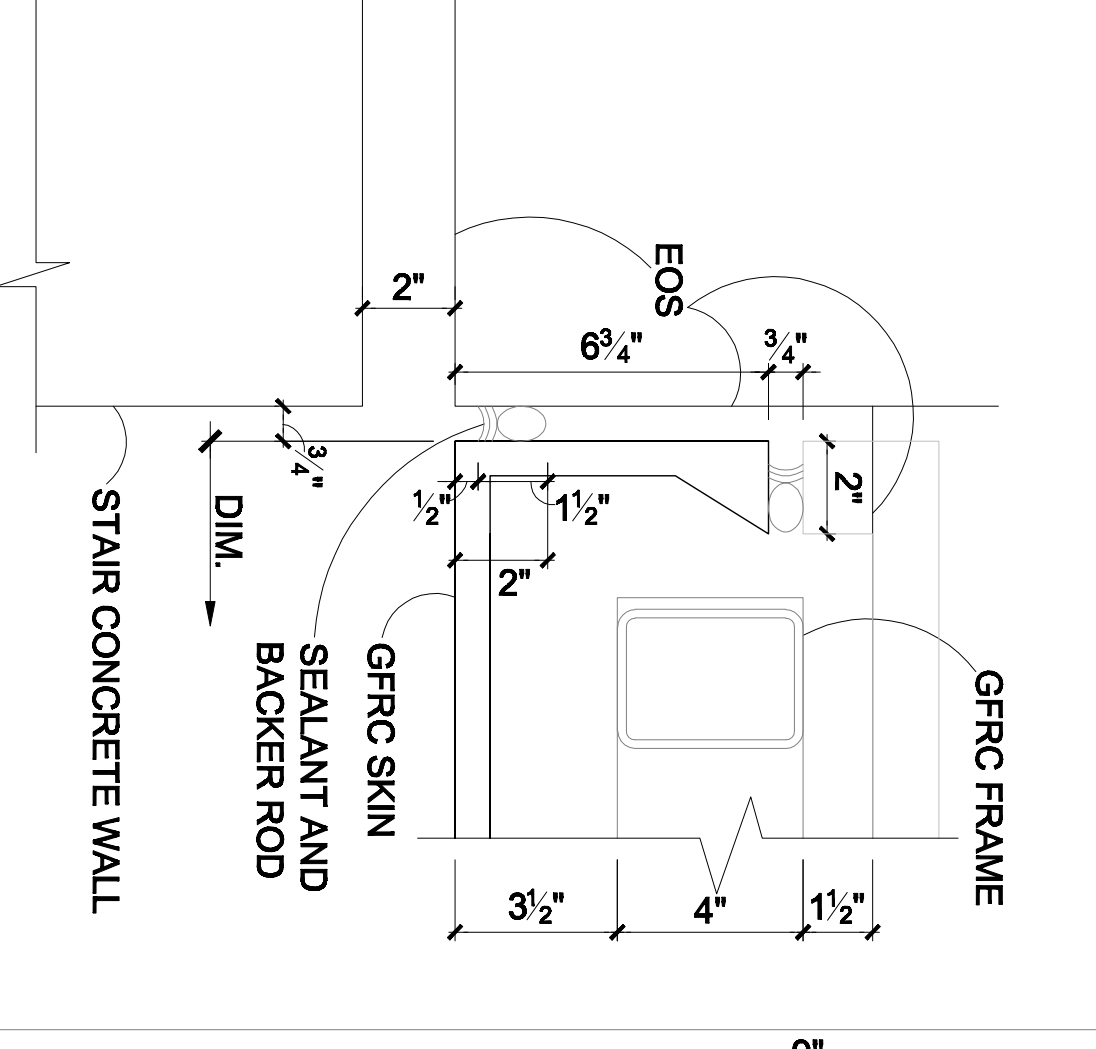
AD42
DETAIL
REF: 11/A-744, 12/A-803, RF-36R



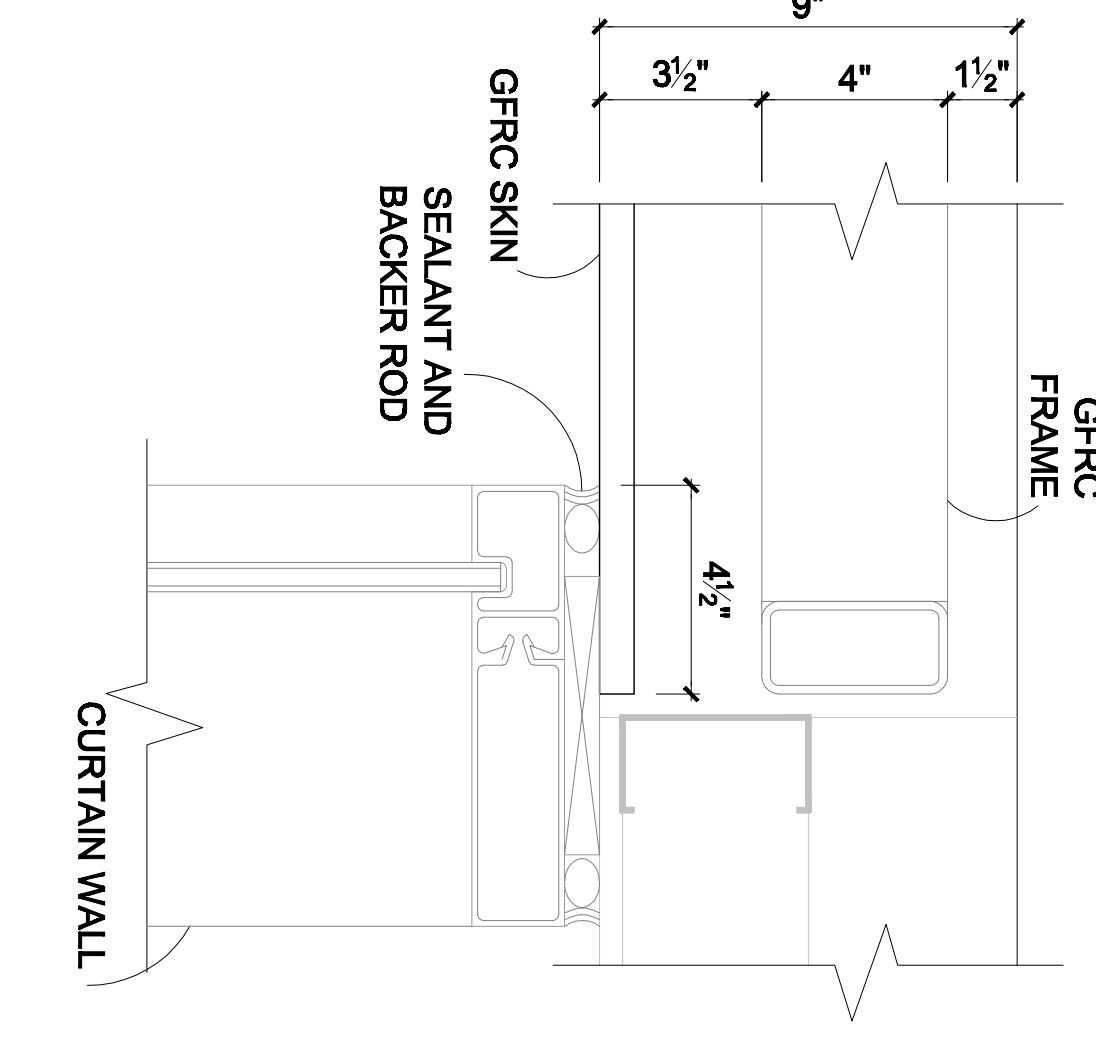
AD43
GFRFC DETAIL
REF: 11/A-801



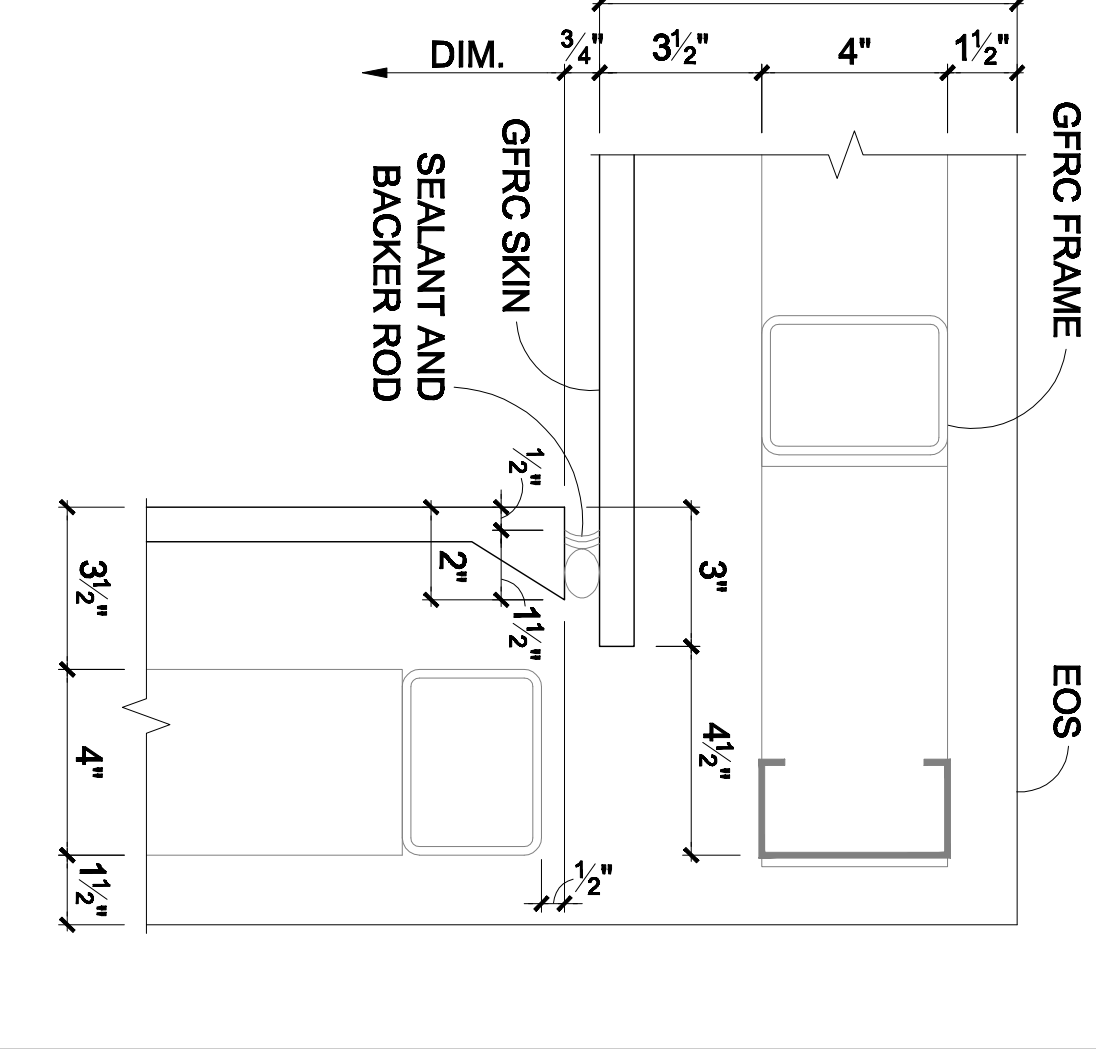
AD44
GFRFC DETAIL
REF: 16/A-803



AD45
GFRFC DETAIL
REF:



AD46
GFRFC DETAIL
REF: 10/745



AD47
GFRFC DETAIL
REF: 16/803

All drawings and details are the property of WRNS Studio. No part of these drawings may be reproduced, stored in a retrieval system, or transmitted in any form or by any means, electronic, mechanical, photocopying, recording, or by any information storage and retrieval system, without the prior written permission of WRNS Studio.

This drawing is not for construction. The original size is 11\"/>