

NO.	REVISIONS	DATE
1	ISSUE FOR PERMITS	02/08/10
2	FOR SCHEDULED DESIGN SUBMITTAL	02/08/10
3	FOR DESIGN DEVELOPMENT SUBMITTAL	02/08/10
4	FOR PERMITS	02/08/10
5	FOR CONSTRUCTION	02/08/10
6	FOR CONSTRUCTION	02/08/10
7	FOR CONSTRUCTION	02/08/10
8	FOR CONSTRUCTION	02/08/10
9	FOR CONSTRUCTION	02/08/10
10	FOR CONSTRUCTION	02/08/10
11	FOR CONSTRUCTION	02/08/10



DIVISION OF THE
STATE ARCHITECT
FILE # 41-01
APPL # 01-110117
AC _____ NS _____
SS _____ DR _____
IDENTIFICATION
STAMP

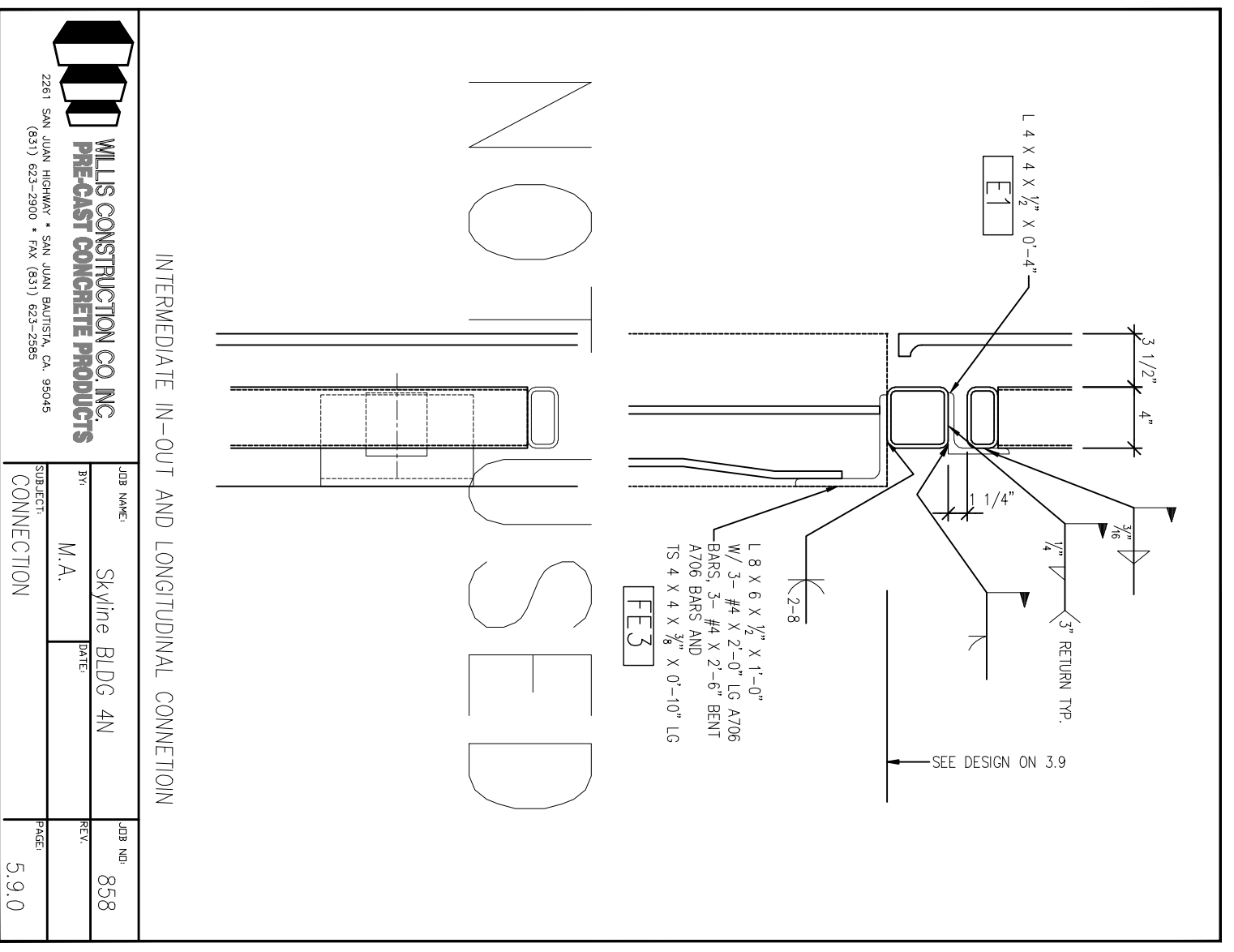
SKYLINE COLLEGE
SAN MATEO COUNTY
DISTRICT
CIP2 DESIGN-BUILD
BUILDING 4
INCREMENT 2

PROJECT: 070120 DRAWN BY: JORDO
DATE: 04/28/10 CHECKED BY:
SCALE: _____

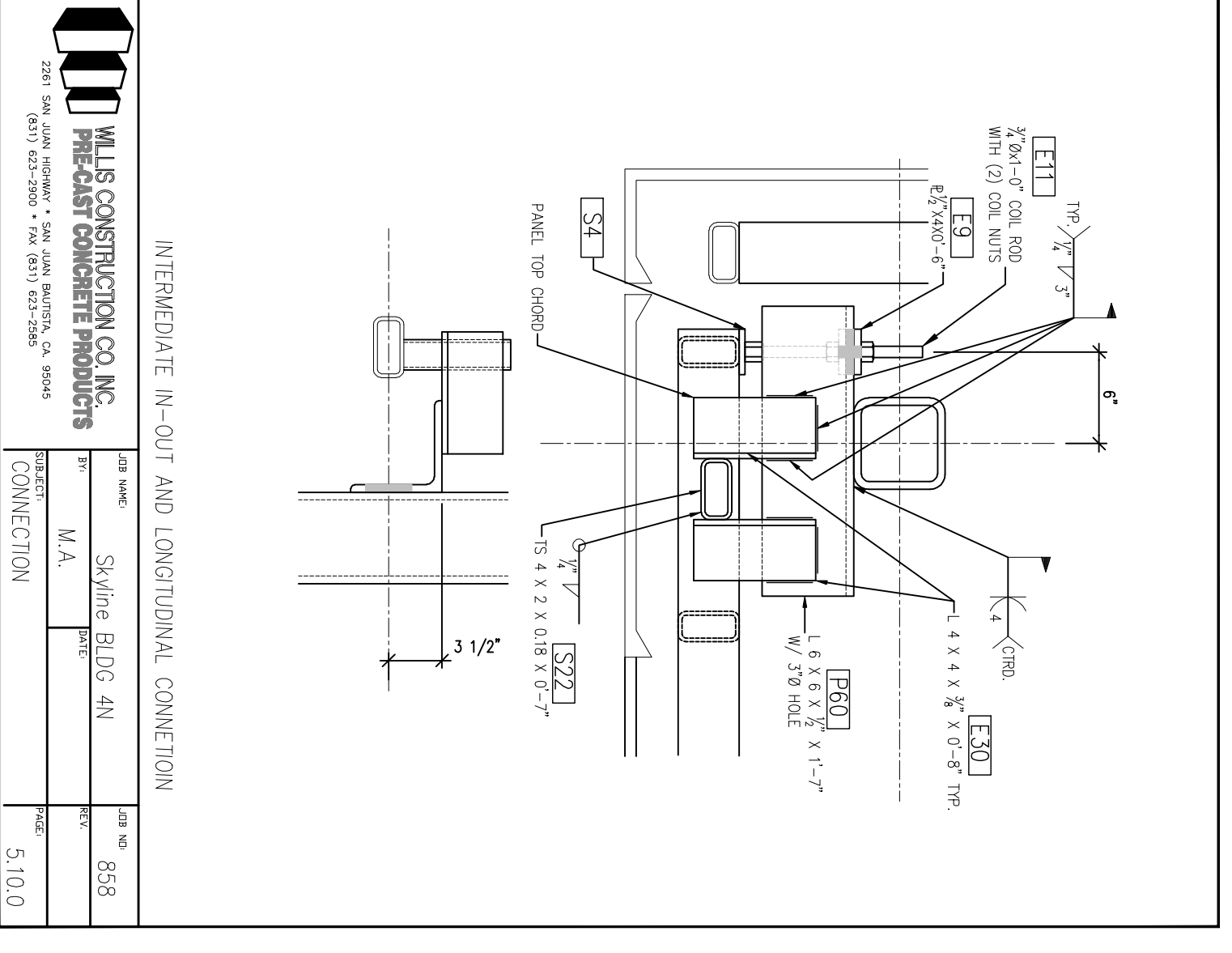
CONNECTION
DETAILS

AS BUILT DRAWINGS
JANUARY 12, 2011

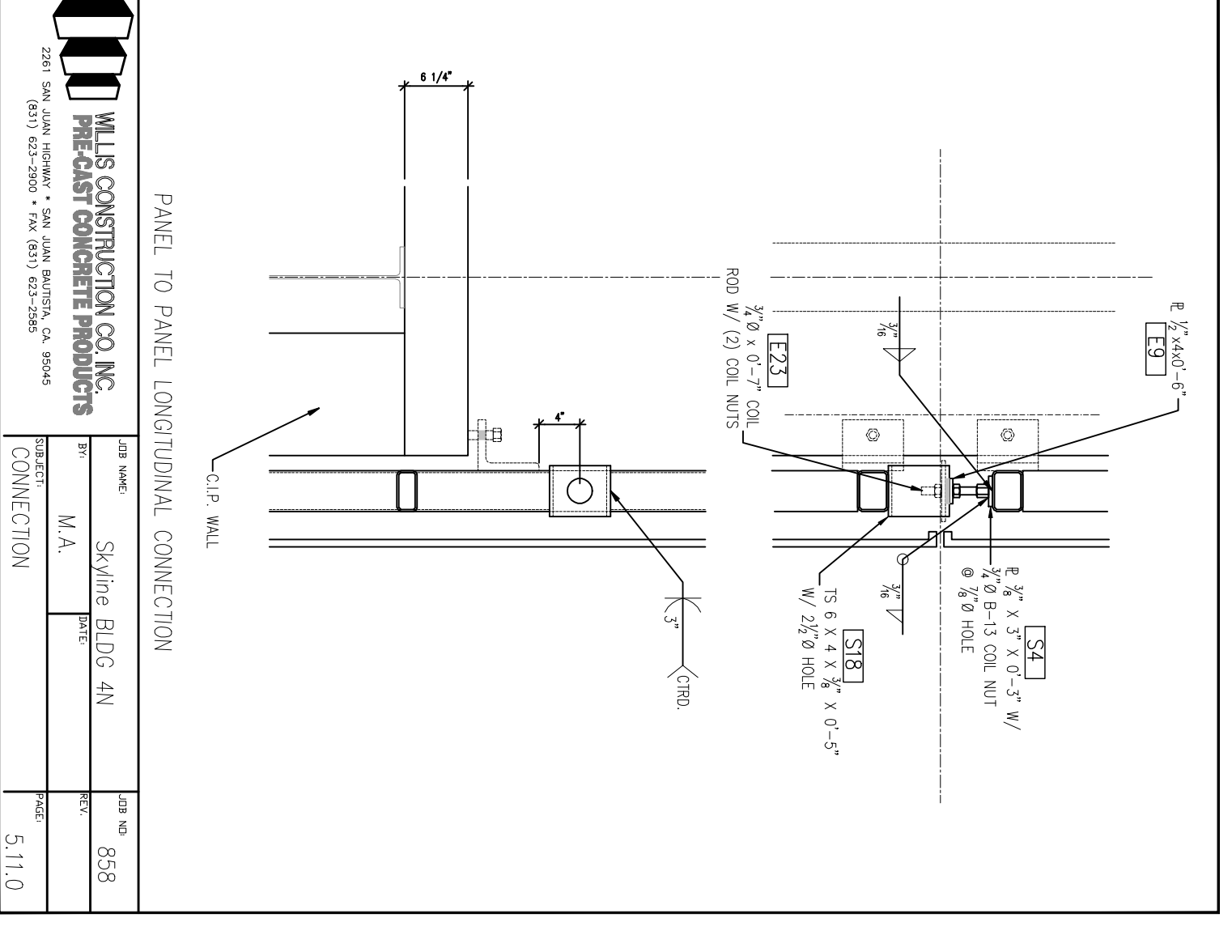
PC-845



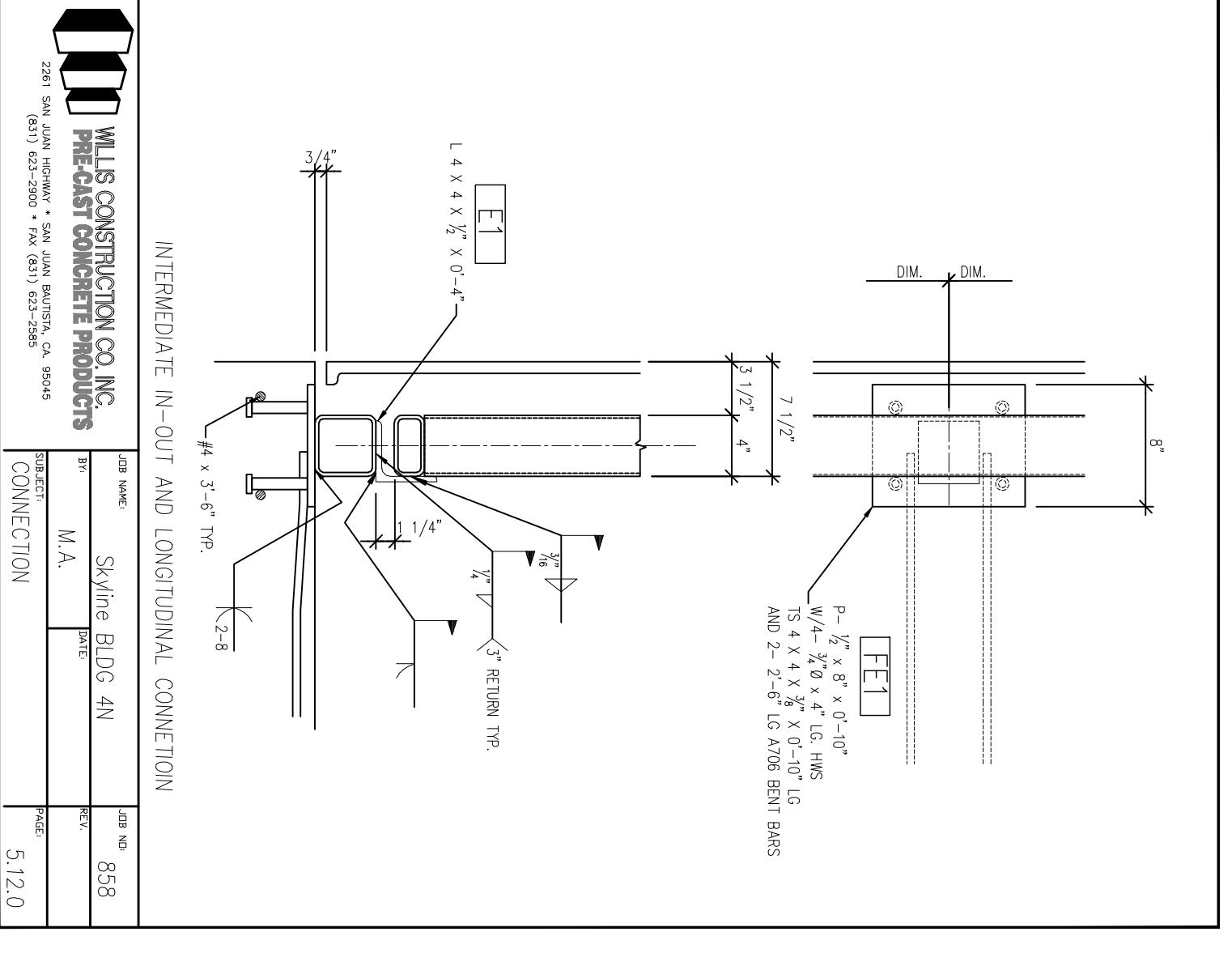
JOB NO.	5158
PROJECT	SKYLINE BLDG 4N
CONNECTION	CONNECTION
DATE	5.9.0



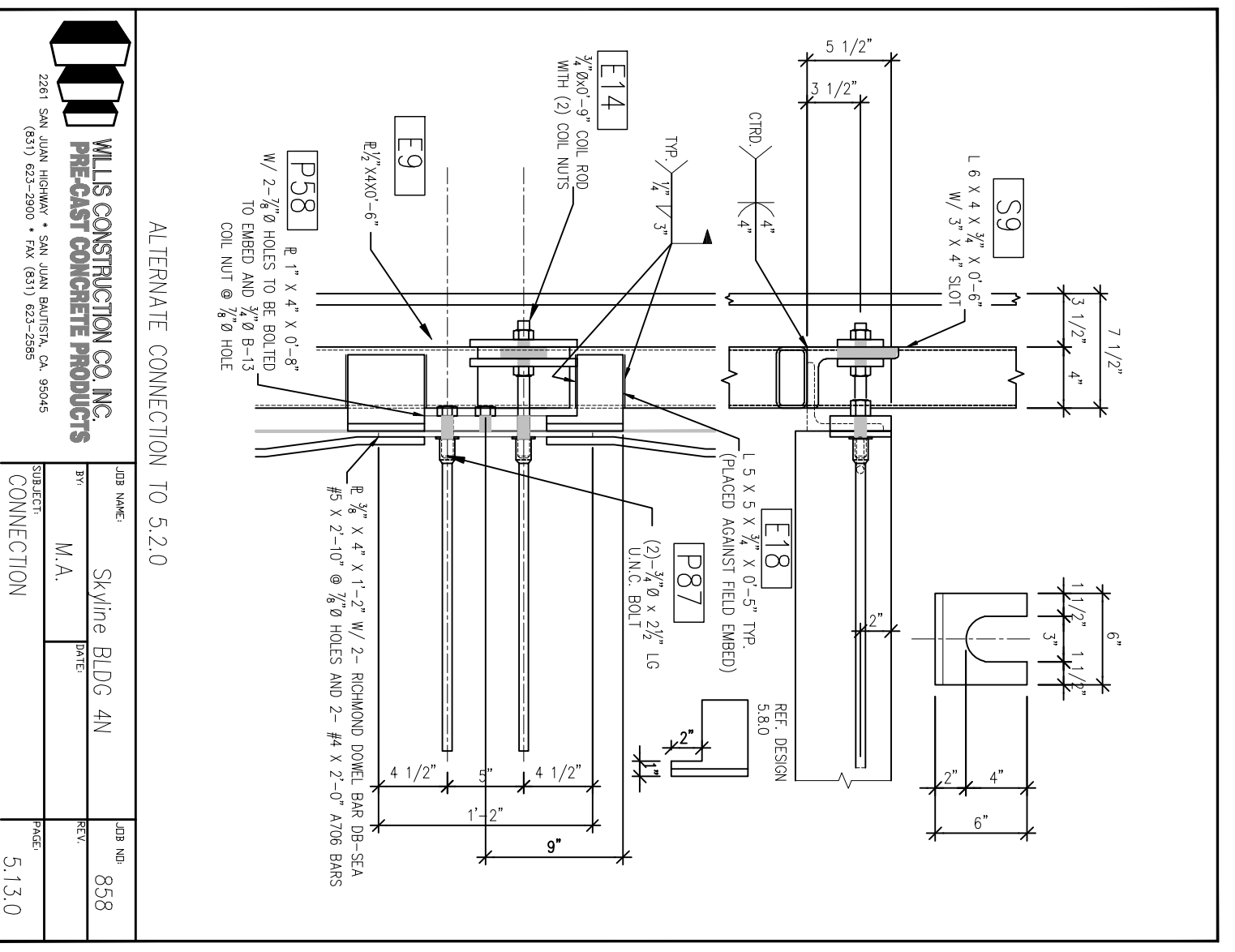
JOB NO.	5158
PROJECT	SKYLINE BLDG 4N
CONNECTION	CONNECTION
DATE	5.10.0



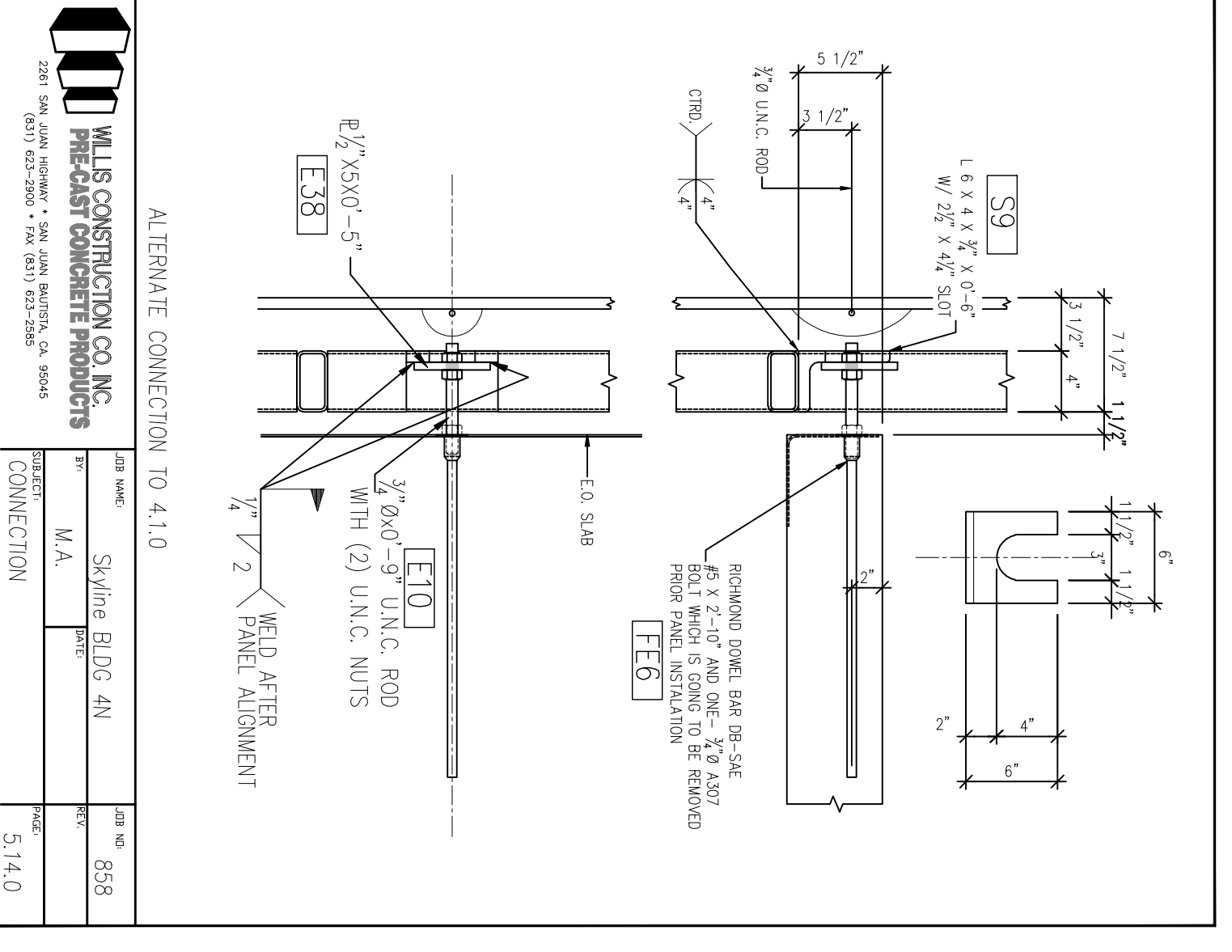
JOB NO.	5158
PROJECT	SKYLINE BLDG 4N
CONNECTION	CONNECTION
DATE	5.11.0



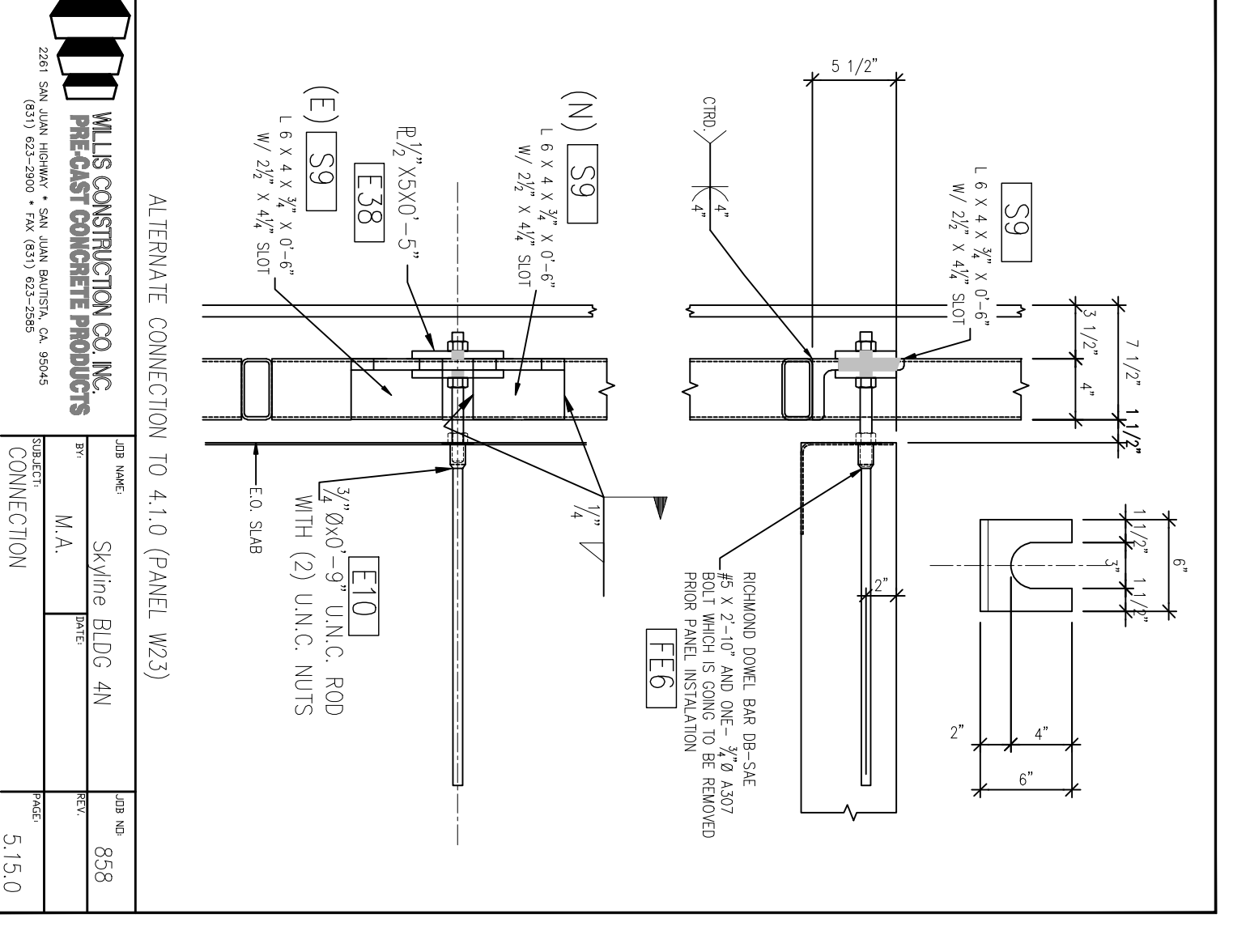
JOB NO.	5158
PROJECT	SKYLINE BLDG 4N
CONNECTION	CONNECTION
DATE	5.12.0



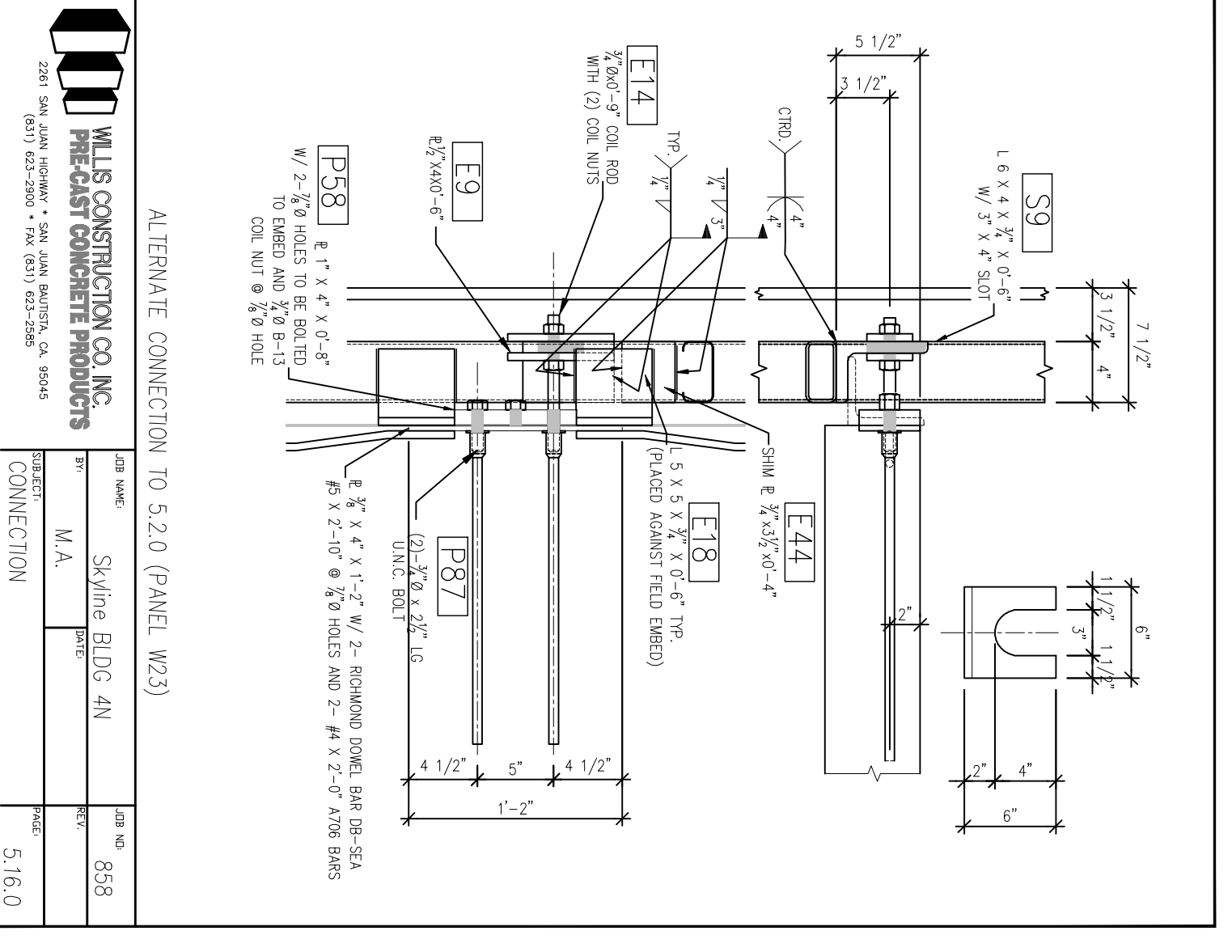
JOB NO.	558
PROJECT	SKYLINE BLDG 4N
CONNECTION	CONNECTION
DATE	5.13.0



JOB NO.	558
PROJECT	SKYLINE BLDG 4N
CONNECTION	CONNECTION
DATE	5.14.0



JOB NO.	558
PROJECT	SKYLINE BLDG 4N
CONNECTION	CONNECTION
DATE	5.15.0



JOB NO.	558
PROJECT	SKYLINE BLDG 4N
CONNECTION	CONNECTION
DATE	5.16.0