

NO.	REVISION/REVISIONS	DATE
1	ISSUE SCHEDULE DESIGN SUBMITTAL	02/08/10
2	ISSUE SCHEDULE DESIGN SUBMITTAL	02/08/10
3	ISSUE SCHEDULE DESIGN SUBMITTAL	02/08/10
4	ISSUE SCHEDULE DESIGN SUBMITTAL	02/08/10
5	ISSUE SCHEDULE DESIGN SUBMITTAL	02/08/10
6	ISSUE SCHEDULE DESIGN SUBMITTAL	02/08/10
7	ISSUE SCHEDULE DESIGN SUBMITTAL	02/08/10
8	ISSUE SCHEDULE DESIGN SUBMITTAL	02/08/10
9	ISSUE SCHEDULE DESIGN SUBMITTAL	02/08/10
10	ISSUE SCHEDULE DESIGN SUBMITTAL	02/08/10
11	ISSUE SCHEDULE DESIGN SUBMITTAL	02/08/10



DIVISION OF THE
 STATE ARCHITECT
 FILE # A-1501
 APP# # 01-110117
 AC _____ NSJ _____
 DATE _____
 IDENTIFICATION
 STAMP

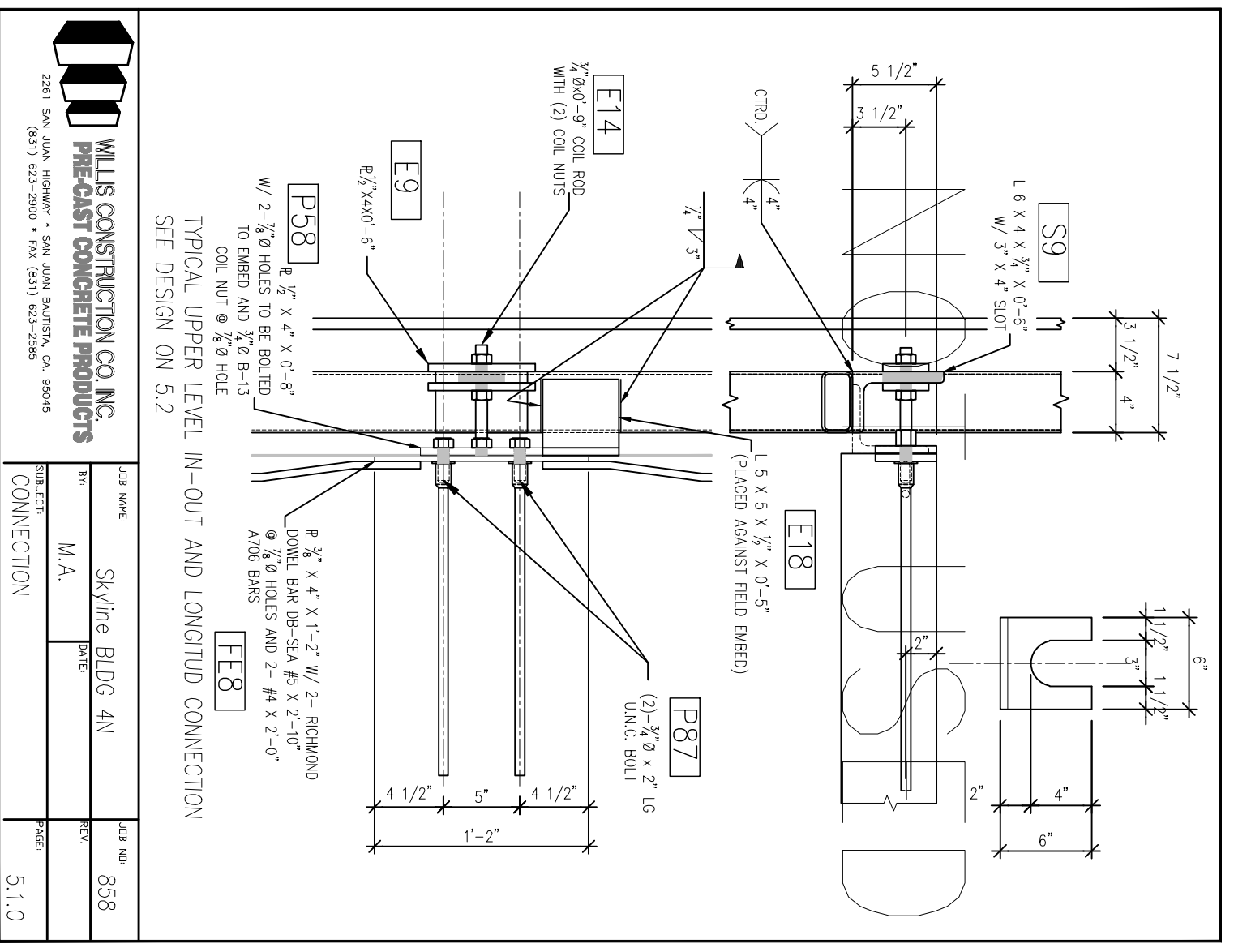
SKYLINE COLLEGE
 SAN MATEO COUNTY
 DISTRICT
CIP2 DESIGN-BUILD
PROJECT
BUILDING 4
INCREMENT 2
 EXEMPT

PROJECT NO. 090320
 SHEET NO. J020
 DATE 04/28/10
 DRAWN BY
 CHECKED BY

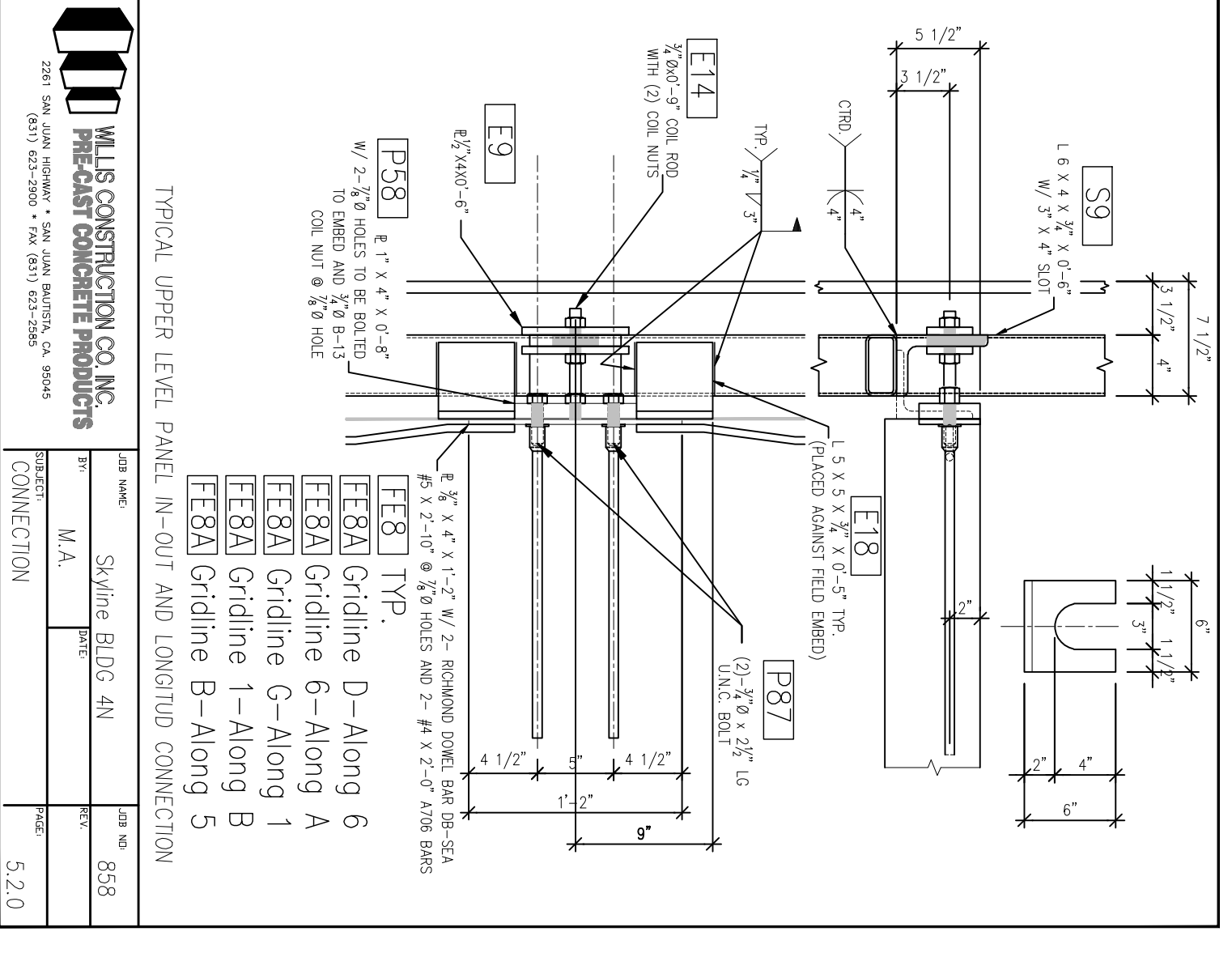
CONNECTION
DETAILS

AS BUILT DRAWINGS
JANUARY 12, 2011

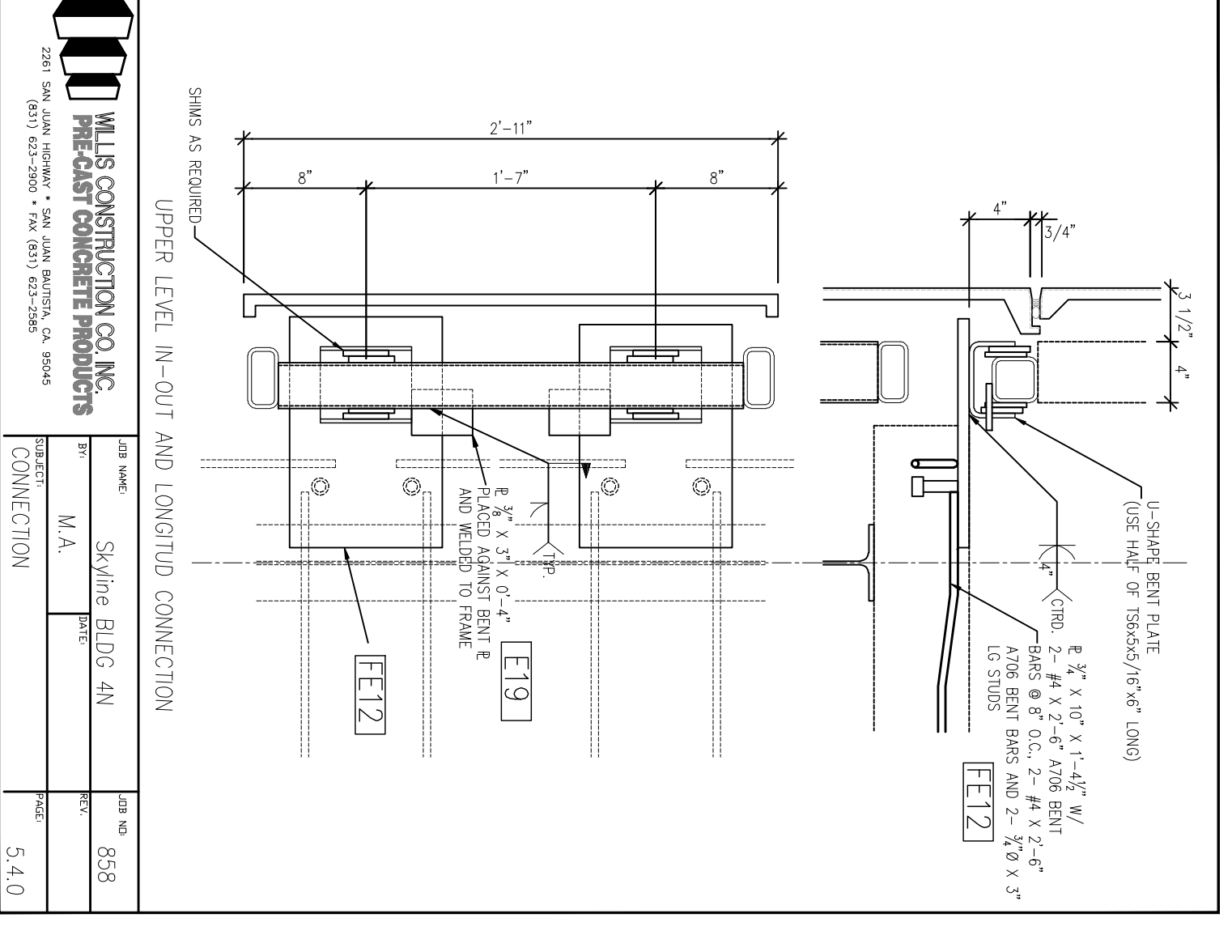
PC-844



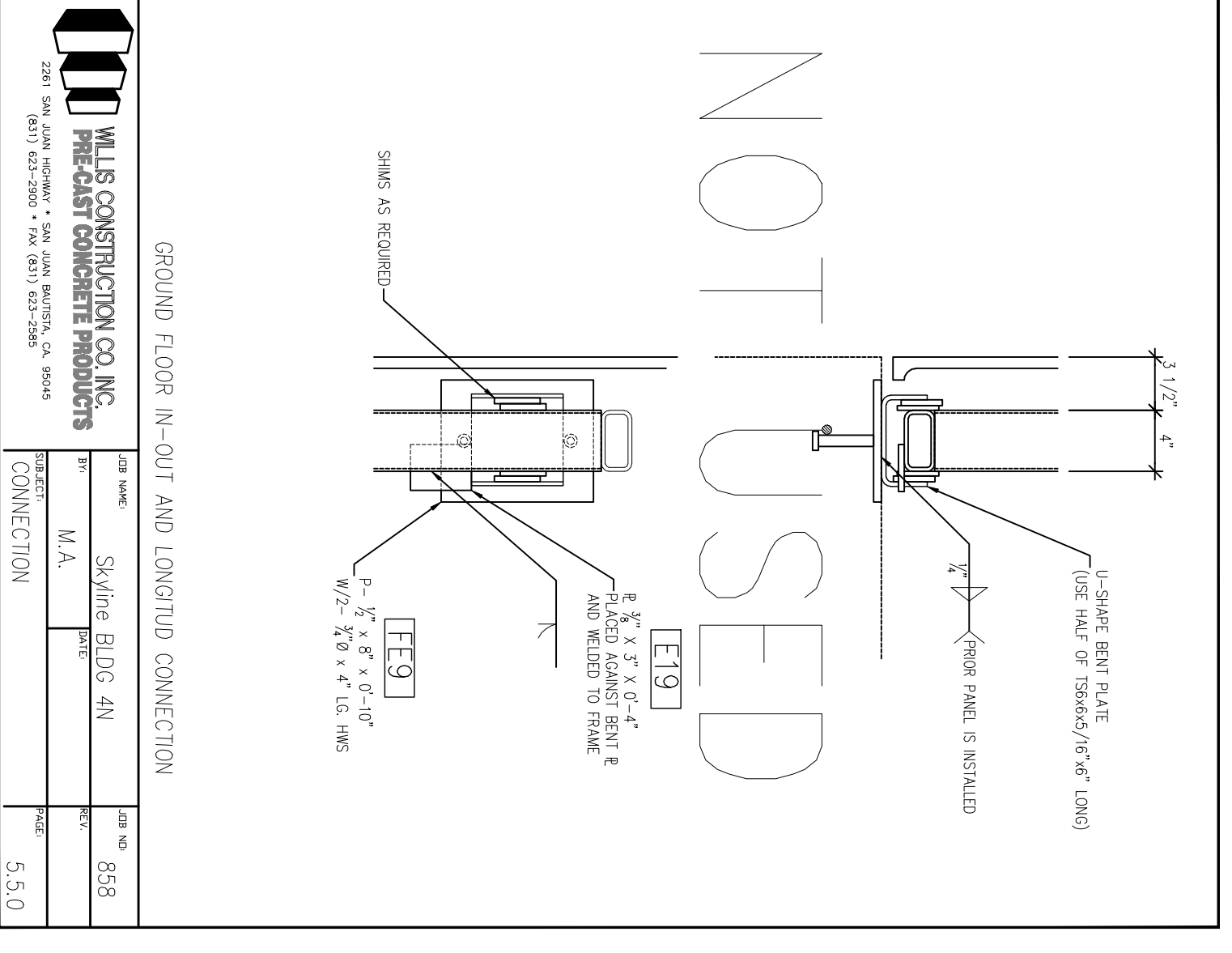
UPPER LEVEL IN-OUT AND LONGITUD CONNECTION
 SEE DESIGN ON 5.2
 5.1.0



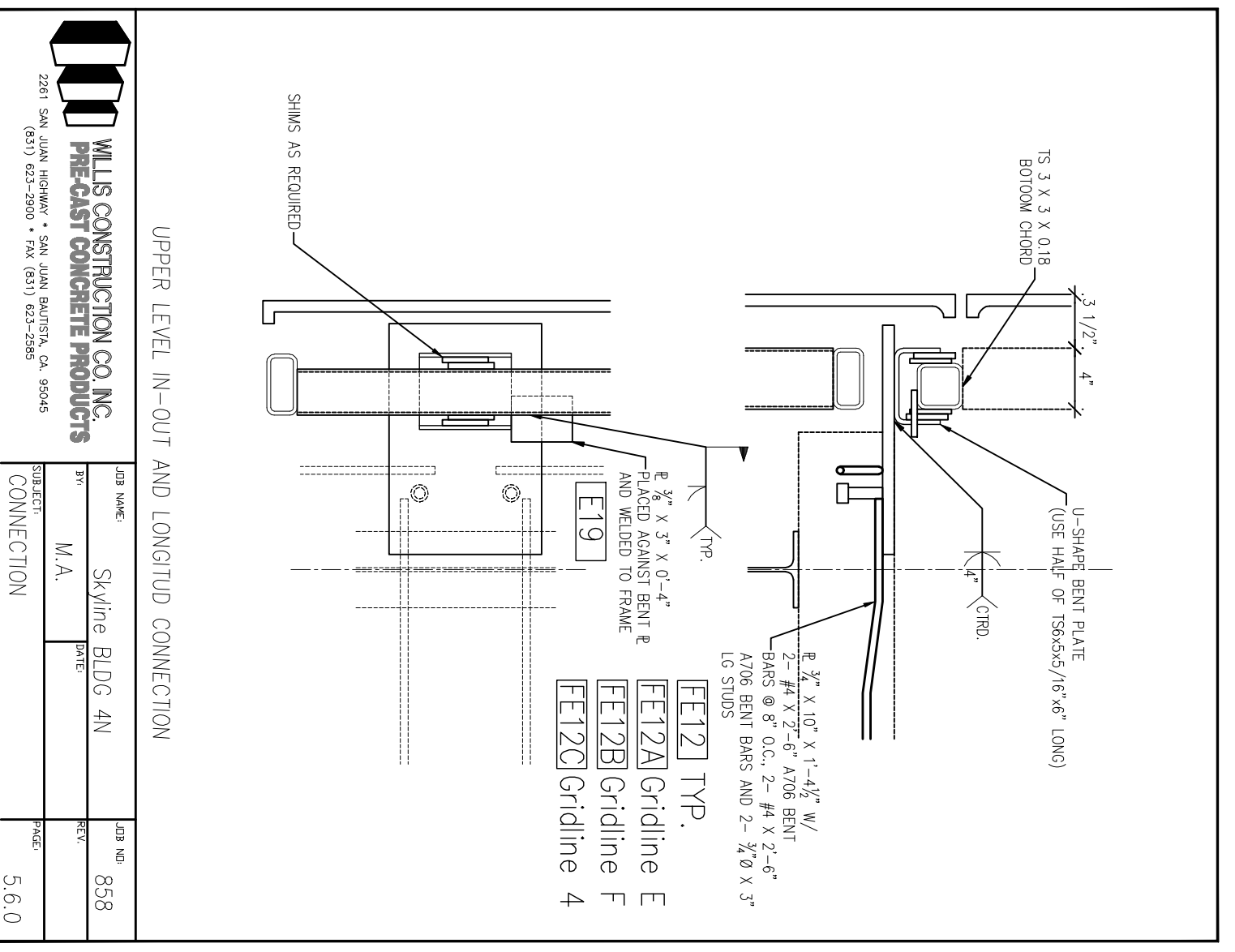
TYPICAL UPPER LEVEL PANEL IN-OUT AND LONGITUD CONNECTION
 5.2.0



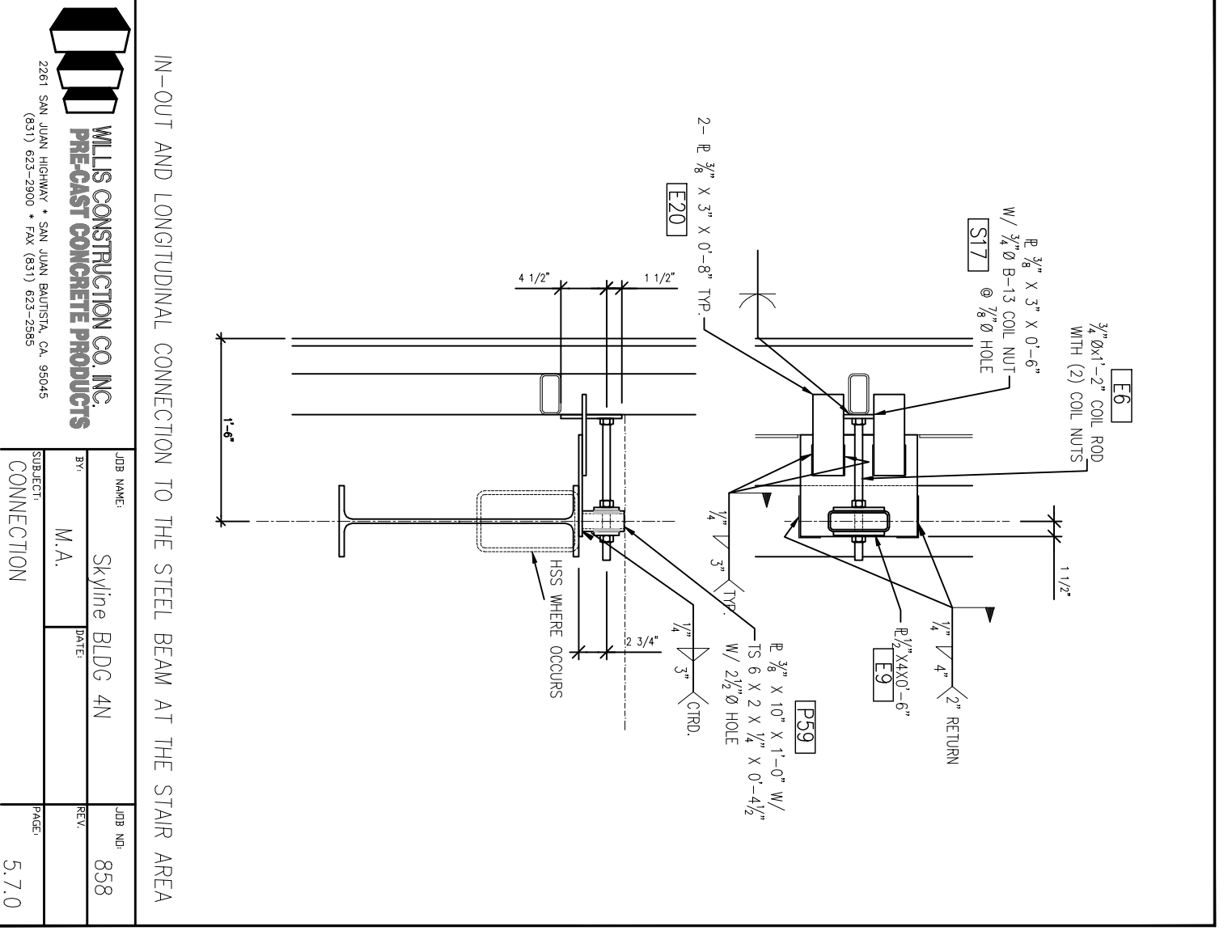
UPPER LEVEL IN-OUT AND LONGITUD CONNECTION
 5.4.0



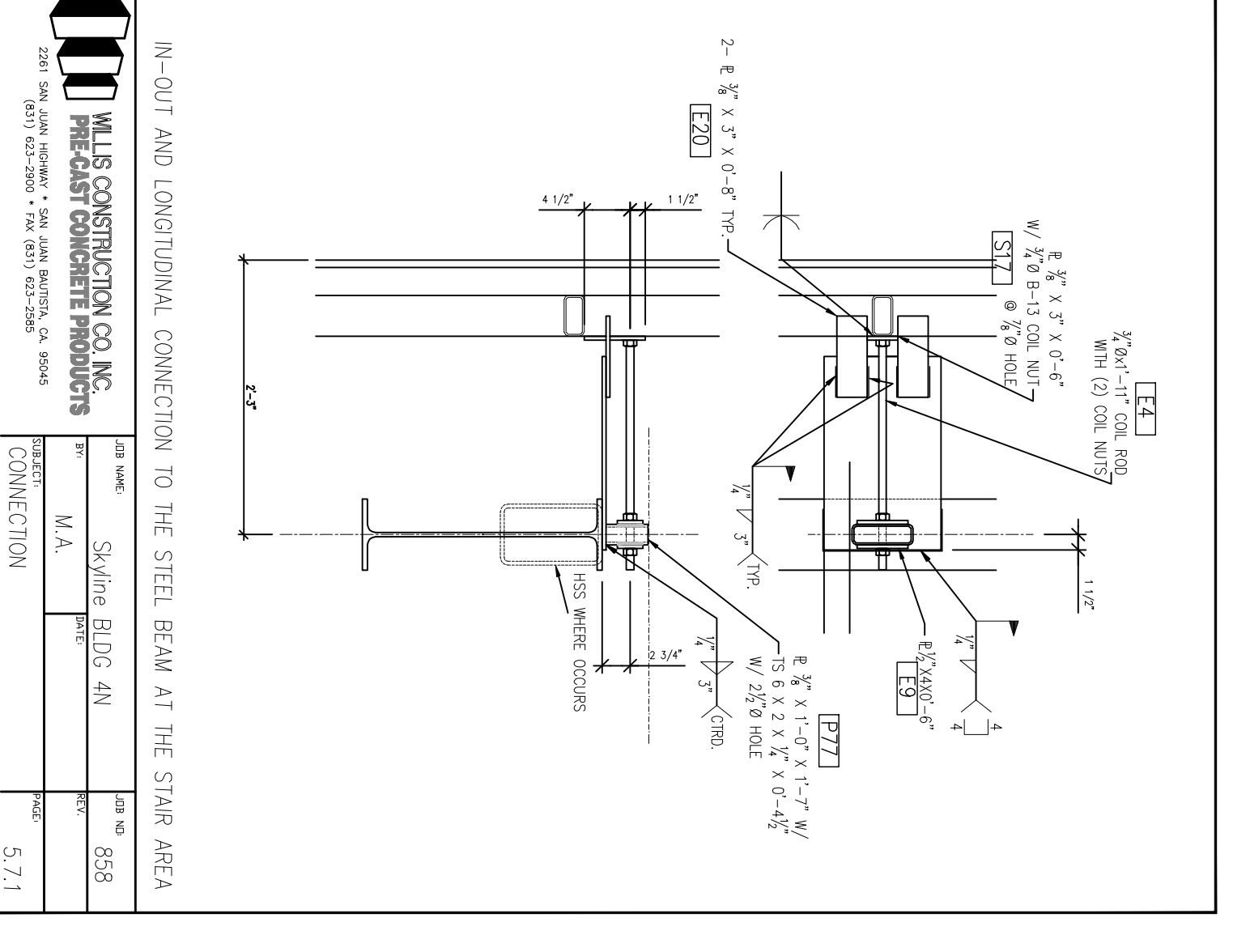
GROUND FLOOR IN-OUT AND LONGITUD CONNECTION
 5.5.0



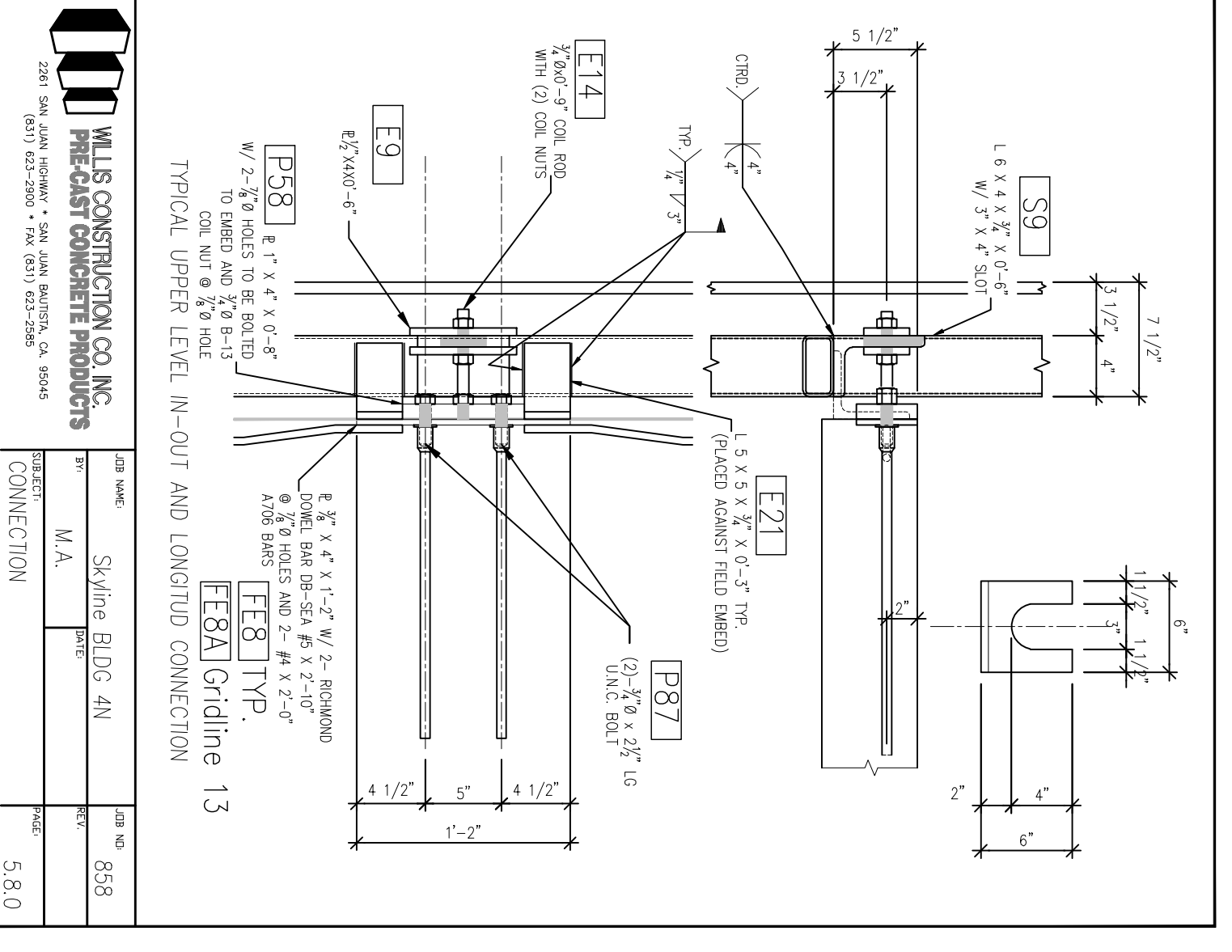
UPPER LEVEL IN-OUT AND LONGITUD CONNECTION
 5.6.0



IN-OUT AND LONGITUDINAL CONNECTION TO THE STEEL BEAM AT THE STAIR AREA
 5.7.0



IN-OUT AND LONGITUDINAL CONNECTION TO THE STEEL BEAM AT THE STAIR AREA
 5.7.1



TYPICAL UPPER LEVEL IN-OUT AND LONGITUD CONNECTION
 5.8.0

All drawings and notes are the property of Steinberg Architects and shall remain the confidential property of Steinberg Architects. No part of these drawings may be reproduced or transmitted in any form or by any means, electronic, mechanical, photocopying, recording, or by any information storage and retrieval system, without the prior written consent of Steinberg Architects.

These drawings are the property of Steinberg Architects and shall remain the confidential property of Steinberg Architects. No part of these drawings may be reproduced or transmitted in any form or by any means, electronic, mechanical, photocopying, recording, or by any information storage and retrieval system, without the prior written consent of Steinberg Architects.