

<b>WILIS CONSTRUCTION CO. INC.</b> 2281 SAN JUAN AVENUE • SAN JUAN BAPTIST CA 95045 (925) 423-2900 • FAX (925) 423-2948	<b>DATE:</b>
<b>REVISIONS:</b>	<b>DATE:</b>
1. 100% SCHEDULE DESIGN SUBMITTAL	02/08/09
2. 90% DESIGN DEVELOPMENT SUBMITTAL	02/18/09
3. 100% DESIGN DEVELOPMENT SUBMITTAL	02/26/09
4. PERMITS APPLICATION EVALUATION	02/26/09
5. PERMITS APPLICATION EVALUATION	10/09/09
6. PERMITS APPLICATION EVALUATION	11/11/09
7. STRUCTURAL & GFCI PANELS	02/11/10
8. STRUCTURAL & GFCI PANELS	02/11/10
9. STRUCTURAL & GFCI PANELS	02/11/10
10. STRUCTURAL & GFCI PANELS	02/11/10
11. STRUCTURAL & GFCI PANELS	02/11/10



DIVISION OF THE  
 STATE ARCHITECT  
 FILE # ARCH-  
 AC \_\_\_\_\_ RS \_\_\_\_\_  
 SSS \_\_\_\_\_ DMC \_\_\_\_\_  
 IDENTIFICATION  
 STAMP

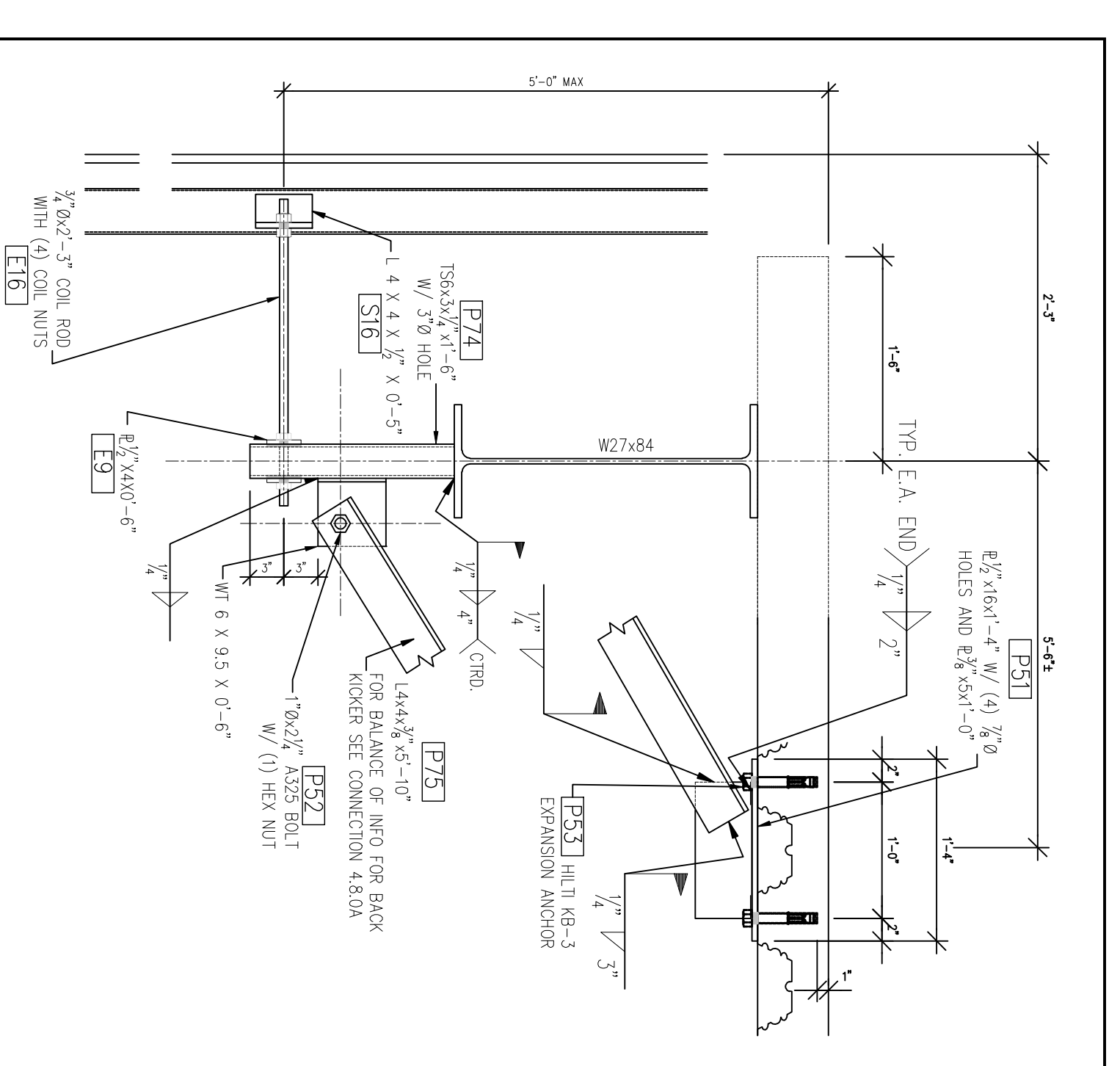
**SKYLINE COLLEGE**  
 SAN JUAN COUNTY  
 COMMUNITY COLLEGE  
 CIP2 DESIGN-BUILD  
 BUILDING 4  
 INCREMENT 2

PROJECT NO. 0712100  
 DRAWN BY: JCDCA  
 DATE: 04/08/09  
 CHECKED BY: \_\_\_\_\_

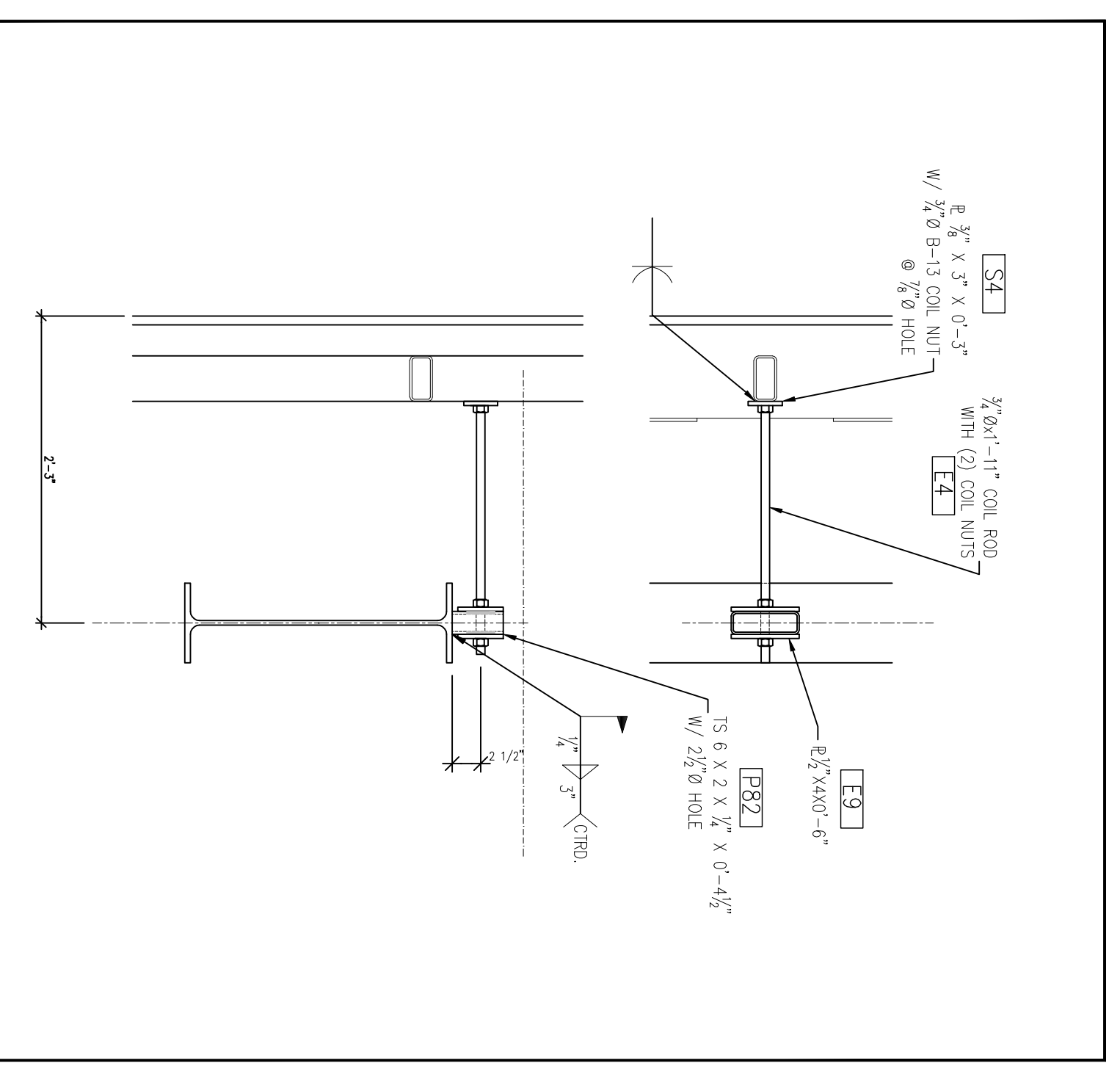
**CONNECTION**  
**DETAILS**

**AS BUILT DRAWINGS**  
**JANUARY 12, 2011**

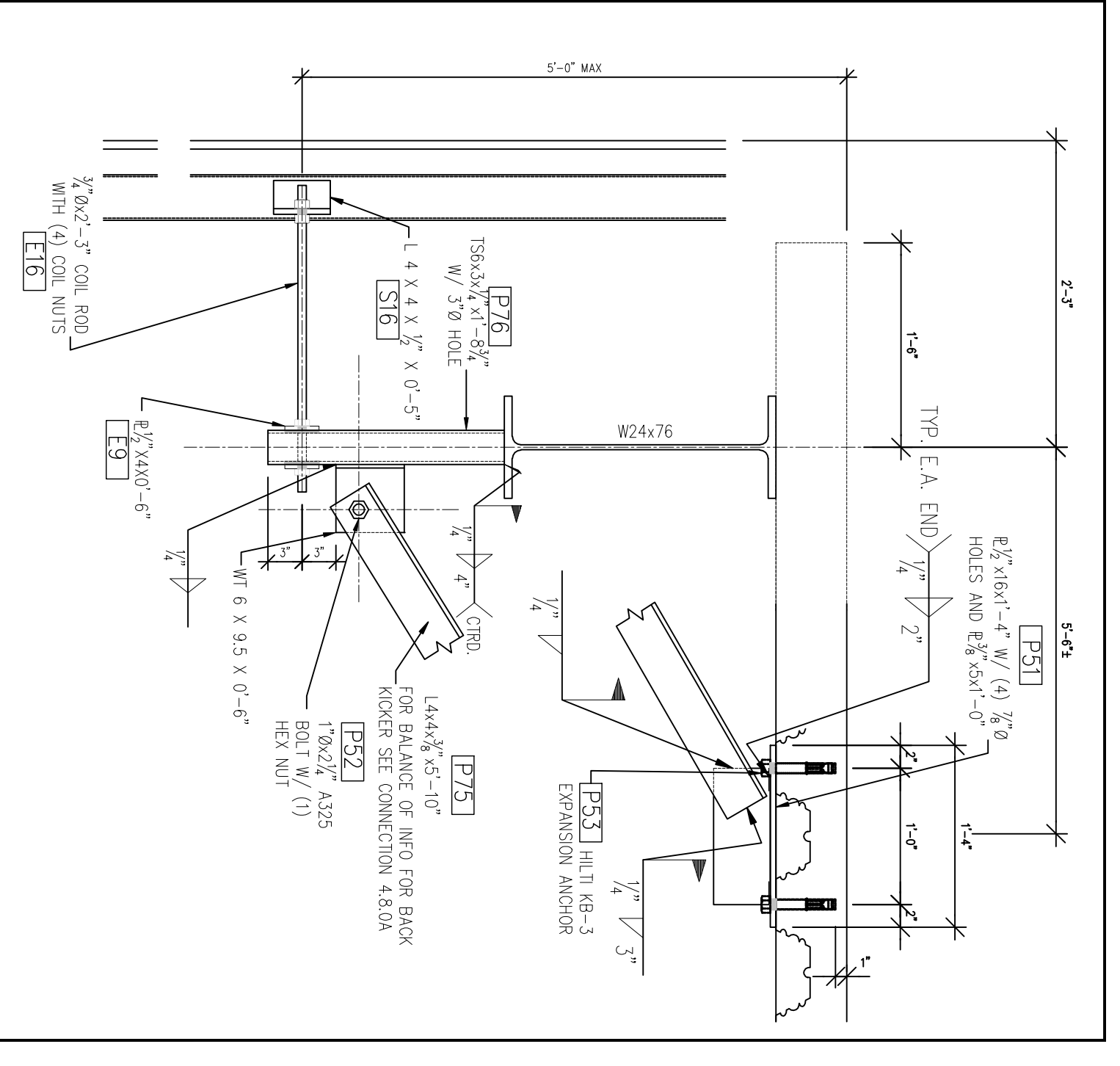
**PC-843**



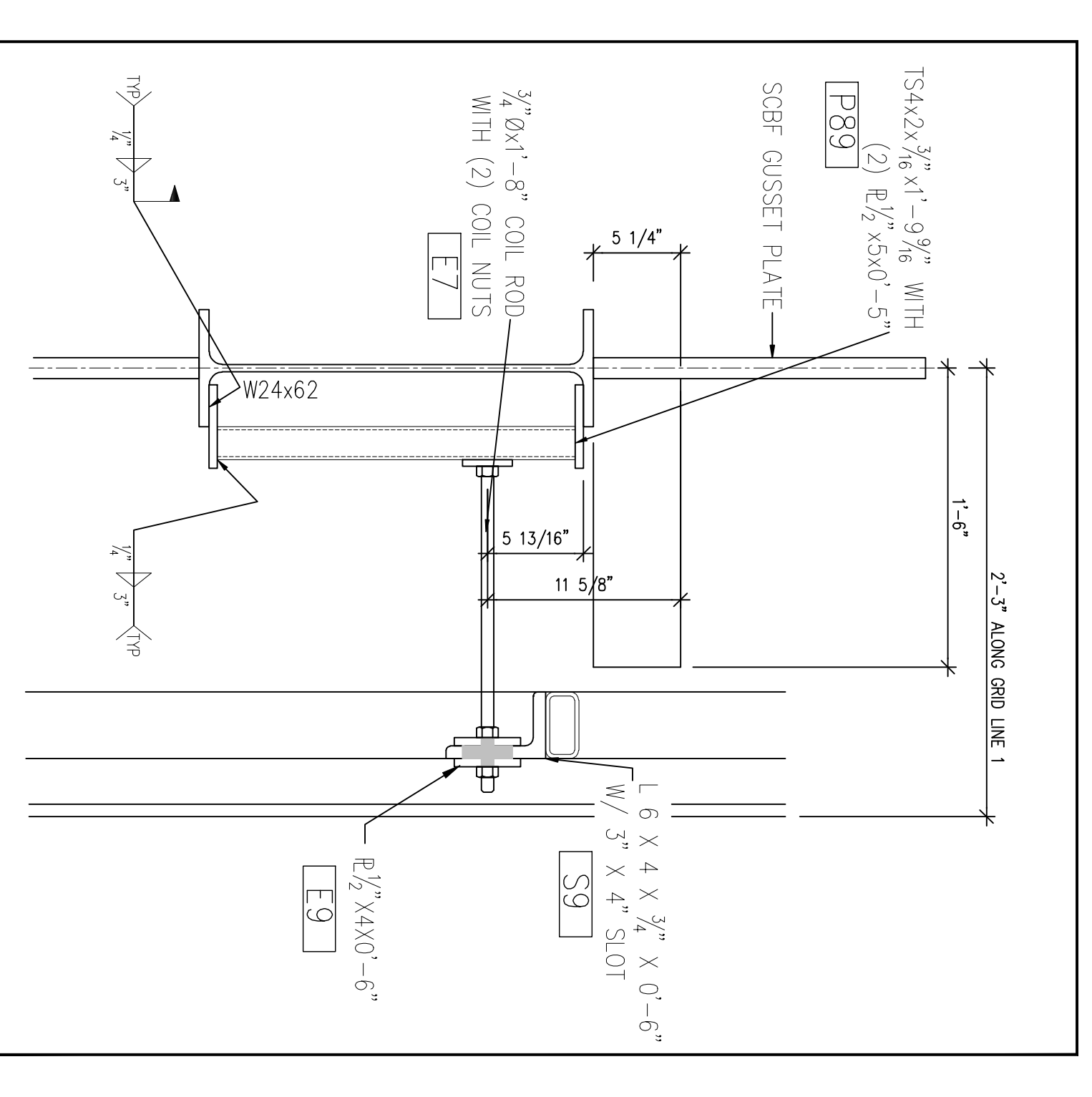
<b>WILIS CONSTRUCTION CO. INC.</b> <b>PRE-CAST CONCRETE PRODUCTS</b> 2281 SAN JUAN AVENUE • SAN JUAN BAPTIST CA 95045 (925) 423-2900 • FAX (925) 423-2948	<b>JOB NAME:</b> Skyline BLDG. 4N	<b>JOB NO.:</b> 858
<b>PROJECT:</b> M.A.	<b>DATE:</b> 12/01/09	<b>SCALE:</b> 4.26/0
<b>CONNECTION:</b>		



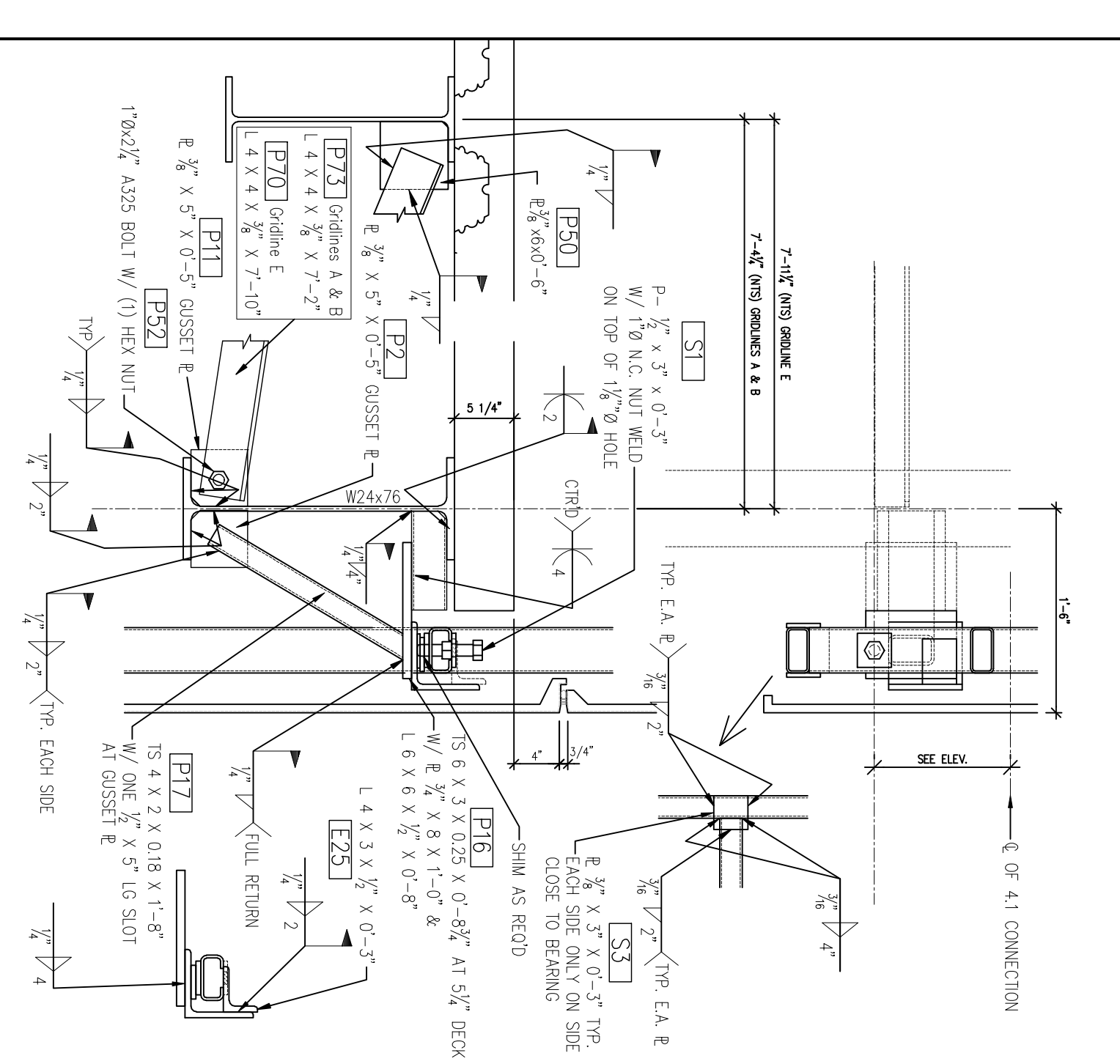
<b>WILIS CONSTRUCTION CO. INC.</b> <b>PRE-CAST CONCRETE PRODUCTS</b> 2281 SAN JUAN AVENUE • SAN JUAN BAPTIST CA 95045 (925) 423-2900 • FAX (925) 423-2948	<b>JOB NAME:</b> Skyline BLDG. 4N	<b>JOB NO.:</b> 858
<b>PROJECT:</b> M.A.	<b>DATE:</b> 12/01/09	<b>SCALE:</b> 4.27/0
<b>CONNECTION:</b>		



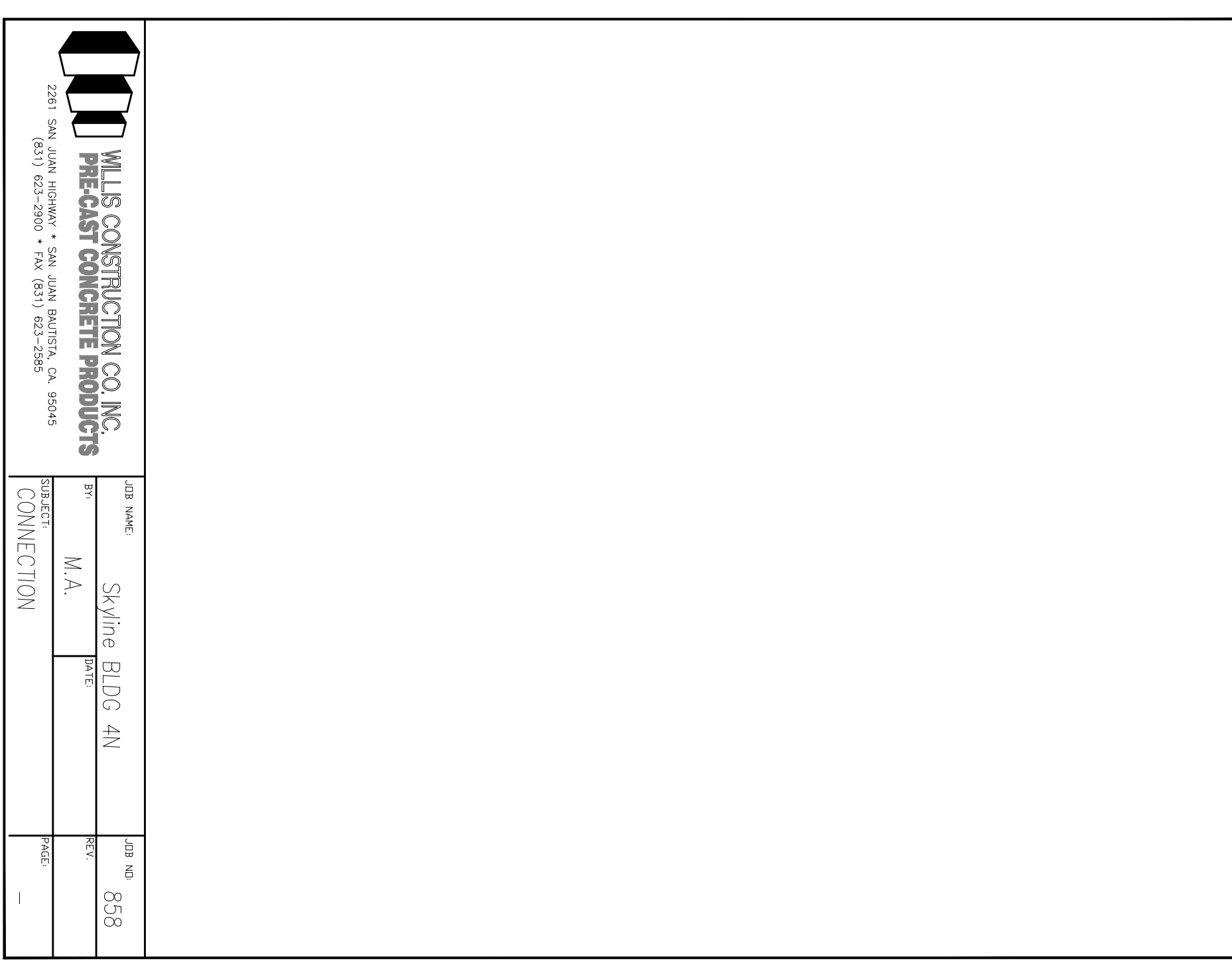
<b>WILIS CONSTRUCTION CO. INC.</b> <b>PRE-CAST CONCRETE PRODUCTS</b> 2281 SAN JUAN AVENUE • SAN JUAN BAPTIST CA 95045 (925) 423-2900 • FAX (925) 423-2948	<b>JOB NAME:</b> Skyline BLDG. 4N	<b>JOB NO.:</b> 858
<b>PROJECT:</b> M.A.	<b>DATE:</b> 12/01/09	<b>SCALE:</b> 4.28/0
<b>CONNECTION:</b>		



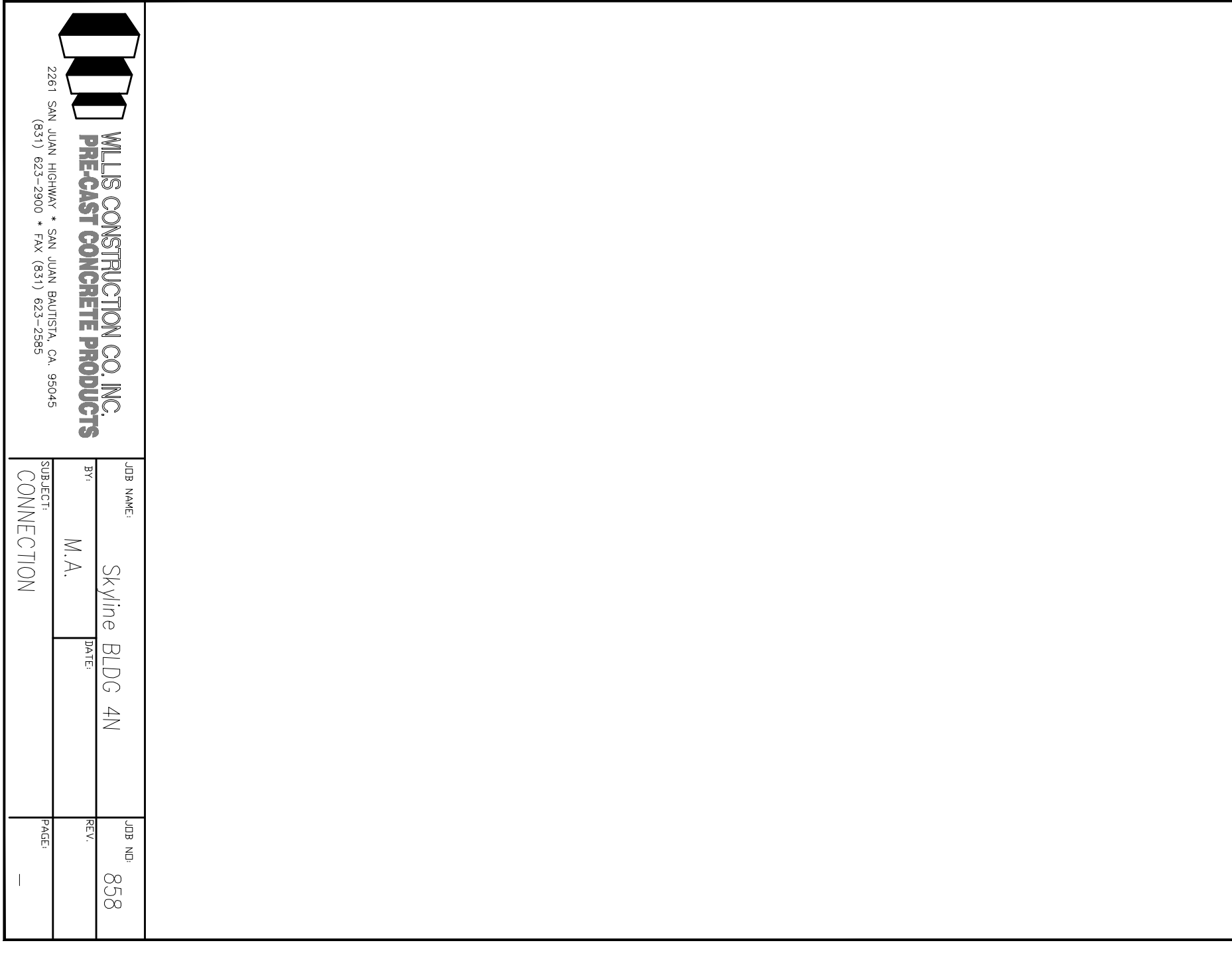
<b>WILIS CONSTRUCTION CO. INC.</b> <b>PRE-CAST CONCRETE PRODUCTS</b> 2281 SAN JUAN AVENUE • SAN JUAN BAPTIST CA 95045 (925) 423-2900 • FAX (925) 423-2948	<b>JOB NAME:</b> Skyline BLDG. 4N	<b>JOB NO.:</b> 858
<b>PROJECT:</b> M.A.	<b>DATE:</b> 12/01/09	<b>SCALE:</b> 4.29/0
<b>CONNECTION:</b>		



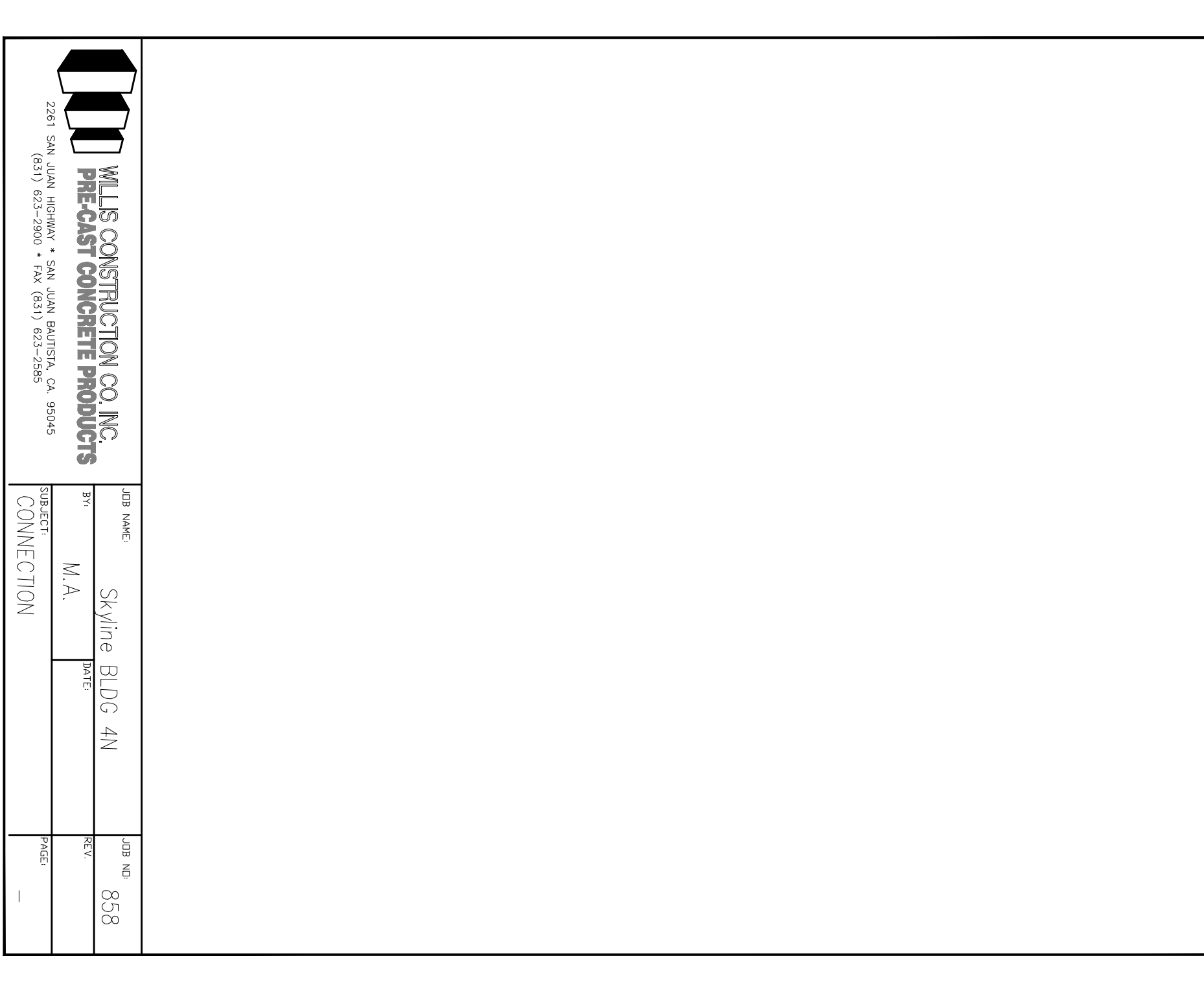
<b>WILIS CONSTRUCTION CO. INC.</b> <b>PRE-CAST CONCRETE PRODUCTS</b> 2281 SAN JUAN AVENUE • SAN JUAN BAPTIST CA 95045 (925) 423-2900 • FAX (925) 423-2948	<b>JOB NAME:</b> Skyline BLDG. 4N	<b>JOB NO.:</b> 858
<b>PROJECT:</b> M.A.	<b>DATE:</b> 12/01/09	<b>SCALE:</b> 4.30/0
<b>CONNECTION:</b>		



<b>WILIS CONSTRUCTION CO. INC.</b> <b>PRE-CAST CONCRETE PRODUCTS</b> 2281 SAN JUAN AVENUE • SAN JUAN BAPTIST CA 95045 (925) 423-2900 • FAX (925) 423-2948	<b>JOB NAME:</b> Skyline BLDG. 4N	<b>JOB NO.:</b> 858
<b>PROJECT:</b> M.A.	<b>DATE:</b> 12/01/09	<b>SCALE:</b> 4.27/0
<b>CONNECTION:</b>		



<b>WILIS CONSTRUCTION CO. INC.</b> <b>PRE-CAST CONCRETE PRODUCTS</b> 2281 SAN JUAN AVENUE • SAN JUAN BAPTIST CA 95045 (925) 423-2900 • FAX (925) 423-2948	<b>JOB NAME:</b> Skyline BLDG. 4N	<b>JOB NO.:</b> 858
<b>PROJECT:</b> M.A.	<b>DATE:</b> 12/01/09	<b>SCALE:</b> 4.28/0
<b>CONNECTION:</b>		



<b>WILIS CONSTRUCTION CO. INC.</b> <b>PRE-CAST CONCRETE PRODUCTS</b> 2281 SAN JUAN AVENUE • SAN JUAN BAPTIST CA 95045 (925) 423-2900 • FAX (925) 423-2948	<b>JOB NAME:</b> Skyline BLDG. 4N	<b>JOB NO.:</b> 858
<b>PROJECT:</b> M.A.	<b>DATE:</b> 12/01/09	<b>SCALE:</b> 4.29/0
<b>CONNECTION:</b>		