

WILIS CONSTRUCTION CO. INC.
 PRE-CAST CONCRETE PRODUCTS
 2281 SAN JUAN AVENUE • SAN JUAN BAPTIST, CALIFORNIA 95045
 (925) 423-2900 • FAX (925) 523-2586

NO.	REVISIONS	DATE
1	100% SUBMITTAL DESIGN SUBMITTAL	02/20/10
2	90% DESIGN DEVELOPMENT SUBMITTAL	02/20/10
3	100% DESIGN DEVELOPMENT SUBMITTAL	02/20/10
4	FINAL DESIGN DEVELOPMENT SUBMITTAL	02/20/10
5	PERMIT APPLICATION EVALUATION	10/09/09
6	PERMITS	11/19/09
7	PERMITS	02/10/10
8	PERMITS	02/10/10
9	PERMITS	02/10/10
10	PERMITS	02/10/10
11	PERMITS	02/10/10

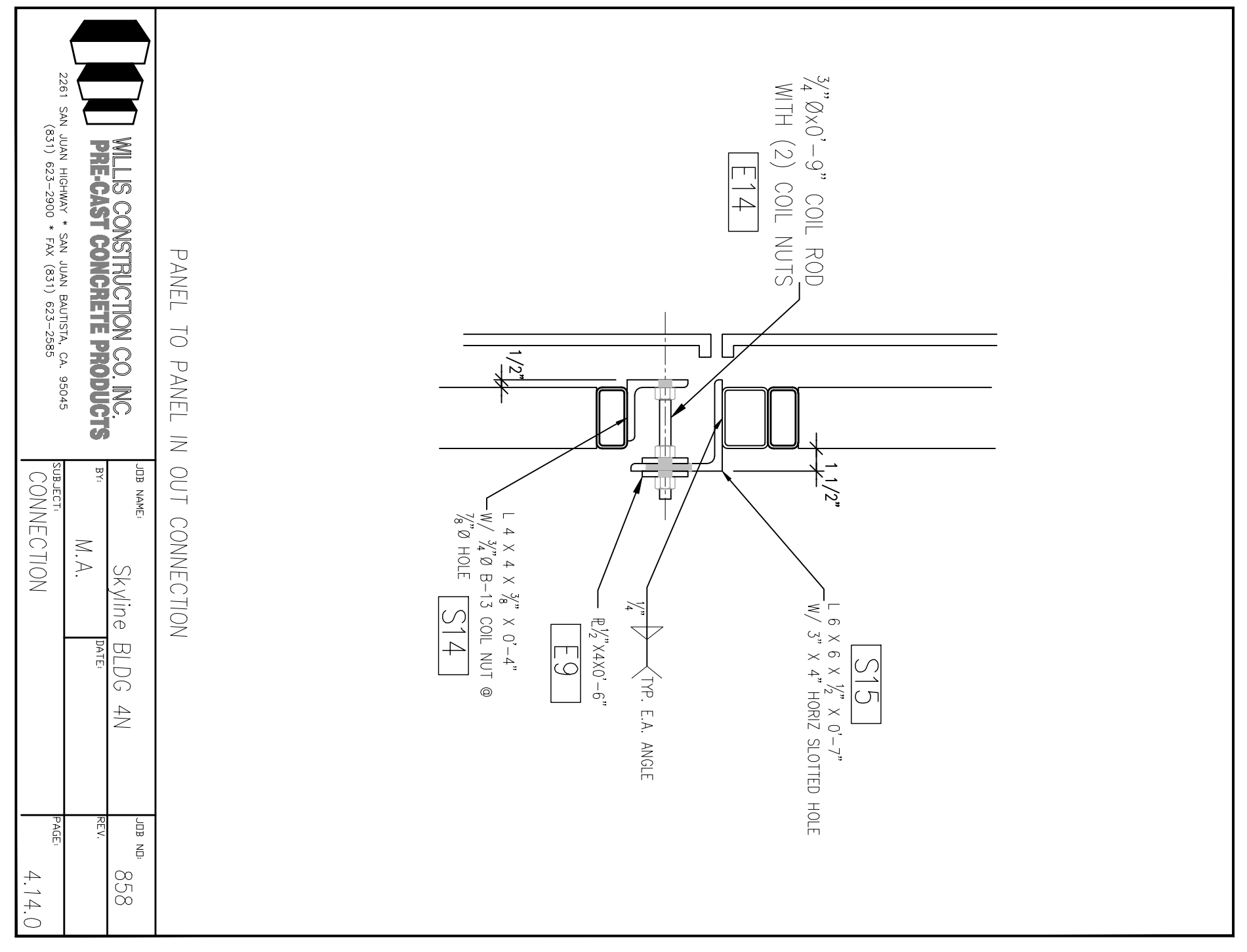


DIVISION OF THE
 STATE ARCHITECT
 APPL # 01-10117
 FILE # ARCH
 AG _____ RS _____
 SSS _____ DNE _____
 IDENTIFICATION
 STAMP

SKYLINE COLLEGE
 SAN JUAN COUNTY
 COMMUNITY COLLEGE
 DESIGN
CIP2 DESIGN-BUILD
PROJECT
BUILDING 4
INCREMENT 2

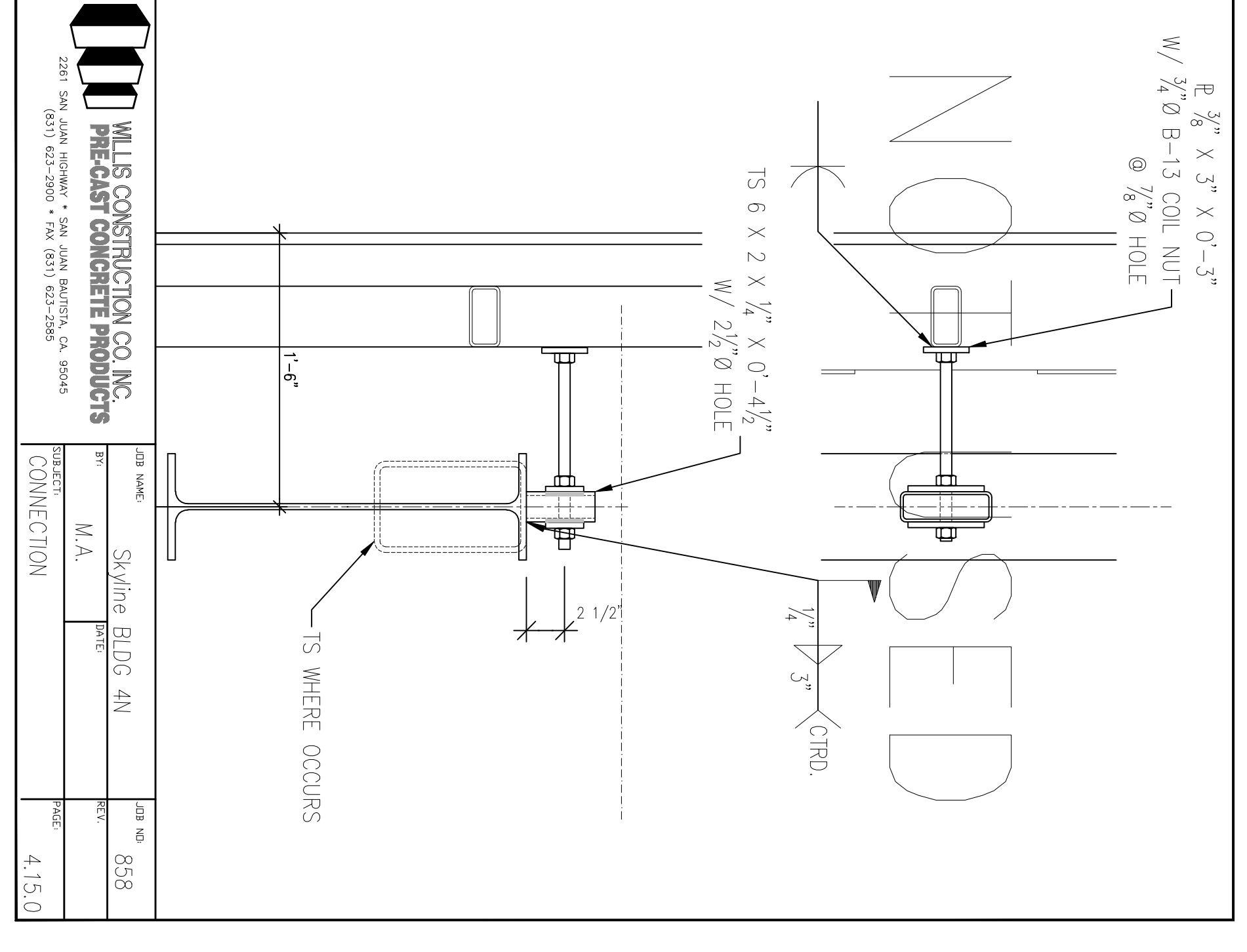
CONNECTION
DETAILS
AS BUILT DRAWINGS
JANUARY 12, 2011

PC-841



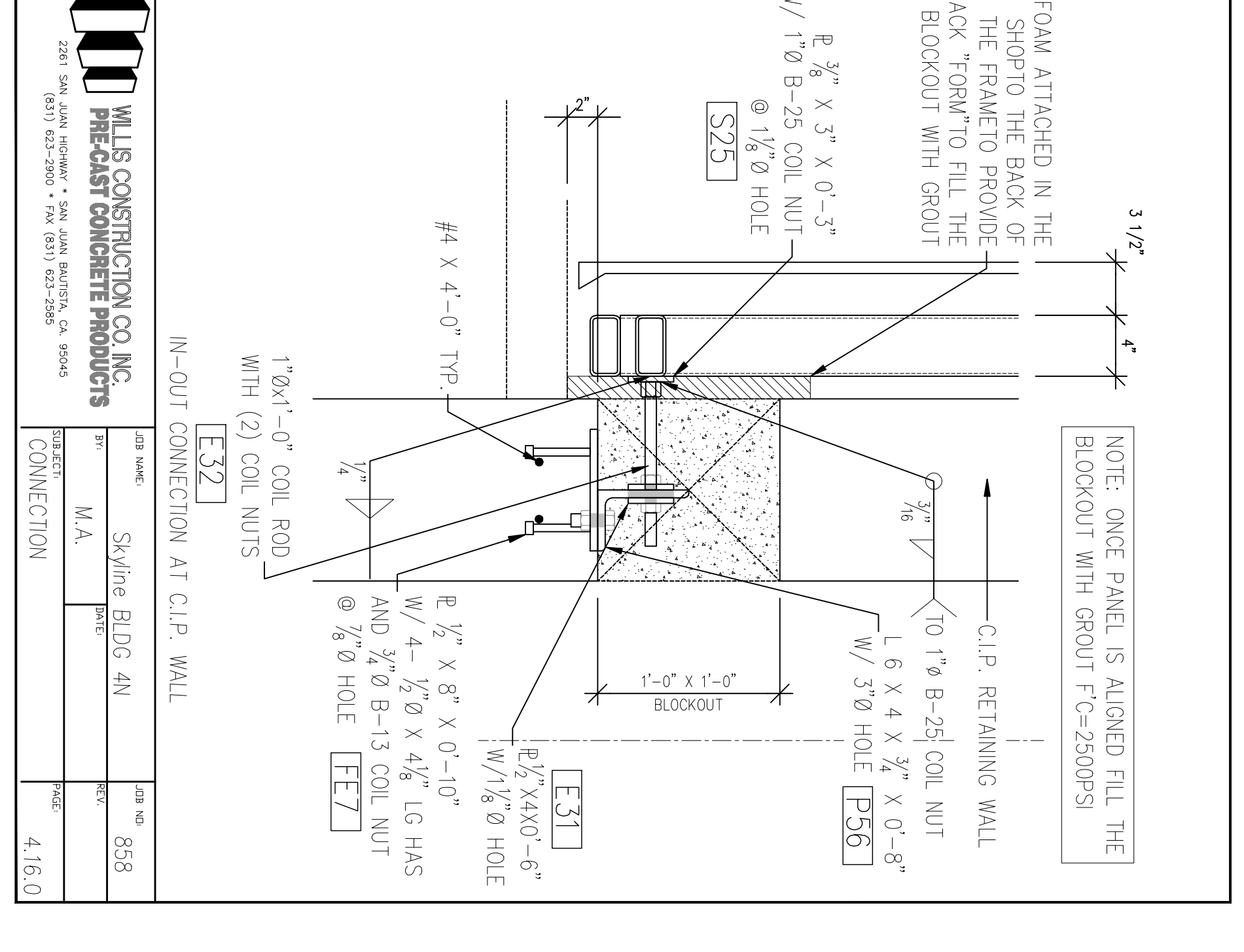
WILIS CONSTRUCTION CO. INC.
 PRE-CAST CONCRETE PRODUCTS
 2281 SAN JUAN AVENUE • SAN JUAN BAPTIST, CALIFORNIA 95045
 (925) 423-2900 • FAX (925) 523-2586

JOB NAME	PROJECT	DATE
Skyline Bldg. 4N	M.A.	8/58
CONNECTION		4.14.0



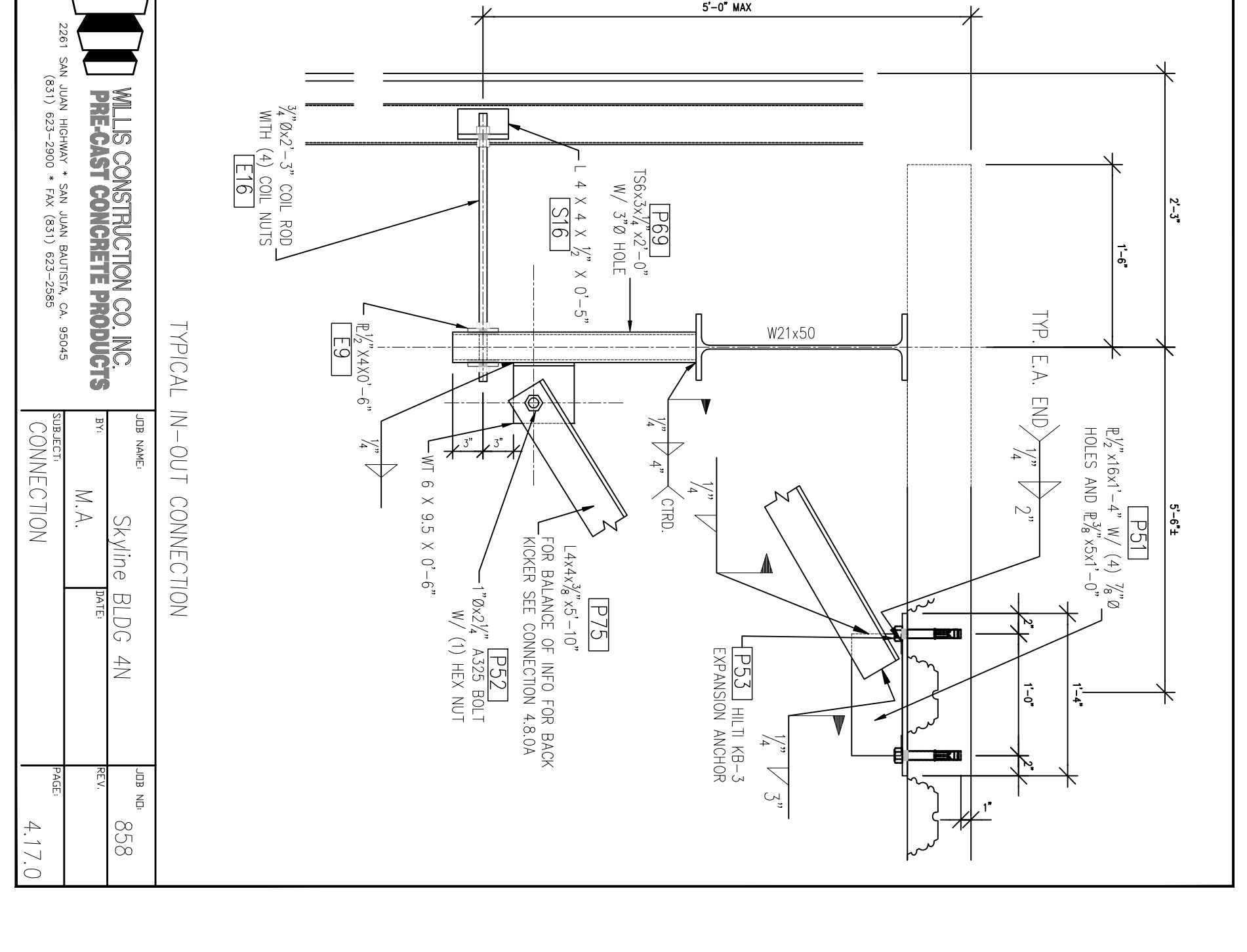
WILIS CONSTRUCTION CO. INC.
 PRE-CAST CONCRETE PRODUCTS
 2281 SAN JUAN AVENUE • SAN JUAN BAPTIST, CALIFORNIA 95045
 (925) 423-2900 • FAX (925) 523-2586

JOB NAME	PROJECT	DATE
Skyline Bldg. 4N	M.A.	8/58
CONNECTION		4.15.0



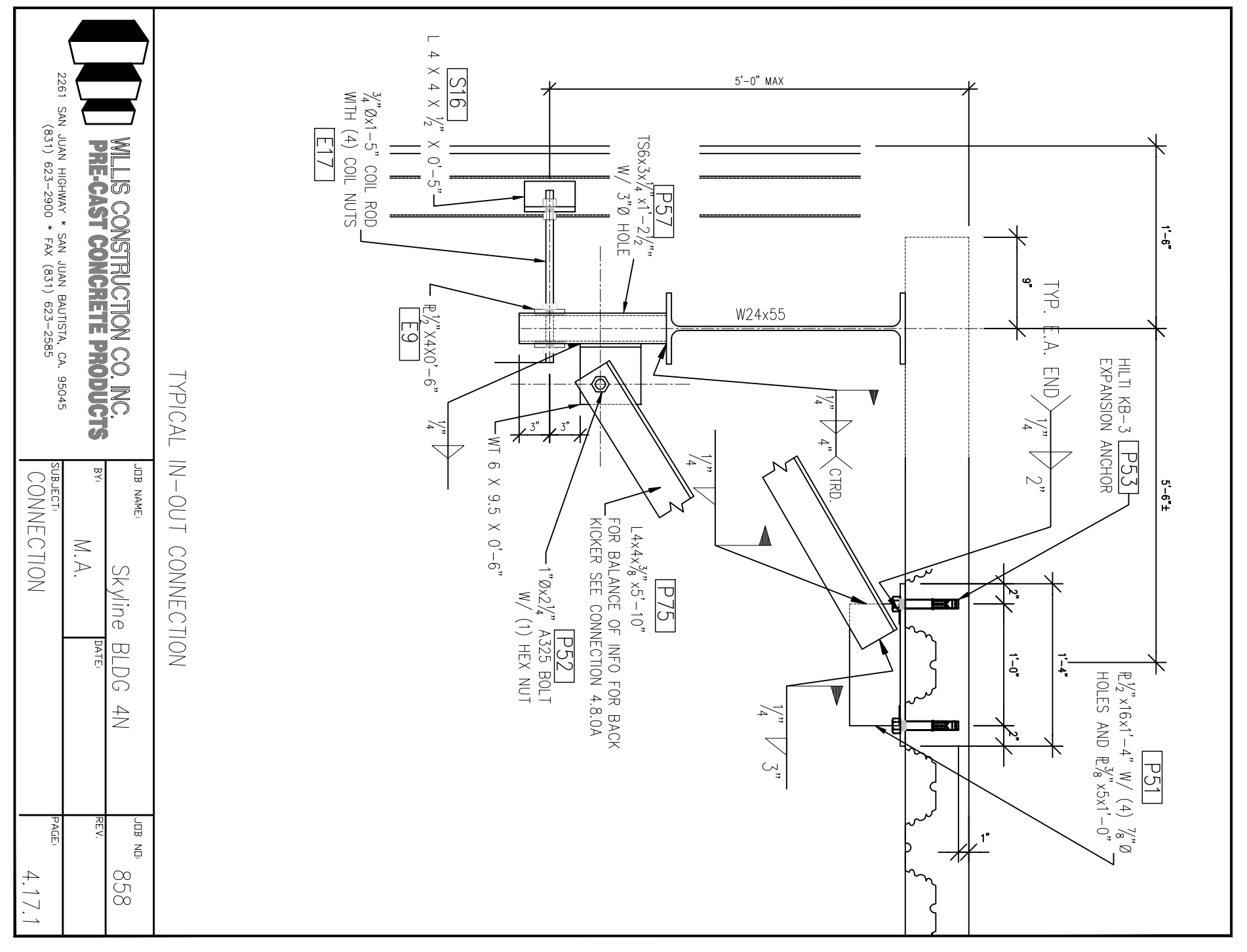
WILIS CONSTRUCTION CO. INC.
 PRE-CAST CONCRETE PRODUCTS
 2281 SAN JUAN AVENUE • SAN JUAN BAPTIST, CALIFORNIA 95045
 (925) 423-2900 • FAX (925) 523-2586

JOB NAME	PROJECT	DATE
Skyline Bldg. 4N	M.A.	8/58
CONNECTION		4.16.0



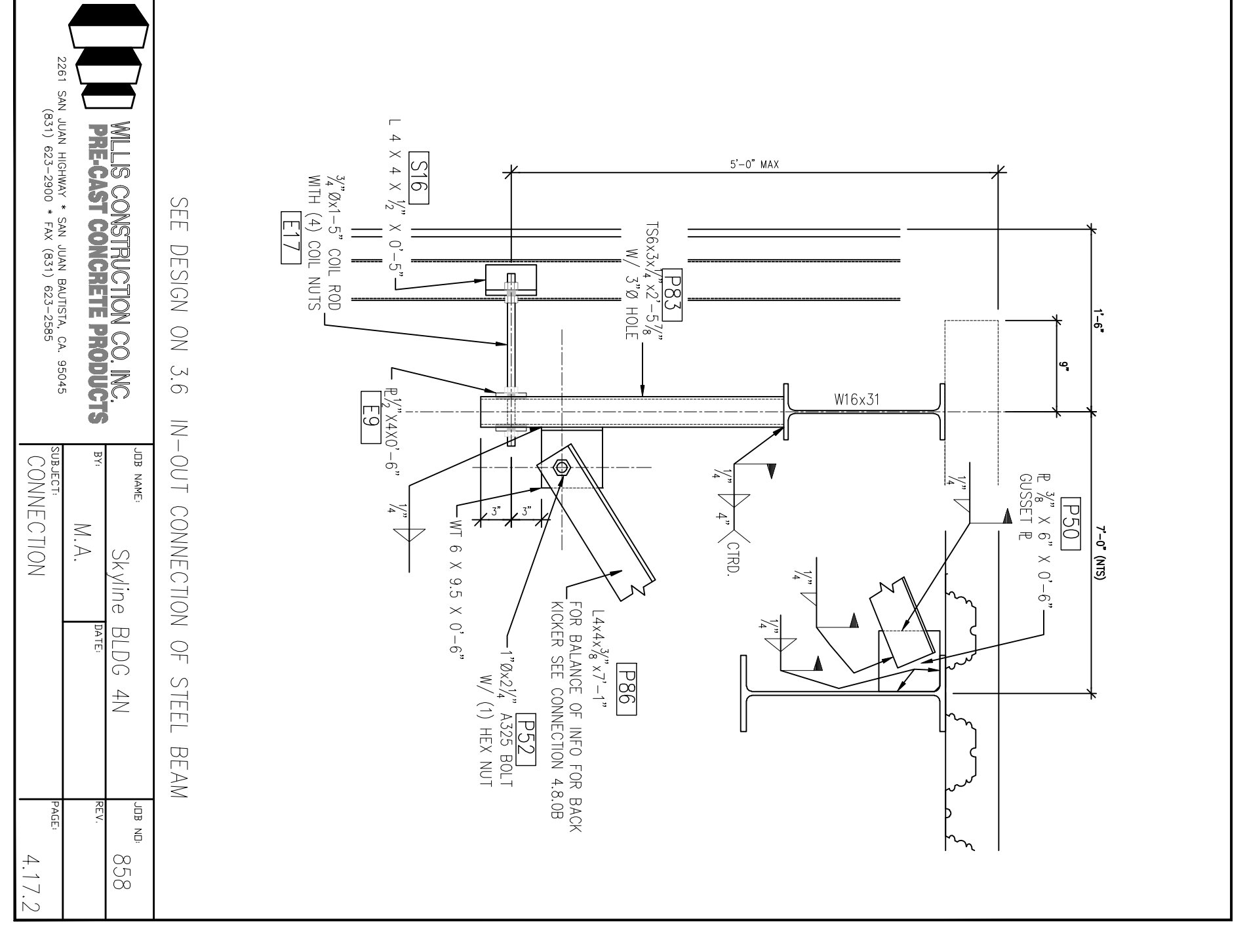
WILIS CONSTRUCTION CO. INC.
 PRE-CAST CONCRETE PRODUCTS
 2281 SAN JUAN AVENUE • SAN JUAN BAPTIST, CALIFORNIA 95045
 (925) 423-2900 • FAX (925) 523-2586

JOB NAME	PROJECT	DATE
Skyline Bldg. 4N	M.A.	8/58
CONNECTION		4.17.0



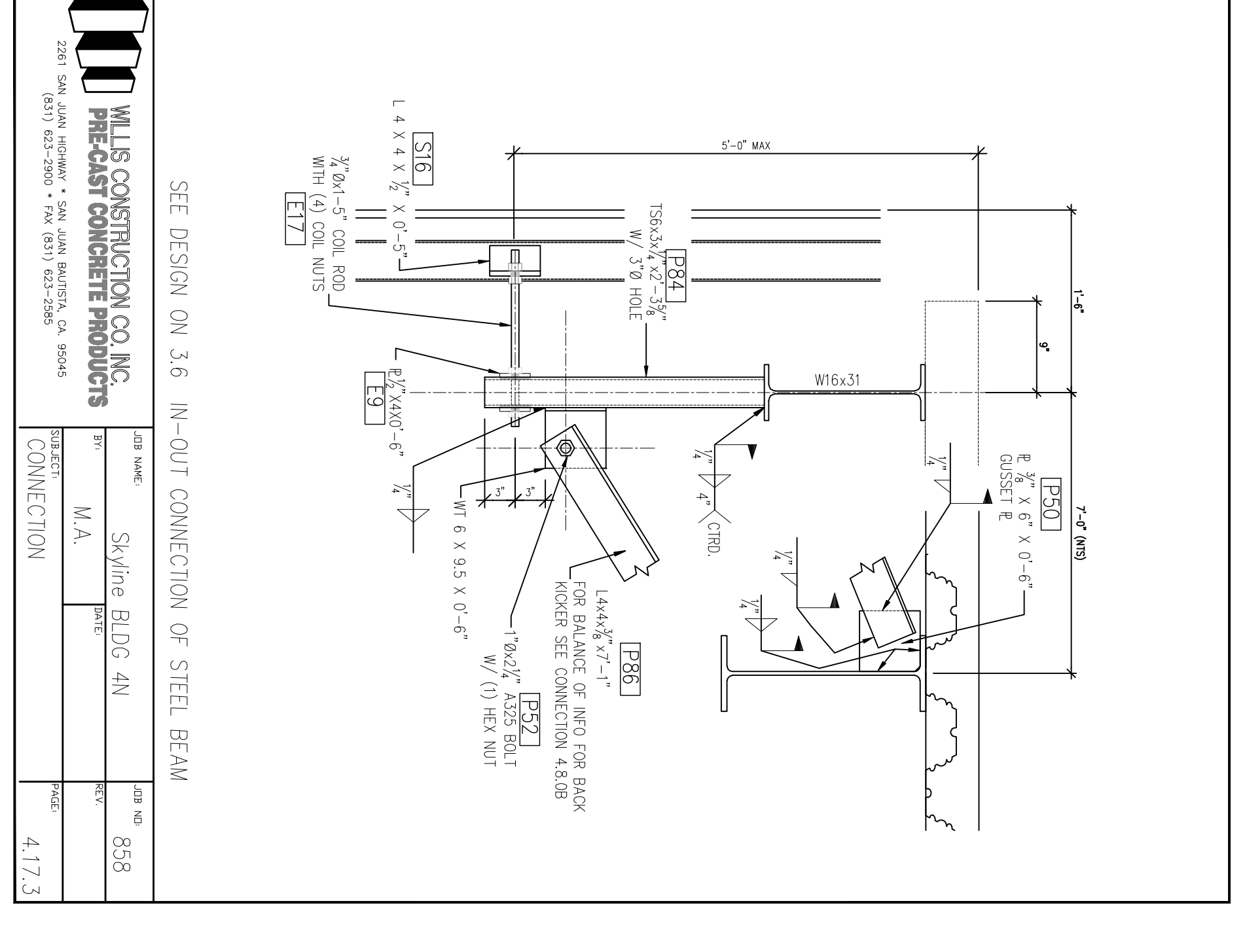
WILIS CONSTRUCTION CO. INC.
 PRE-CAST CONCRETE PRODUCTS
 2281 SAN JUAN AVENUE • SAN JUAN BAPTIST, CALIFORNIA 95045
 (925) 423-2900 • FAX (925) 523-2586

JOB NAME	PROJECT	DATE
Skyline Bldg. 4N	M.A.	8/58
CONNECTION		4.17.1



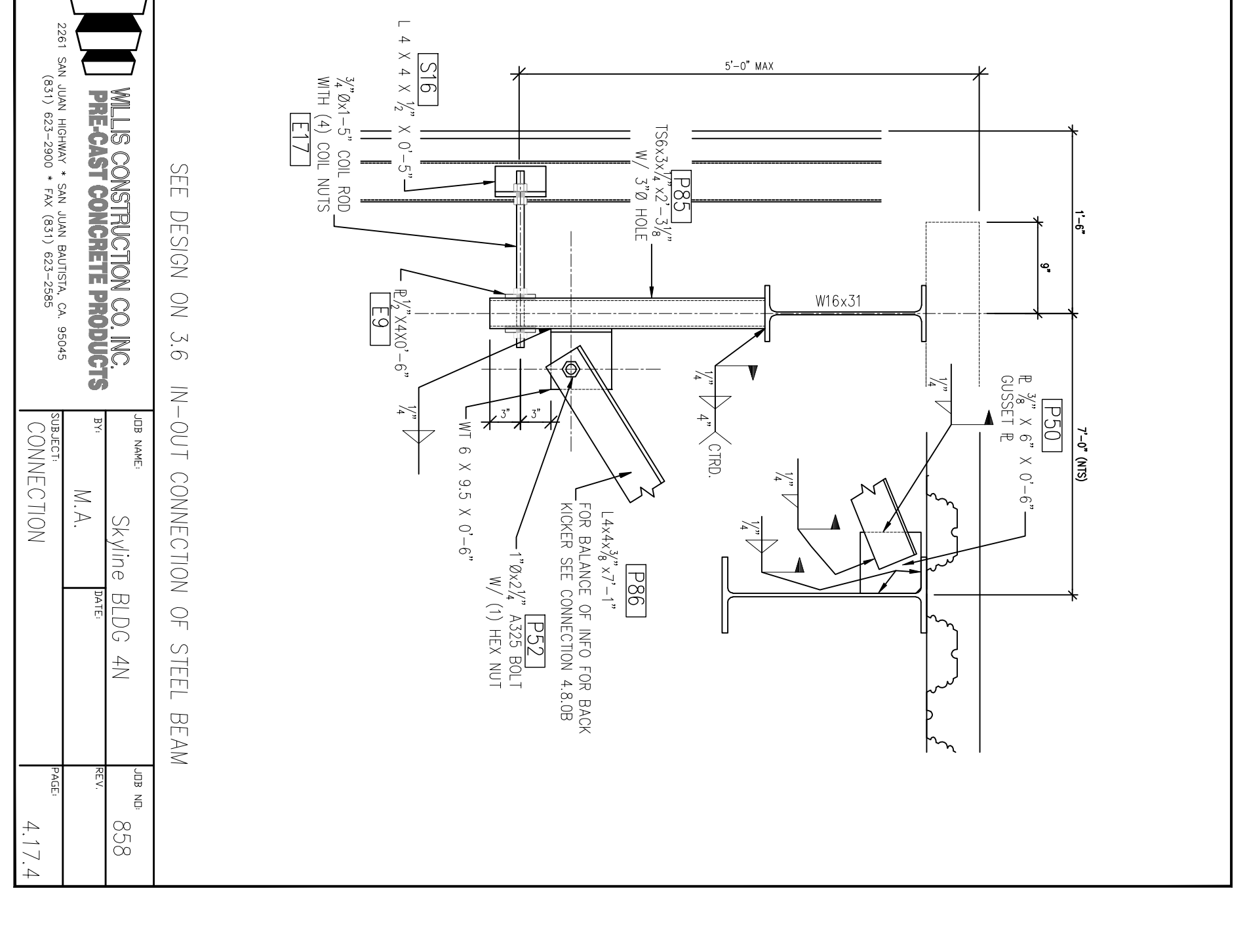
WILIS CONSTRUCTION CO. INC.
 PRE-CAST CONCRETE PRODUCTS
 2281 SAN JUAN AVENUE • SAN JUAN BAPTIST, CALIFORNIA 95045
 (925) 423-2900 • FAX (925) 523-2586

JOB NAME	PROJECT	DATE
Skyline Bldg. 4N	M.A.	8/58
CONNECTION		4.17.2



WILIS CONSTRUCTION CO. INC.
 PRE-CAST CONCRETE PRODUCTS
 2281 SAN JUAN AVENUE • SAN JUAN BAPTIST, CALIFORNIA 95045
 (925) 423-2900 • FAX (925) 523-2586

JOB NAME	PROJECT	DATE
Skyline Bldg. 4N	M.A.	8/58
CONNECTION		4.17.3



WILIS CONSTRUCTION CO. INC.
 PRE-CAST CONCRETE PRODUCTS
 2281 SAN JUAN AVENUE • SAN JUAN BAPTIST, CALIFORNIA 95045
 (925) 423-2900 • FAX (925) 523-2586

JOB NAME	PROJECT	DATE
Skyline Bldg. 4N	M.A.	8/58
CONNECTION		4.17.4

All drawings and details are the property of Hensel Phelps Construction Co. and shall remain the property of Hensel Phelps Construction Co. if not returned to Hensel Phelps Construction Co. within 30 days of completion of the project.

This drawing is not to be used for any other project without the written consent of Hensel Phelps Construction Co. If used for any other project, the user shall be responsible for obtaining the necessary permits and approvals.