

NO.	REVISIONS	DATE
1	100% SCHEDULED DESIGN SUBMITTAL	02/08/08
2	90% DESIGN DEVELOPMENT SUBMITTAL	03/20/08
3	100% DESIGN DEVELOPMENT SUBMITTAL	03/20/08
4	FINAL DESIGN DEVELOPMENT SUBMITTAL	03/20/08
5	PERMIT APPLICATION EVALUATION	03/20/08
6	PERMIT REVIEW #2	03/20/08
7	PERMIT REVIEW #3	03/20/08
8	STRUCTURAL & CIVIL PANELS	11/11/08
9	REVISION #1	03/11/09
10	REVISION #2	03/11/09
11	REVISION #3	03/11/09



DIVISION OF THE
 STATE ARCHITECT
 APPL # 01-110117
 FILE # ARCH
 AC _____ RS _____
 SSS _____ DWE _____
 IDENTIFICATION
 STAMP

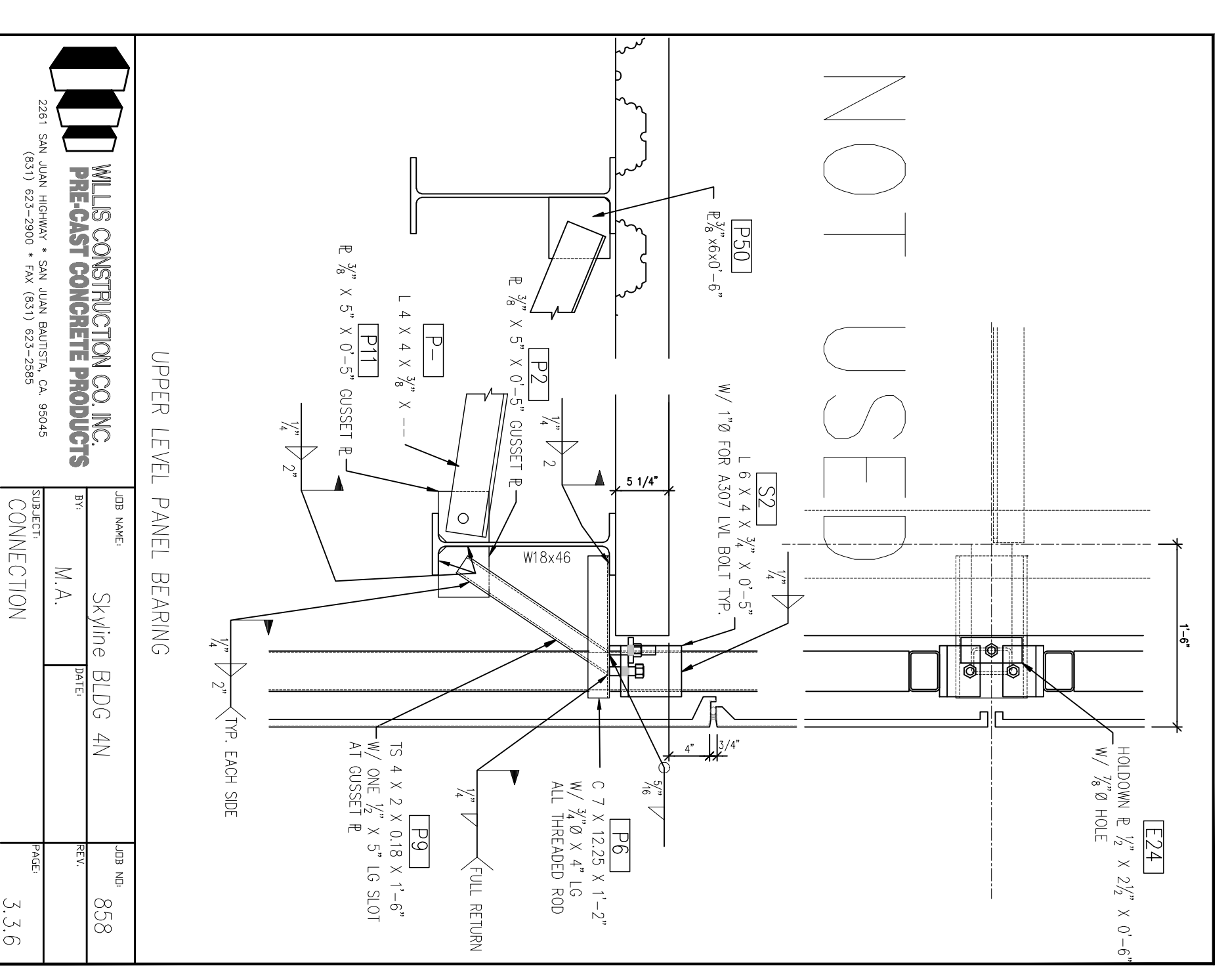
SKYLINE COLLEGE
 SAN MATEO COUNTY
 COMMUNITY COLLEGE
 ORIGIN
CIP2 DESIGN-BUILD
PROJECT BUILDING 4
INCREMENT 2
 STRUCTURE

SHEET TITLE
CONNECTION
DETAILS

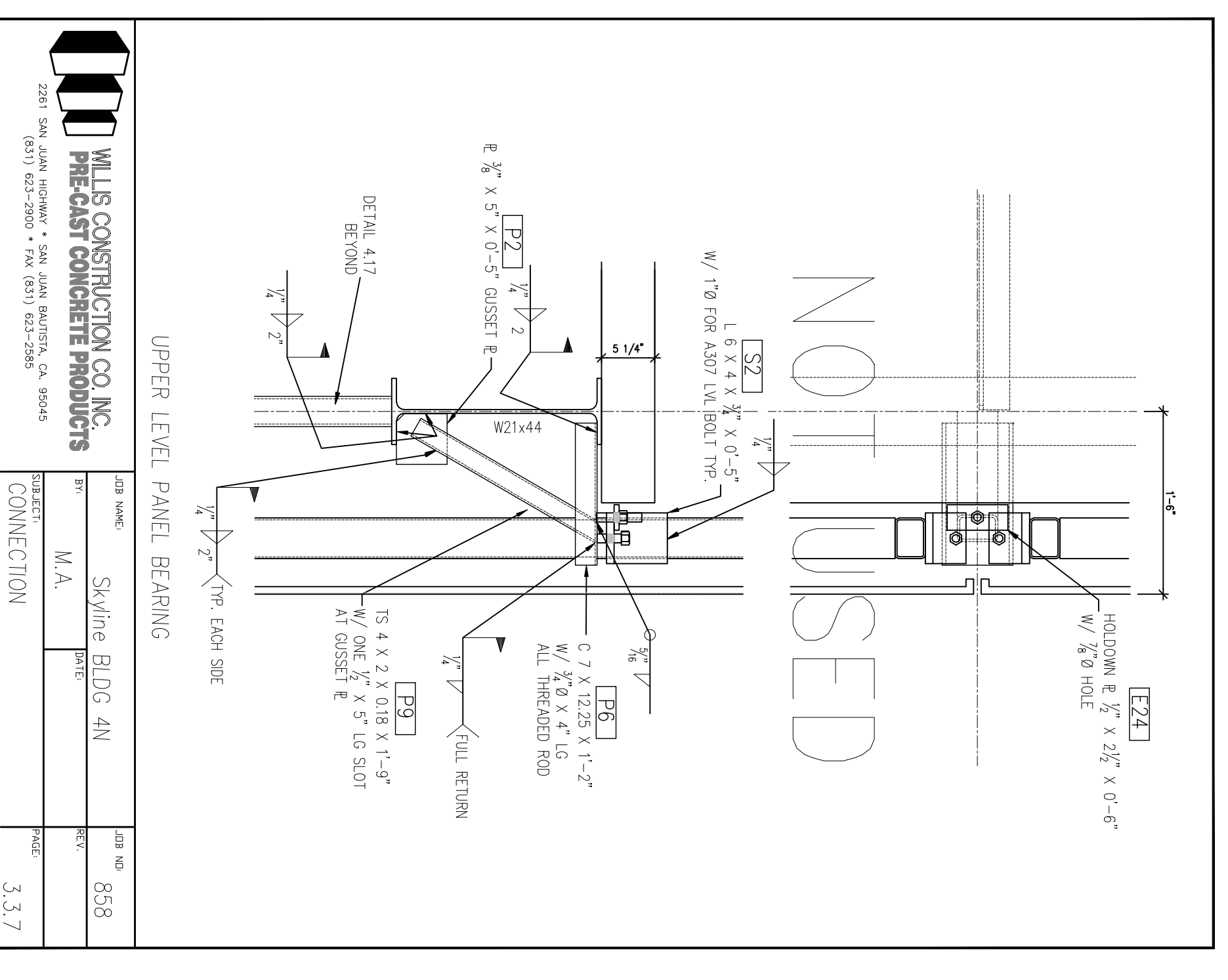
AS BUILT DRAWINGS
 JANUARY 12, 2011

PROJECT NO. 0712100
 DRAWING NO. CIP2C
 DATE: 04/08/09
 CHECKED BY: [Signature]

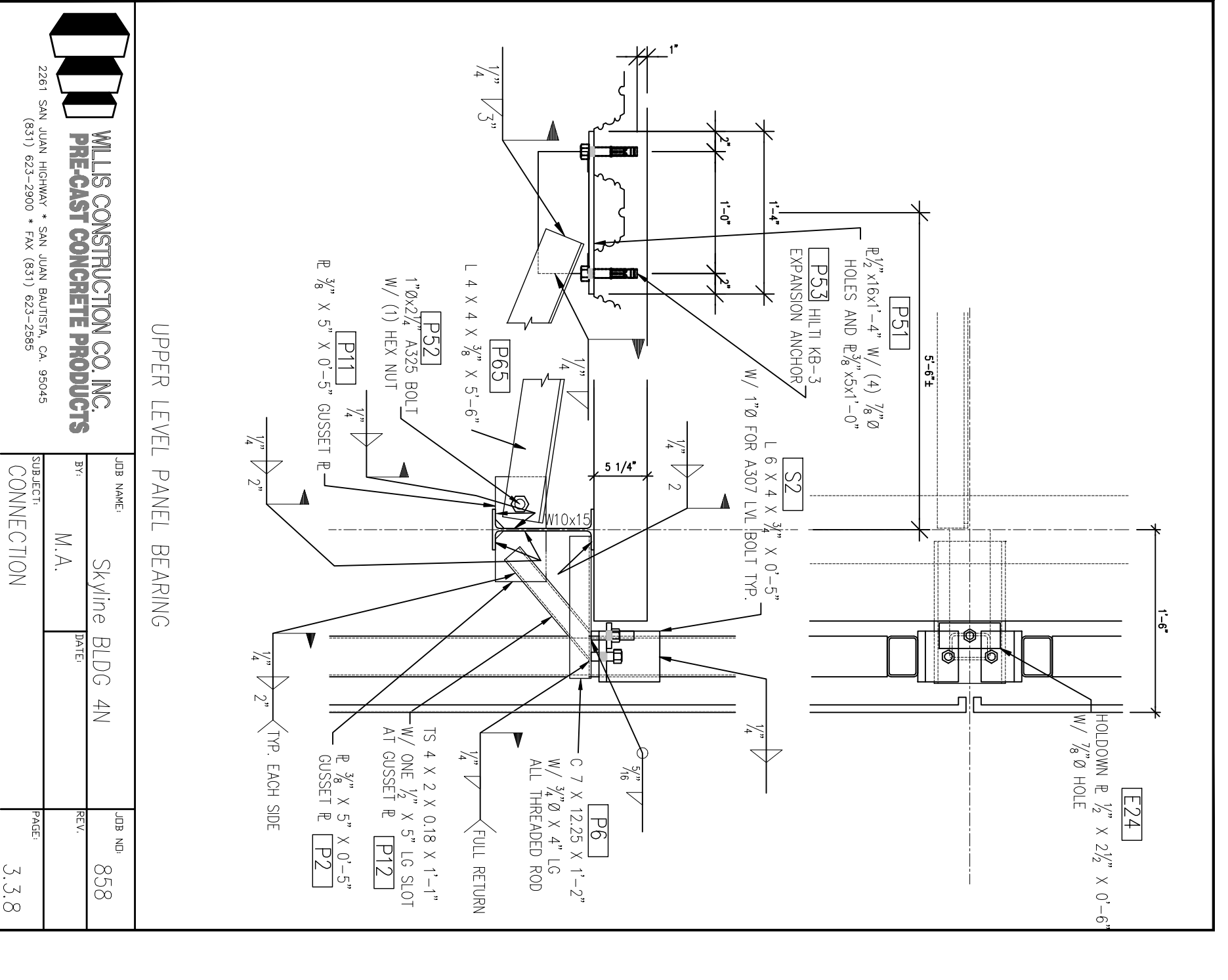
SCALE: _____



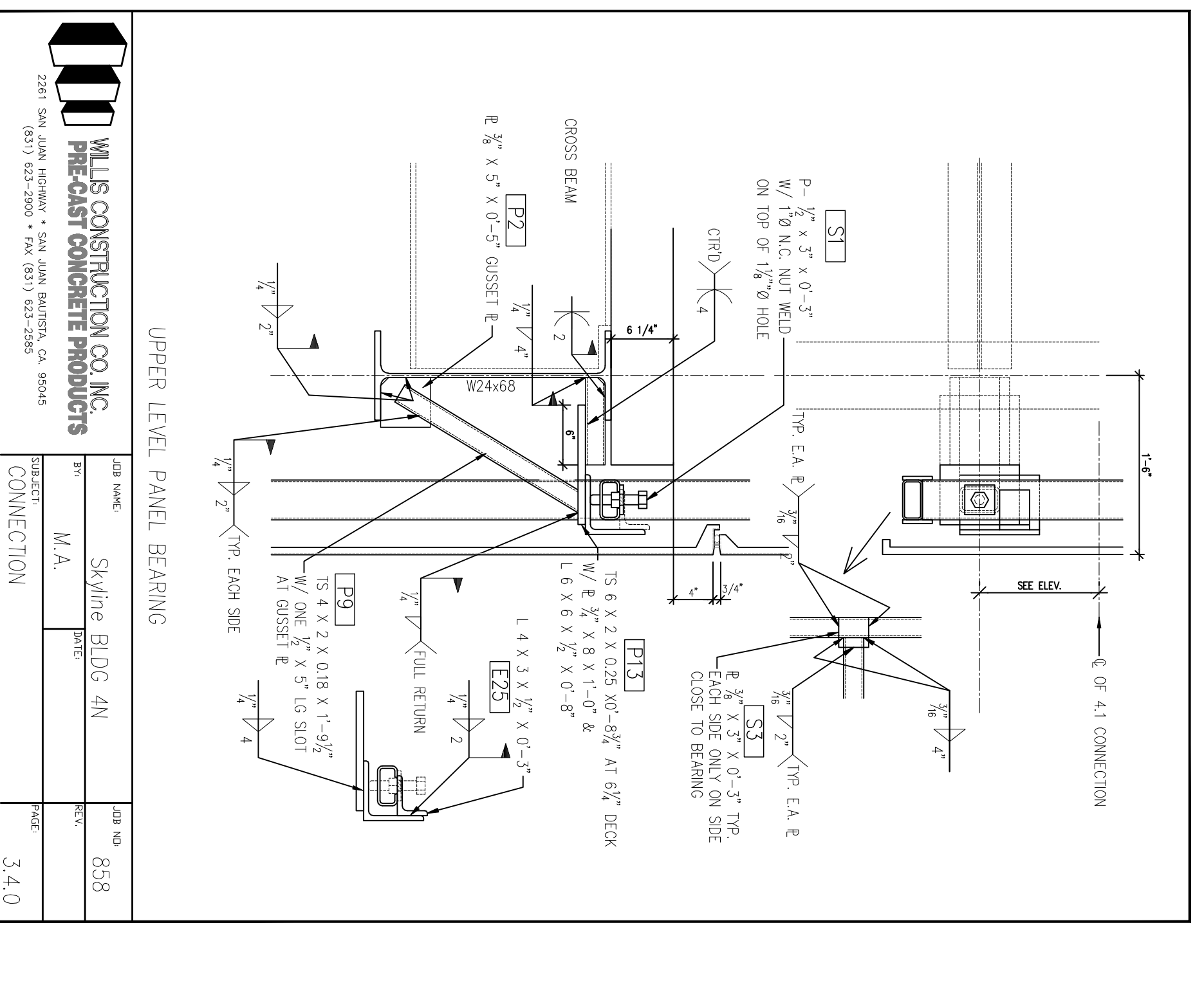
UPPER LEVEL PANEL BEARING
 SHEET NO. 858
 PROJECT M.A.
 CONNECTION
 SCALE 3.3.6



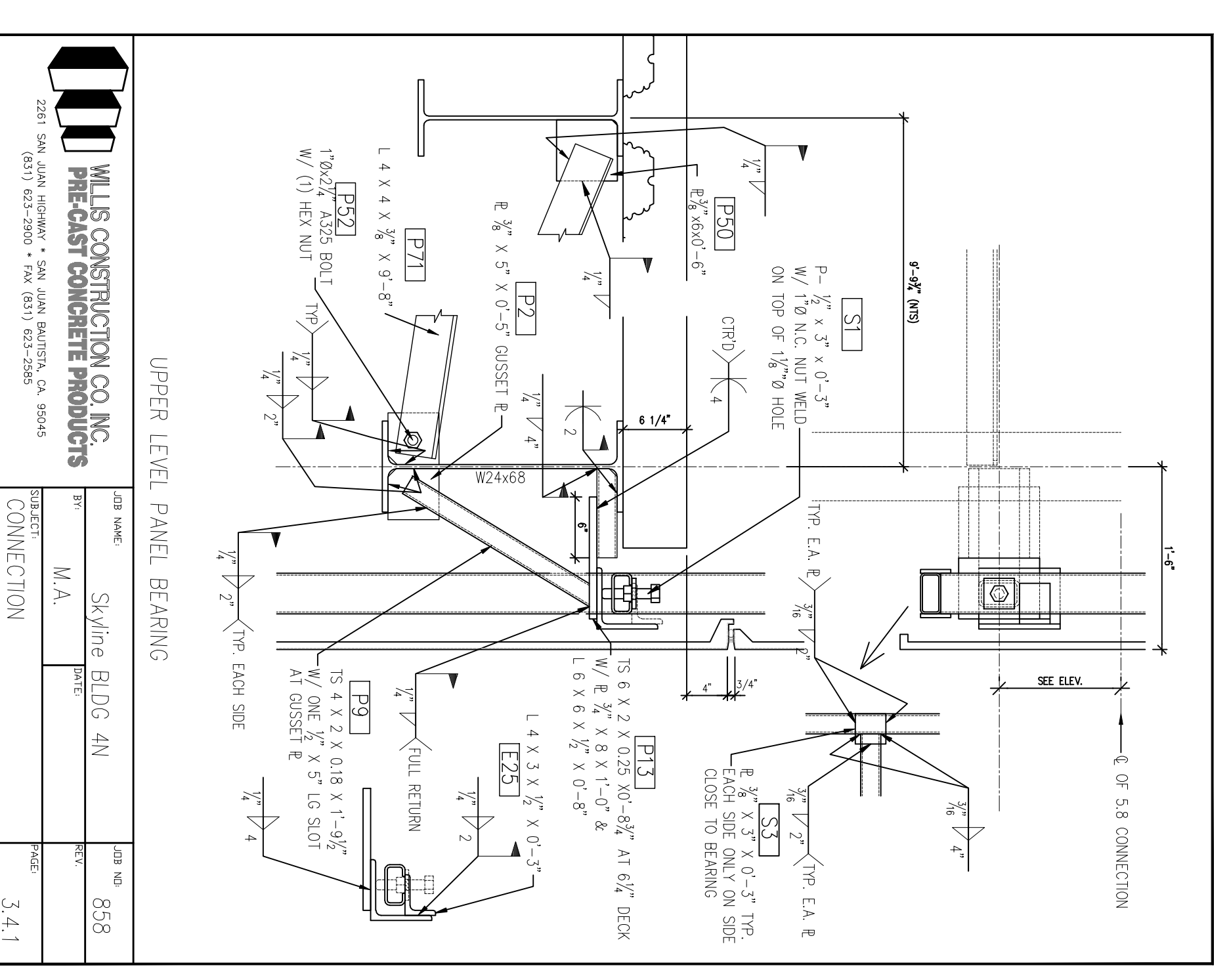
UPPER LEVEL PANEL BEARING
 SHEET NO. 858
 PROJECT M.A.
 CONNECTION
 SCALE 3.3.7



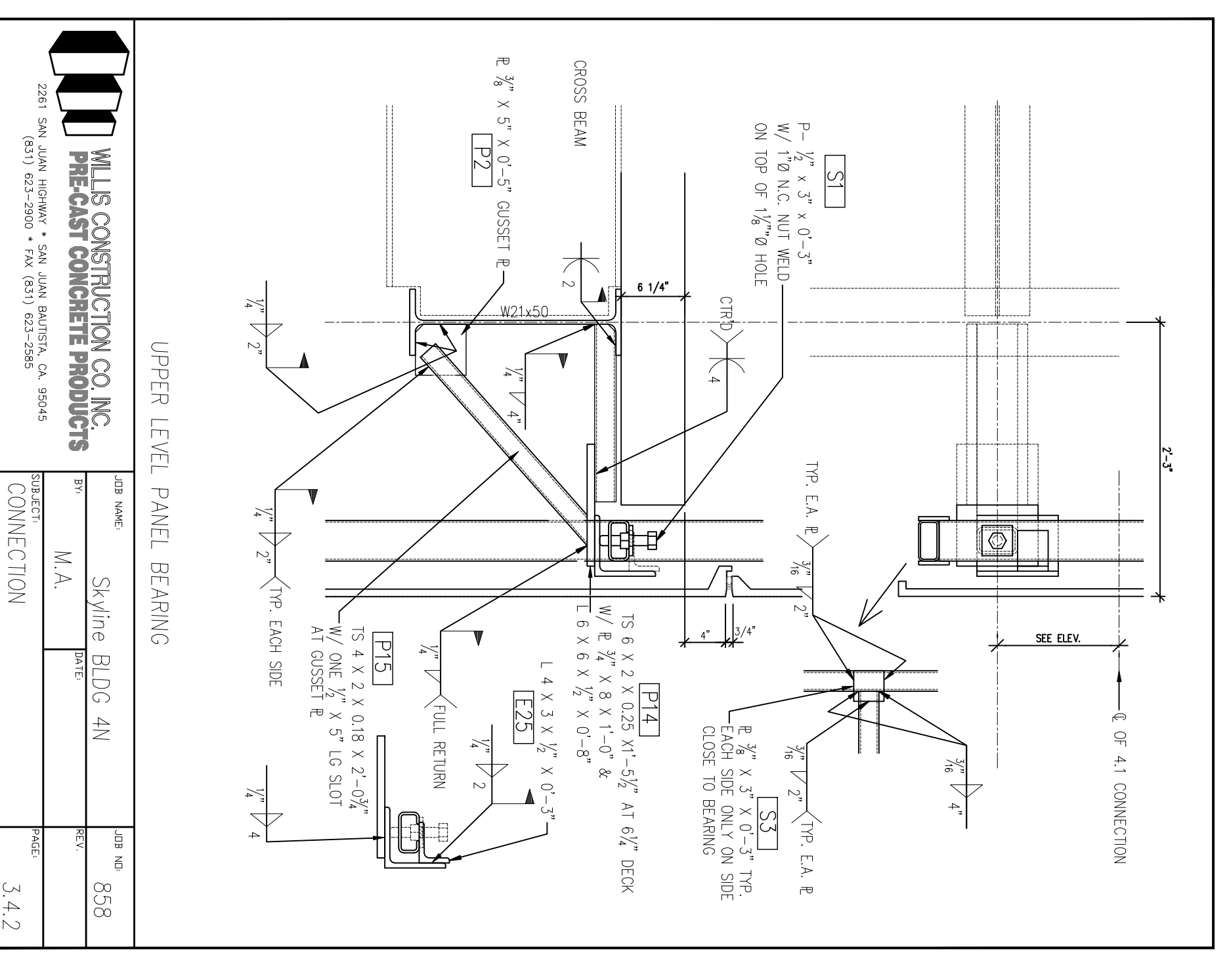
UPPER LEVEL PANEL BEARING
 SHEET NO. 858
 PROJECT M.A.
 CONNECTION
 SCALE 3.3.8



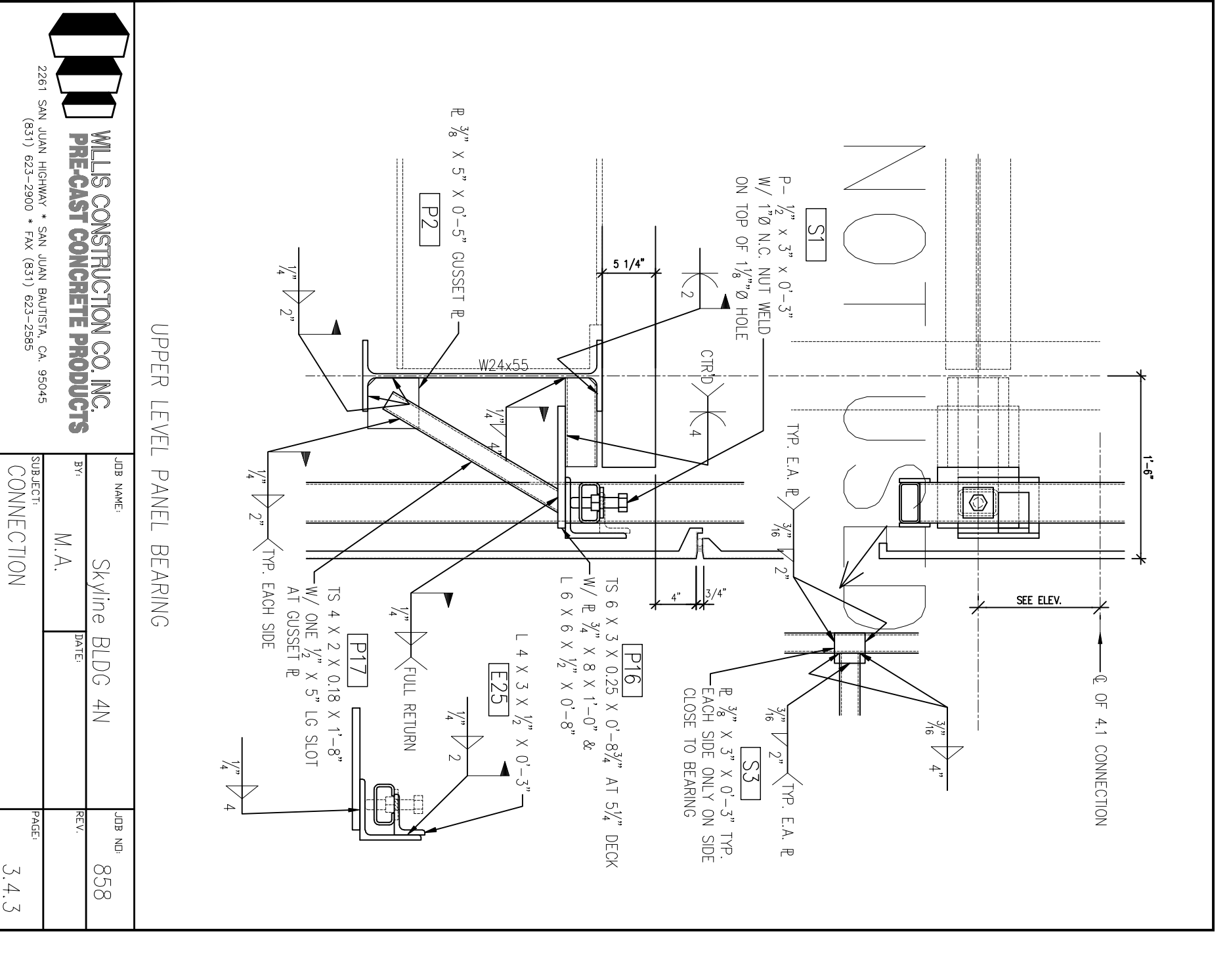
UPPER LEVEL PANEL BEARING
 SHEET NO. 858
 PROJECT M.A.
 CONNECTION
 SCALE 3.4.0



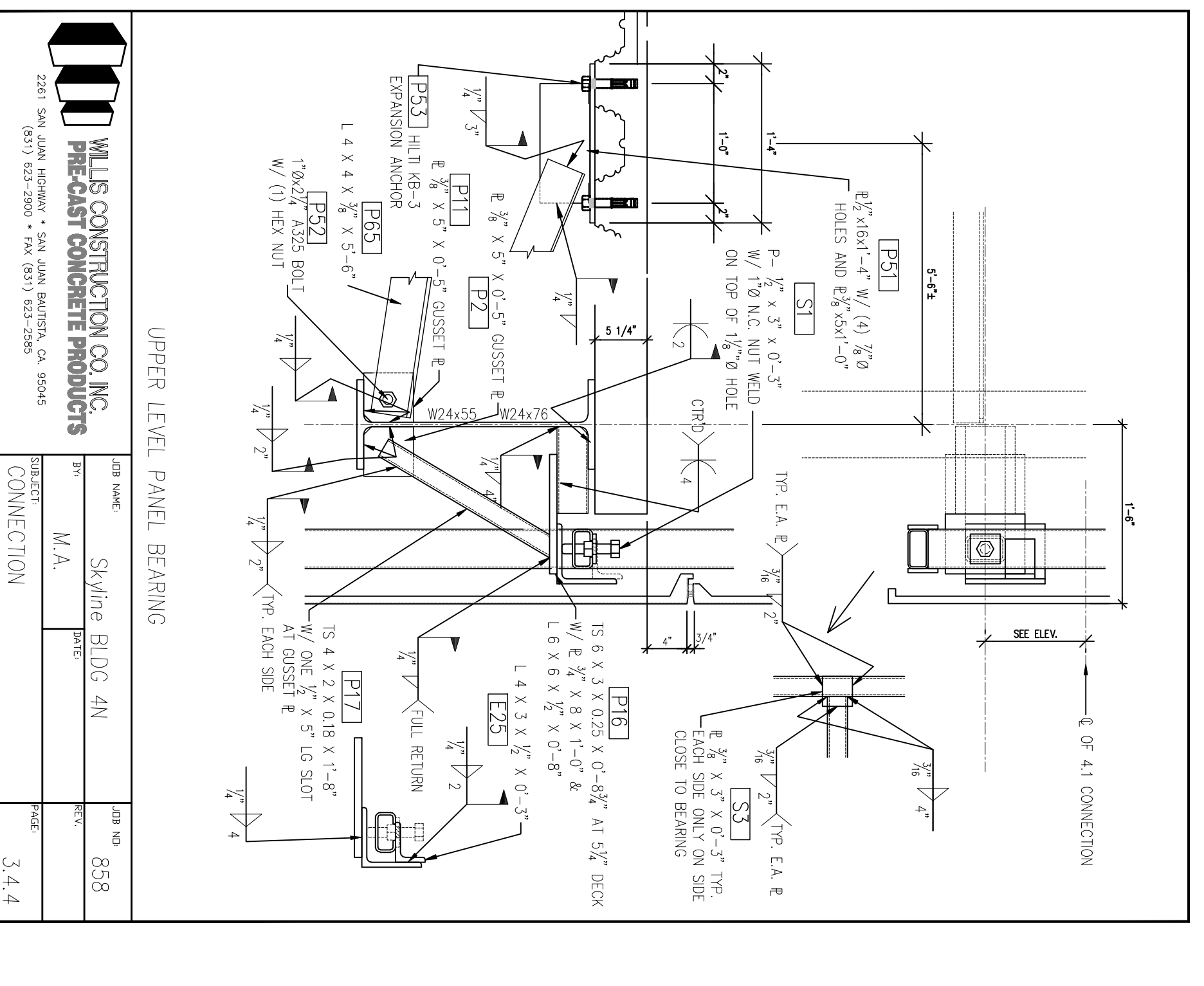
UPPER LEVEL PANEL BEARING
 SHEET NO. 858
 PROJECT M.A.
 CONNECTION
 SCALE 3.4.1



UPPER LEVEL PANEL BEARING
 SHEET NO. 858
 PROJECT M.A.
 CONNECTION
 SCALE 3.4.2



UPPER LEVEL PANEL BEARING
 SHEET NO. 858
 PROJECT M.A.
 CONNECTION
 SCALE 3.4.3



UPPER LEVEL PANEL BEARING
 SHEET NO. 858
 PROJECT M.A.
 CONNECTION
 SCALE 3.4.4

All drawings and details created specifically for this building and are not to be used for any other project without the written consent of the architect.

This drawing is not for construction. The use of this drawing for construction is at the user's risk. The user should refer to the original size.