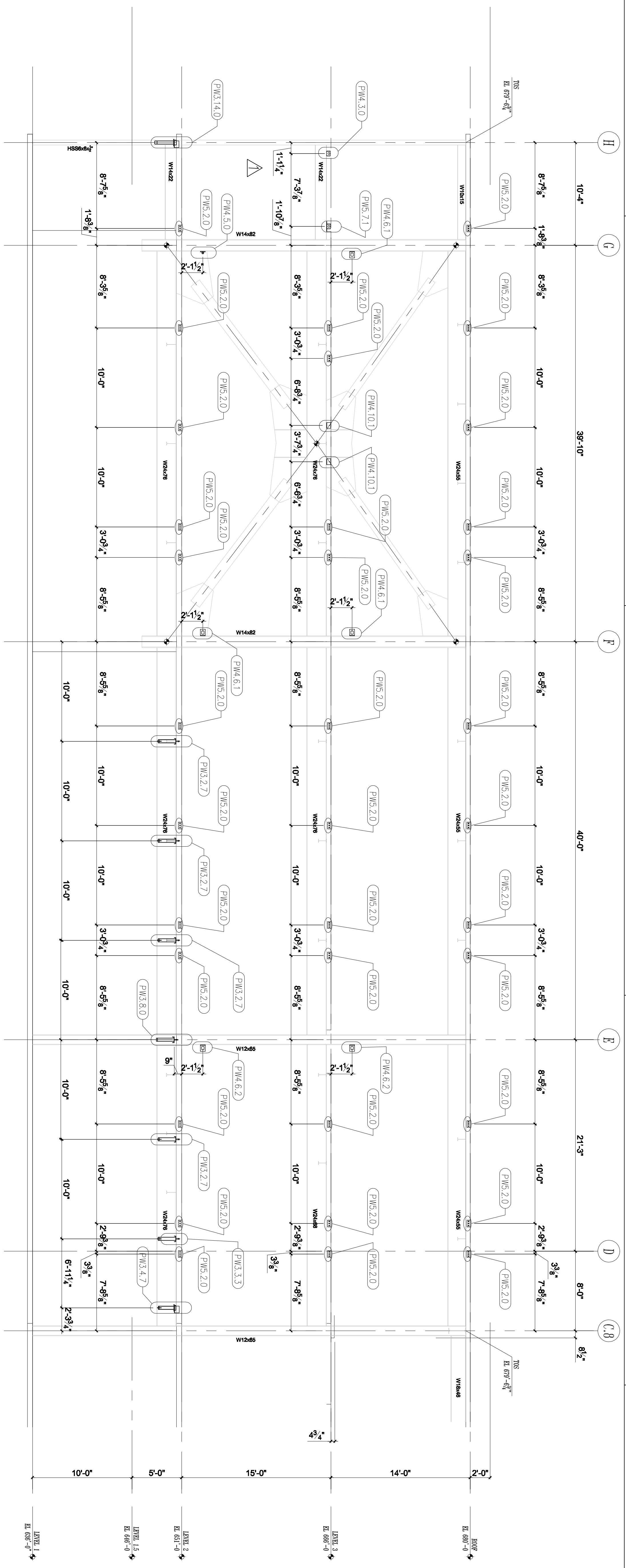
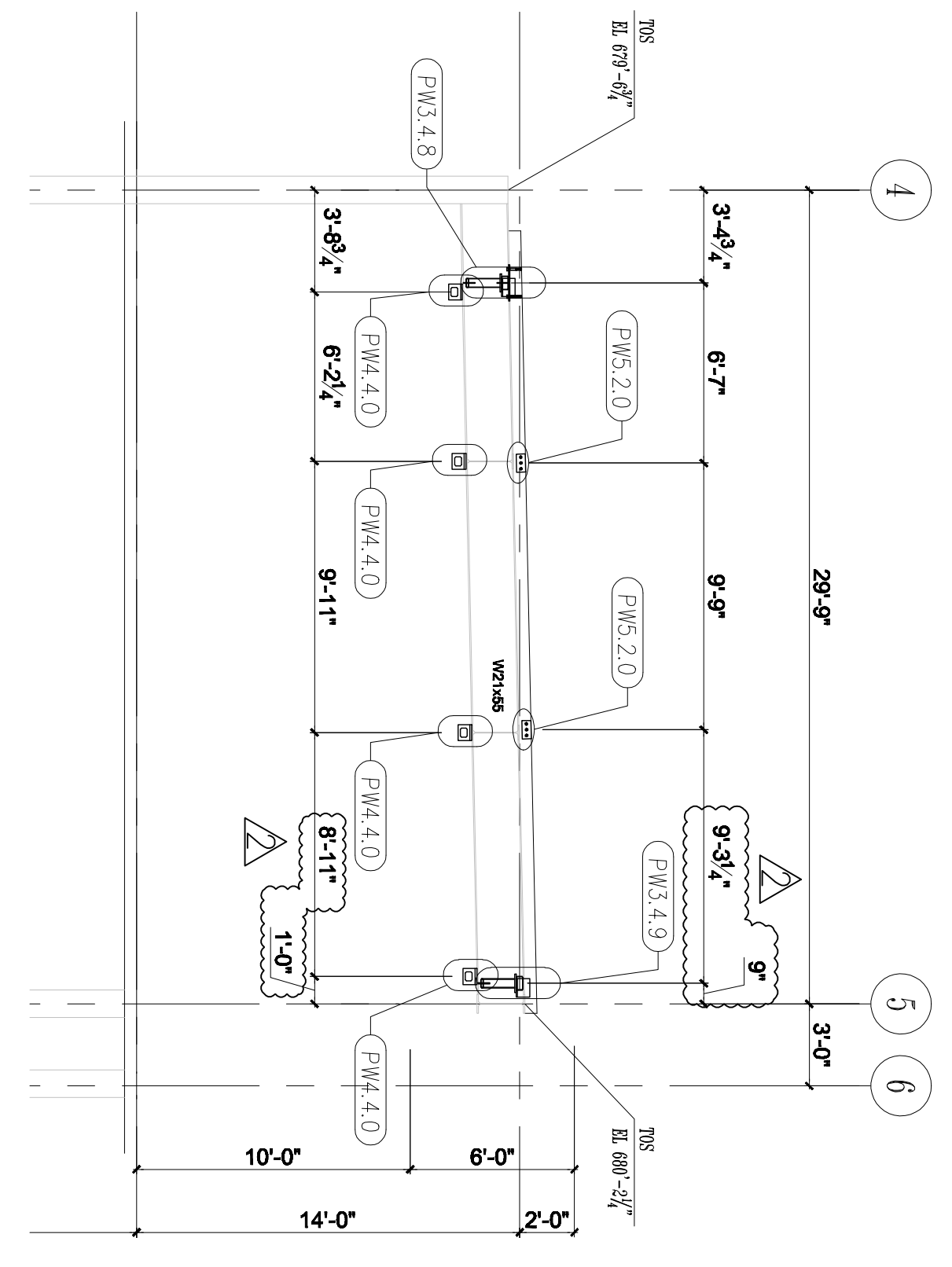


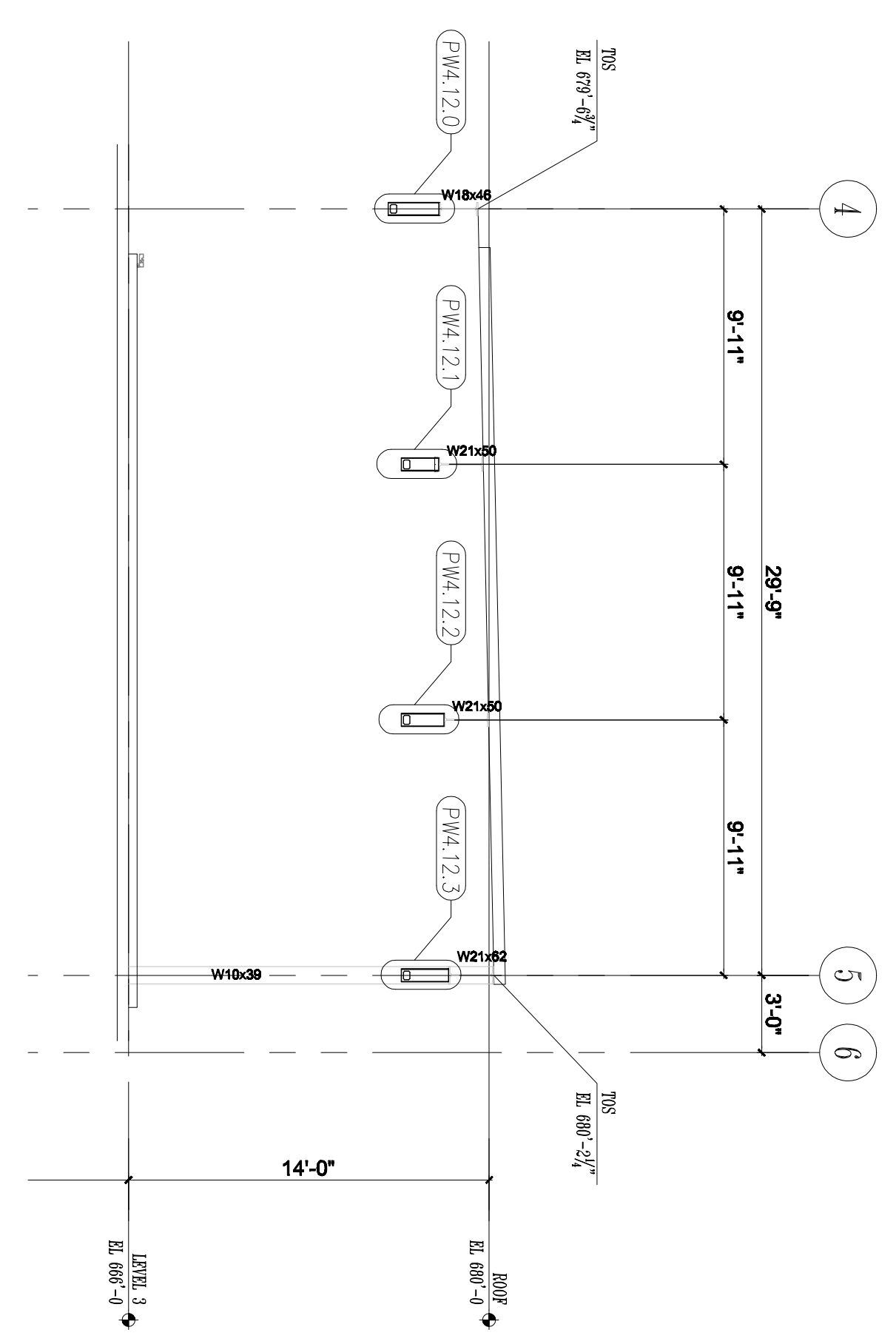
NO.	REVISIONS	DATE
1	100% SCHEDULE DESIGN SUBMITTAL	02/20/09
2	90% DESIGN DEVELOPMENT SUBMITTAL	03/23/09
3	100% DESIGN DEVELOPMENT SUBMITTAL	03/23/09
4	FINAL DESIGN DEVELOPMENT SUBMITTAL	03/23/09
5	FINAL DESIGN DEVELOPMENT SUBMITTAL	03/23/09
6	PERMITS REVIEW #2	10/09/09
7	PERMITS REVIEW #3	11/11/09
8	PERMITS REVIEW #4	11/11/09
9	PERMITS REVIEW #5	11/11/09
10	PERMITS REVIEW #6	11/11/09
11	PERMITS REVIEW #7	03/11/09



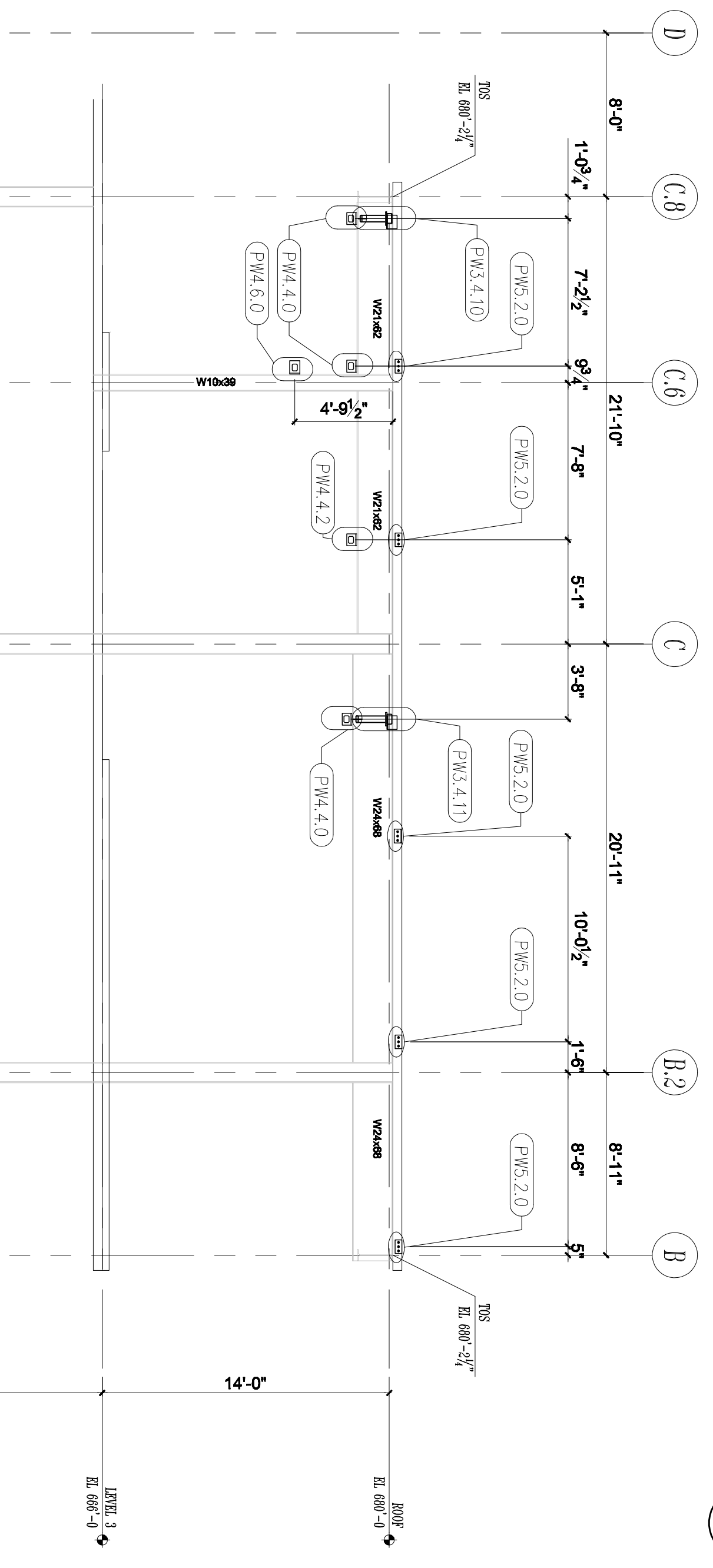
NORTH ELEVATION ALONG 4
 3/16" = 1'-0"



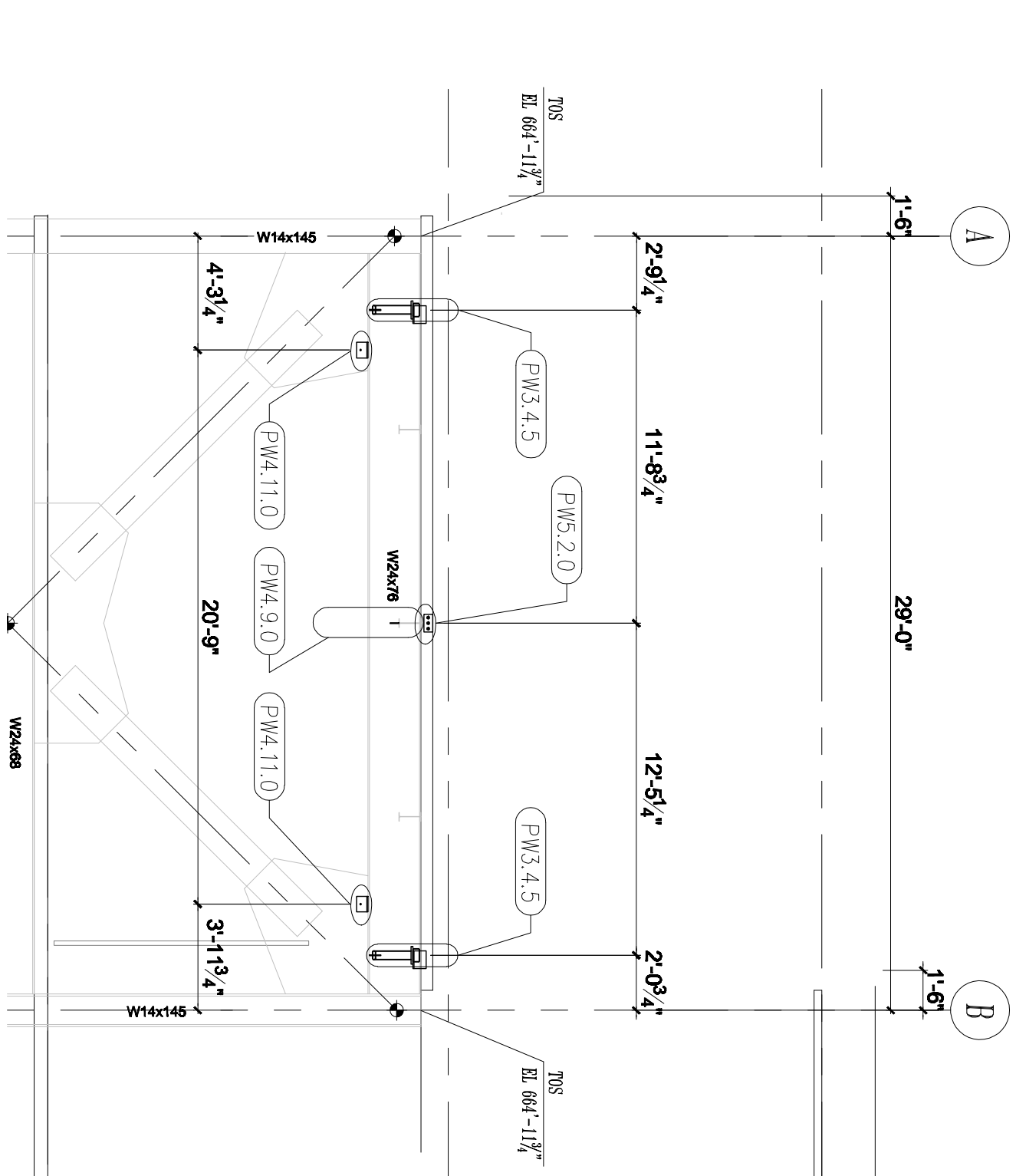
PARTIAL EAST ELEVATION ALONG C 8
 3/16" = 1'-0"



PARTIAL EAST ELEVATION ALONG C 5
 3/16" = 1'-0"

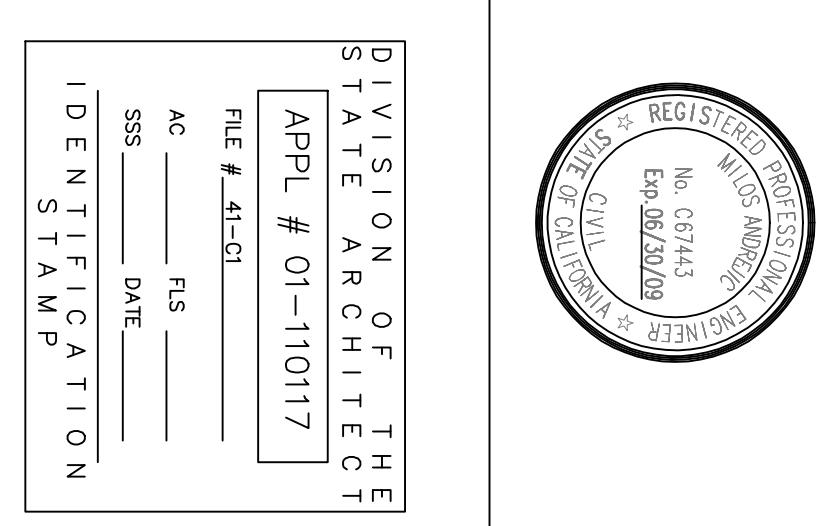


PARTIAL NORTH ELEVATION ALONG 5
 3/16" = 1'-0"



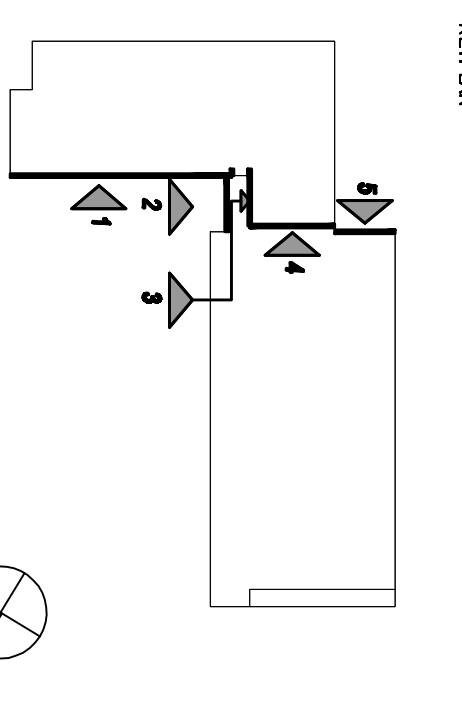
SOUTH ELEVATION ALONG 6
 3/16" = 1'-0"

**CONNECTION DETAILS
 START ON PC-831**



DIVISION OF THE
 STATE ARCHITECT
 FILE # A-14261
 AG _____ RS _____
 SSS _____ DNE _____
 IDENTIFICATION
 STAMP

SKYLINE COLLEGE
 SAN MATEO COUNTY
 COMMUNITY COLLEGE
 PROJECT
**CIP2 DESIGN-BUILD
 BUILDING 4
 INCREMENT 2**



**AS BUILT DRAWINGS
 JANUARY 12, 2011**

PC-624

All drawings and details are the property of Steinberg Architects and shall remain the property of Steinberg Architects. No part of these drawings may be reproduced, stored in a retrieval system, or transmitted in any form or by any means, electronic, mechanical, photocopying, recording, or by any information storage and retrieval system, without the prior written permission of Steinberg Architects.

This drawing is not to scale. The drawings shall be read in conjunction with the original documents. The drawings shall be read in conjunction with the original documents. The drawings shall be read in conjunction with the original documents.