

NO.	REVISIONS	DATE
01	ISSUE FOR PERMIT	01/11/11
02	100% SCHEDULED DESIGN SUBMITTAL	02/08/11
03	90% DESIGN DEVELOPMENT SUBMITTAL	02/08/11
04	100% DESIGN DEVELOPMENT SUBMITTAL	02/08/11
05	FINAL DESIGN DEVELOPMENT SUBMITTAL	02/08/11
06	FINAL DESIGN DEVELOPMENT SUBMITTAL	02/08/11
07	FINAL DESIGN DEVELOPMENT SUBMITTAL	02/08/11
08	FINAL DESIGN DEVELOPMENT SUBMITTAL	02/08/11
09	FINAL DESIGN DEVELOPMENT SUBMITTAL	02/08/11
10	FINAL DESIGN DEVELOPMENT SUBMITTAL	02/08/11
11	FINAL DESIGN DEVELOPMENT SUBMITTAL	02/08/11
12	FINAL DESIGN DEVELOPMENT SUBMITTAL	02/08/11
13	FINAL DESIGN DEVELOPMENT SUBMITTAL	02/08/11
14	FINAL DESIGN DEVELOPMENT SUBMITTAL	02/08/11
15	FINAL DESIGN DEVELOPMENT SUBMITTAL	02/08/11
16	FINAL DESIGN DEVELOPMENT SUBMITTAL	02/08/11
17	FINAL DESIGN DEVELOPMENT SUBMITTAL	02/08/11
18	FINAL DESIGN DEVELOPMENT SUBMITTAL	02/08/11
19	FINAL DESIGN DEVELOPMENT SUBMITTAL	02/08/11
20	FINAL DESIGN DEVELOPMENT SUBMITTAL	02/08/11
21	FINAL DESIGN DEVELOPMENT SUBMITTAL	02/08/11
22	FINAL DESIGN DEVELOPMENT SUBMITTAL	02/08/11
23	FINAL DESIGN DEVELOPMENT SUBMITTAL	02/08/11
24	FINAL DESIGN DEVELOPMENT SUBMITTAL	02/08/11
25	FINAL DESIGN DEVELOPMENT SUBMITTAL	02/08/11
26	FINAL DESIGN DEVELOPMENT SUBMITTAL	02/08/11
27	FINAL DESIGN DEVELOPMENT SUBMITTAL	02/08/11
28	FINAL DESIGN DEVELOPMENT SUBMITTAL	02/08/11
29	FINAL DESIGN DEVELOPMENT SUBMITTAL	02/08/11
30	FINAL DESIGN DEVELOPMENT SUBMITTAL	02/08/11
31	FINAL DESIGN DEVELOPMENT SUBMITTAL	02/08/11
32	FINAL DESIGN DEVELOPMENT SUBMITTAL	02/08/11
33	FINAL DESIGN DEVELOPMENT SUBMITTAL	02/08/11
34	FINAL DESIGN DEVELOPMENT SUBMITTAL	02/08/11
35	FINAL DESIGN DEVELOPMENT SUBMITTAL	02/08/11
36	FINAL DESIGN DEVELOPMENT SUBMITTAL	02/08/11
37	FINAL DESIGN DEVELOPMENT SUBMITTAL	02/08/11
38	FINAL DESIGN DEVELOPMENT SUBMITTAL	02/08/11
39	FINAL DESIGN DEVELOPMENT SUBMITTAL	02/08/11
40	FINAL DESIGN DEVELOPMENT SUBMITTAL	02/08/11
41	FINAL DESIGN DEVELOPMENT SUBMITTAL	02/08/11
42	FINAL DESIGN DEVELOPMENT SUBMITTAL	02/08/11
43	FINAL DESIGN DEVELOPMENT SUBMITTAL	02/08/11
44	FINAL DESIGN DEVELOPMENT SUBMITTAL	02/08/11
45	FINAL DESIGN DEVELOPMENT SUBMITTAL	02/08/11
46	FINAL DESIGN DEVELOPMENT SUBMITTAL	02/08/11
47	FINAL DESIGN DEVELOPMENT SUBMITTAL	02/08/11
48	FINAL DESIGN DEVELOPMENT SUBMITTAL	02/08/11
49	FINAL DESIGN DEVELOPMENT SUBMITTAL	02/08/11
50	FINAL DESIGN DEVELOPMENT SUBMITTAL	02/08/11
51	FINAL DESIGN DEVELOPMENT SUBMITTAL	02/08/11
52	FINAL DESIGN DEVELOPMENT SUBMITTAL	02/08/11
53	FINAL DESIGN DEVELOPMENT SUBMITTAL	02/08/11
54	FINAL DESIGN DEVELOPMENT SUBMITTAL	02/08/11
55	FINAL DESIGN DEVELOPMENT SUBMITTAL	02/08/11
56	FINAL DESIGN DEVELOPMENT SUBMITTAL	02/08/11
57	FINAL DESIGN DEVELOPMENT SUBMITTAL	02/08/11
58	FINAL DESIGN DEVELOPMENT SUBMITTAL	02/08/11
59	FINAL DESIGN DEVELOPMENT SUBMITTAL	02/08/11
60	FINAL DESIGN DEVELOPMENT SUBMITTAL	02/08/11
61	FINAL DESIGN DEVELOPMENT SUBMITTAL	02/08/11
62	FINAL DESIGN DEVELOPMENT SUBMITTAL	02/08/11
63	FINAL DESIGN DEVELOPMENT SUBMITTAL	02/08/11
64	FINAL DESIGN DEVELOPMENT SUBMITTAL	02/08/11
65	FINAL DESIGN DEVELOPMENT SUBMITTAL	02/08/11
66	FINAL DESIGN DEVELOPMENT SUBMITTAL	02/08/11
67	FINAL DESIGN DEVELOPMENT SUBMITTAL	02/08/11
68	FINAL DESIGN DEVELOPMENT SUBMITTAL	02/08/11
69	FINAL DESIGN DEVELOPMENT SUBMITTAL	02/08/11
70	FINAL DESIGN DEVELOPMENT SUBMITTAL	02/08/11
71	FINAL DESIGN DEVELOPMENT SUBMITTAL	02/08/11
72	FINAL DESIGN DEVELOPMENT SUBMITTAL	02/08/11
73	FINAL DESIGN DEVELOPMENT SUBMITTAL	02/08/11
74	FINAL DESIGN DEVELOPMENT SUBMITTAL	02/08/11
75	FINAL DESIGN DEVELOPMENT SUBMITTAL	02/08/11
76	FINAL DESIGN DEVELOPMENT SUBMITTAL	02/08/11
77	FINAL DESIGN DEVELOPMENT SUBMITTAL	02/08/11
78	FINAL DESIGN DEVELOPMENT SUBMITTAL	02/08/11
79	FINAL DESIGN DEVELOPMENT SUBMITTAL	02/08/11
80	FINAL DESIGN DEVELOPMENT SUBMITTAL	02/08/11
81	FINAL DESIGN DEVELOPMENT SUBMITTAL	02/08/11
82	FINAL DESIGN DEVELOPMENT SUBMITTAL	02/08/11
83	FINAL DESIGN DEVELOPMENT SUBMITTAL	02/08/11
84	FINAL DESIGN DEVELOPMENT SUBMITTAL	02/08/11
85	FINAL DESIGN DEVELOPMENT SUBMITTAL	02/08/11
86	FINAL DESIGN DEVELOPMENT SUBMITTAL	02/08/11
87	FINAL DESIGN DEVELOPMENT SUBMITTAL	02/08/11
88	FINAL DESIGN DEVELOPMENT SUBMITTAL	02/08/11
89	FINAL DESIGN DEVELOPMENT SUBMITTAL	02/08/11
90	FINAL DESIGN DEVELOPMENT SUBMITTAL	02/08/11
91	FINAL DESIGN DEVELOPMENT SUBMITTAL	02/08/11
92	FINAL DESIGN DEVELOPMENT SUBMITTAL	02/08/11
93	FINAL DESIGN DEVELOPMENT SUBMITTAL	02/08/11
94	FINAL DESIGN DEVELOPMENT SUBMITTAL	02/08/11
95	FINAL DESIGN DEVELOPMENT SUBMITTAL	02/08/11
96	FINAL DESIGN DEVELOPMENT SUBMITTAL	02/08/11
97	FINAL DESIGN DEVELOPMENT SUBMITTAL	02/08/11
98	FINAL DESIGN DEVELOPMENT SUBMITTAL	02/08/11
99	FINAL DESIGN DEVELOPMENT SUBMITTAL	02/08/11
100	FINAL DESIGN DEVELOPMENT SUBMITTAL	02/08/11



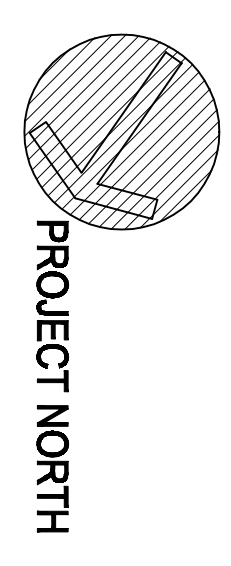
DIVISION OF THE
 STATE ARCHITECT
 APPL # 01-110117
 FILE # ARCH
 AG _____ RS _____
 SSS _____ DNE _____
 IDENTIFICATION
 STAMP

SKYLINE COLLEGE
 SAN JUAN COUNTY
 COMMUNITY COLLEGE
 DESIGN
CIP2 DESIGN-BUILD
BUILDING 4
INCREMENT 2
 PROJECT

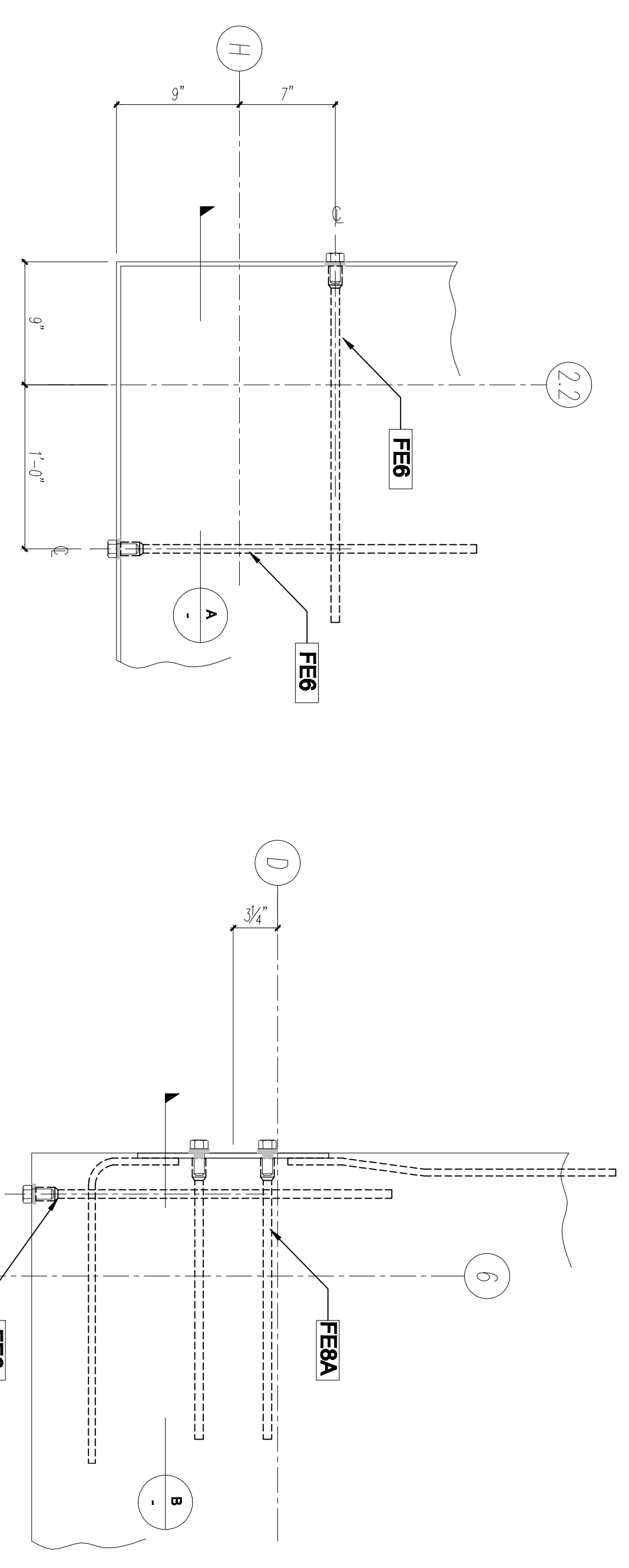
PROJECT NO: 0701200 DRAWN BY: JDC/CA
 DATE: 04/08/09 CHECKED BY:
 SCALE: _____
ROOF
EMBED PLAN

AS BUILT DRAWINGS
JANUARY 12, 2011

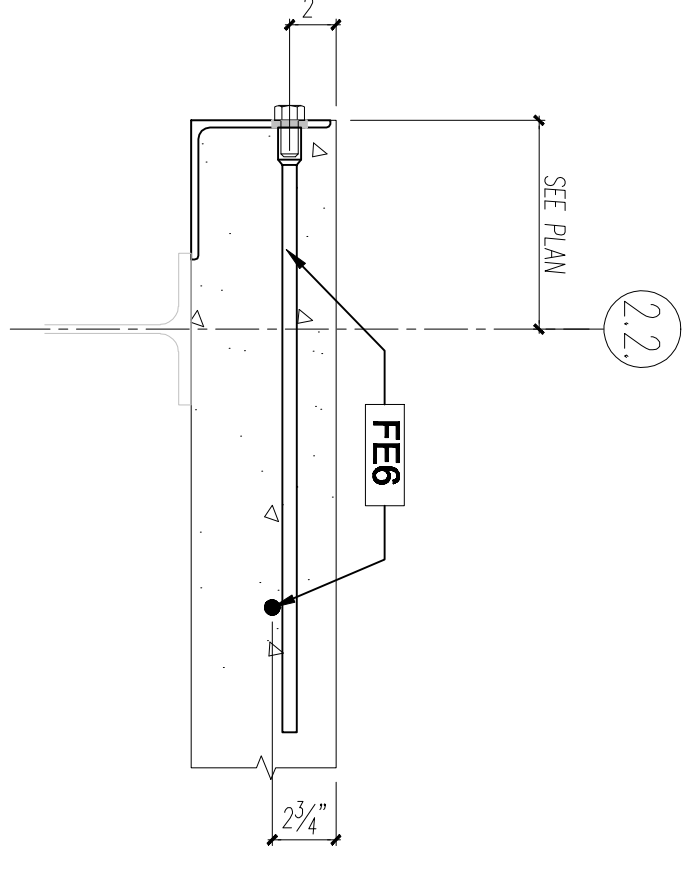
SHEET NO: **PC-204**



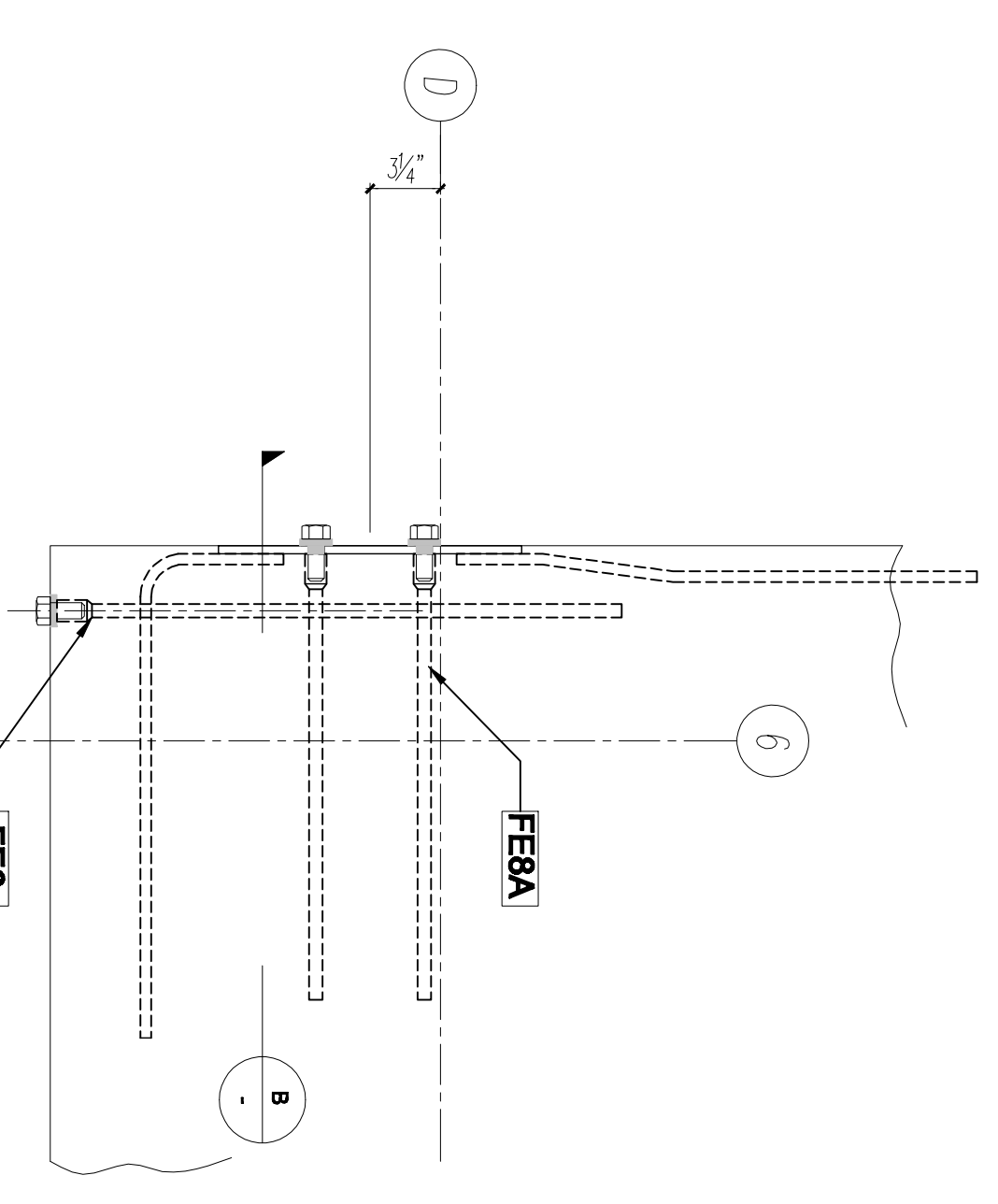
PROJECT NORTH



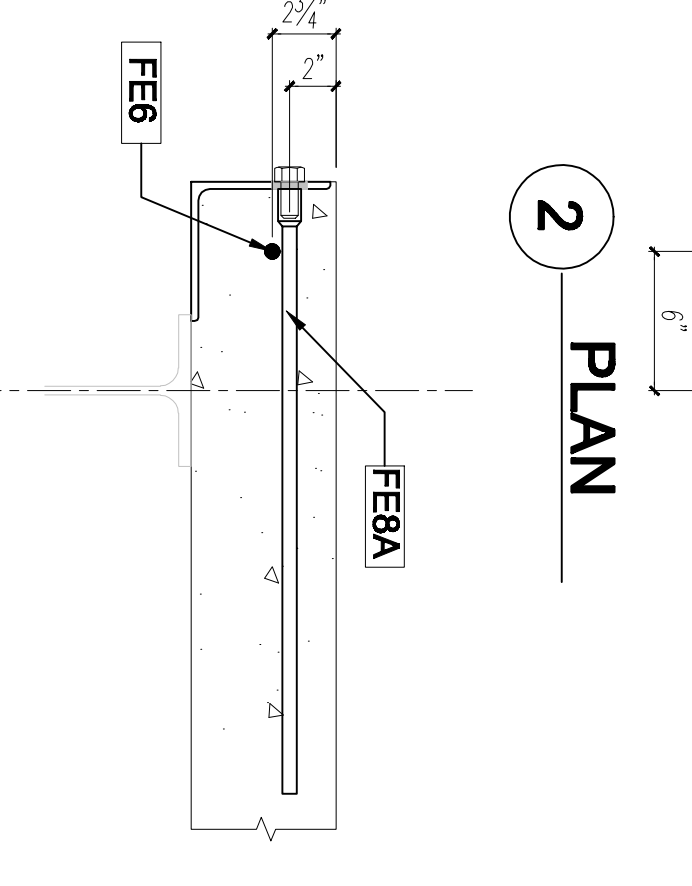
1 PLAN



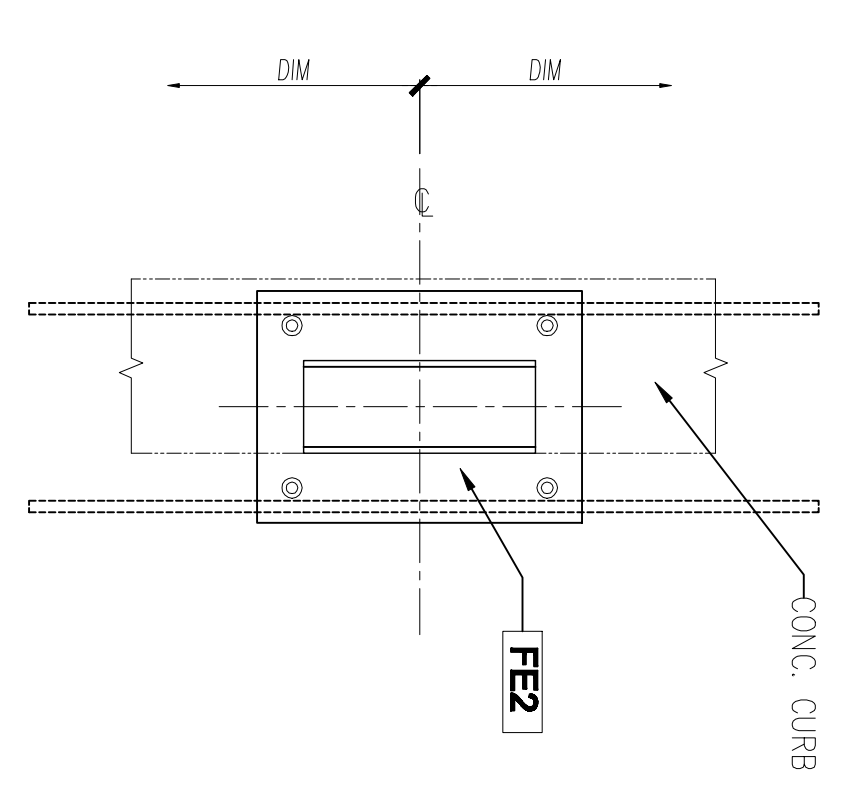
A SECTION



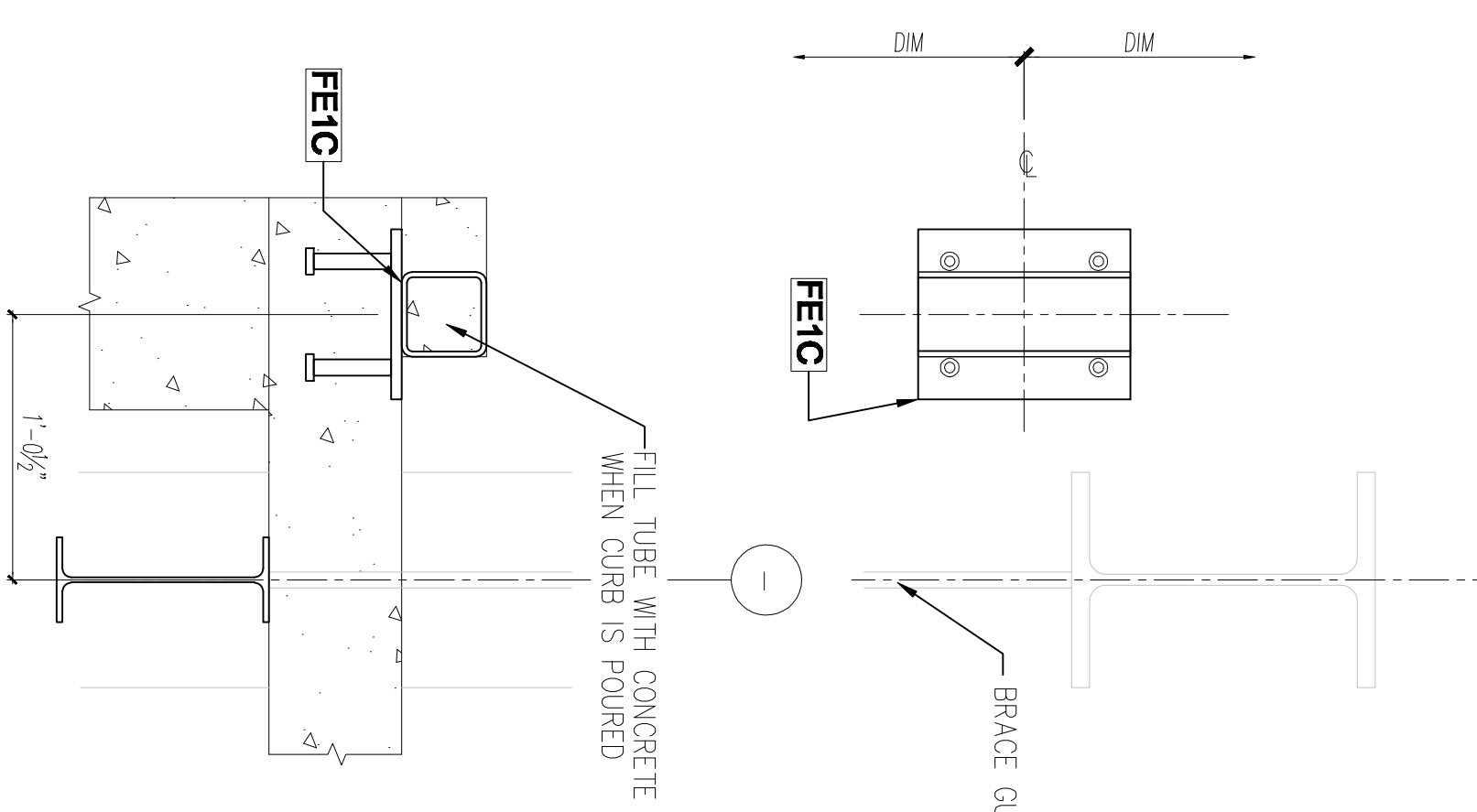
2 PLAN



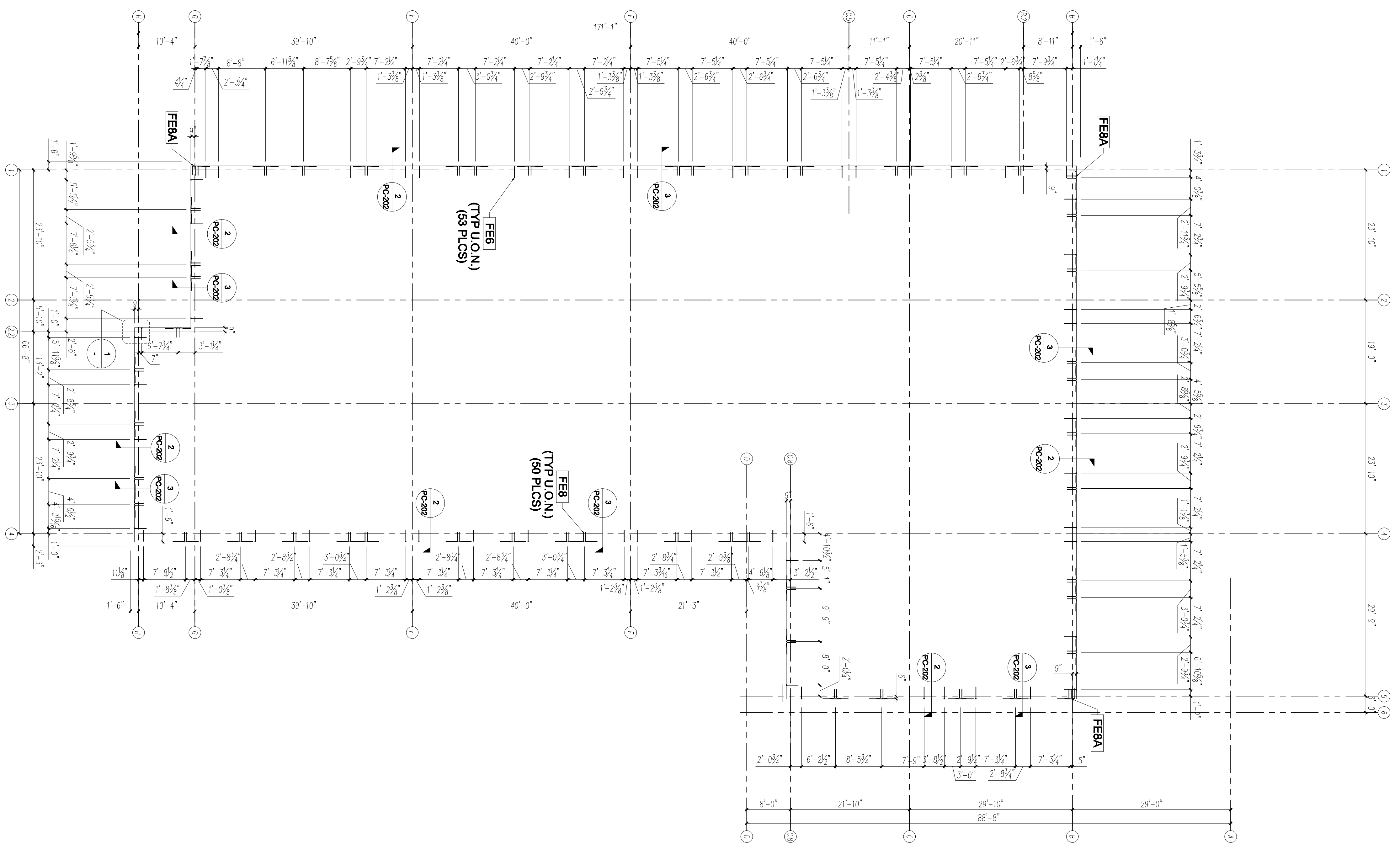
B SECTION



3 SECTION



4 SECTION



ROOF EMBED PLAN 1
 3/8" = 1'-0"

All drawings and details are the property of Steinberg Architects and shall remain the property of Steinberg Architects. No part of these drawings may be reproduced, stored in a retrieval system, or transmitted in any form or by any means, electronic, mechanical, photocopying, recording, or by any information storage and retrieval system, without the prior written permission of Steinberg Architects.

This drawing is not to be used for any other project without the prior written permission of Steinberg Architects. The use of this drawing for any other project without the prior written permission of Steinberg Architects is strictly prohibited.