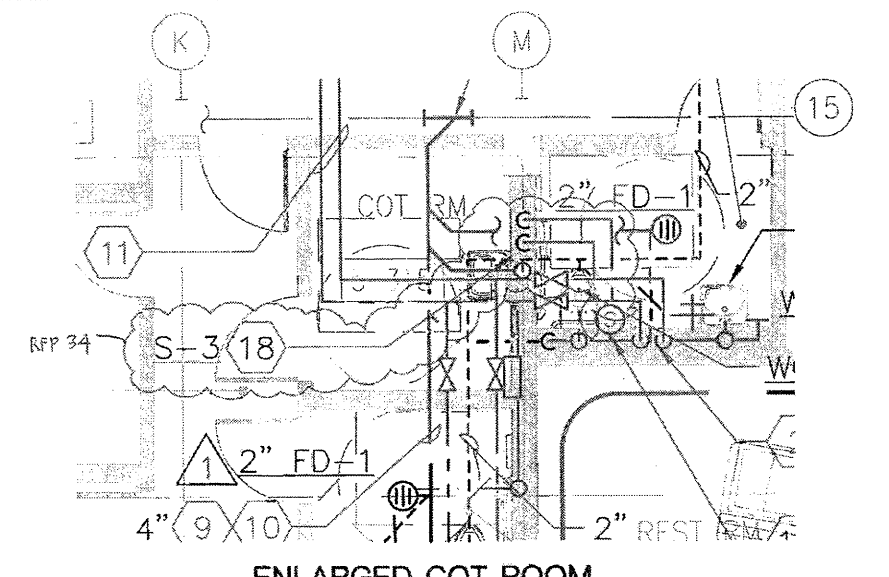


RFP-35

FILE NO. 43-01
APPL. NO. 01-110074

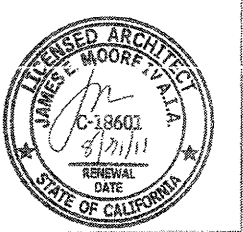


SHEET KEYNOTES

15 1/2" CW/WH DN 2" W & 1-1/2" VENT UP
RFP 34

PLUMBING FIXTURE SCHEDULE

SYMBOL	DESCRIPTION	CONNECTION			
		W	V	CW	WH
S-3	SINK KOHLER KINGSTON MODEL K-2007, WALL HANG, CONDENSED SUPPORT, 1 HOLE				
ADA	FRANCE CIRCULAR 118-1023.1.1 SINK DRAW WITHIN RED ZONE WITH DRAIN CONDENSED SINK, LAMINAR FLOW OUTLET, W/ PLUS IN 12 VOLT AC TRANSFORMER DRAIN 4-10-15	2"	1-1/2"	1/2"	1/2"



BCA
ARCHITECTS
1111 17TH ST
REDWOOD CITY, CA 94061
TEL NO. 43-01, APRIL 01-110074

INTERFACE
ENGINEERS
1111 17TH ST
REDWOOD CITY, CA 94061
TEL NO. 43-01, APRIL 01-110074

Scale: 1/8" = 1'-0"
Date: 04/01/04