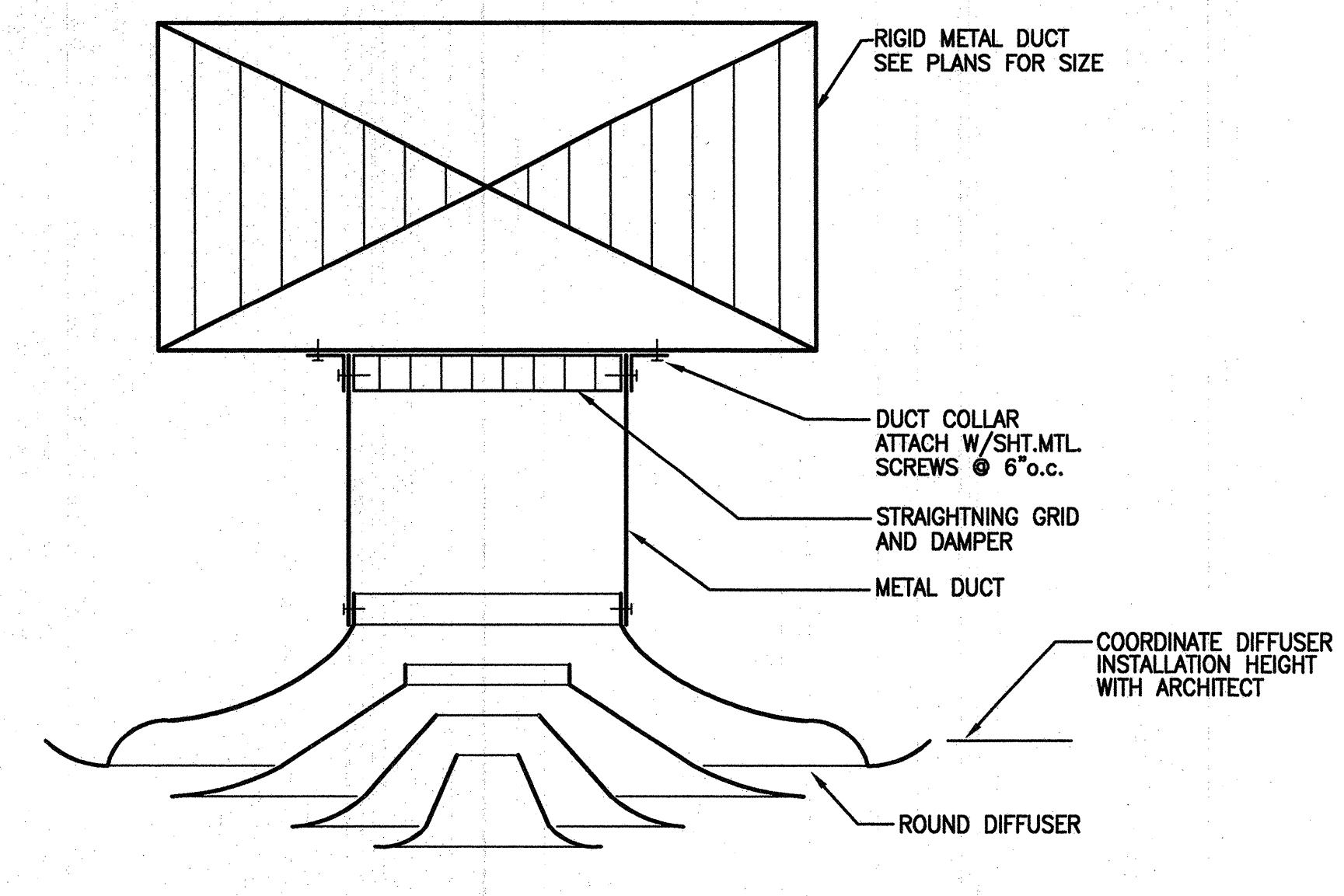
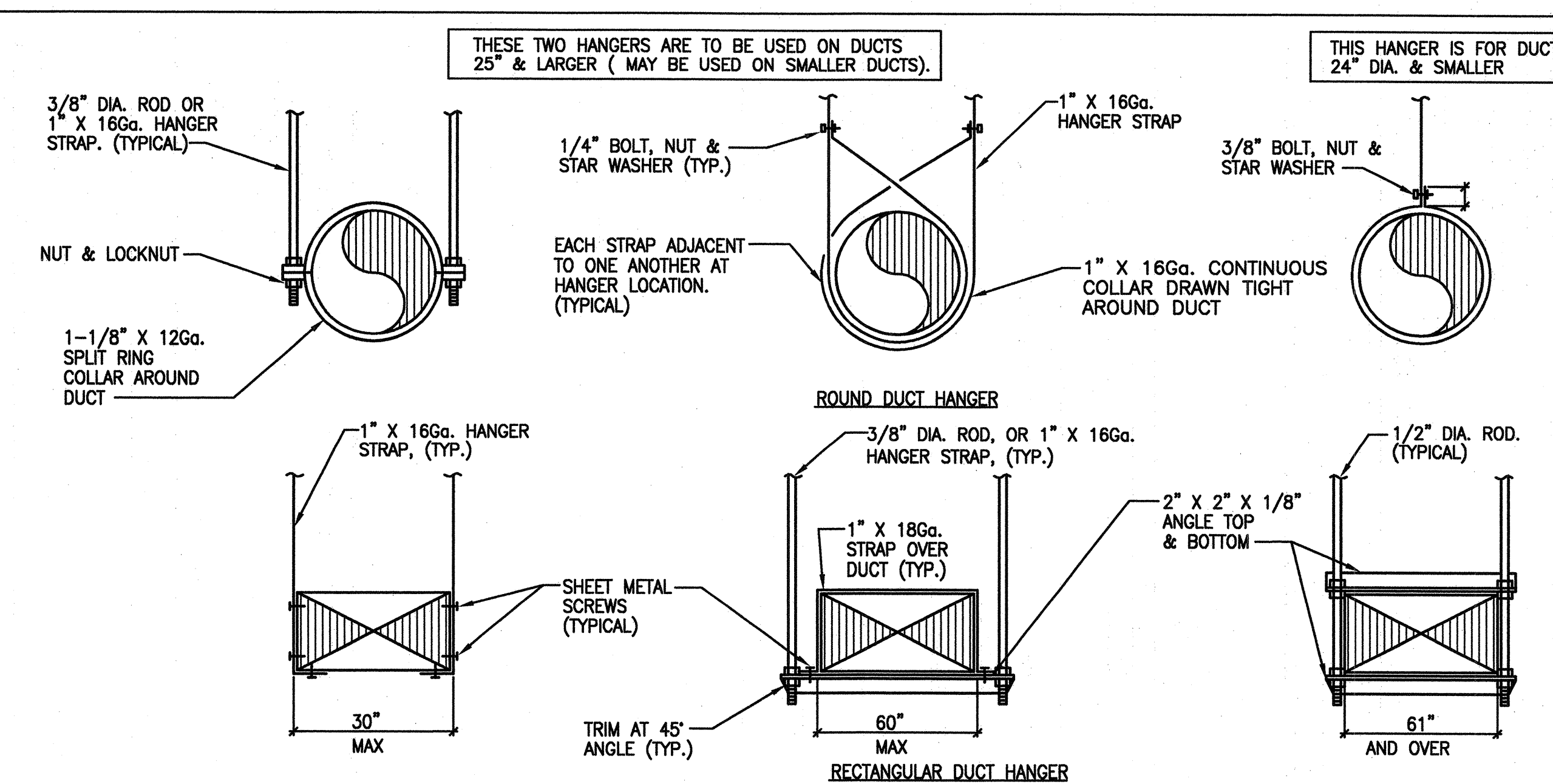


Copyright 2005 Steinberg Architects. All Rights Reserved. No part of this drawing may be reproduced, stored in a retrieval system, or transmitted in any form or by any means, electronic, mechanical, photocopying, recording, or by any information storage and retrieval system, without the prior written permission of Steinberg Architects.

S:\000000\000072 - Skyline College - TCOM Classroom Renovation - 3/15/07 - 11:20 AM - J.C. Steinberg

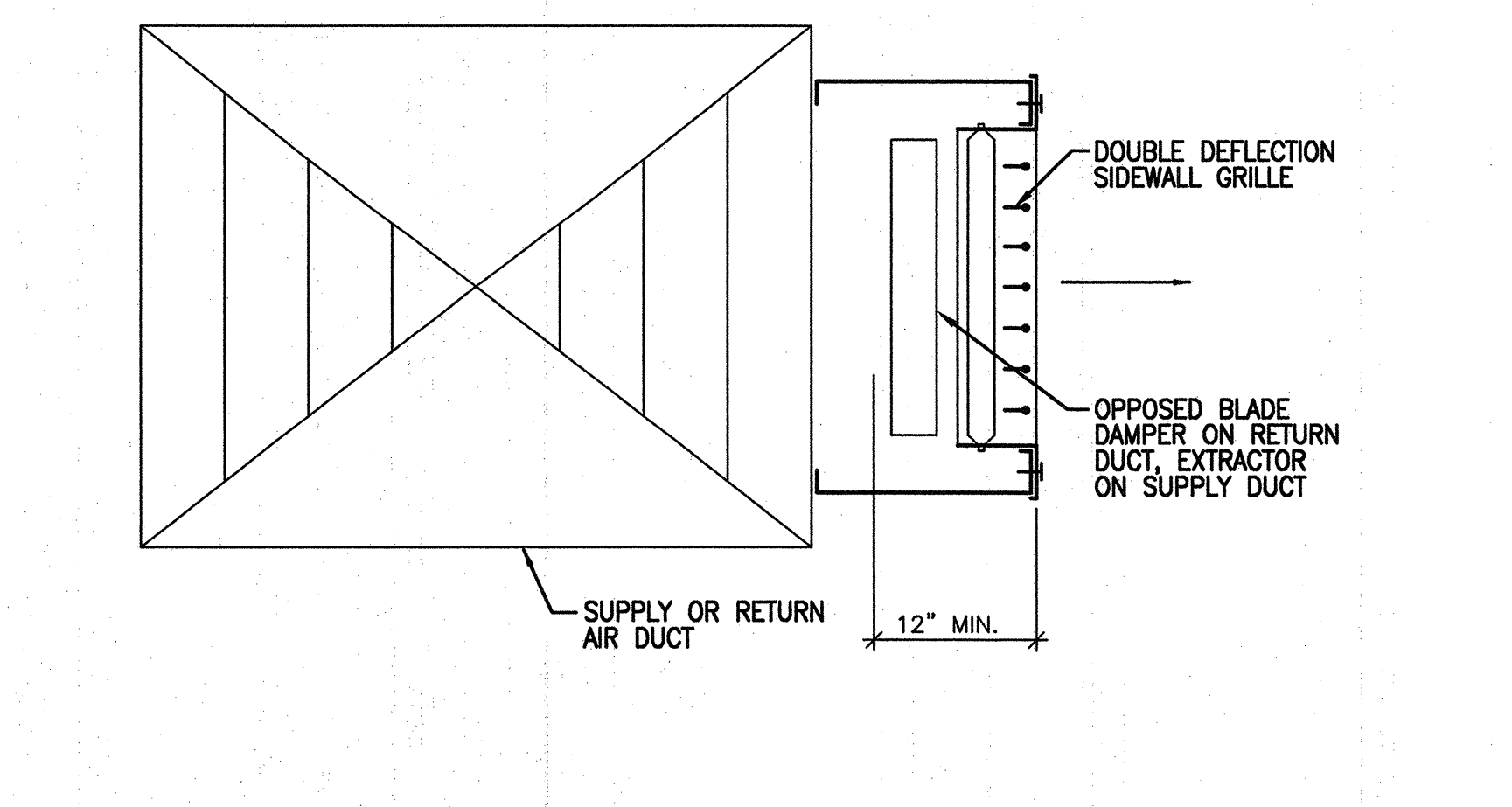


SUSPENDED DIFFUSER CONNECTION

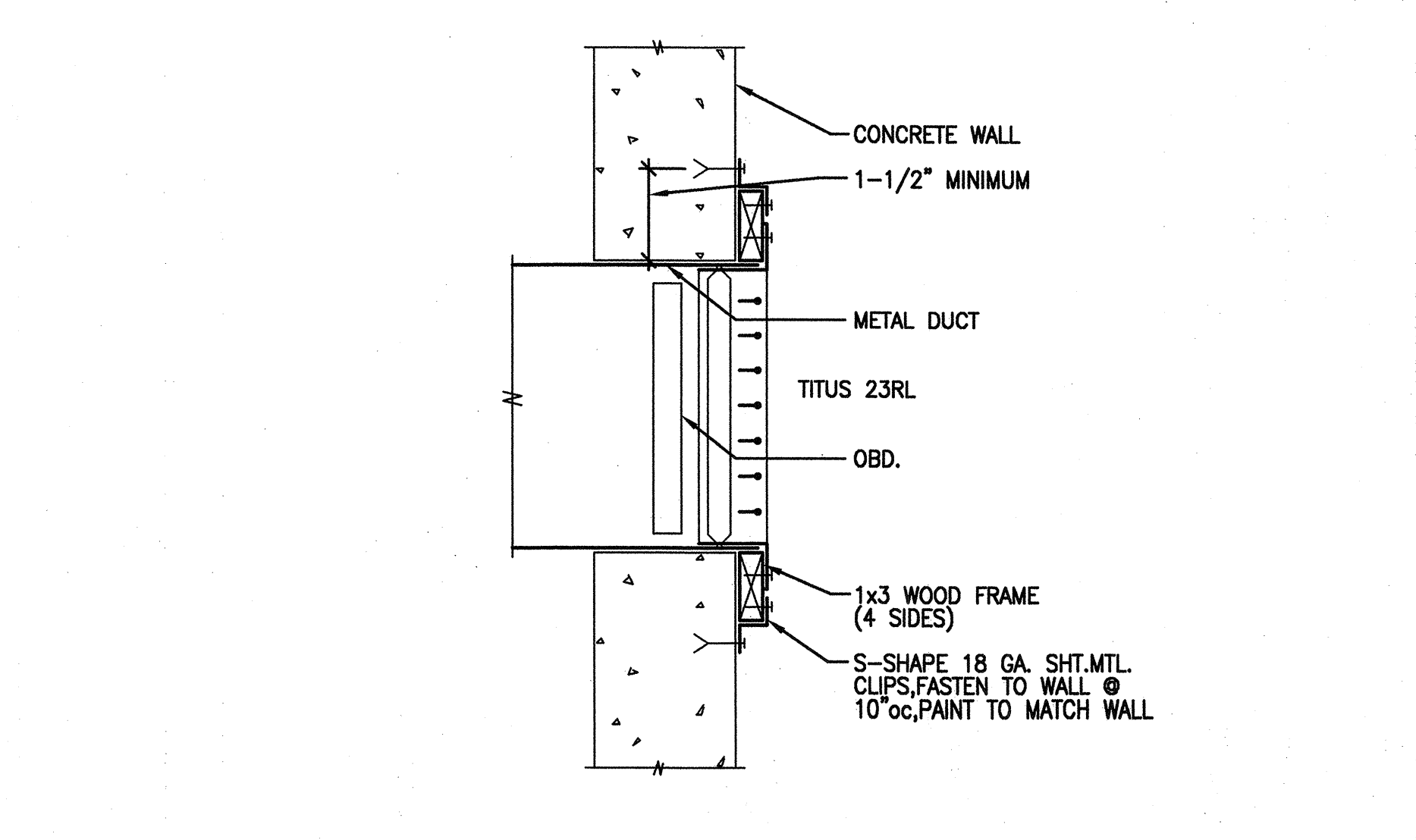


DUCT SUPPORT DETAILS

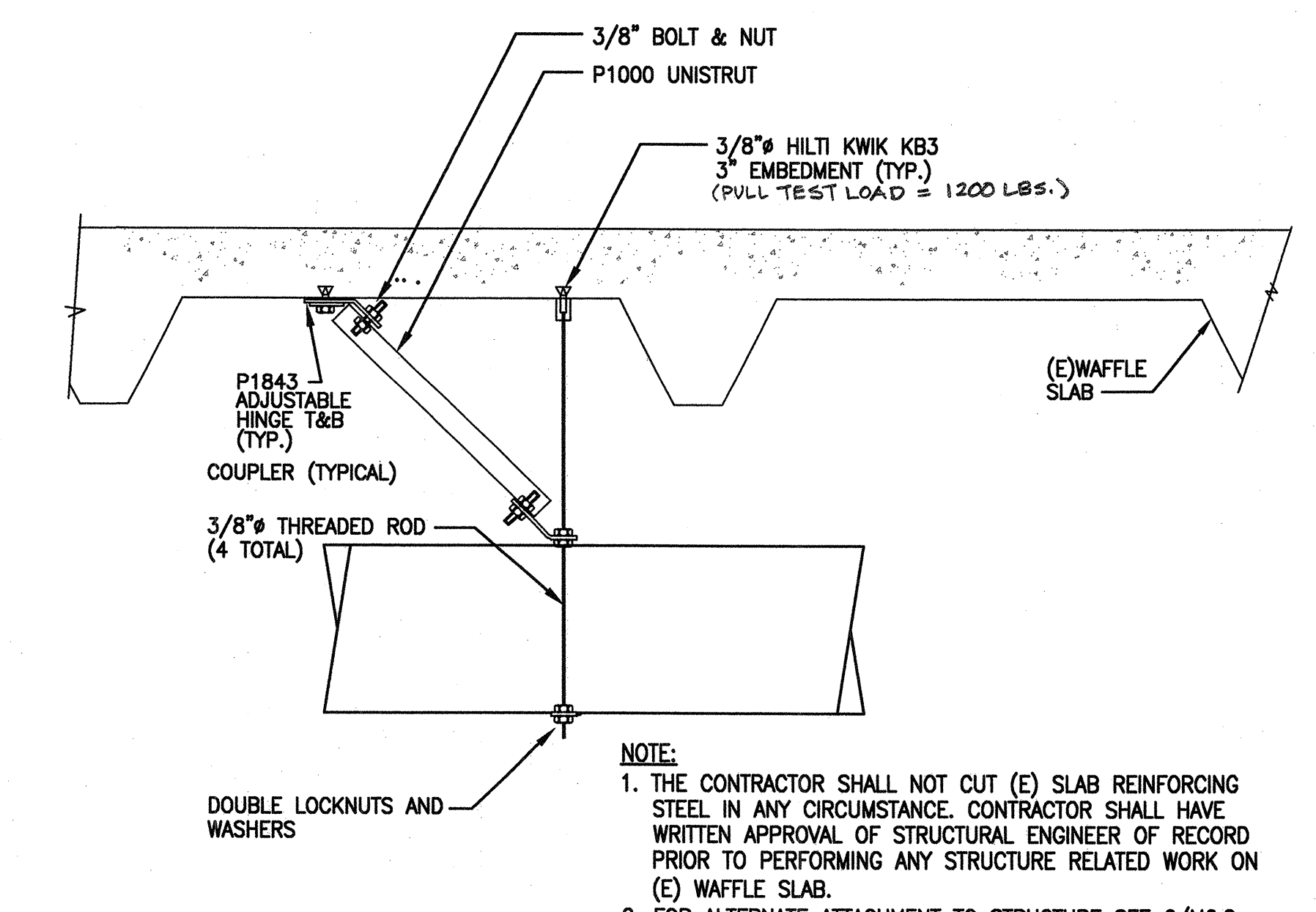
- NOTES:
- REFER TO SPECIFICATIONS FOR HANGER SPACINGS.
 - ATTACHMENTS TO OVERHEAD STRUCTURE SHALL BE MADE IN ACCORDANCE WITH STRUCTURAL ENGINEERS REQUIREMENTS AND WEIGHT LIMITATIONS. ALL ATTACHMENT METHODS TO STRUCTURE SHALL BE SUBMITTED TO ARCHITECT AND STRUCTURAL ENGINEER FOR REVIEW.
 - PROVIDE SWAY & SEISMIC BRACING PER SMACNA SEISMIC GUIDELINES OR MASON SEISMIC RESTRAINT GUIDELINES AND SECTION 1632A.6 OF CALIFORNIA BUILDING CODE 2001 EDITION. CONTRACTOR SHALL INDICATE LOCATIONS OF SEISMIC BRACING ON THE SHOP DRAWING SUBMITTALS.
 - HANGER MATERIAL SUPPORTING FLEXIBLE DUCT SHALL IN NO CASE BE LESS THAN 1 1/2 INCHES WIDE. FLEXIBLE DUCT SHALL BE SUPPORTED PER MANUFACTURER'S RECOMMENDED MATERIALS, BUT AT NO GREATER DISTANCE THAN 4 FEET MAX. PERMISSIBLE SAG IS MAX. 1/2 INCHES PER FOOT OF SPACING BETWEEN SUPPORTS.



SIDEWALL GRILLE ON DUCT



GRILLE ON CONCRETE WALL



LONGITUDINAL SEISMIC BRACING OF DUCTWORK DETAIL

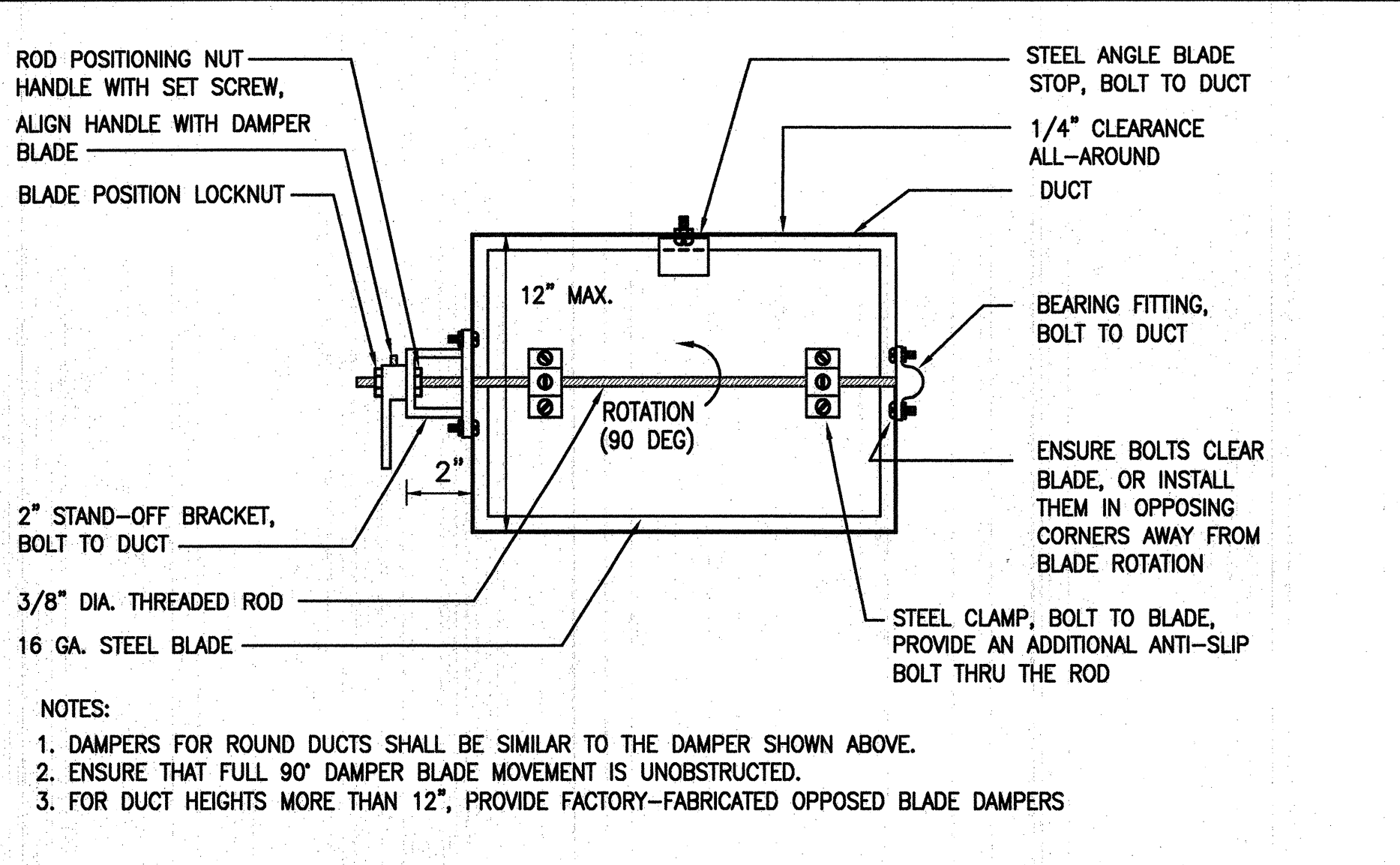
- NOTE:
- THE CONTRACTOR SHALL NOT CUT (E) SLAB REINFORCING STEEL IN ANY CIRCUMSTANCE. CONTRACTOR SHALL HAVE WRITTEN APPROVAL OF STRUCTURAL ENGINEER OF RECORD PRIOR TO PERFORMING ANY STRUCTURE RELATED WORK ON (E) WAFFLE SLAB.
 - FOR ALTERNATE ATTACHMENT TO STRUCTURE SEE 6/M6.2.

IDENTIFICATION STAMP
DIV. OF THE STATE ARCHITECT

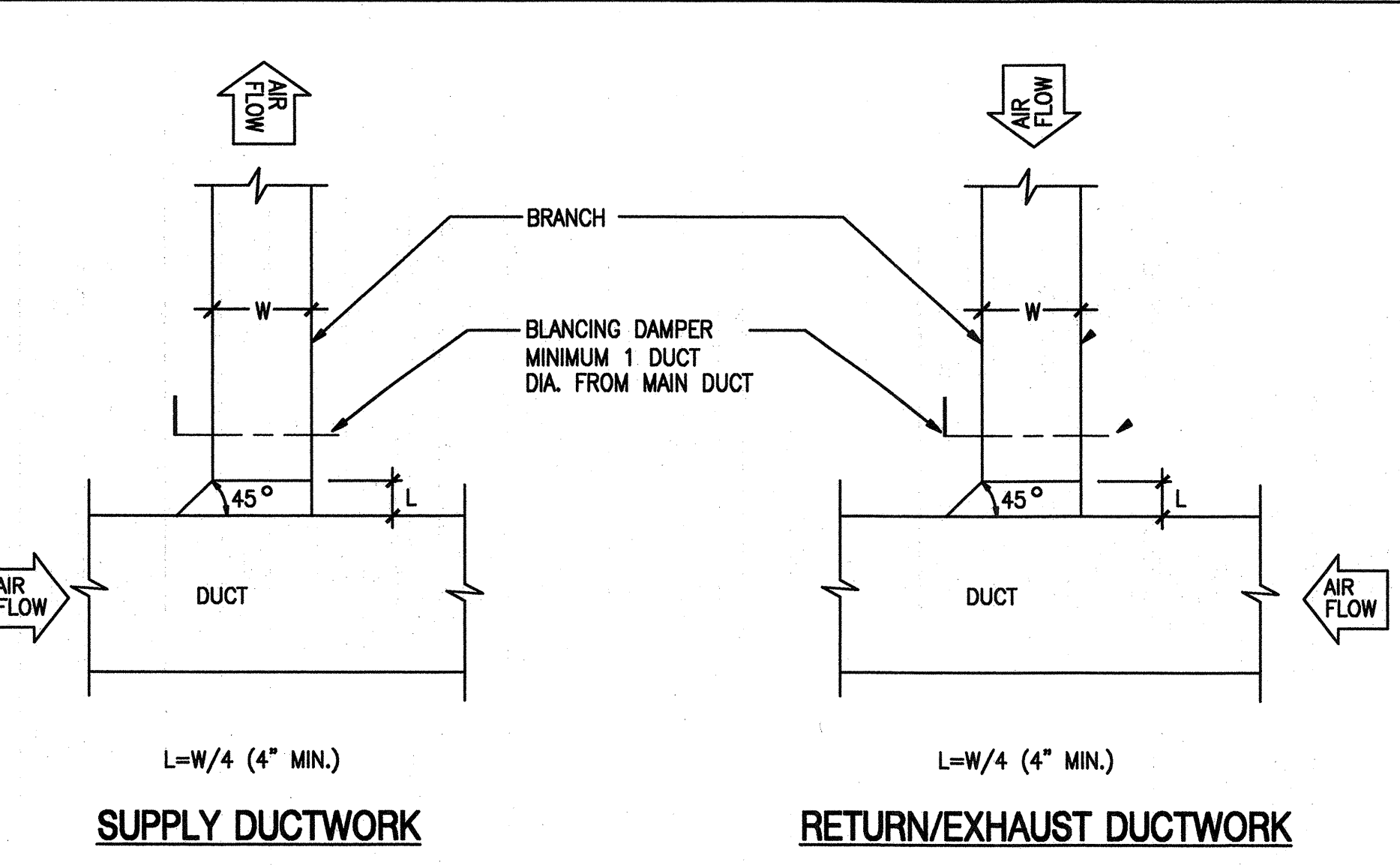
APPL. # 01-108576
FILE # 41-C1

DATE 3-17-07

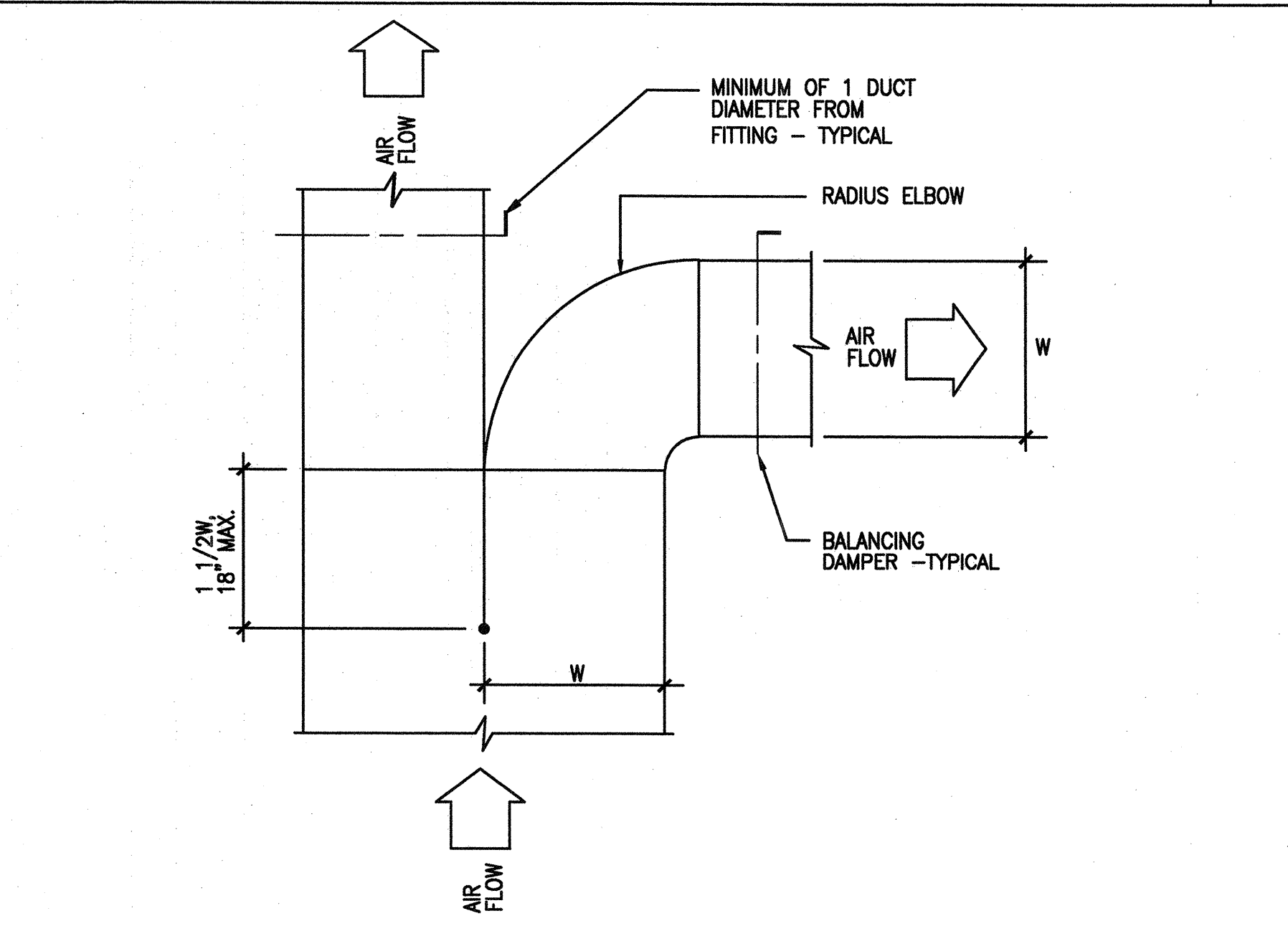
02.02.07	DSA SUBMITTAL
	DSA BACKCHECK
rev.	date
	issue



MANUAL DAMPER (ADJUSTABLE SINGLE-BLADE BALANCING TYPE)



LOW-LOSS FITTING RECTANGULAR TO RECTANGULAR



HORIZONTAL/VERTICAL DUCT SPLIT

