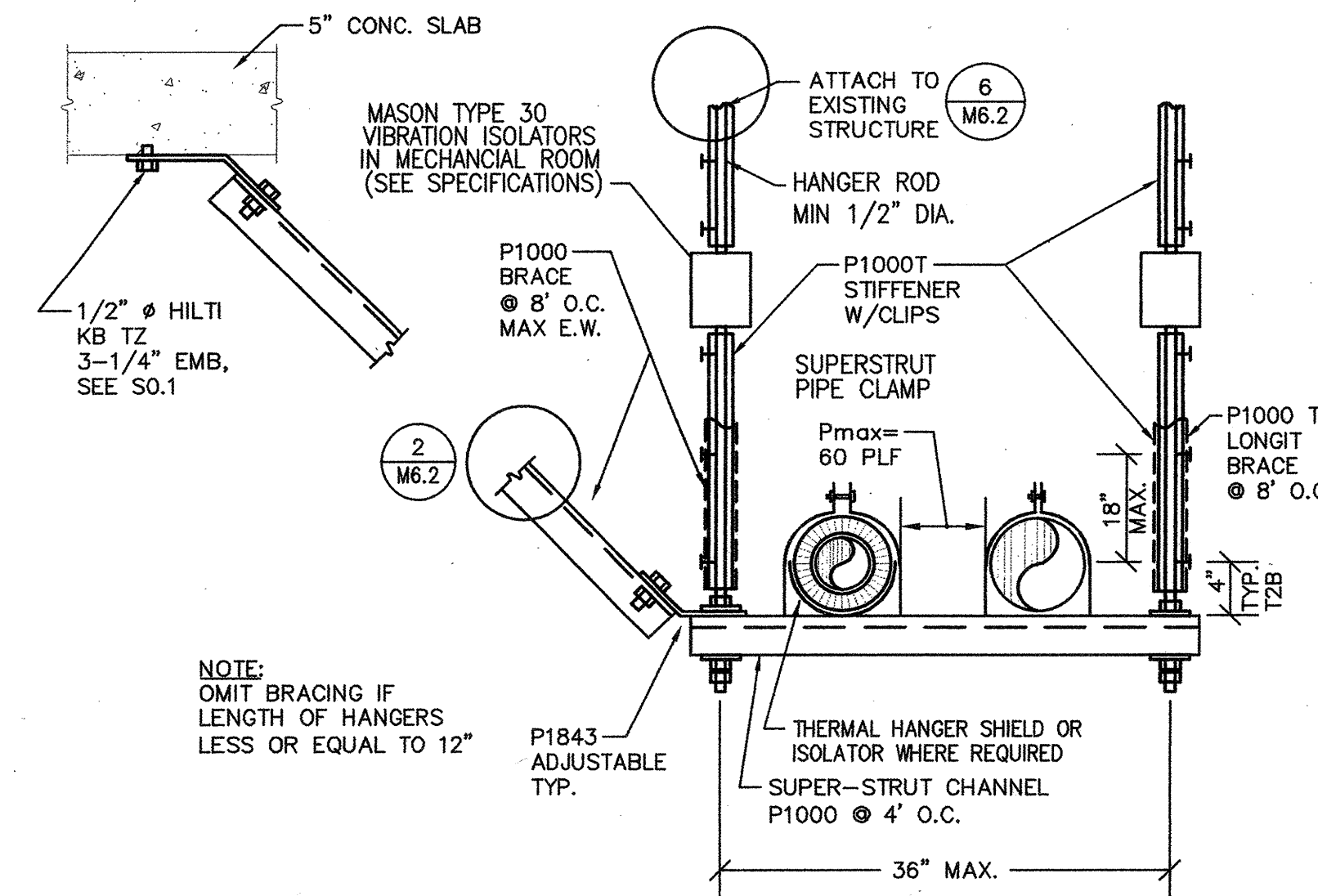


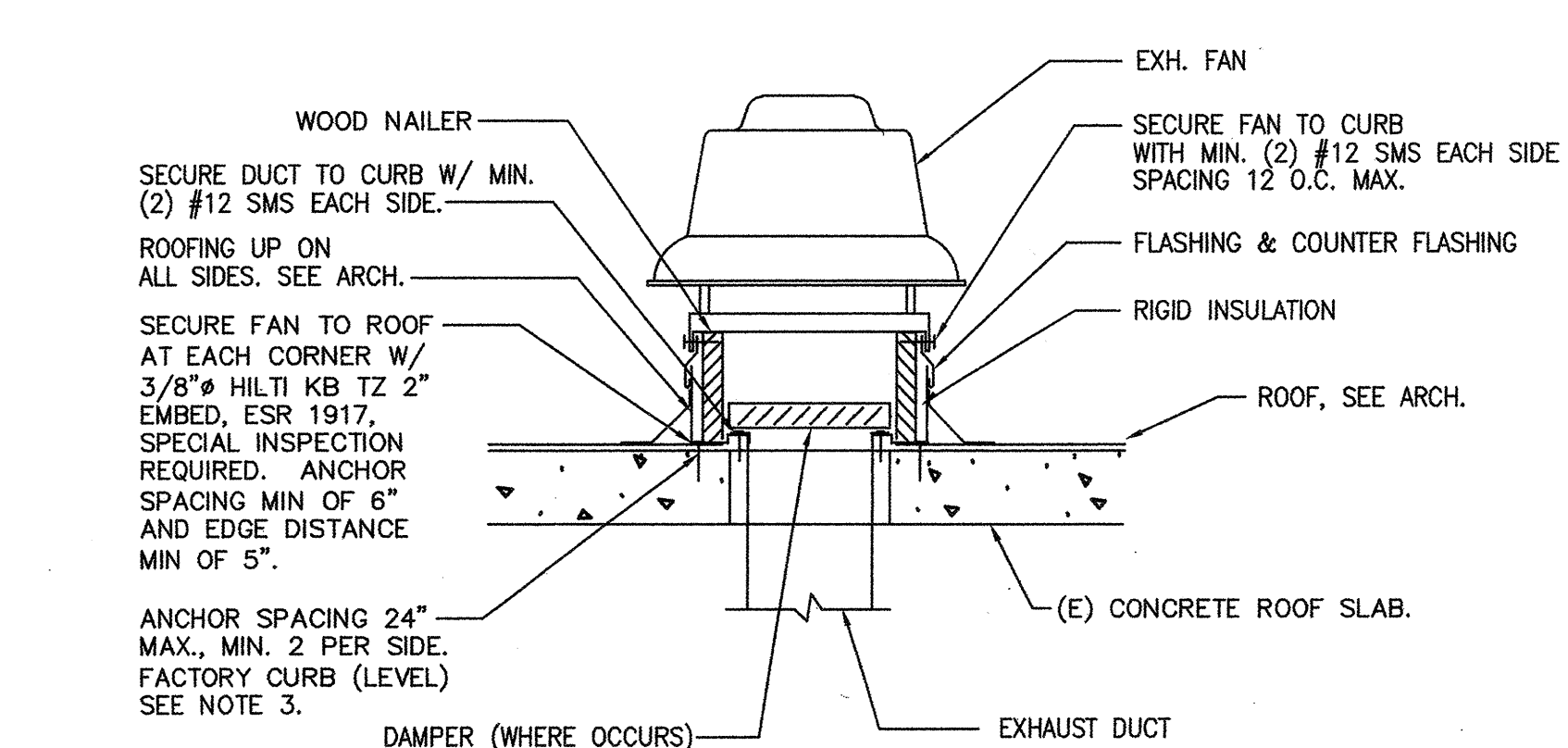
1 VAV TERMINAL UNIT DETAIL
NO SCALE

NOTES:
1. BRANCH DUCT SIZE TO MATCH UNIT INLET CONNECTION. FOR BRANCH DUCTS OVER SIX FEET IN LENGTH, INCREASE BRANCH DUCT ONE SIZE AND PROVIDE TRANSITION IMMEDIATELY UPSTREAM OF MINIMUM STRAIGHT DUCT RUN.
2. MINIMUM 5'-0" LONG LINED PLENUM EQUAL TO TERMINAL BOX OUTLET SIZE.
3. MINIMUM STRAIGHT DUCT RUN:

DUCT DIA (IN)	MIN STRAIGHT RUN (IN)
6	24
8	32
10	40
12	48
14	60

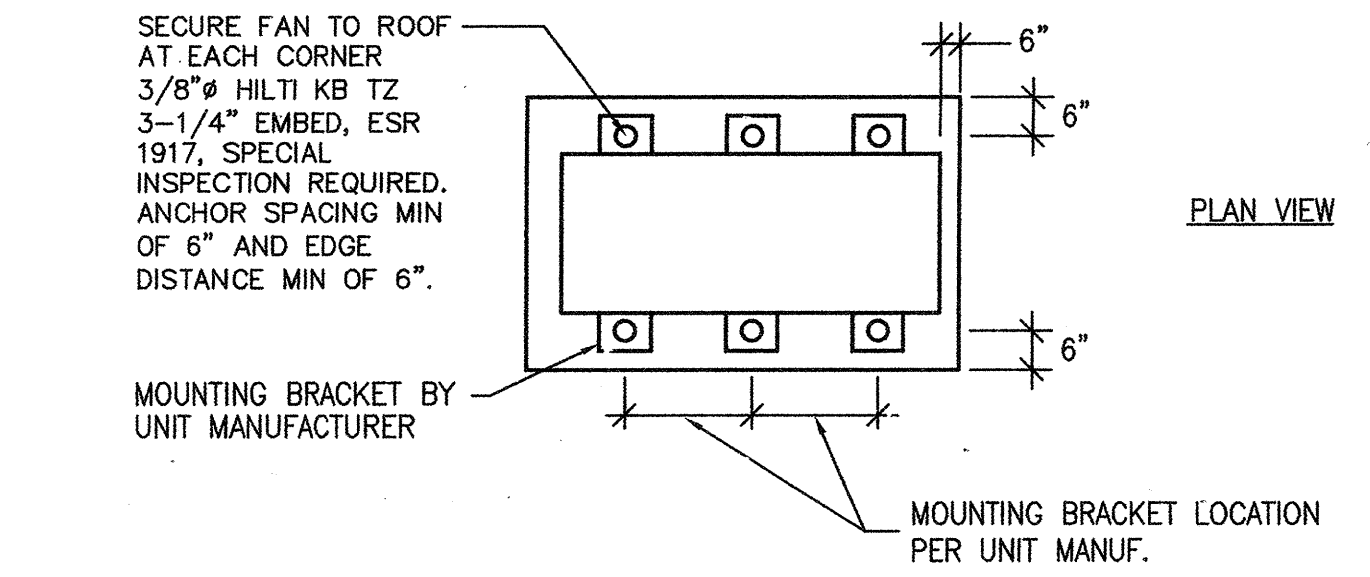


2 TRAPEZE PIPE HANGER DETAIL
NO SCALE

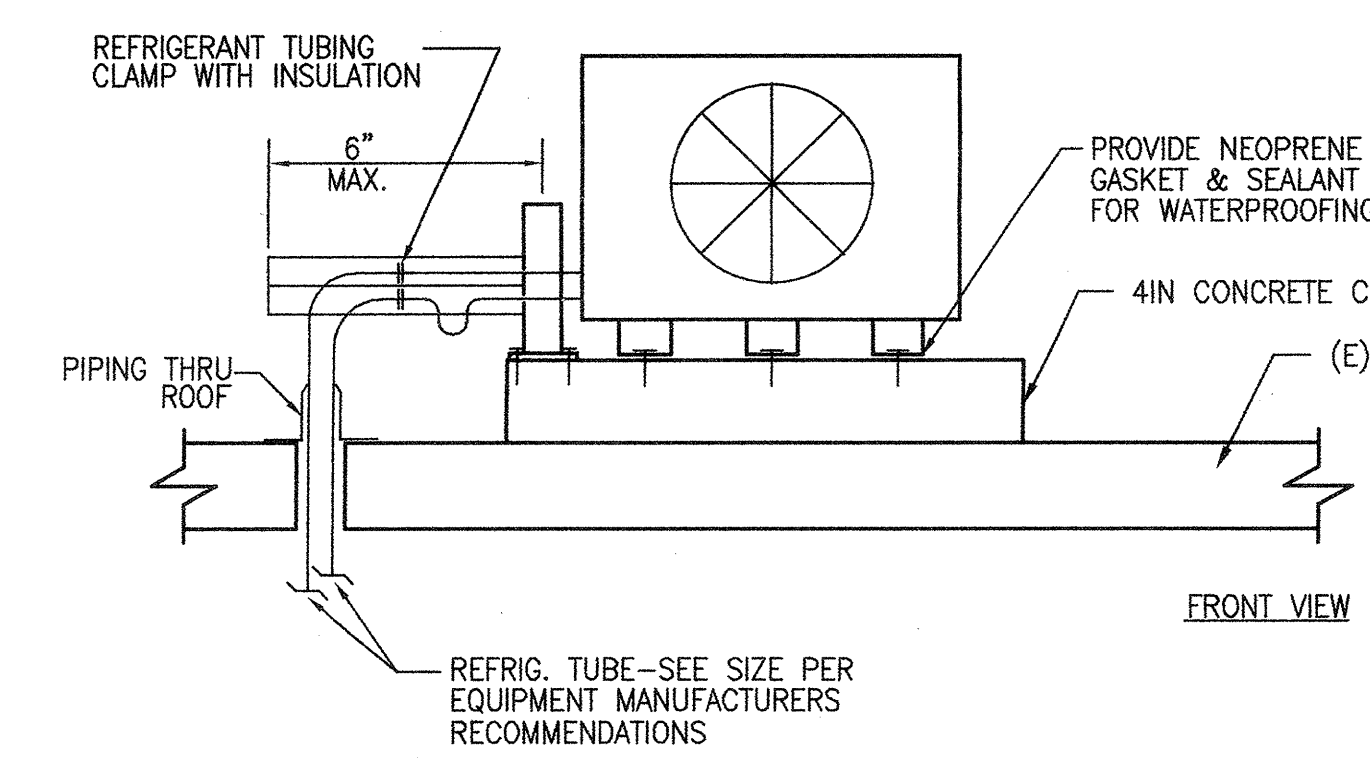


3 ROOF EXHAUST FAN
NO SCALE

NOTES:
1. COORDINATE SIZE AND LOCATION OF ROOF PENETRATION WITH STRUCTURAL ENGINEER AND GENERAL CONTRACTOR.
2. SEE 16/A10.7 FOR DETAILS NOT SHOWN OR NOTED.
3. SCAN FOR REBAR PRIOR TO DRILLING HOLES FOR ANCHORS. DO NOT CUT OR DAMAGE REBAR. SEE GENERAL NOTES ON SHEET S0.1.

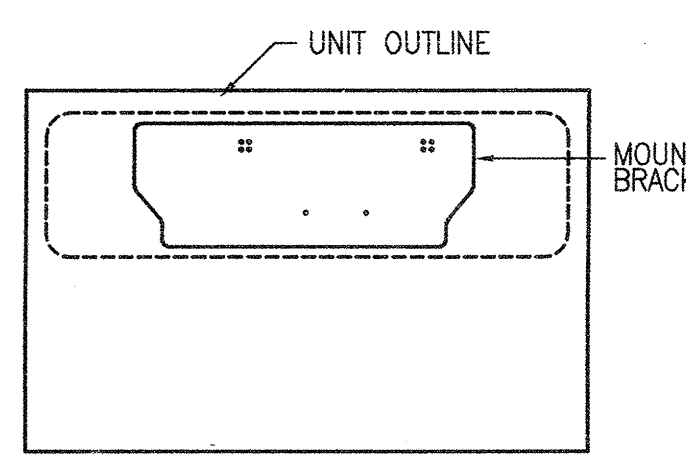


PLAN VIEW

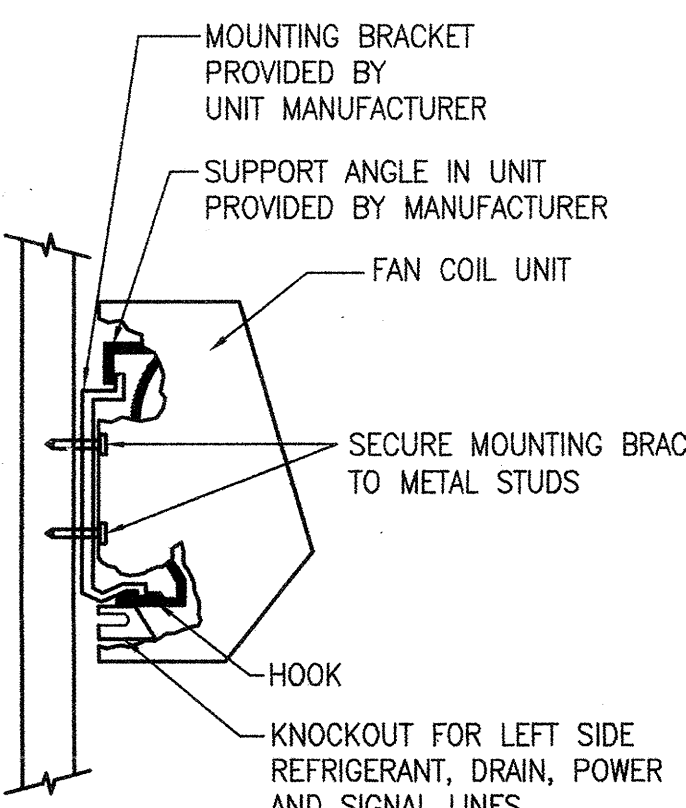


FRONT VIEW

CONDENSATE UNIT MOUNTING DETAIL ON ROOF



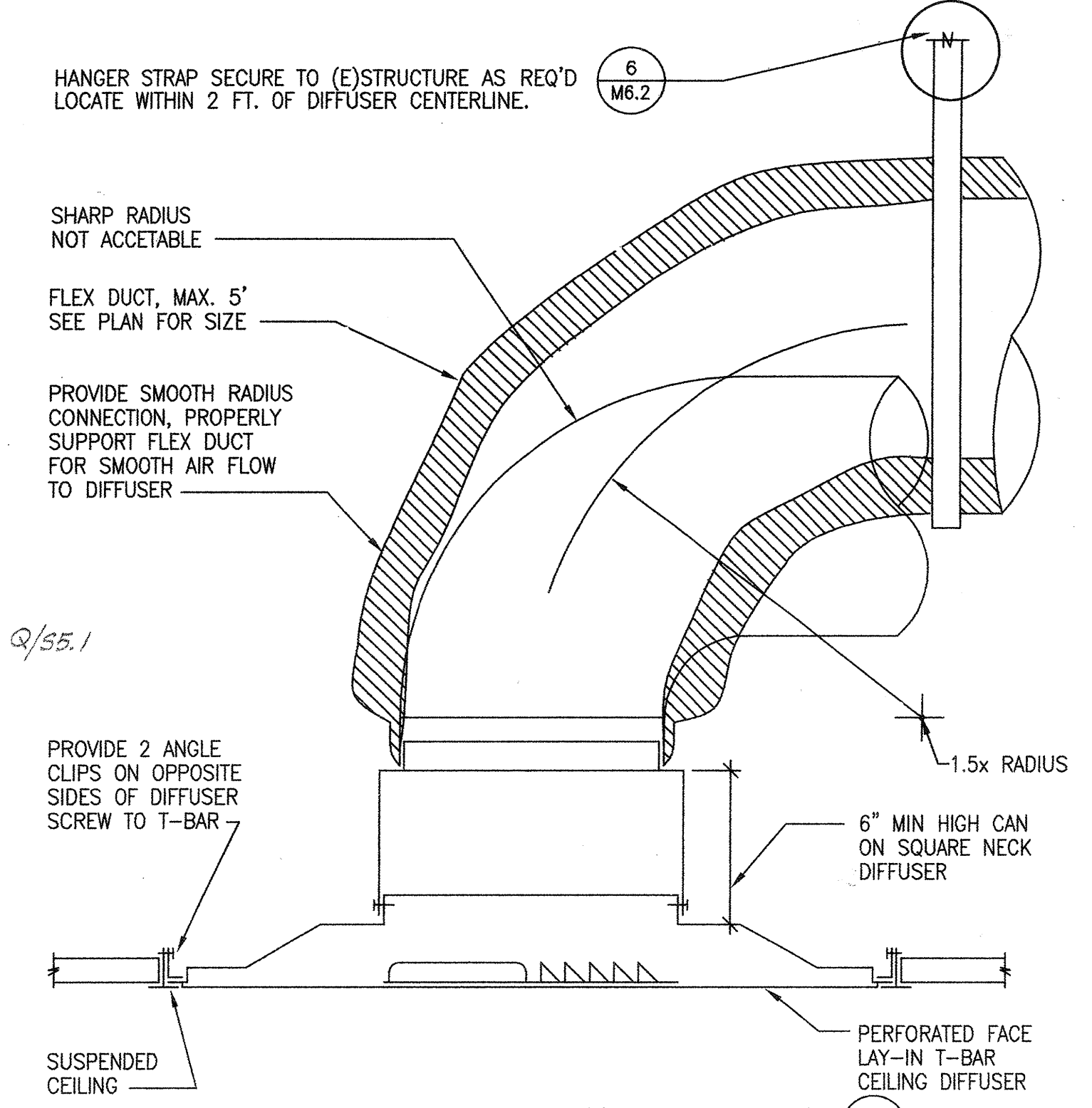
REAR VIEW



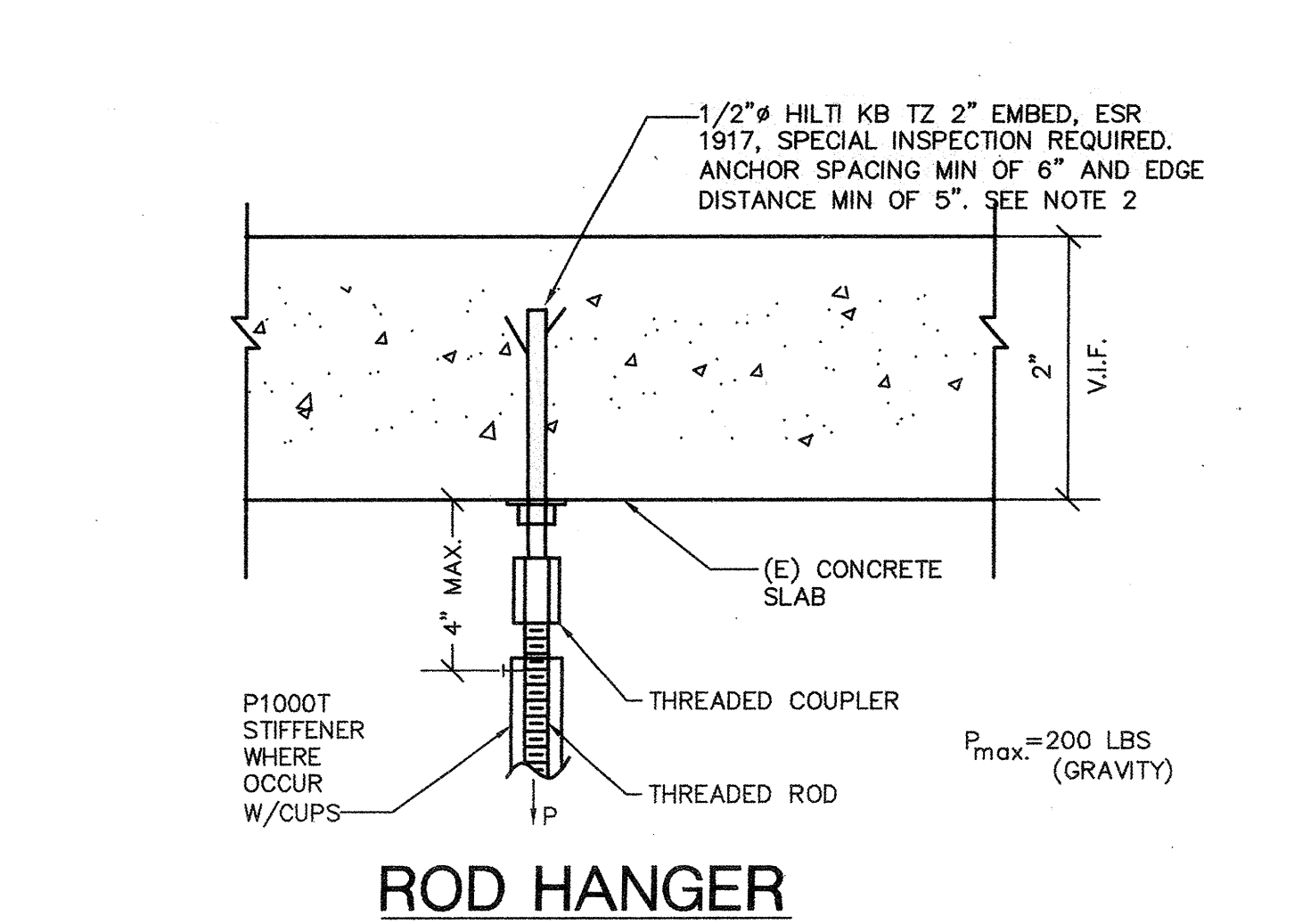
SIDE VIEW

NOTE:
1. FOR DRAIN CONNECTION, REFER TO PLUMBING DRAWINGS.
FAN COIL UNIT MOUNTING DETAIL ON WALL

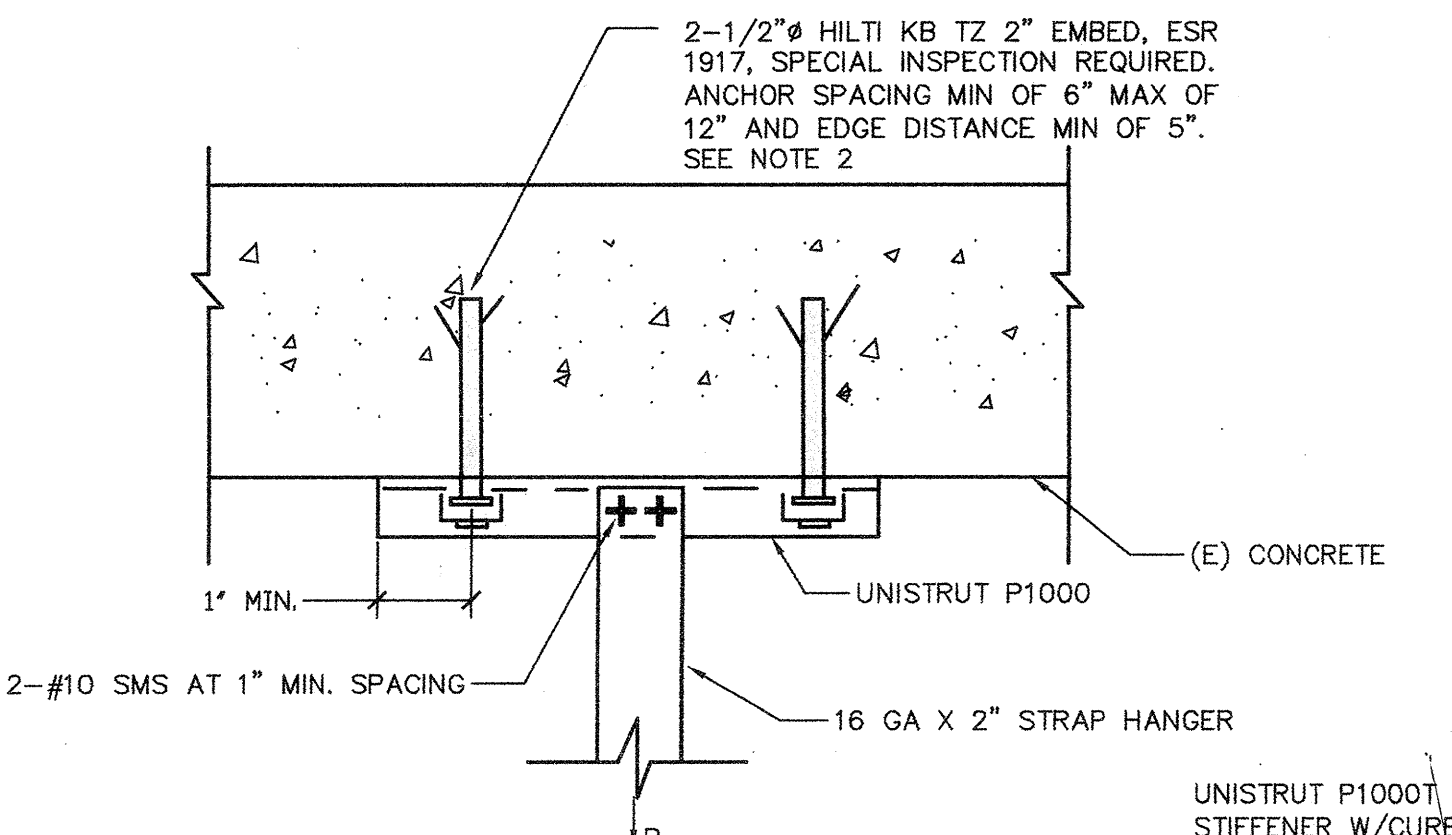
4 SPLIT SYSTEM MOUNTING DETAIL
NO SCALE



5 CEILING DIFFUSER CONNECTION DETAIL
NO SCALE



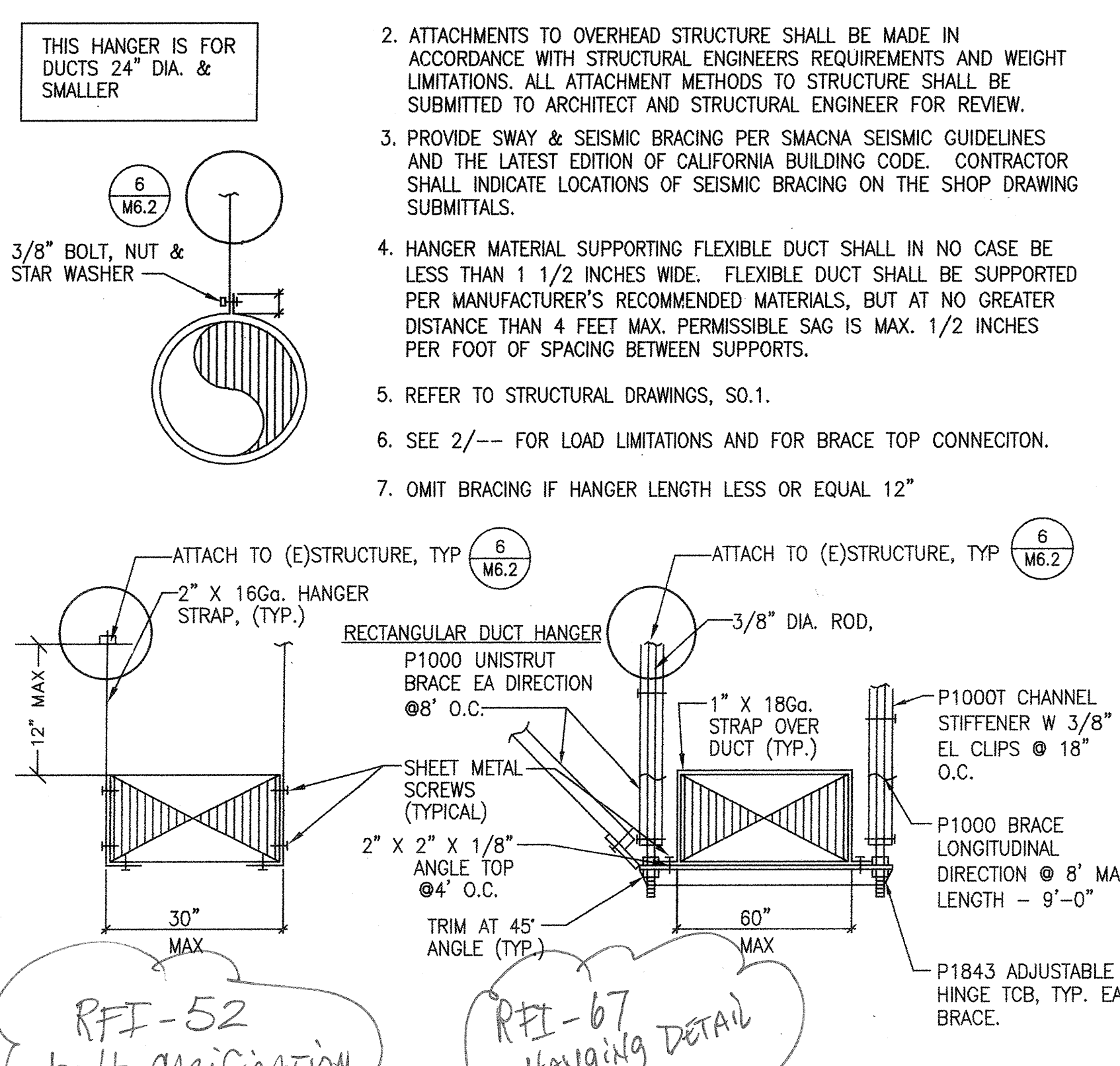
ROD HANGER



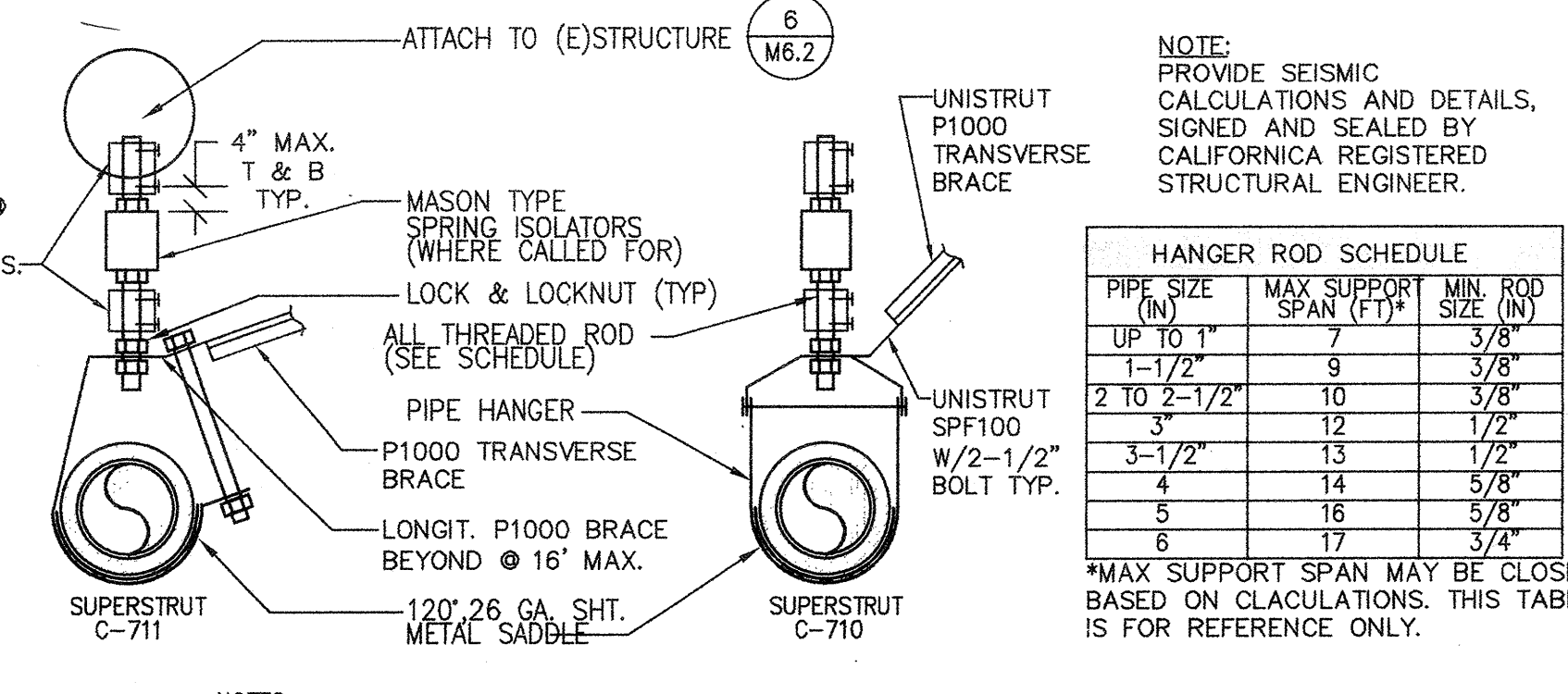
STRAP HANGER

NOTE:
1. PROVIDE SEISMIC CALCULATIONS AND DETAILS, SIGNED AND SEALED BY CALIFORNIA REGISTERED STRUCTURAL ENGINEER. NO CUTTING OR DAMAGING OF REBAR.
2. SCAN REBAR PRIOR TO DRILLING FOR ANCHOR INSTALLATION. DO NOT CUT OR DAMAGE (E) REBAR

6 CONNECTION TO EXISTING STRUCTURE
NO SCALE



7 DUCT HANGER DETAILS
NO SCALE



8 PIPE HANGER DETAILS
NO SCALE

NOTE: PROVIDE SEISMIC CALCULATIONS AND DETAILS, SIGNED AND SEALED BY CALIFORNIA REGISTERED STRUCTURAL ENGINEER.

PIPE SIZE (IN)	MAX SUPPORT SPAN (FT)	MIN ROD SIZE (IN)
UP TO 1"	7	3/8"
1-1/2"	9	3/8"
2 TO 2-1/2"	10	3/8"
3"	12	1/2"
3-1/2"	13	1/2"
4"	14	3/8"
5"	16	3/8"
6"	17	3/4"

*MAX SUPPORT SPAN MAY BE CLOSER BASED ON CALCULATIONS. THIS TABLE IS FOR REFERENCE ONLY.

NOTES:
1. ATTACHMENT TO OVERHEAD STRUCTURE SHALL BE MADE IN ACCORDANCE WITH STRUCTURAL ENGINEERS REQUIREMENTS AND WEIGHT LIMITATION PER T/S5.2
2. PROVIDE SWAY & SEISMIC BRACING PER MASON SEISMIC GUIDELINES, INCLUDING ALL ANGLE, LONGITUDINAL AND TRANSVERSE.
3. SEE 2/-- FOR BRACE TOP CONNECTION.
4. OMIT BRACING IF PIPE HANGER ROD LENGTH IS LESS OR EQUAL 12".

Bunton Clifford Associates, Inc.
210 Hammond Ave.
Fremont, California 94539
[T] 510.445.1000 [F] 510.445.1005
www.BCAincOnline.com

PROJECT: 2007-0731
CONTACT: Omar Hawit
INTERFACE
ENGINEERING
717 Market Street
Suite 500
San Francisco, CA 94103
TEL: 415.489.7240
FAX: 415.489.7289
www.interfaceengineering.com

ARCHITECT: [Signature]
ENGINEER: [Signature]

1. This sheet is part of a set and is not to be used alone.
2. This sheet is not to be used for construction unless the architect's stamp and signature appear on the drawings and the status box indicates drawings have been released for construction.
3. These plans and prints thereof, as instruments of service, are created by the architect and are for use on this project only. Reproduction and/or distribution without the prior written consent of the architect is forbidden.
4. Copyright Bunton Clifford Associates, 2007

REVISION HISTORY	DATE

DRAWING STATUS:
 DSA PLAN CHECK
 DSA BACK-CHECK
 BIDDING (BID #9959)
 CONSTRUCTION

FILE NO. 41-C1
IDENTIFICATION STAMP
DIV. OF THE STATE ARCHITECT
01-110074
AC [Signature] PLS [Signature] SS [Signature]
DATE: MAR 19 2009

BUILDINGS 5 & 6 RENOVATIONS
San Mateo County Community College District

DSA BACK-CHECK

CAÑADA COLLEGE
4200 Farm Hill Boulevard
Redwood City, CA 94061

MECHANICAL DETAILS

Date: 01/22/09
Scale: AS NOTED
Project Number: 07013
Drawing Number: M6.2