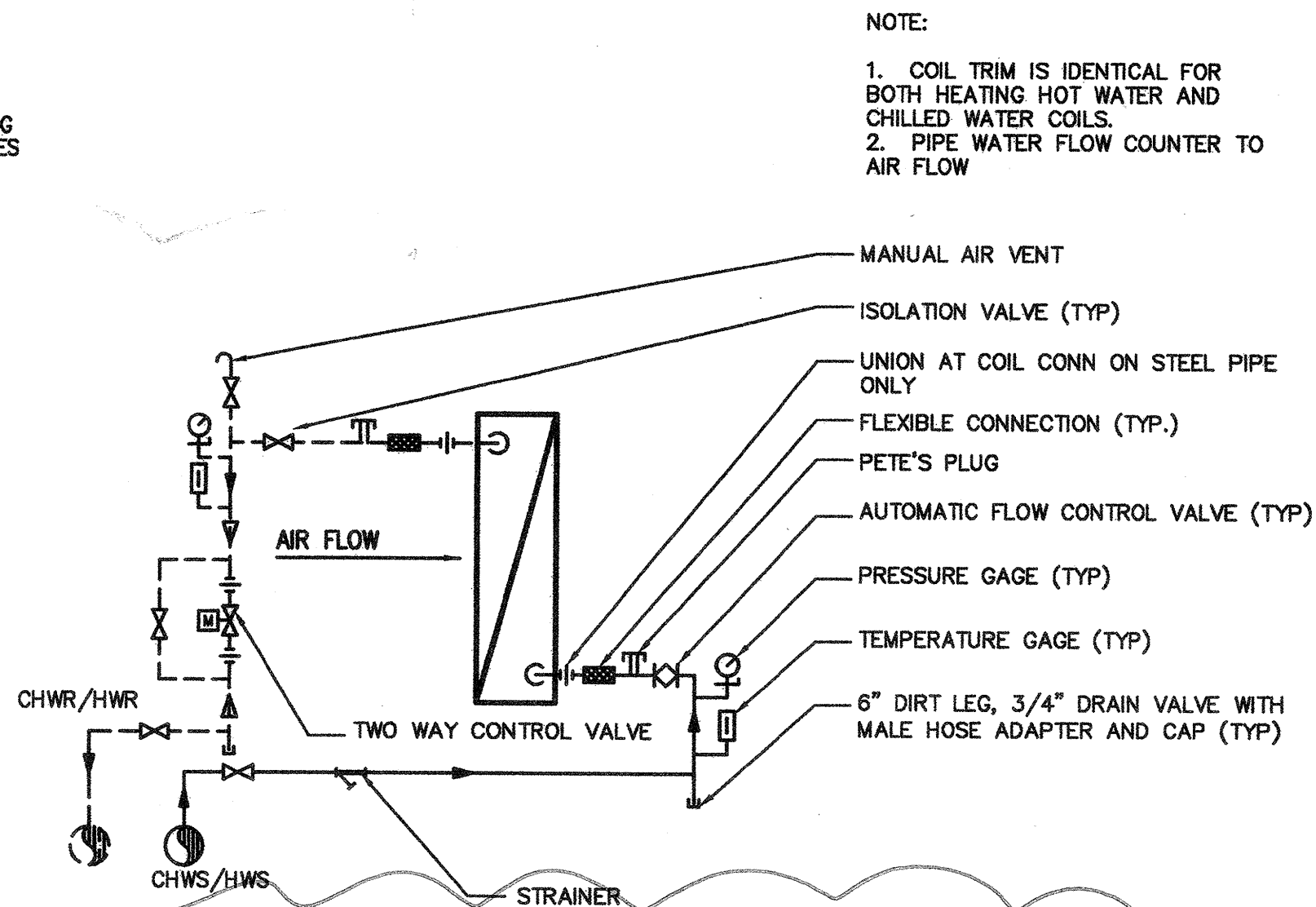
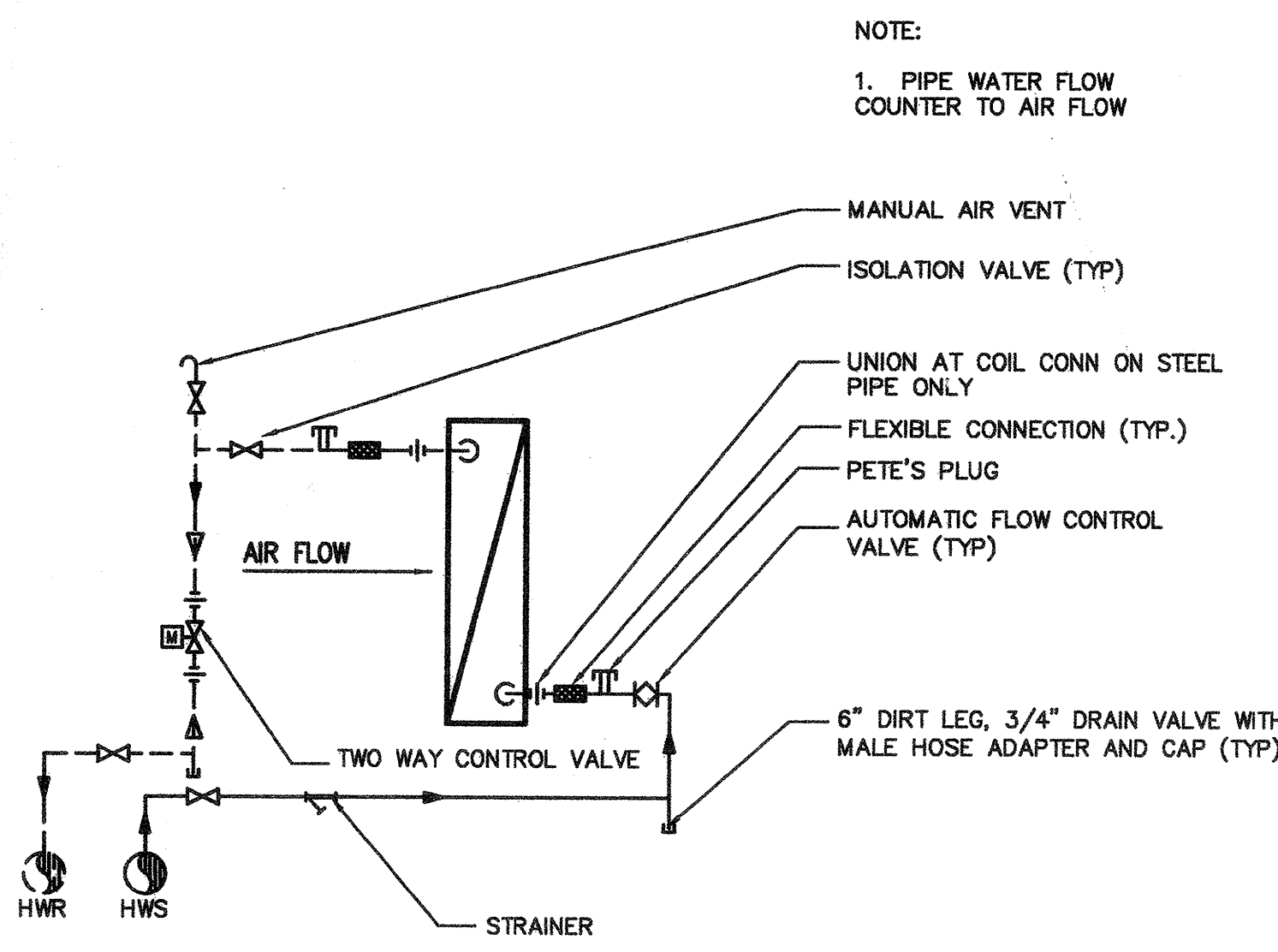


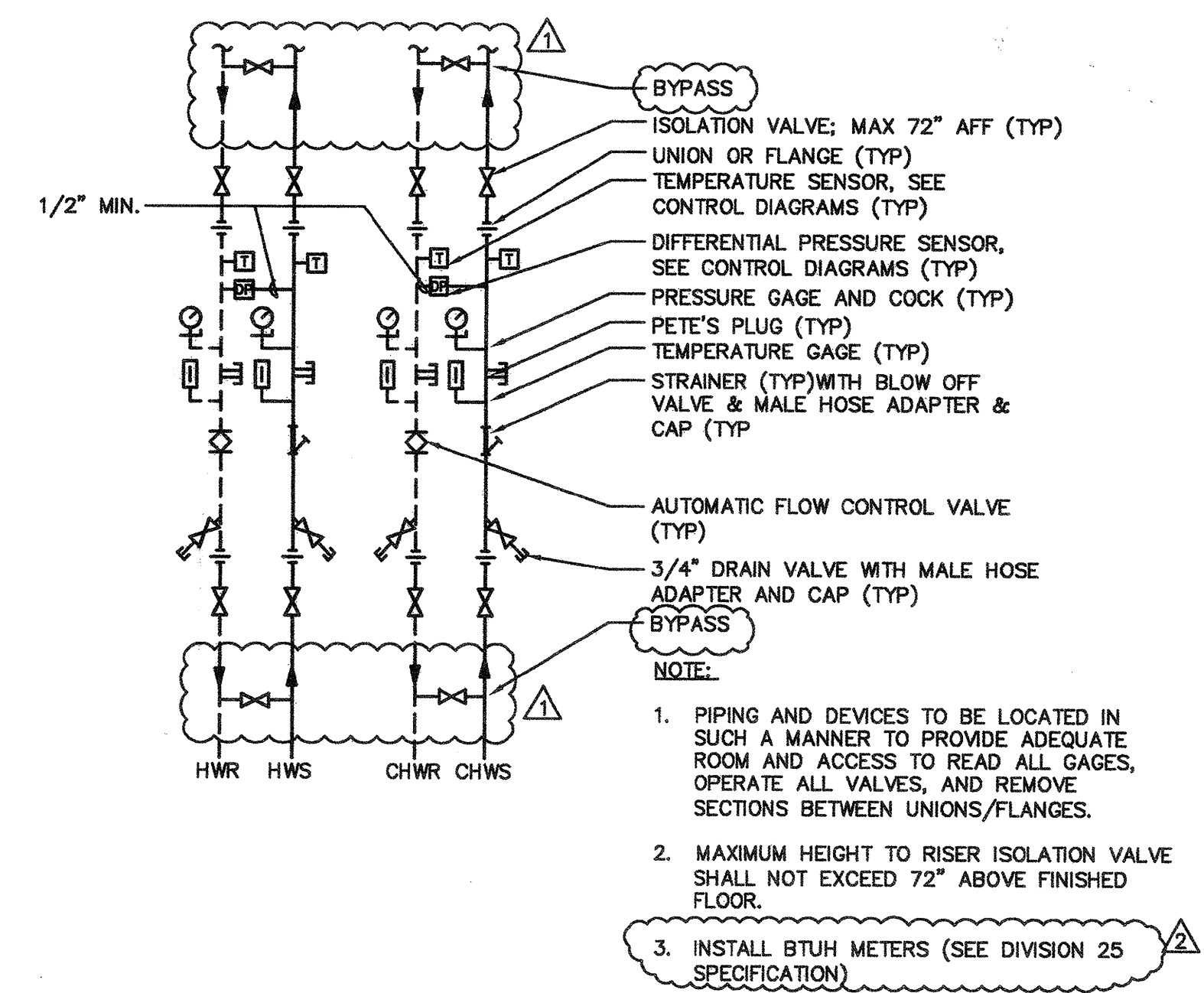
**1 CONDENSATE DRAIN DETAIL**  
NO SCALE



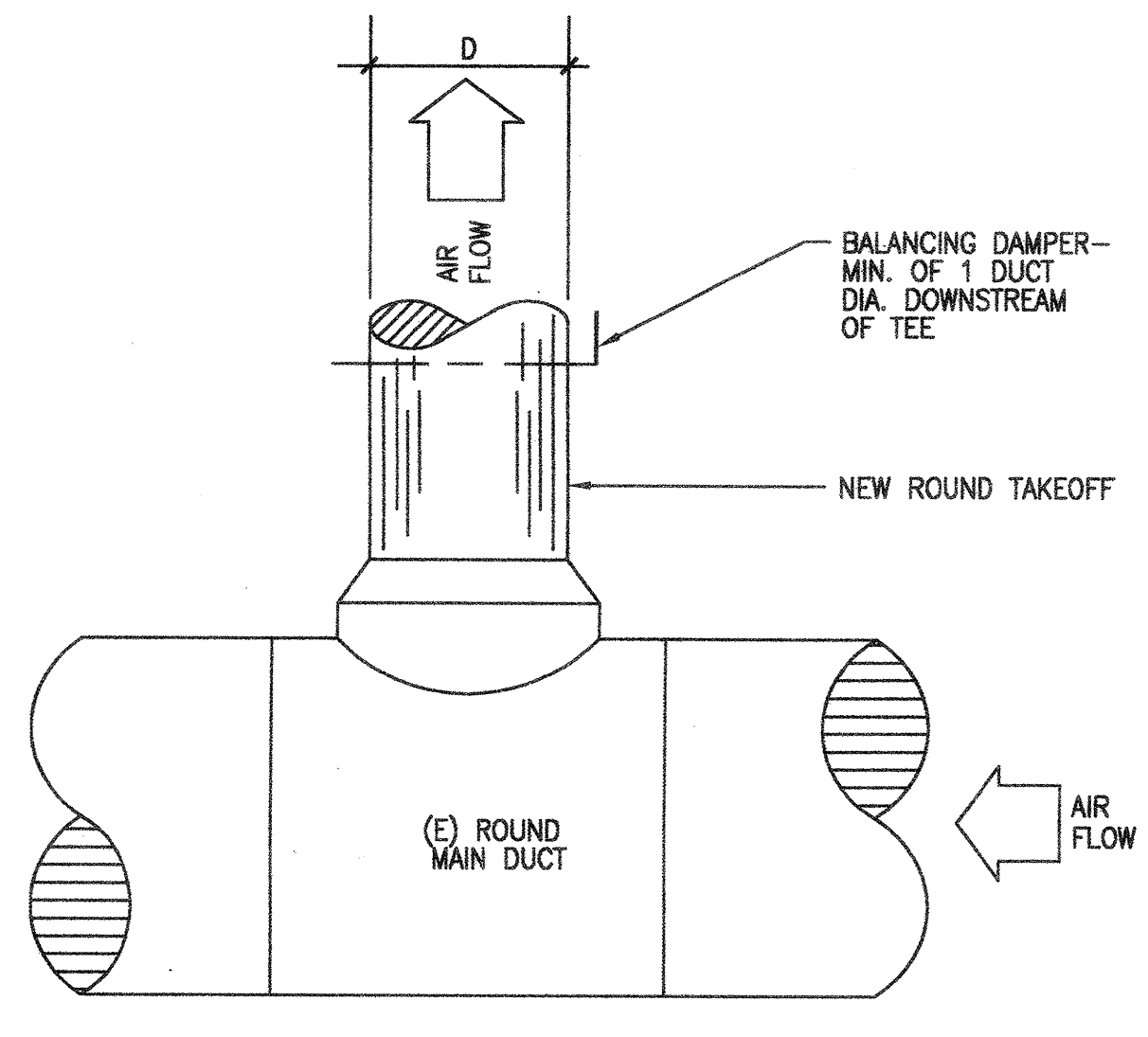
**2 AIR HANDLING UNIT COIL DETAIL**  
NO SCALE



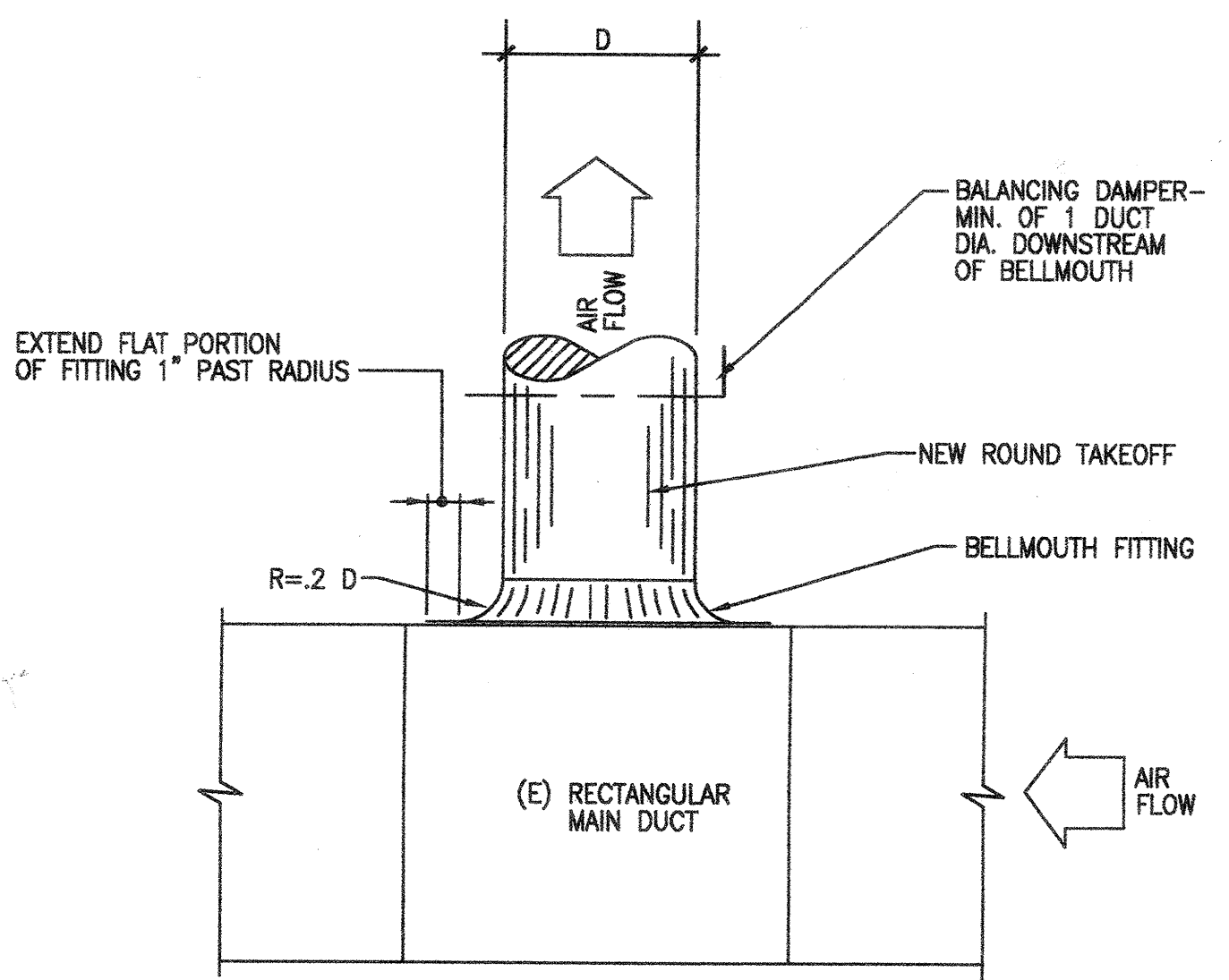
**3 VAV COIL PIPING DETAIL**  
NO SCALE



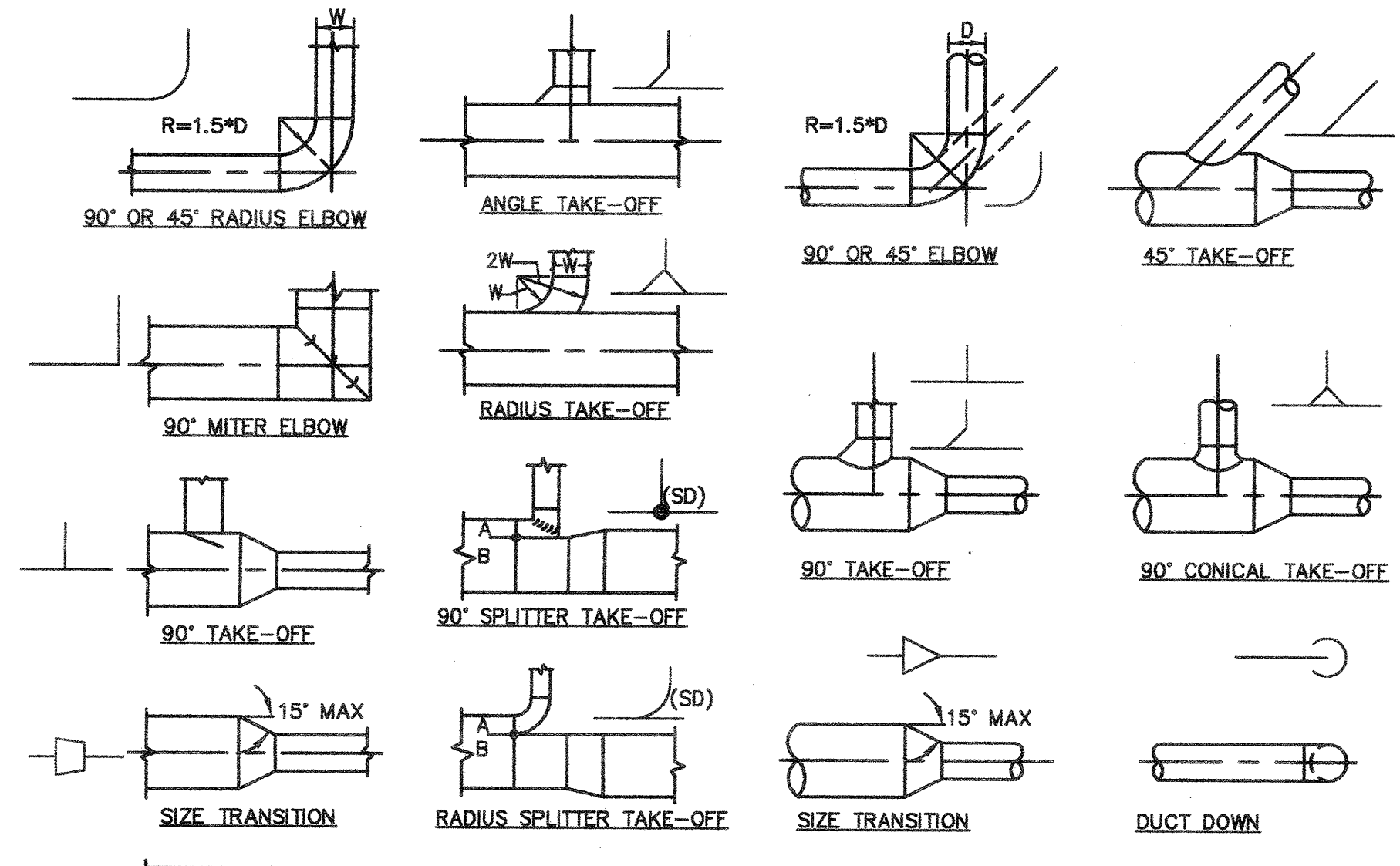
**4 CHW AND HW WATER BLDG ENTRY DIAGRAM**  
NO SCALE



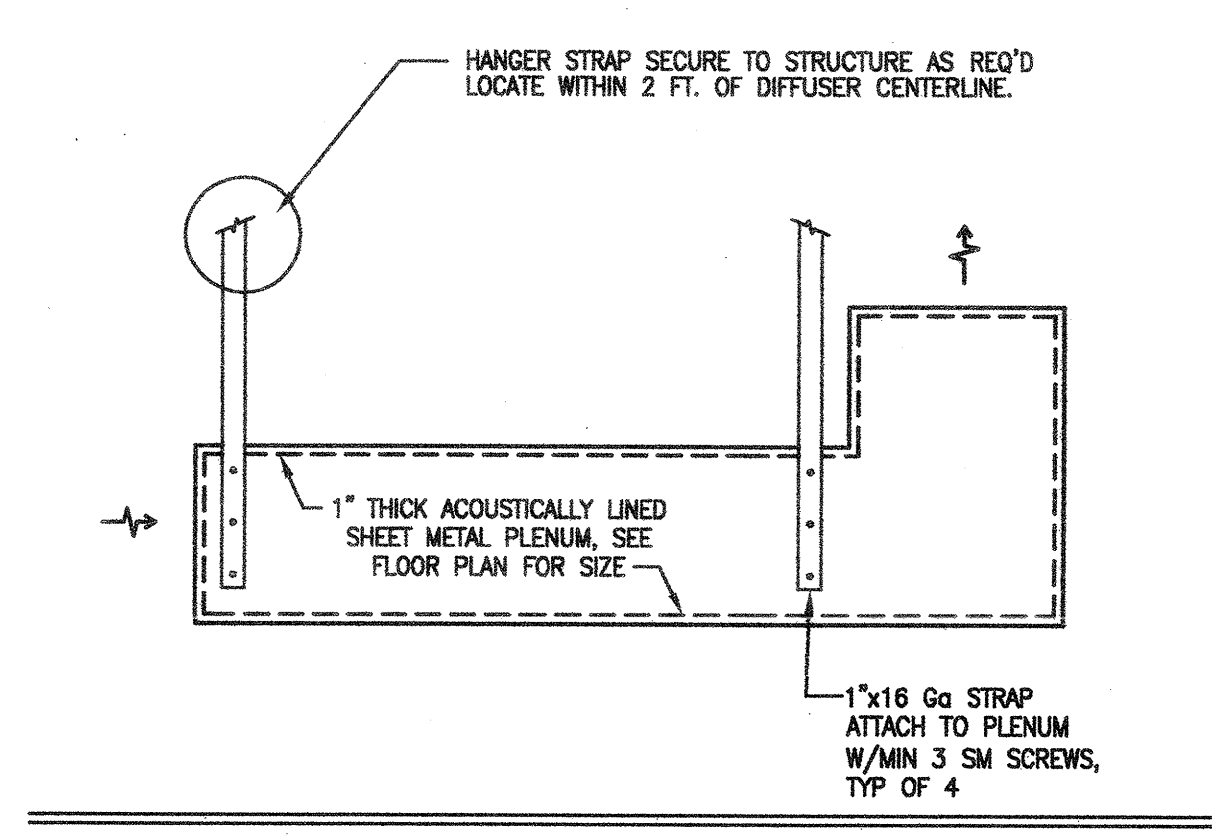
**5 DUCT TAPPING DETAIL**  
NO SCALE



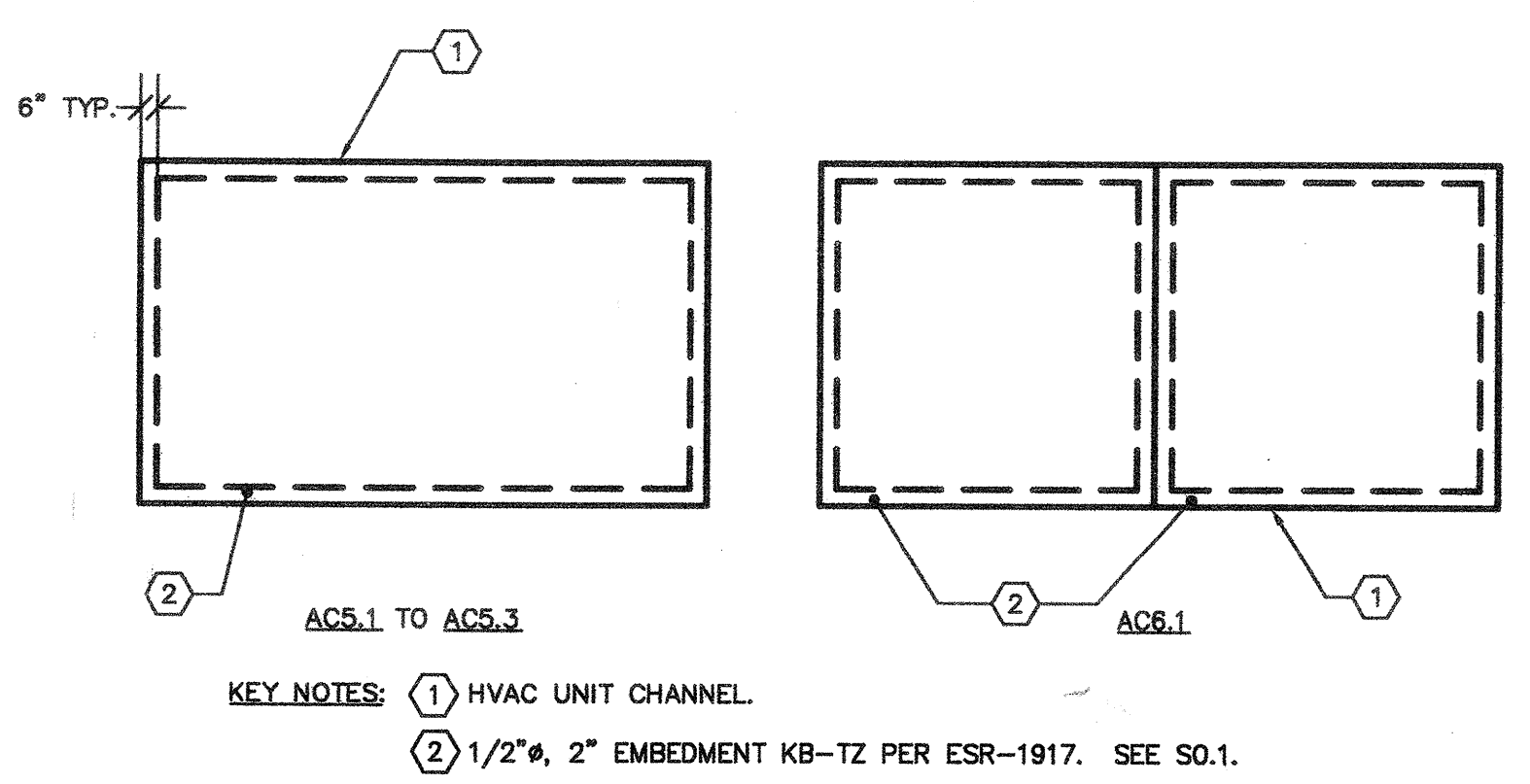
**6 HORIZONTAL/VERTICAL DUCT SPLIT DETAIL**  
NO SCALE



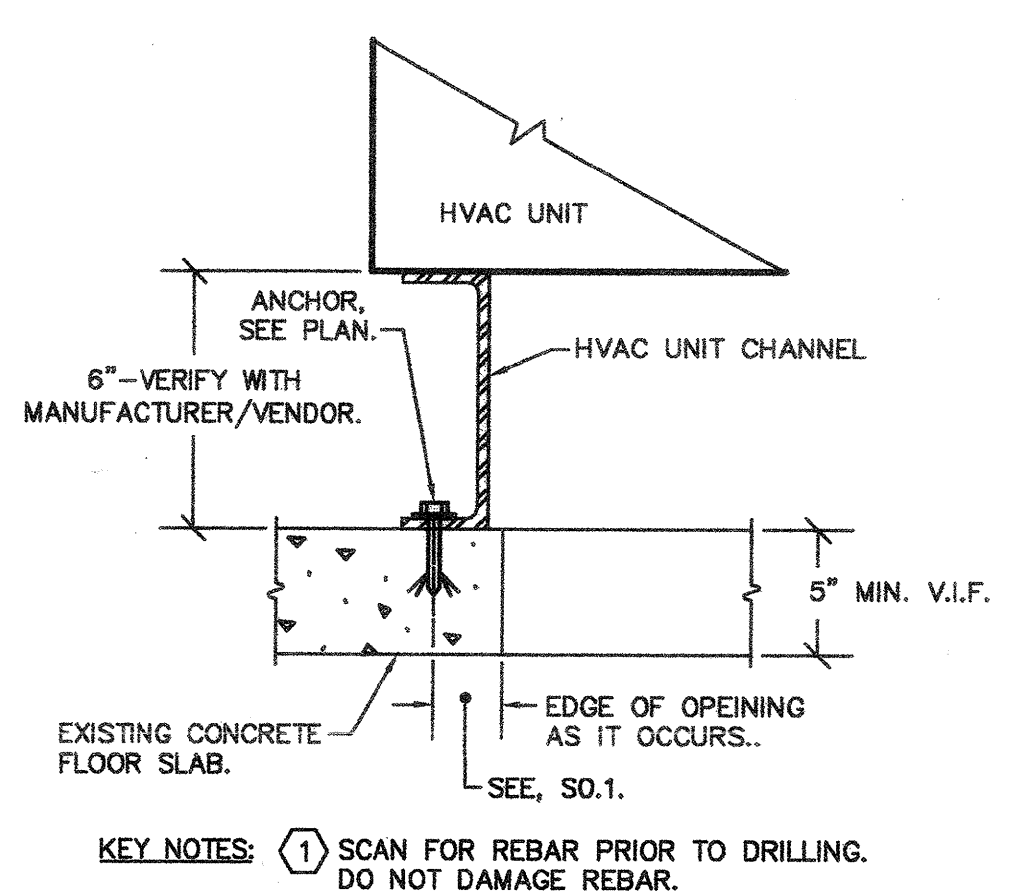
**7 DUCT DETAIL**  
NO SCALE



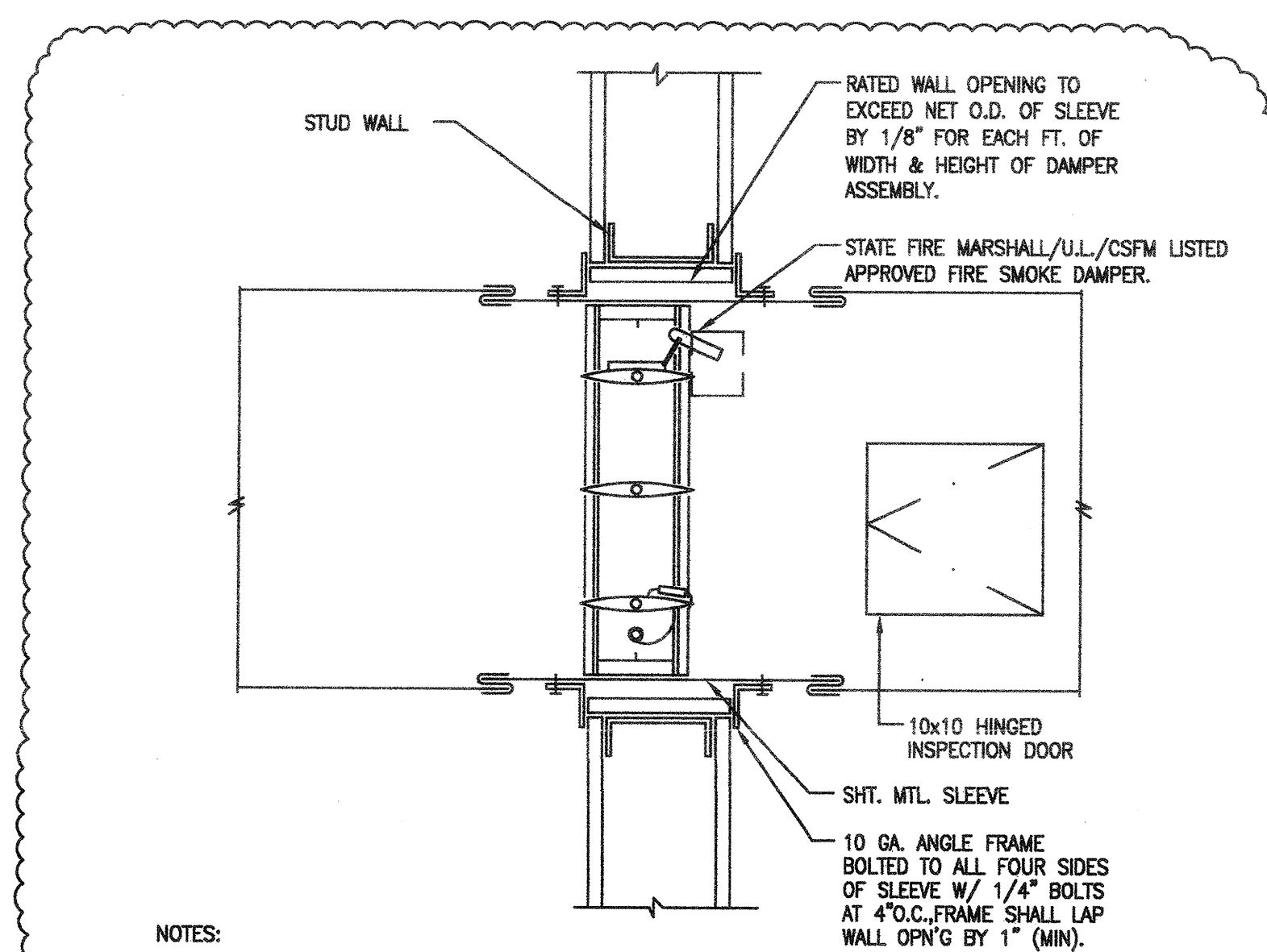
**8 ACOUSTIC TRANSFER AIR BOOT DETAIL**  
NO SCALE



**9 ANCHORAGE DETAIL**  
NO SCALE



DETAIL



**10 FIRE SMOKE DAMPER DETAIL**  
NO SCALE

Bunton Clifford Associates, Inc.  
210 Hammond Ave.  
Fremont, California 94539  
[T] 510.445.1000  
[F] 510.445.1005  
www.BCAincOnline.com

PROJECT 2007-0731  
CONTACT Omar Hawit

**INTERFACE**  
ENGINEERING

717 Market Street  
Suite 500  
San Francisco, CA 94103  
TEL 415.488.7240  
FAX 415.488.7289  
www.interfaceengineering.com

ARCHITECT ENGINEER

REGISTERED ARCHITECT  
STATE OF CALIFORNIA  
No. 021883  
Exp. 08/31/09

REGISTERED PROFESSIONAL ENGINEER  
STATE OF CALIFORNIA  
No. 03082  
Exp. 03/31/2010

1. This sheet is part of a set and is not to be used alone.  
2. This sheet is not to be used for construction unless the architect's stamp and signature appear on the drawings and the status box indicates drawings have been released for construction.  
3. These plans and prints thereof, as instruments of service, are owned by the architect and are for use on the project only. Reproduction and/or distribution without the prior written consent of the architect is forbidden.  
4. Copyright Bunton Clifford Associates, 2007

REVISIONS	DATE
ADDENDUM NO. 1	08/19/08
ADDENDUM NO. 2	11/08/08

DRAWING STATUS	DATE
DSA PLAN CHECK	08/28/08
DSA BACK CHECK	01/22/09
BIDDING (S.D.#86560)	09/19/09
CONSTRUCTION	

FILE NO. 41-C1  
IDENTIFICATION STAMP  
DIV. OF THE STATE ARCHITECT  
01-110074  
AC, PLS, SS  
DATE

**BUILDINGS 5 & 6 RENOVATIONS**

San Mateo County Community College District

**BID ADDENDA**

APPROVED BY THE STATE ARCHITECT  
ACB, PLS, SS, JTB  
NO. 110074 DATE 5/22/10

**CAÑADA COLLEGE**  
4200 Farm Hill Boulevard  
Redwood City, CA 94061

MECHANICAL DETAILS